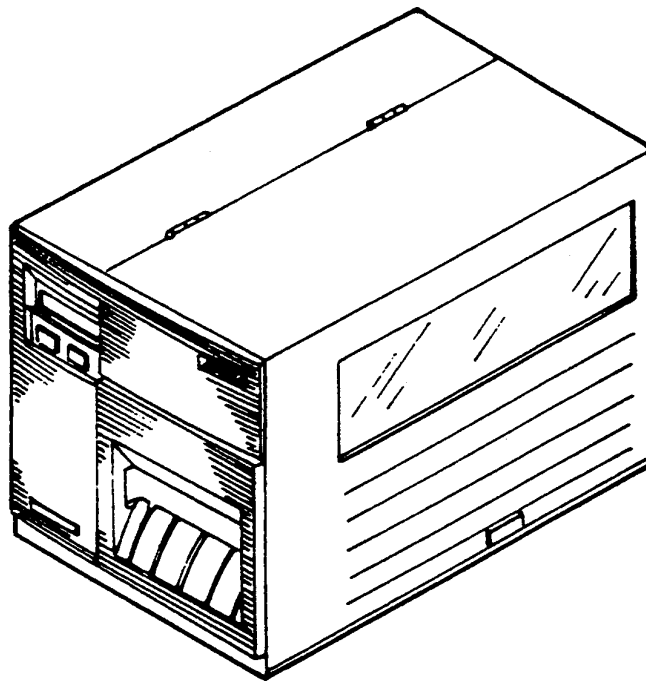




CL408/412 Parts List



SATO America, Inc.
10350-A Nations Ford Rd.
Charlotte, NC 28273
Tel (704) 644-1650
Fax (408) 644-1661

P/N 9001036 REV. C

**Copyright 1996
SATO America, Inc.
Charlotte, NC 28273**

All rights reserved. No part of this document may be reproduced or issued to third parties in any form without the express permission of SATO America, Inc. The materials in this document are provided for general information and are subject to change without notice. Sato America, Inc. assumes no responsibility for any errors that may appear.

CL408

<u>Description</u>	<u>Page #</u>
Base Cover Assembly	4-10
Frame Assembly	11-13
Thermal Head Assembly	14-16
Ribbon Assembly	17-20
Main PCB Assembly	21-21
Serial Port Option	22-22
Parallel Port Option	23-23
Memory Card Assembly (Option)	24-24
Dispenser Assembly (Option)	25-29
Cutter Assembly (Option)	30-30

CL408/412

Base Cover Assembly			
Item #	Part Number	Description	Qty
01	PR3770400	Base frame, Use for S/N 61273050 and Lower	1
02	PT6680100	Rubber foot	4
03	PZ0770200	Center frame	1
04	MD4401021	Pan head screw	5
05	PA1771000	Lid	1
06	MD4300621	Pan head screw	4
07	PE1770200	Roller bracket	1
08	PE3770100	Roller (3.1x8x16)	1
09	PB0770100	Post	1
10	PE8770100	Gear (1x34)	1
11	ND0040030	E-snap ring	1
12	MD4401021	Pan head screw	1
13	PB0770400	Post	1
14	PA3741800	Tension bracket	1
15	PB0740900	Shaft (Tension roller)	1
16	PC0740100	Spring (Tension)	1
17	PE3720100	Tension roller	1
18	MD4401021	Pan head screw	1
19	MA0301421	Pan head screw	1
20	MT1300522	Hex nut	1
21	ND0040030	E-snap ring	3
22	PA1772200	PCB bracket	1
23	MD4300621	Pan head screw	2
24	PZ0770100	Rear cover	1
25	MD4300621	Pan head screw	6
26	PE6770800	Memory card cover	1
27	MD4300621	Pan head screw	2
28	PH3683802	Lid	1
29	PT9520100	Nylon rivet	2
30	PA1772100	Guide plate	1
31	MD4300621	Pan head screw	4
32	PA1773500	Unwind bracket	1
33	PA4520300	Stopper spring	1
34	PE1720300	Label stopper	1
35	MH0300821	P-tight screw	1
36	NA1030022	Plain washer	1
37	MD4300621	Pan head screw	4
38	PA1773300	Motor bracket, Use for S/N 61273050 and Lower	1
39	MD4401021	Pan head screw	2
40	PL1770100	Motor pulley, CL408 only	1

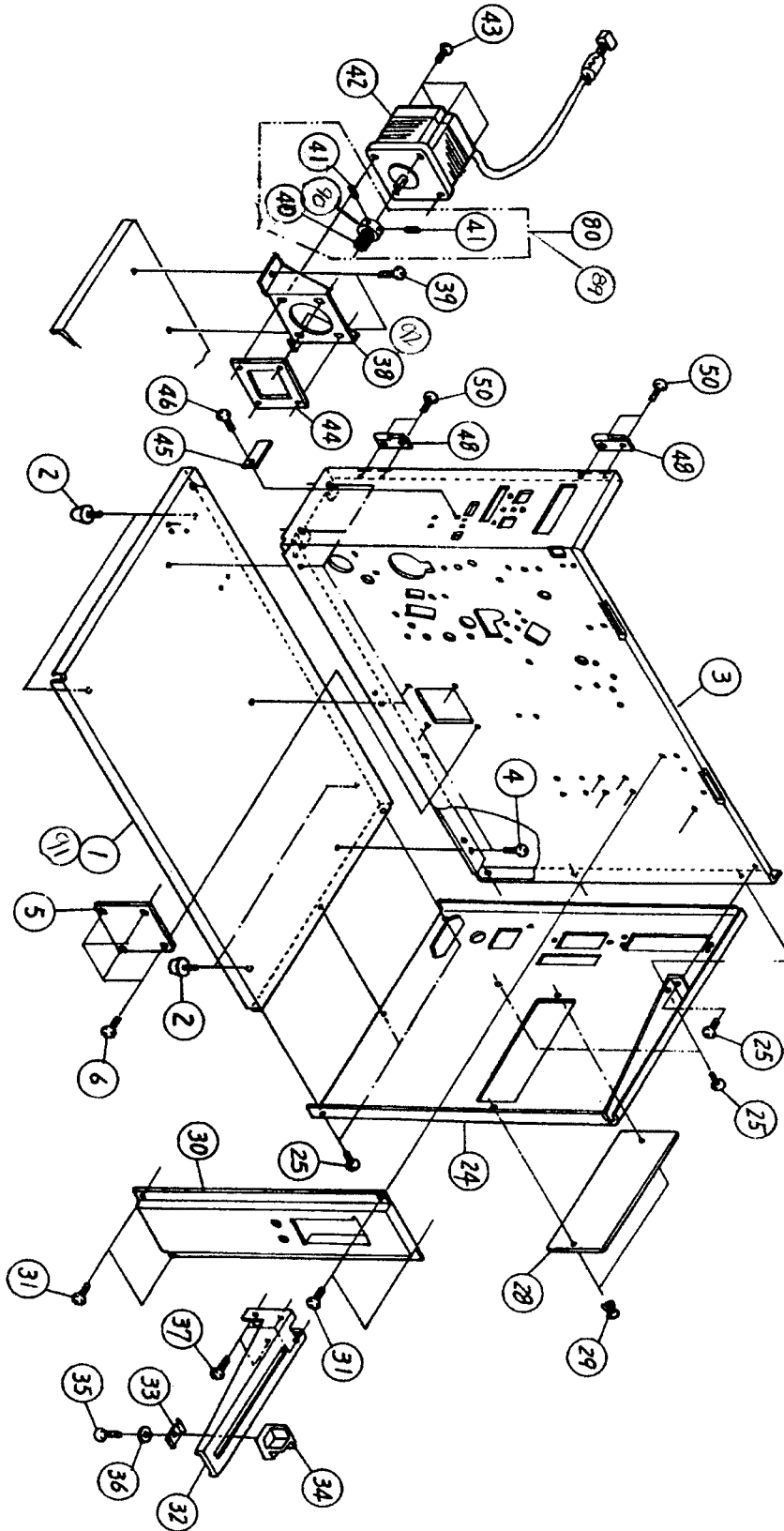
CL408/412

Base Cover Assembly			
Item #	Part Number	Description	Qty
41	MJ1400524	W-point screw	2
42	RH1770300	Stepping motor	1
43	MD3401221	Pan head screw	4
44	PA1771400	Plate nut	1
45	PE6770200	Connector cover	1
46	MD4300621	Pan head screw	1
47	PZ0770400	Front cover	1
48	PT3770100	Hinge	2
49	MH1300821	P-tight screw	4
50	MA1300622	Flat head screw	4
51	PE6770400	Lens	1
52	PR7770500	Front cover SET	1
53	PE6770300	Switch button	1
54	MH0300821	P-tight screw	2
55	PZ0770300	Logo plate	1
56	PR1340500	Anti static brush	1
57	PA1773000	Latch bracket	1
58	MH0300821	P-tight screw	2
59	PR3770100	Cover RH	1
60	PH2720100	Window	1
61	MT1300522	Hex nut	2
62	NA1030022	Plain washer	2
64	MD4300621	Pan head screw	2
65	PA1772900	Sensor slit	1
66	MD4300621	Pan head screw	1
67	PH1770100	Cover LH	1
68	MD4300621	Pan head screw	4
69	KA500631A	Power supply unit (115V)	1
71	MD4300821	Pan head screw	3
72	RH1770000	POW 1 cable	1
73	RH1770600	POW 2 cable	1
74	RJ1771700	KB PCB assy (115V)	1
76	RH1770500	KB cable set	1
77	PE6770600	KB protector	1
78	MD4300621	Pan head screw	3
79	PE6770700	Cable protector	1
80	PR7770300	Motor pulley Assy, CL408 only	1
81	PR7770400	Guide roller	1
82	PA1774300	Lid	1
83	PA6685400	Nut plate	1

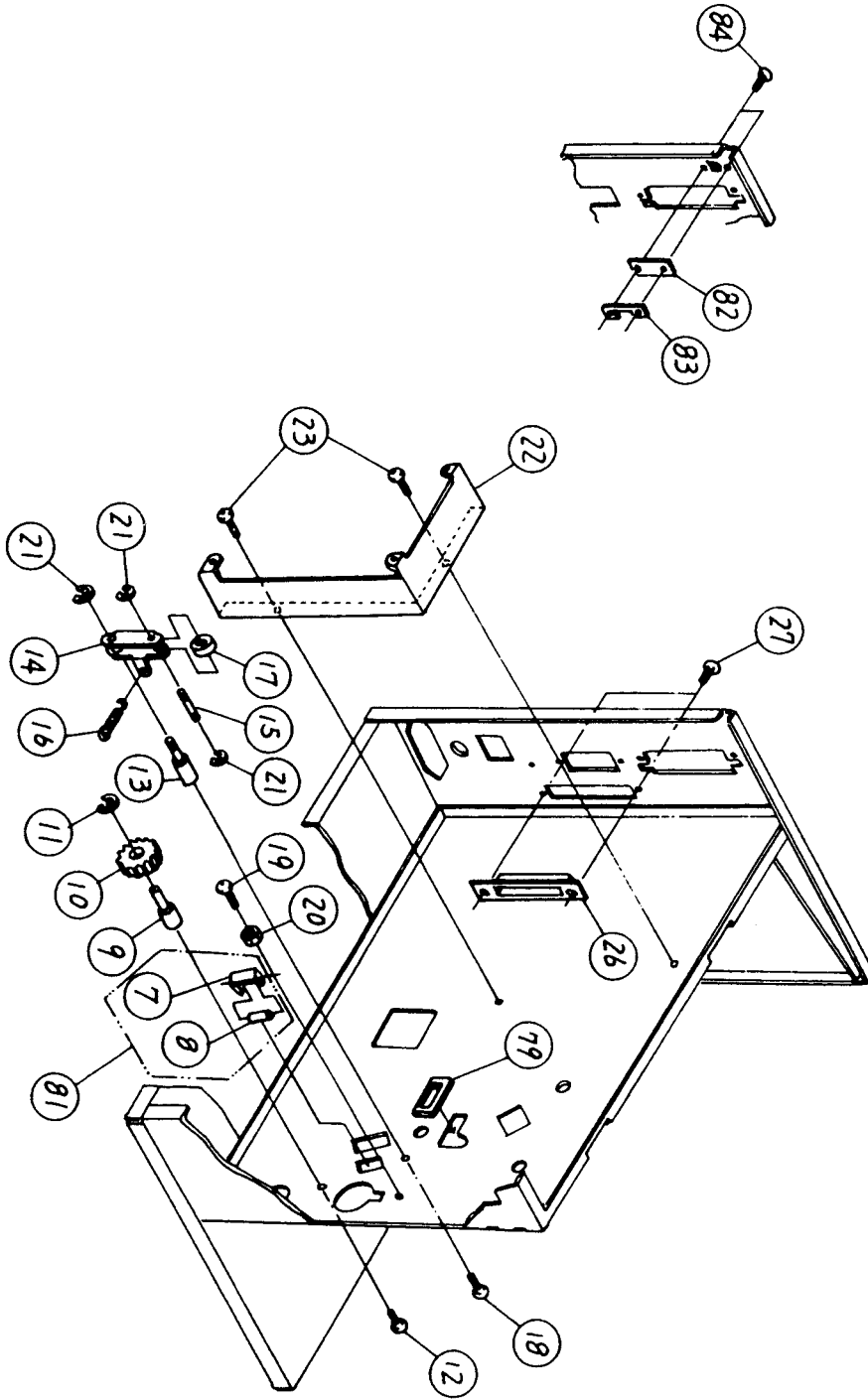
CL408/412

Base Cover Assembly			
Item #	Part Number	Description	Qty
84	MD3201221	Pan head screw	2
85	PA1772900	Sensor slit	1
86	MH0300821	P-tight screw	1
87	HD100321A	Fuse (250V 3.15A)	1
88	MD4300621	Pan head screw	2
89	PR7771100	Motor pulley Assy, CL412 only	1
90	PL1770200	Motor pulley, CL412 only	1
91	PR3770500	Base Frame, Use for S/N 70172001 and Higher	1
92	PA2770200	Motor Bracket, Use for S/N 70172001 and Higher	1
93	NA1030022	Plain Washer	2

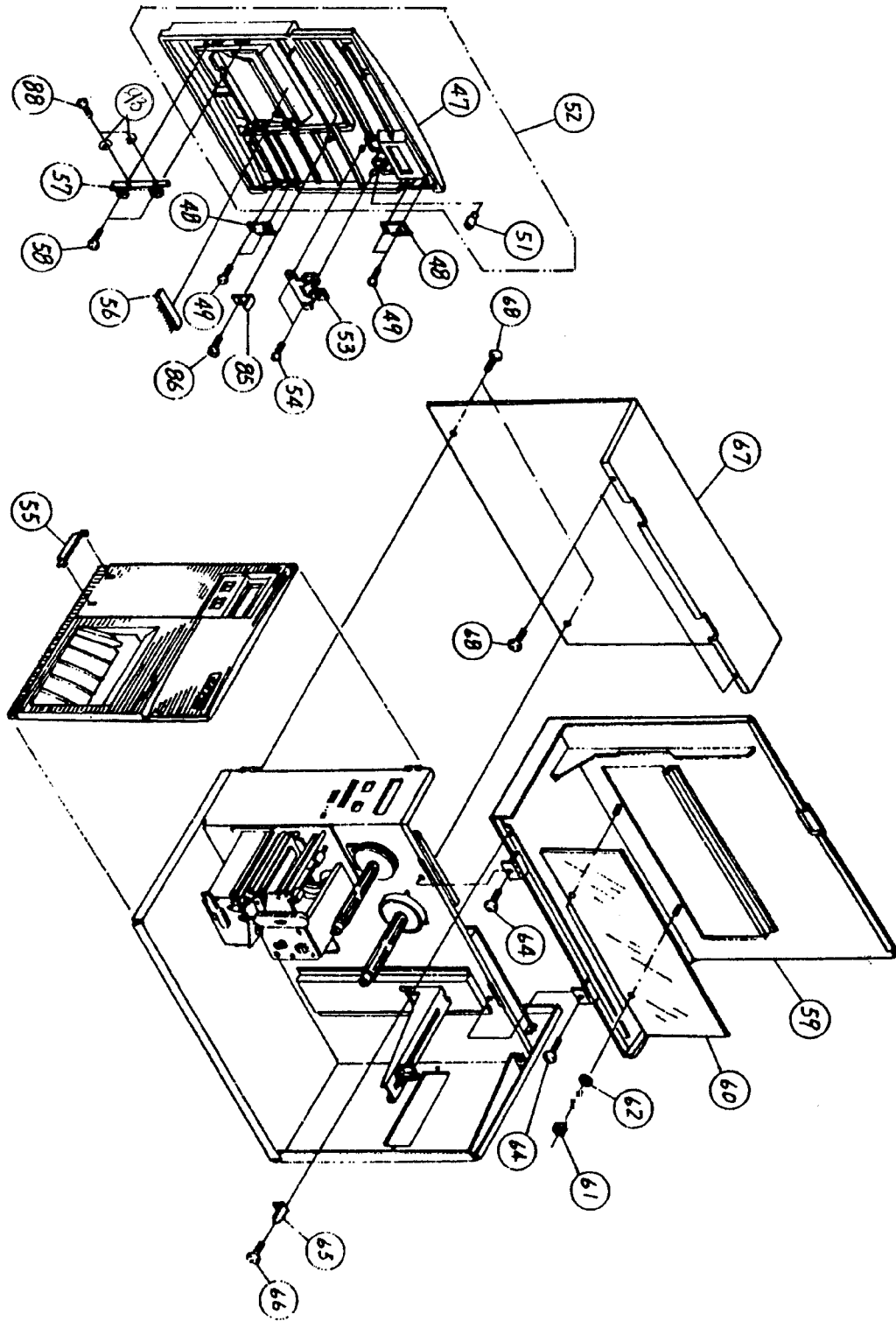
Base Cover Assembly



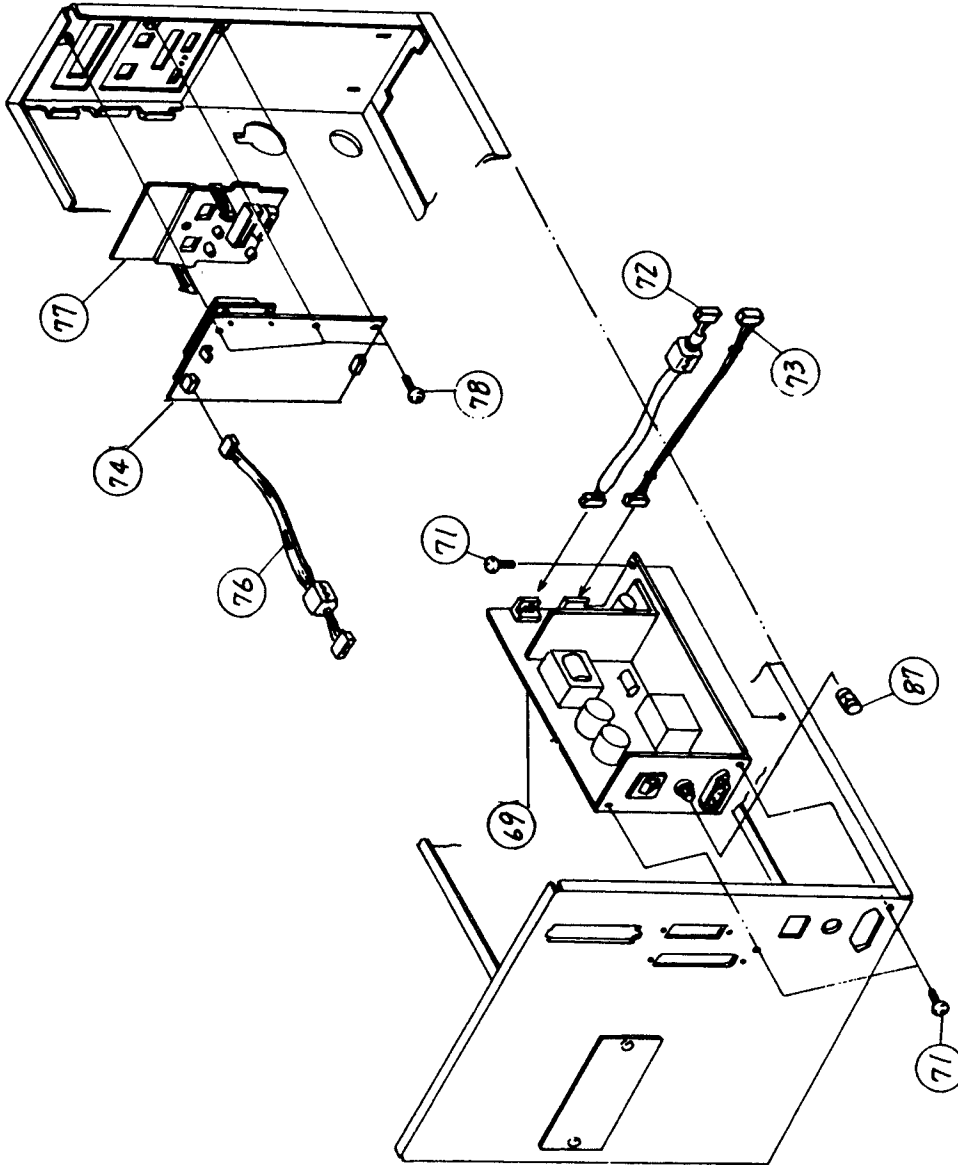
Base Cover Assembly



Base Cover Assembly



Base Cover Assembly



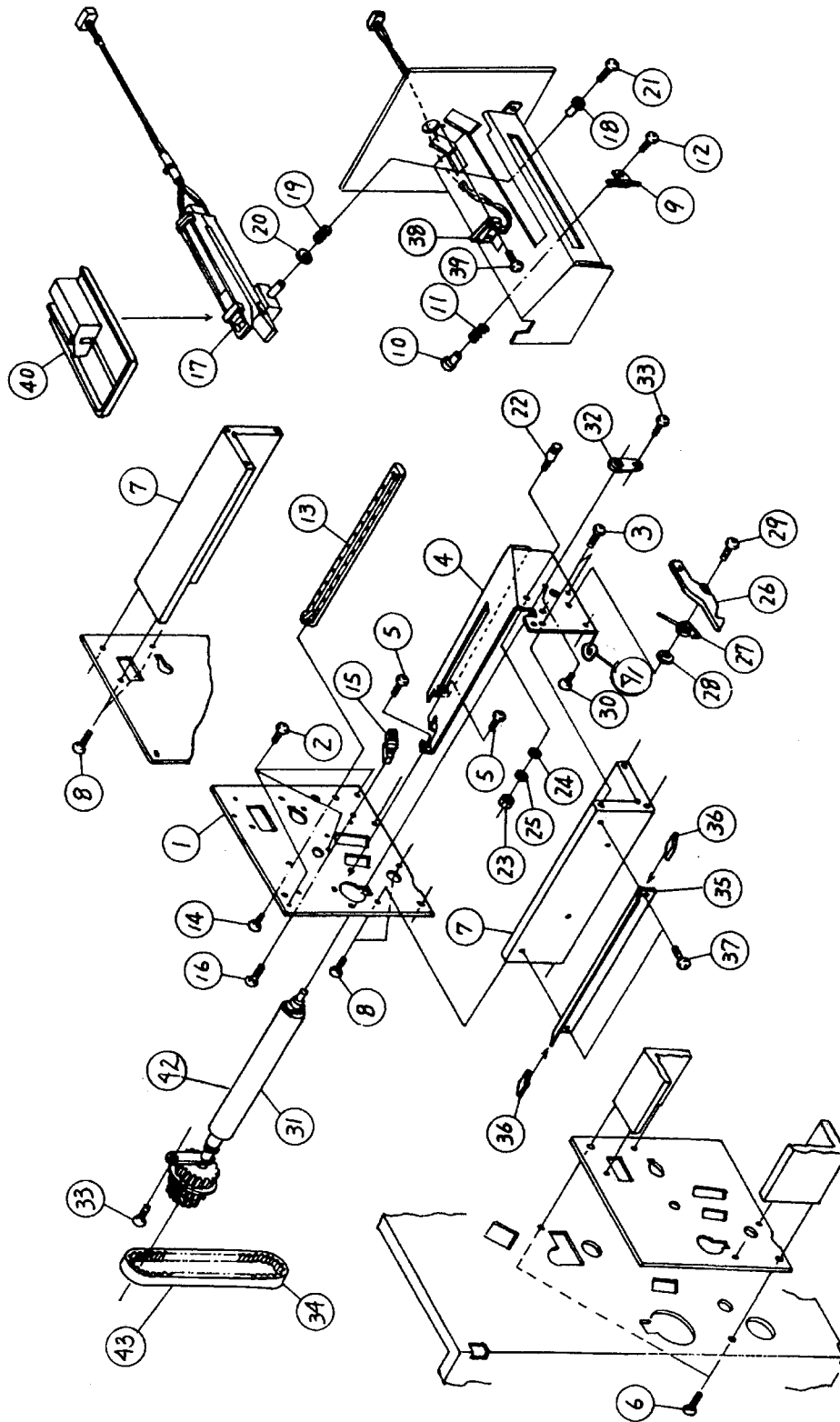
CL408/412

Frame Assembly			
Item #	Part Number	Description	Qty
01	PA1772700	Engine frame	1
02	MD4300621	Pan head screw	3
03	MD3401021	Pan head screw	2
04	PA1772800	Side frame	1
05	MD4300621	Pan head screw	2
06	MD4401021	Pan head screw	2
07	PD1770100	Stay	2
08	MD4401021	Pan head screw	4
09	PA1773100	Guide plate	1
10	PB2770200	Collar (M3x6x9.5F)	1
11	PC1770100	Spring (Guide)	1
12	MD4301422	Pan head screw	1
13	PE5680000	Guide shaft	1
14	MH0301221	P-tight screw	1
15	PE1770300	Guide block	1
16	MH0300821	P-tight screw	1
17	PR7770100	Pitch sensor sub	1
18	PE2770500	Collar	1
19	PC1770100	Spring (Guide)	1
20	PE2770400	Collar (6x9x1)	1
21	MH0300821	P-tight screw	1
22	PB0770500	Post	1
23	MT1400722	Hex nut	1
24	NA1040022	Plain washer	1
25	NB0040022	Spring washer	1
26	PE1770400	Latch handle	1
27	PC2770100	Spring (Latch handle)	1
28	PB2770100	Collar (4x6x8.7)	1
29	MD4401421	Pan head screw	1
30	MD4300821	Pan head screw	1
31	PR7770200	Platen, CL408 only	1
32	PA1770800	Clamp (B)	1
33	MD4300621	Pan head screw	2
34	PT8127064	Timing belt, CL408 only	1
35	PA1773200	Tear-off cutter	1
36	PE1770800	Cutter protector	2
37	MD4300821	Pan head screw	2
38	RH1770800	Head open SW	1
39	MD4201221	Pan head screw	2

CL408/412

Frame Assembly			
Item #	Part Number	Description	Qty
40	PE6770900	Paper guide	1
41	NA1030022	Plain Washer	1
42	PR7771000	Platen Roller, CL412 only	1
43	PT8130064	Timing belt, CL412 only	1

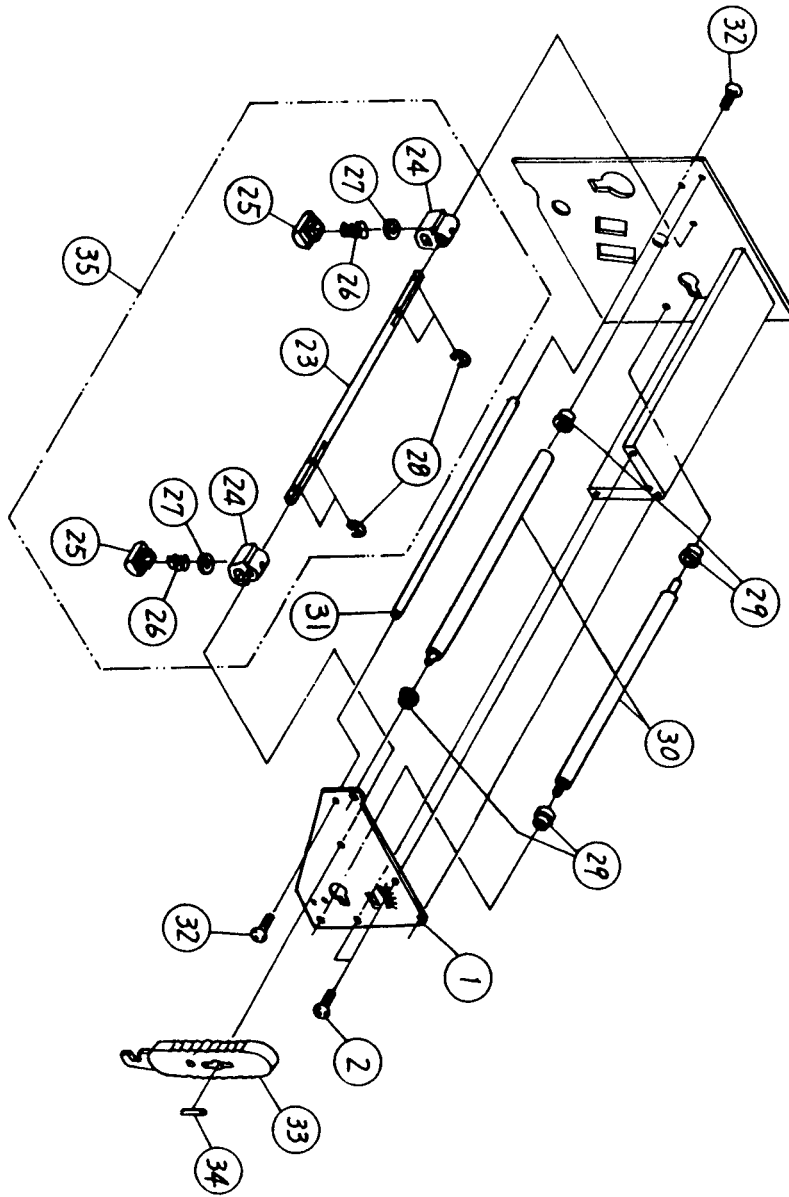
Frame Assembly



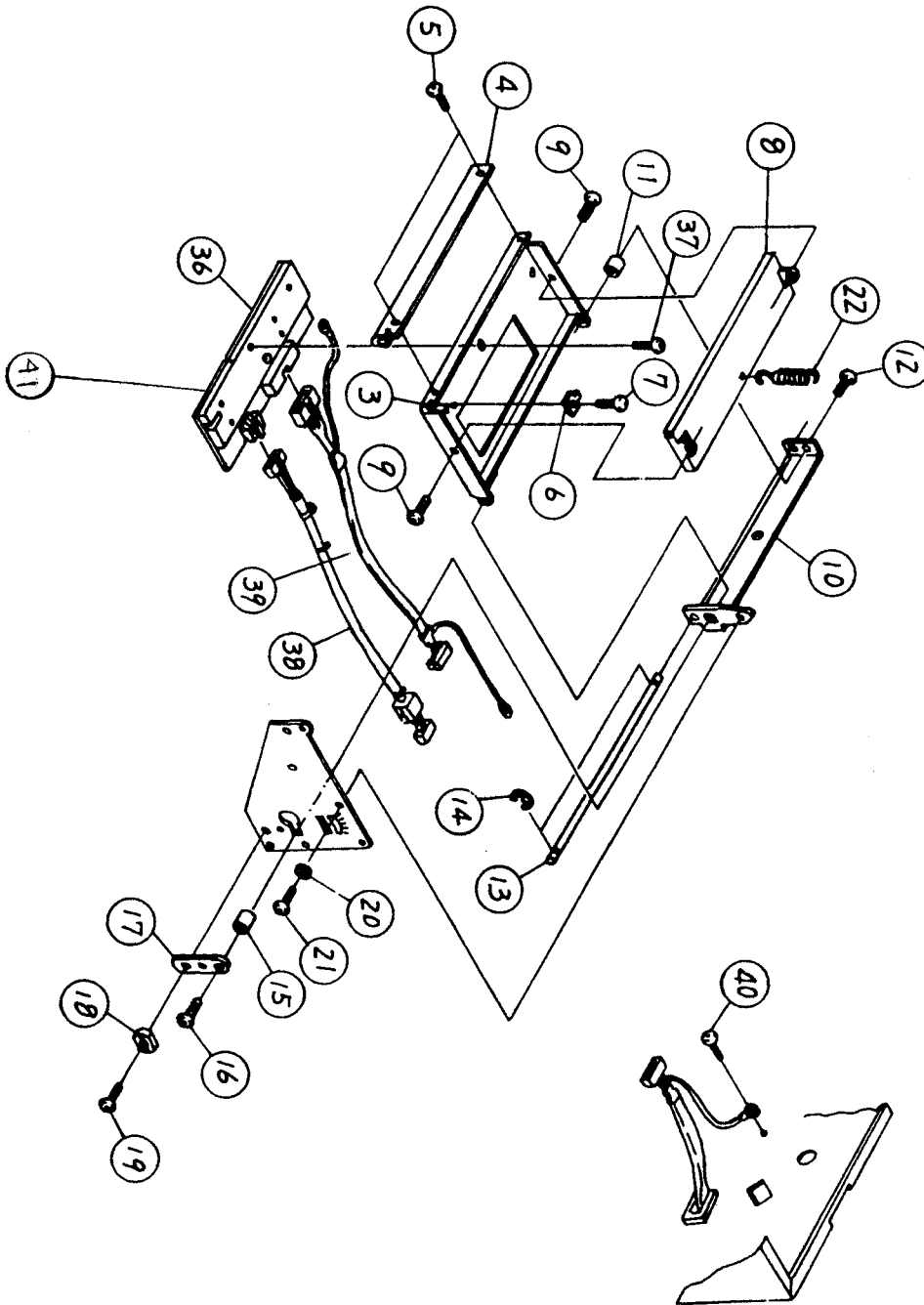
CL408/412

Thermal Head Assembly			
Item #	Part Number	Description	Qty
01	PA1772000	Head frame	1
02	MD4401021	Pan head screw	2
03	PA1772500	Head bracket	1
04	PA1771900	Plate (Ribbon adjust)	1
05	MD4300621	Pan head screw	2
06	PA1772300	Adjust plate (A)	1
07	MD4300621	Pan head screw	1
08	PA1771800	Head sub bracket	1
09	MD4300621	Pan head screw	2
10	PA1770600	Adjust plate (B)	1
11	PB2770300	Collar (4x6x7.2F)	1
12	MA0401021	Pan head screw	1
13	PB0770700	Shaft (Head adjust)	1
14	ND0020030	E-snap ring	2
15	PB2770100	Collar (4x6x8.7)	1
16	MD4401421	Pan head screw	1
17	PA1771500	Adjust plate	1
18	PL2720100	Adjust collar	1
19	MD4300821	Pan head screw	1
20	NA1040022	Plain washer	1
21	MD4300821	Pan head screw	1
22	PC0770100	Spring	1
23	PB0770600	Shaft (Head pressure)	1
24	PE1740100	Head pressure bracket	2
25	PE1740200	Head tension pin	2
26	PC1770200	Spring (head)	2
27	PA0740100	Pressure plate	2
28	ND0060030	E-snap ring	4
29	PE2770300	Collar (6x8x4F)	4
30	PB3770100	Roller (6x12x143)	2
31	PB0770300	Shaft (Support)	1
32	MD4300621	Pan head screw	2
33	PR7770600	Latch handle	1
34	NG2201230	Pin	1
35	PR7770700	Head pressure set	1
36	GH000531A	Thermal head, CL408 only	1
37	MD4300621	Pan head screw	1
38	RH1770100	HDP cable	1
39	RH1770200	HDS cable	1
40	MD4300621	Pan Head Screw	1
41	GH000521A	Thermal head, CL412 only	1

Thermal Head Assembly



Thermal Head Assembly



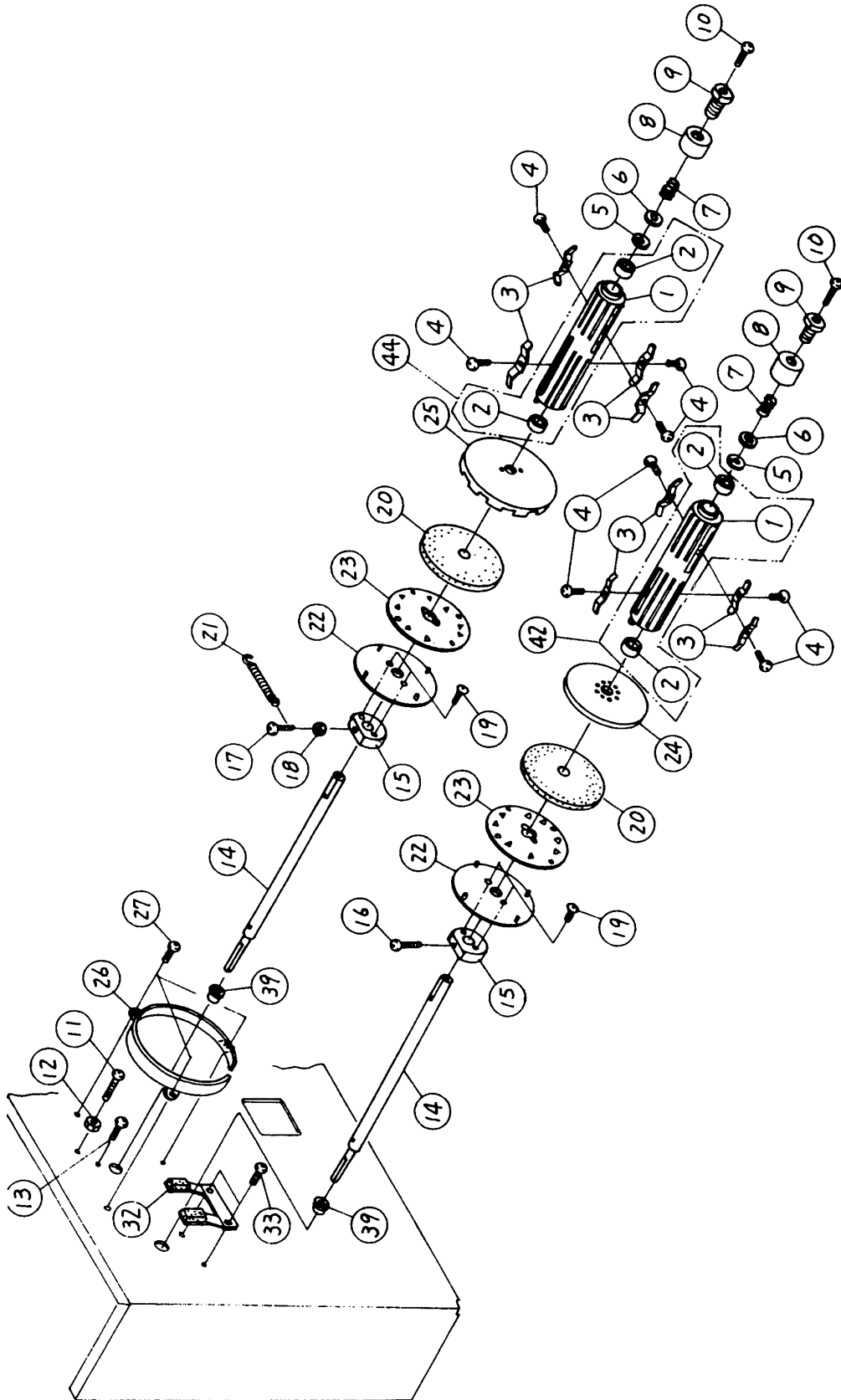
CL408/412

Ribbon Assembly			
Item #	Part Number	Description	Qty
01	PE4730100	Ribbon boss	2
02	PE2720100	Collar (10x12x10)	4
03	PA4690900	Spring	8
04	MH0300521	P-tight screw	8
05	PT2301020	Oilless dry metal	2
06	PA0680400	Disc	2
07	PC1730100	Spring	2
08	PE2730100	Stopper collar	2
09	PB5730100	Adjust screw	2
10	MA0303022	Pan head screw	5
11	MA1300822	Flat head screw	1
12	MT1300522	Hex nut	1
13	MD4300621	Pan head screw	1
14	PB0740602	Ribbon (Shaft)	2
15	PE4720200	Plate holder boss	2
16	MA0301821	Pan head screw	1
17	MA0302522	Pan head screw	1
18	MT1300522	Hex nut	1
19	MH1250621	P-tight screw	4
20	PA0680300	Lining	2
21	PC0740200	Spring	1
22	PA0730100	Guide plate	2
23	PA0730200	Hold plate	2
24	PE1681100	Guide plate (B)	1
25	PE7720100	Disc plate (A)	1
26	PE6720100	Disc plate cover	1
27	MD4300621	Pan head screw	3
28	PA1770500	Sensor bracket	1
29	MD4300621	Pan head screw	1
30	MA0300621	Pan head screw	2
31	RH1740400	Ribbon sensor (SEN4)	1
32	PR4740100	Spring	1
33	MD4300621	Pan head screw	2
34	PA1772600	Ribbon frame	1
35	MD4300621	Pan head screw	4
36	PA1771700	Adjust plate	2
37	MD4300621	Pan head screw	4
38	MD4401021	Pan head screw	2
39	PT1112080	Ball supporter	4
40	PR1720400	Pulley (50)	1

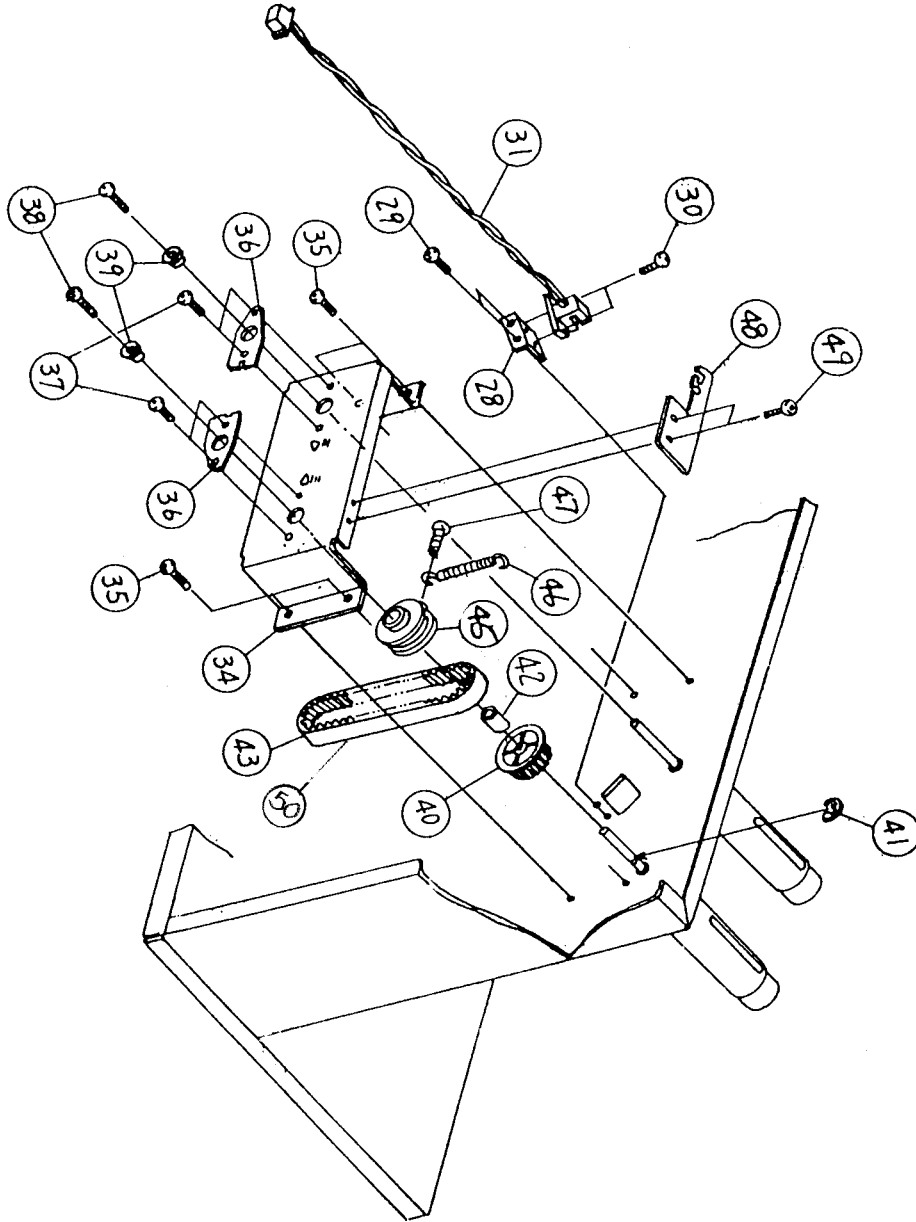
CL408/412

Ribbon Assembly			
Item #	Part Number	Description	Qty
41	ND0060030	E-snap ring	1
42	PE2770600	Collar (8x10x19)	1
43	PT8170064	Timing belt, CL408 only	1
44	PR1730900	Ribbon boss	2
45	PR1770100	Pulley	1
46	PC0740200	Spring	1
47	MH0300821	P-tight screw	1
48	PA2771300	Spring bracket	1
49	MD4300621	Pan head screw	2
50	PT8155064	Timing belt, CL412 only	1

Ribbon Assembly

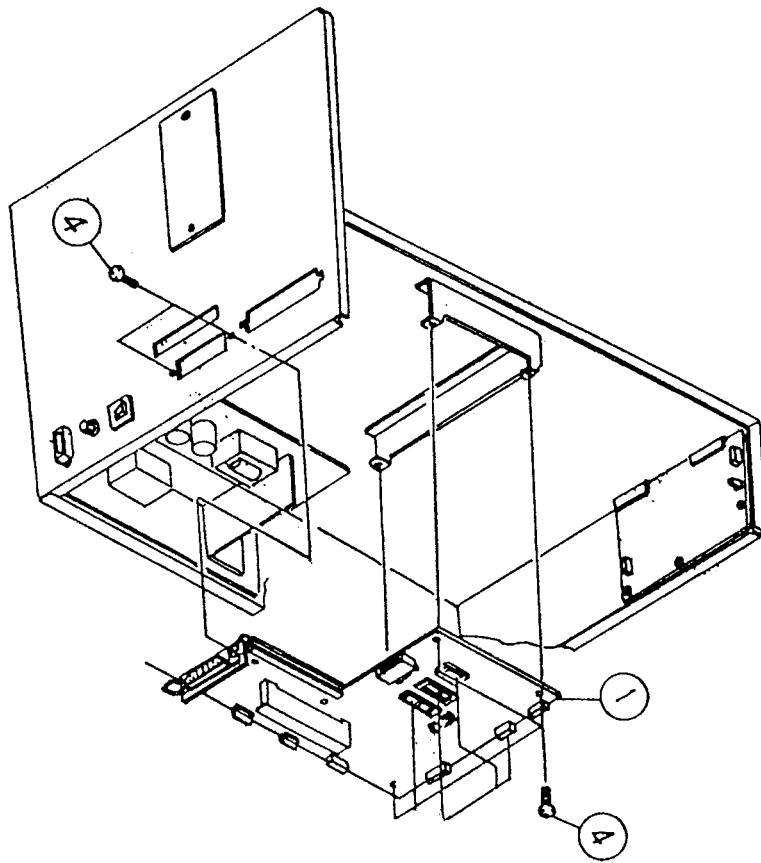


Ribbon Assembly



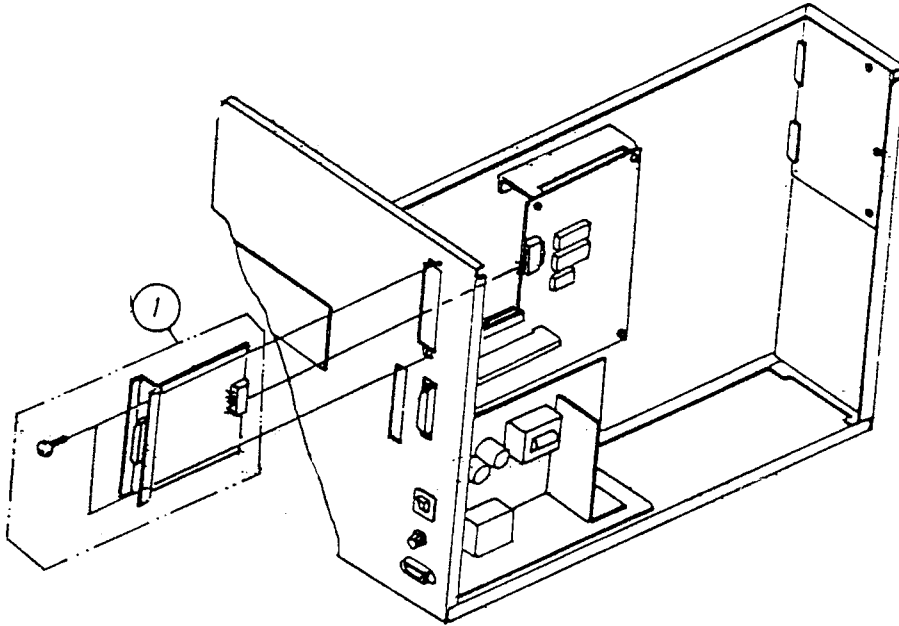
CL408/412

Main PCB Assembly			
Item #	Part Number	Description	Qty
01	RJ1770201	Main PCB sub assy(W/O ROM)	1
04	MD4300621	Pan head screw	5

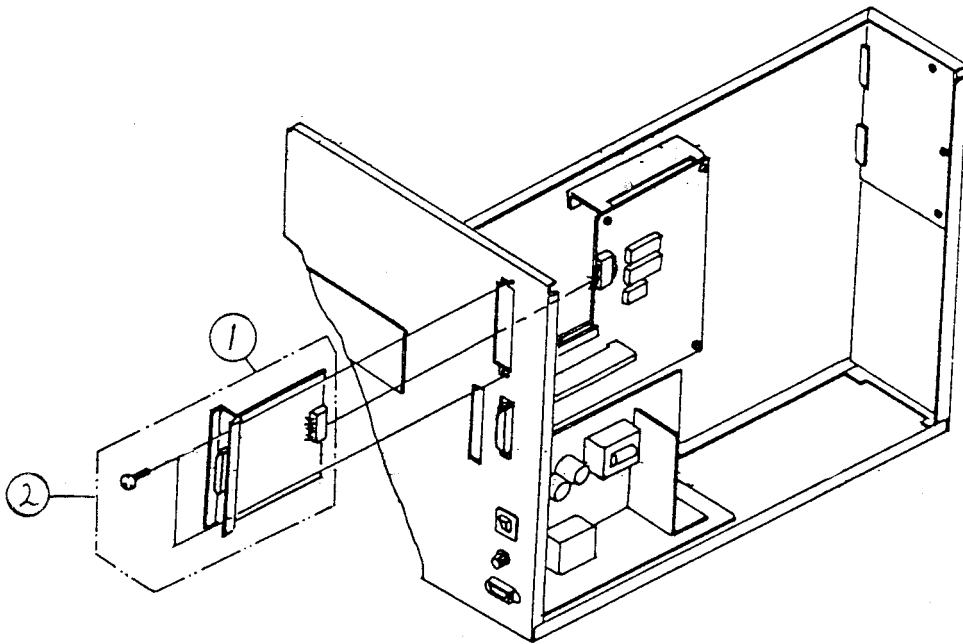


CL408/412

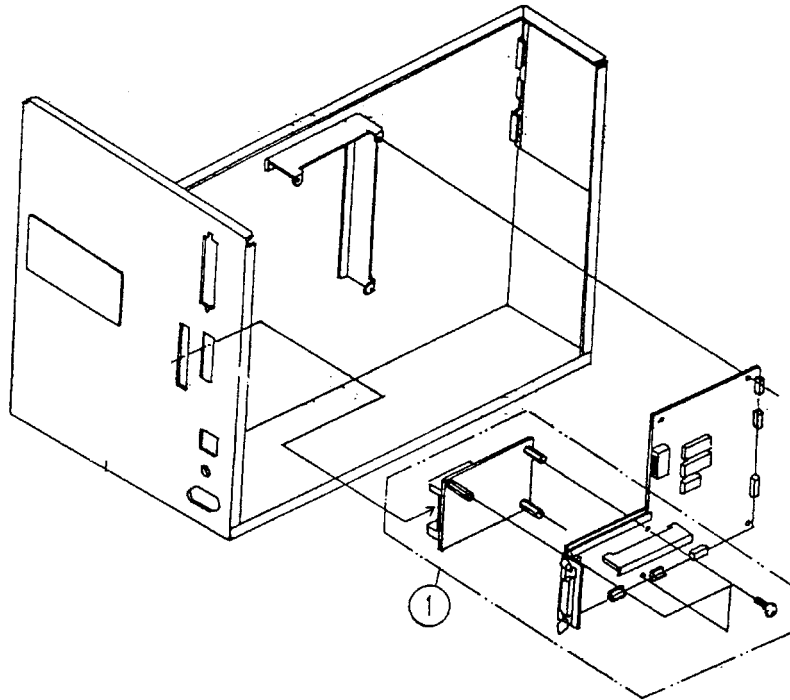
Serial Port Option			
Item #	Part Number	Description	Qty
01	RJ1772200	RS232C I/F assy	1



Parallel Port Option			
Item #	Part Number	Description	Qty
01	RJ1772001	Centronics I/F assy	1
02	MD4300621	Pan head screw	2



Memory Card Assembly			
Item #	Part Number	Description	Qty
01	RJ1773001	Card PCB assy	1



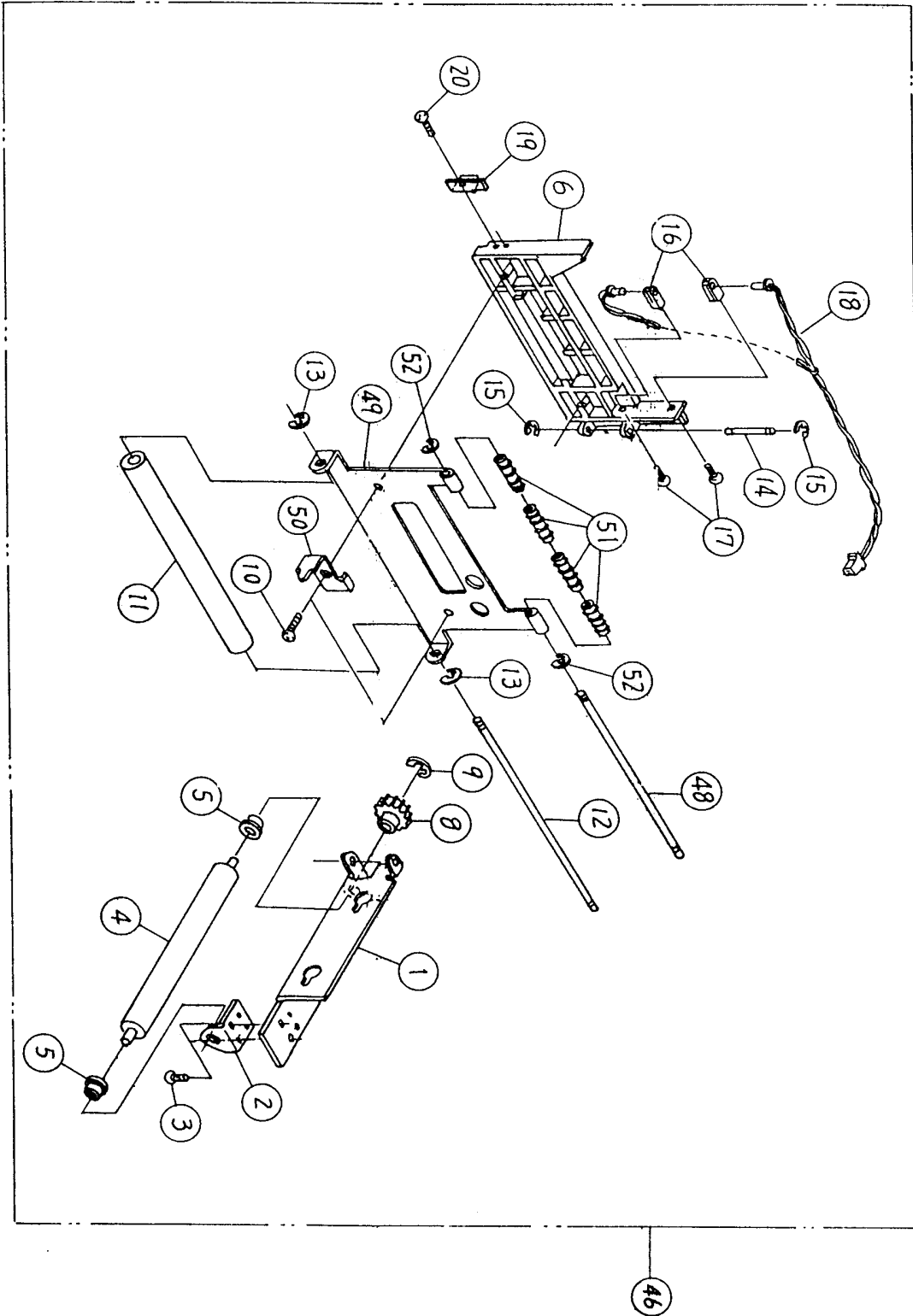
CL408/412

Dispenser Assembly			
Item #	Part Number	Description	Qty
01	PA1774100	Dispense frame	1
02	PA1770700	Roller bracket	1
03	MD4300621	Pan head screw	2
04	PR0770100	Dispense roller	1
05	PT1112060	Ball supporter	2
06	PE1770900	Dispense bracket	1
08	PE8770300	Gear (1x33)	1
09	ND0040030	E-snap ring	1
10	MH0300821	P-tight screw	2
11	PR1520200	Pressure roller	1
12	PB0770200	Shaft (Pressure)	1
13	ND0040030	E-snap ring	2
14	PB0770900	Shaft (Dispense)	1
15	ND0020030	E-snap ring	2
16	PE1570300	Dispense sensor bracket	2
17	MH0250621	P-tight screw	2
18	RH1772100	Dispense cable	1
19	PA1774200	Latch bracket	1
20	MH0300821	P-tight screw	1
21	MD4300821	Pan head screw	2
22	PT9689000	Magnet	1
23	MH1300621	P-tight screw	1
24	MH4300821	S-tight screw	2
25	NA1003022	Plain washer	2
26	PB0770800	Shaft (Rewind)	1
27	PE4770100	Rewind core	1
28	PE4770200	Rewind boss	1
29	MD4301221	Pan head screw	1
30	ND0060030	E-snap ring	1
31	PE1520700	Handle	1
32	PA1774000	Rewind frame	1
33	MD4300621	Pan head screw	3
34	PA1773900	Rewind plate	1
35	MD4300621	Pan head screw	4
36	PE8770400	Pulley (50)	1
37	PA0770100	Frangé	1
38	PJ4770100	Facing (9x26x2)	2
39	PE7770100	Frangé (8x26)	1
40	PC1770400	Spring (Rewind)	1
41	PE2770800	Collar (Spring)	1

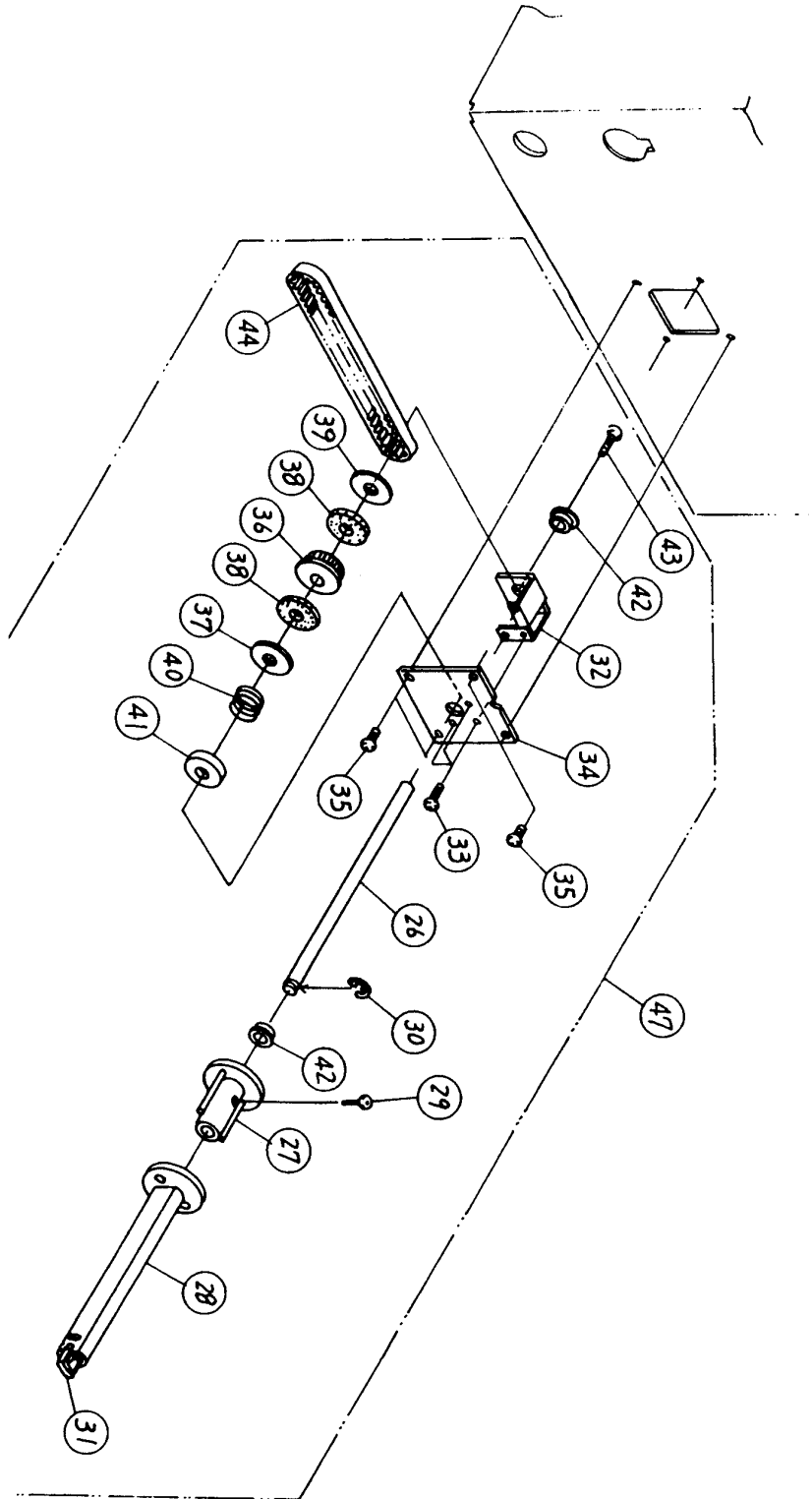
CL408/412

Dispenser Assembly			
Item #	Part Number	Description	Qty
42	PT1112080	Ball supporter	2
43	MD4401021	Pan head screw	1
44	PT8155064	Timing belt	1
46	PR7773100	Dispense sub unit	1
47	PR7773000	Rewind sub unit	1
48	PB0771200	Shaft	1
49	PA1774700	Dispenser Plate	1
50	PA2770100	Bracket, Stopper	1
51	PE3520600	Dispenser Roller	4
52	ND0020030	E-Ring, E2	2
53	PT9681600	Spacer	2

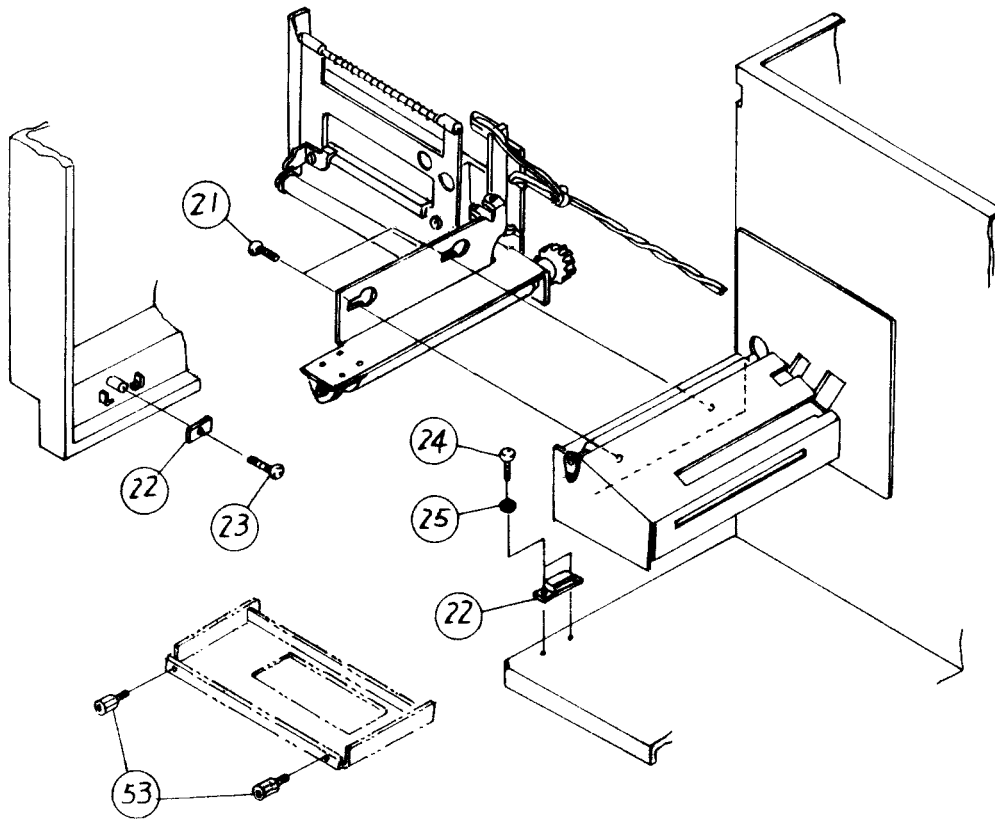
Dispenser Assembly



Dispenser Assembly



Dispenser Assembly



CL408/412

Cutter Assembly			
Item #	Part Number	Description	Qty
01	PR7772000	Cutter set	1
02	MD4300621	Pan head screw	2
03	PA1770400	Cutter bracket	1
05	MH0300821	P-tight screw	2
06	PB0771000	Post (M3x6x19)	1
07	MD4300621	Pan head screw	1
08	RJ1773600	Cutter PCB set	1
09	MD4300621	Pan head screw	2
10	RH1772000	Cutter cable	1

