

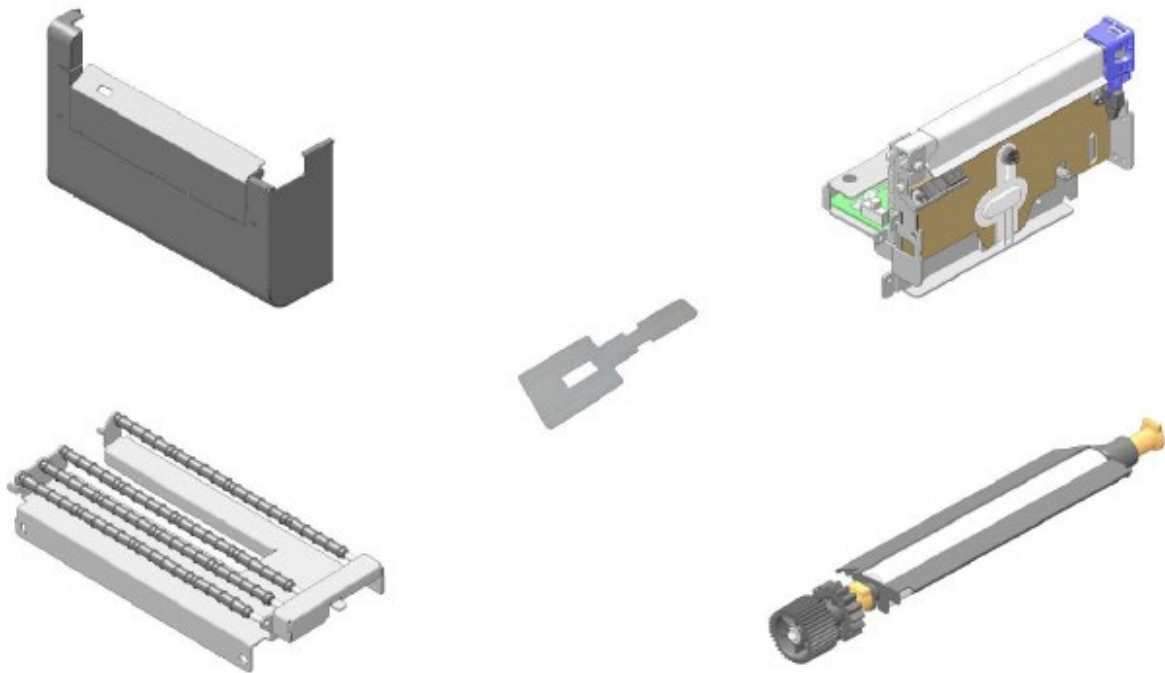


# Linerless Kit Parts List

Item# WWCL05110

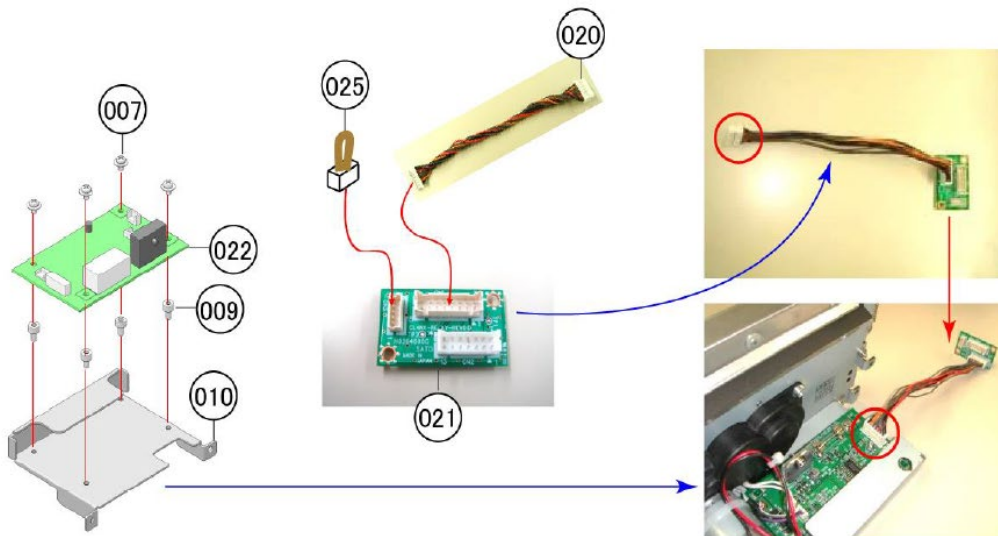
For printer model:

**CL4NX**



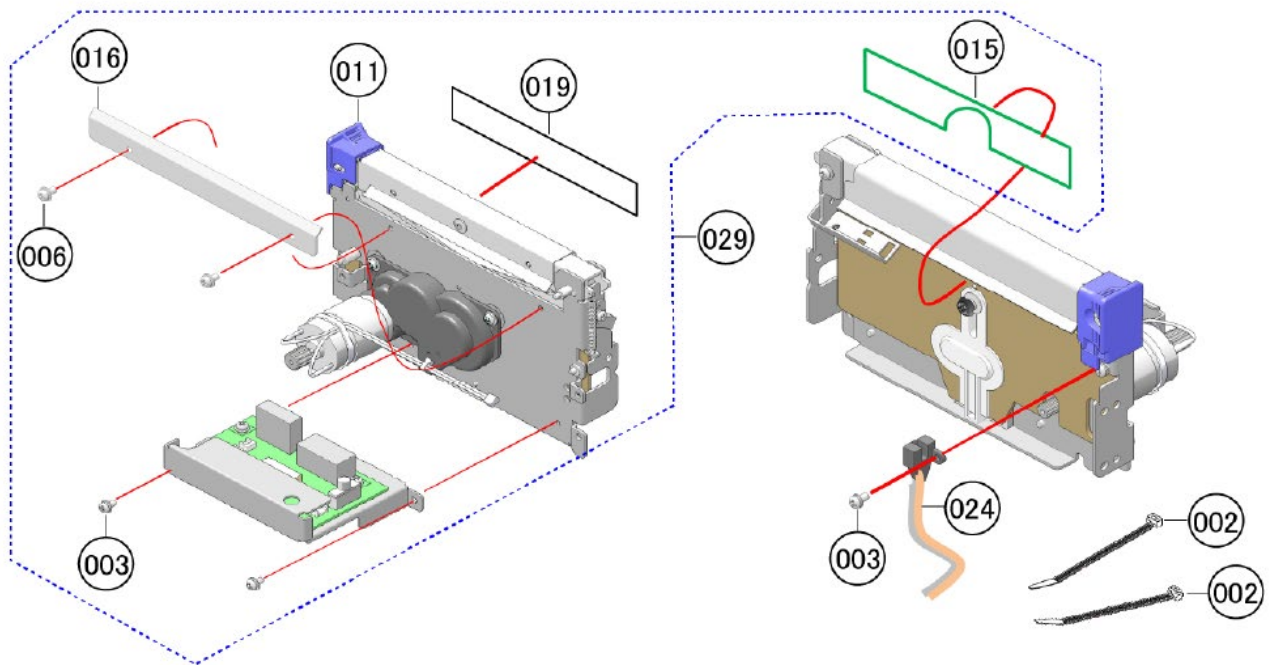
No	Part No.	Description
7	MD4300622	PAN HEAD SCREW+SW+WL
9	P24161000	SPACER (M3*L5)
10	P54802000	CT PCB BR
20	R28591000	CUTTER CABLE SET-LF
21	R29115000	RELAY PCB ASSY
22	R29124000	CL4NX CUT PCB ASSY -LF
25	R32300600	NONSEPA ID CABLE SET-LF

Fig 01, Cutter PCB



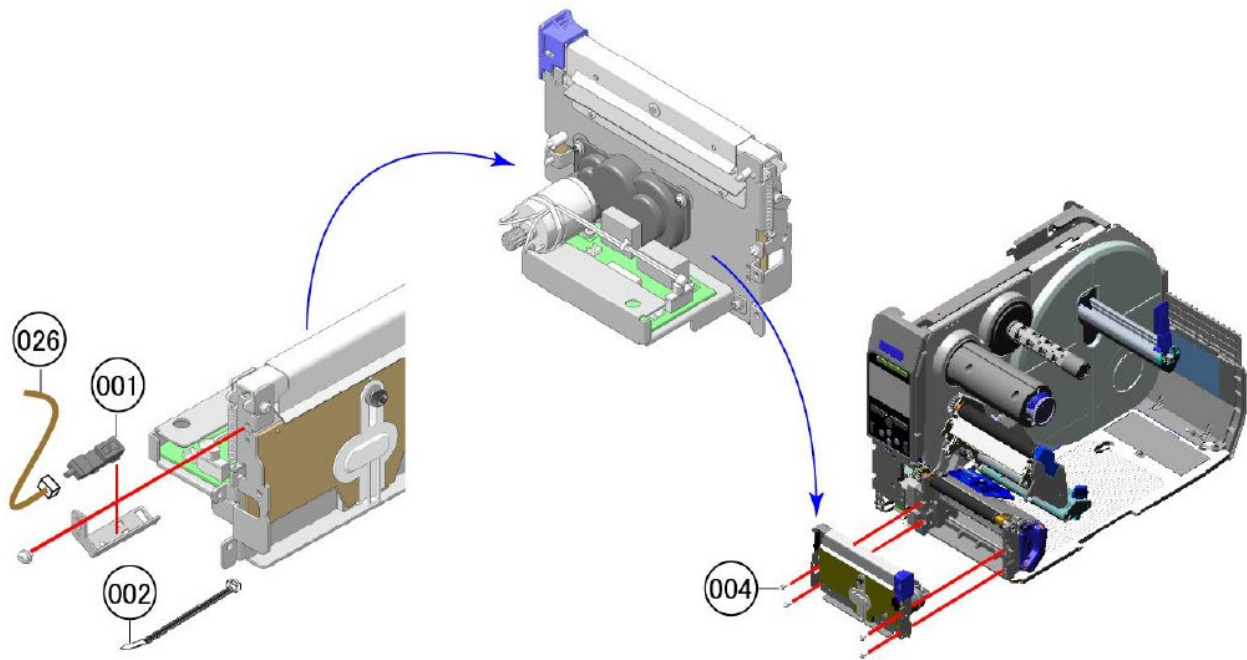
No	Part No.	Description
2	JG100011A	TIE WRAP
3	MD3300622	PAN HEAD SCREW+SW+WS
6	MD4300522	PAN HEAD SCREW+SW+WL
11	P56311800	CUTTER (LINERLESS) CL4NX
15	P56338000	NONSEPA SHEET A
16	P56348800	CT GUIDE PLATE
19	Q04254000	STICKER (TEAR OFF)
24	R30393000	CUTTER COVER OPEN CABLE SET-LF
29	R32310100	CUTTER SUB (LINERLESS) CL4NX

Fig 02, Cutter 01



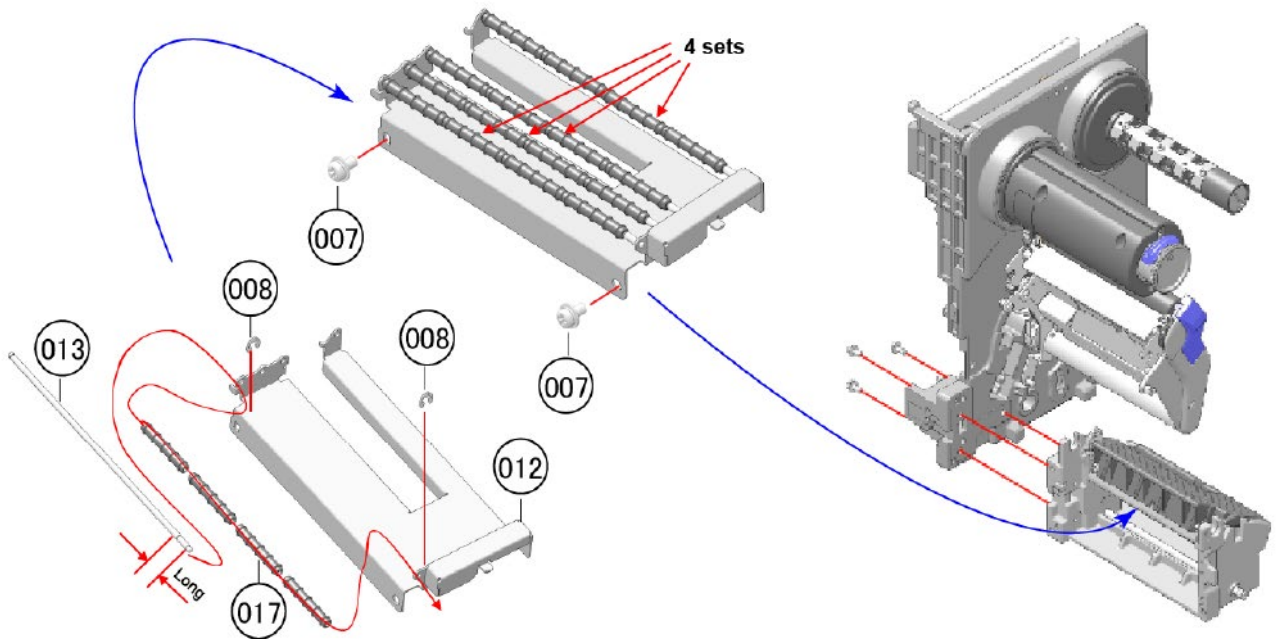
No	Part No.	Description
1	F00407000	PHOTO INTERRUPTER -LF
2	JG100011A	TIE WRAP
4	MD3300822	PAN HEAD SCREW+SW+WS
26	R32300700	DIS (NONSEPA) CABLE SET-LF

Fig 03, Cutter 02



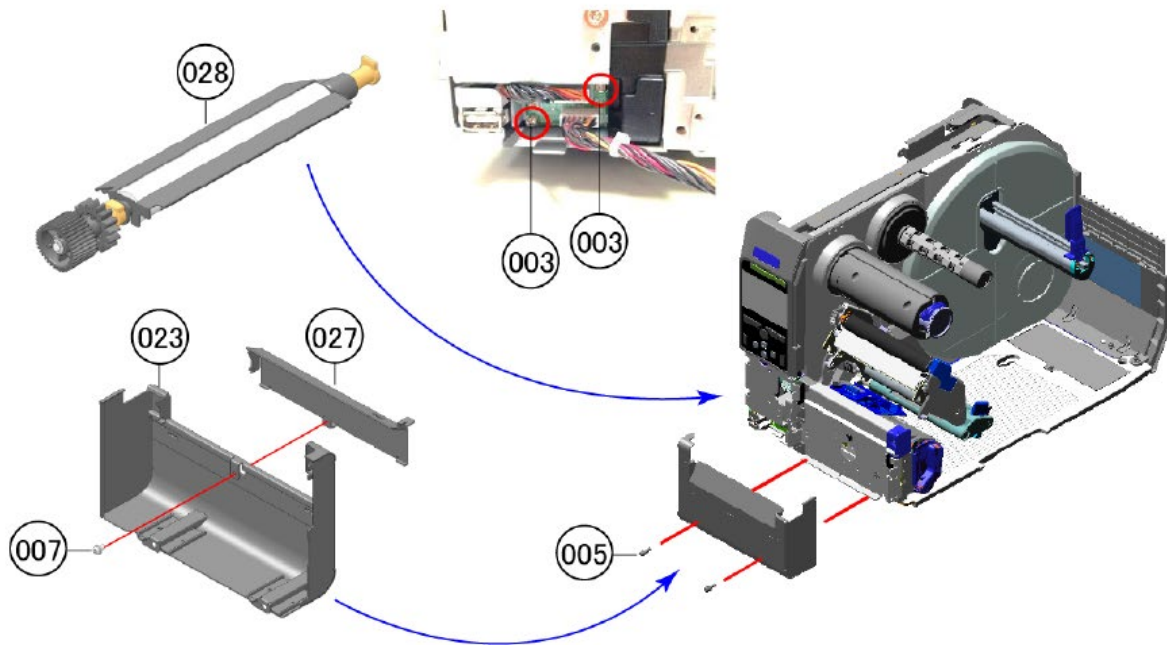
No	Part No.	Description
7	MD4300622	PAN HEAD SCREW+SW+WL
8	ND0020030	E SNAP RING
12	P56312702	MEDIA FRAME
13	P56312800	SHAFT (DR)
17	PE1A20000	DEMAND ROLLER (B)

Fig 04, Media Frame



No	Part No.	Description
3	MD3300622	PAN HEAD SCREW+SW+WS
5	MD3401028	PAN HEAD SCREW+SW+WS
7	MD4300622	PAN HEAD SCREW+SW+WL
23	R29517000	CT FRONT COVER SET
27	R32310201	CT NONSEPA COVER (COAT)
28	R32310500	PLATEN ROLLER SUB (LINERLESS) CL4NX

Fig 05, ASSY



No	Part No.	Description
14	P56331401	PURE SHEET (SENSOR)
18	Q00974001	CARTON BOX (LINERLESS KIT) CL4NX

Fig 06, Attachment

