

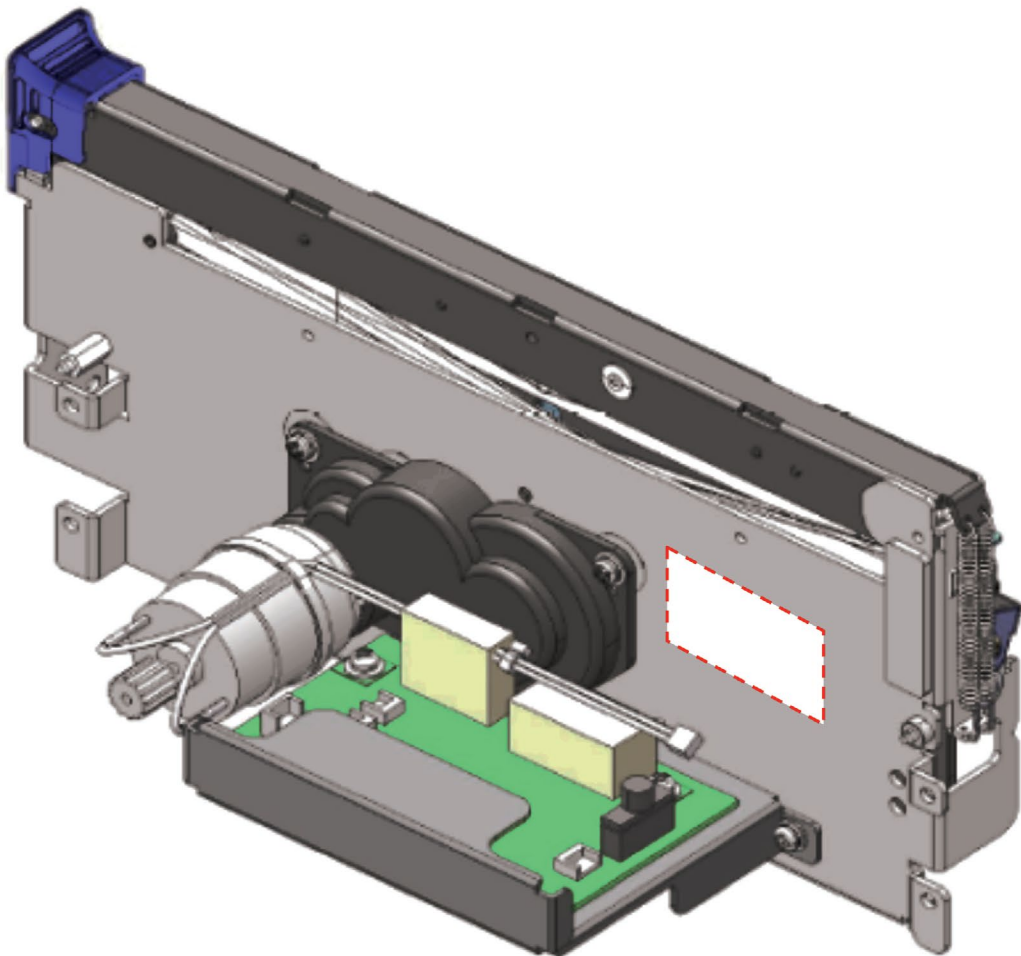


Cutter Kit Parts List

Item #: WWCL95100

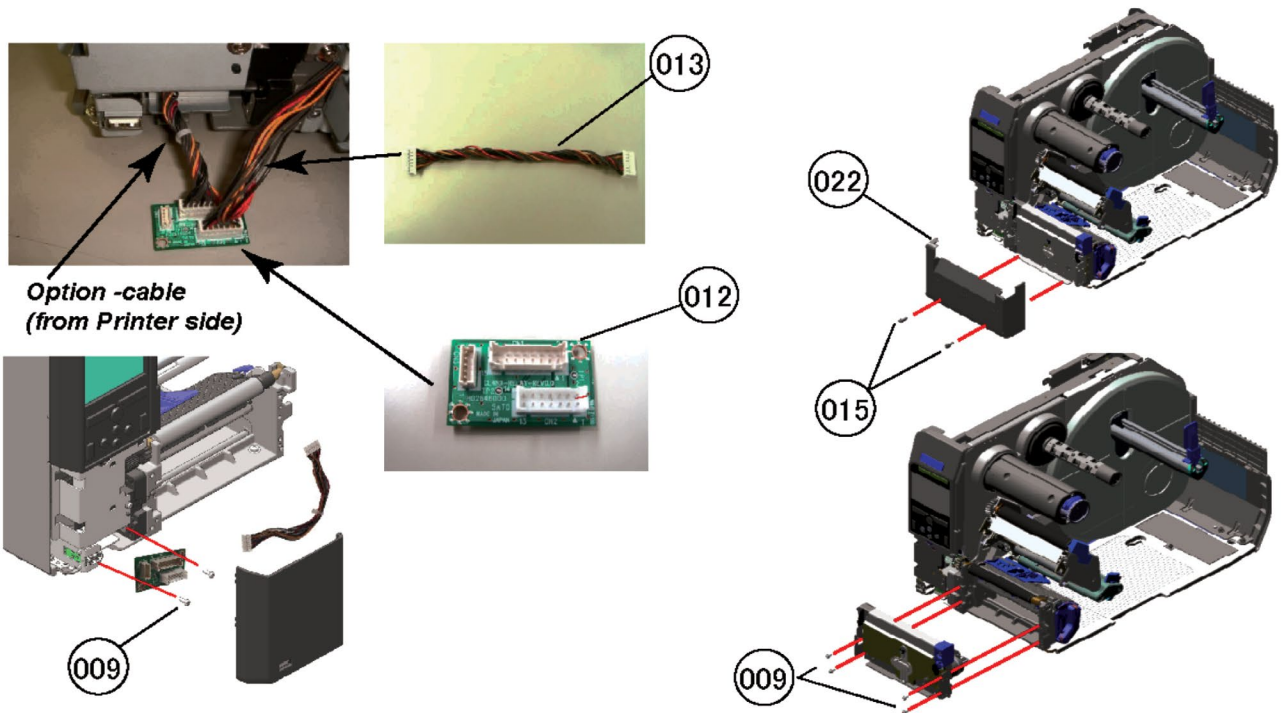
For printer model:

CL6NX



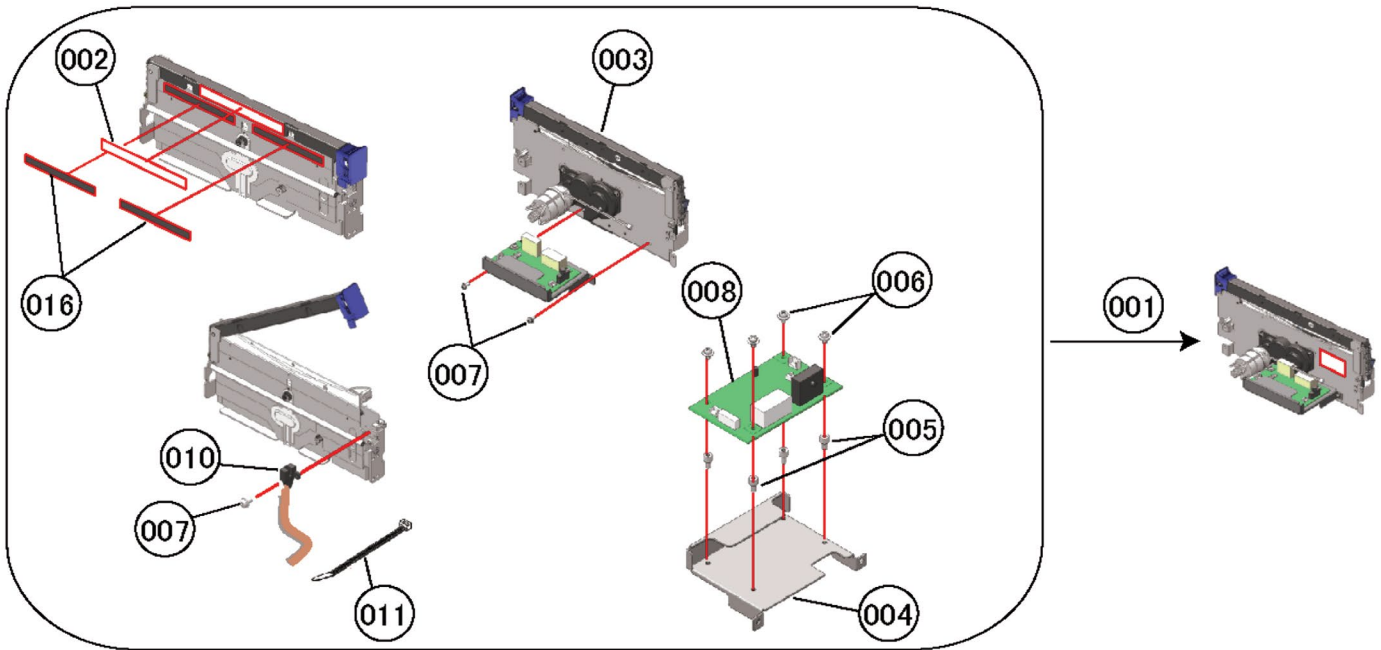
No	Part No.	Description
009	MD3300822	PAN HEAD SCREW+SW+WS
012	R29115000	RELAY PCB ASSY
013	R28591000	CUTTER CABLE SET-LF
015	MD3401028	PAN HEAD SCREW+SW+WS
022	R32680800	CT FRONT COVER S/A

Fig 01



No	Part No.	Description
001	R32219200	CUTTER ASSYCL6NX
002	Q04254000	STICKER (TEAR OFF)
003	P56366200	CUTTER (CL6NX) O
004	P54802000	CT PCB BR
005	P24161000	SPACER (M3*L5)
006	MD4300622	PAN HEAD SCREW+SW+WL
007	MD3300622	PAN HEAD SCREW+SW+WS
008	R29124000	CL4NX CUT PCB ASSY -LF
010	R30393000	CUTTER COVER OPEN CABLE SET-LF
011	JG100011A	TIE WRAP
016	P56246000	SHEET (CUTTER)

Fig 02



SATO AMERICA
CORPORATE
 10350-A Nations Ford Rd
 Charlotte, NC 28273
 Phone: (704) 644-1650
 Fax: (704) 644-1662
 sales-sallc@sato-global.com

LABEL MANUFACTURING, SERVICE & SALES
 UNITED STATES MEXICO CENTRAL AMERICA
 CANADA CARIBBEAN

©2015 SATO America. All rights Reserved. • Specifications subject to change without notice • Any unauthorized reproduction of this content, in part or whole, is strictly prohibited • SATO is a registered trademark of SATO Corporation and its subsidiaries in Japan, the U.S. and other countries. All other trademarks are the property of their respective owners. • Rev A