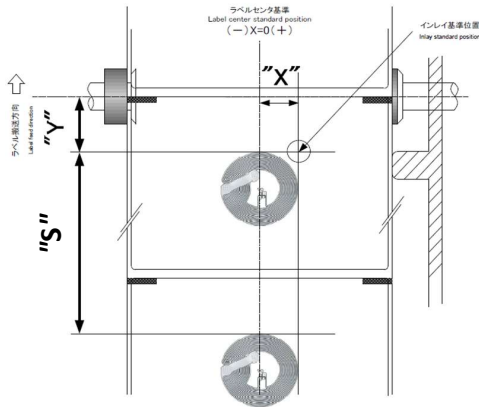
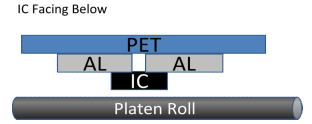
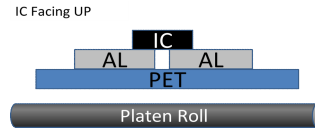


CT4-LX HF Inlay Configuration Guide



X: Liner Center to "Inlay Edge"(Direction of Travel Right Side)
 Y: Optimum Encoding Position
 S: Minimum Inlay Separation



Manufacturer	Inlay	IC Chip	Antenna Size [mm]			IC Direction	Feed Orientation	Paper Face or Not	Position(mm)			Antenna Selection	Antenna Position [mm]					
			Width	x	Length				X	Y	S		X	Y				
SMARTRAC	BullsEye NFC	NXP NTAG 213	35	x	35	N/A		N	14.5	to	20.5	8	to	17	45	Normal (前方)	0	1
SMARTRAC	Circus NFC	NXP NTAG 213	20	x	20	N/A		N	7	to	13	19	to	20	30	Normal (前方)	0	1
Hitachi High-Tech	RI-I03-112A "Miniature"	TI Tag-it HF-I Plus	38	x	22.5	N/A		N	16	to	22	17	to	21	33	Normal (前方)	0	1
Hitachi High-Tech	RI-I11-112A	TI Tag-it HF-I Plus	45	x	45	N/A		N	19.5	to	25.5	3	to	5	55	Normal (前方)	0	1
Hitachi High-Tech	RI-I16-112A-03HA	TI Tag-it HF-I Plus	24.2	x	24.2	N/A		N	9.1	to	15.1	16	to	19	34	Normal (前方)	0	1
Arizon	AZ-T ICODE SLI wet 45x45	NXP ICODE SLI	45	x	45	N/A		N	19.5	to	25.5	11	to	18	54	Normal (前方)	0	1
SAG	L26.5xW42 RC-S966	SONY FeliCa Lite-S	38	x	22.5	N/A		N	16	to	22	19	to	19	32	Normal (前方)	0	1
SAG	31x14 SLIx	ICODE SLIX	14	x	31	N/A		N	4	to	10	16	to	16	41	Normal (前方)	0	1
SAG	22.5x38-SLIX	ICODE SLIX	38	x	22.5	N/A		N	16	to	22	15	to	20	33	Normal (前方)	0	1
SAG	45x45-SLIX	ICODE SLIX	45	x	45	N/A		N	19.5	to	25.5	3	to	16	58	Normal (前方)	0	1
SAG	15x15-SLIX	ICODE SLIX	15	x	15	N/A		N	4.5	to	10.5	20	to	23	30	Normal (前方)	0	1
SAG	22.5x38-Plus	Tag-it HF-I Plus	38	x	22.5	N/A		N	16	to	22	16	to	19	32	Normal (前方)	0	1