

CT Series Printers

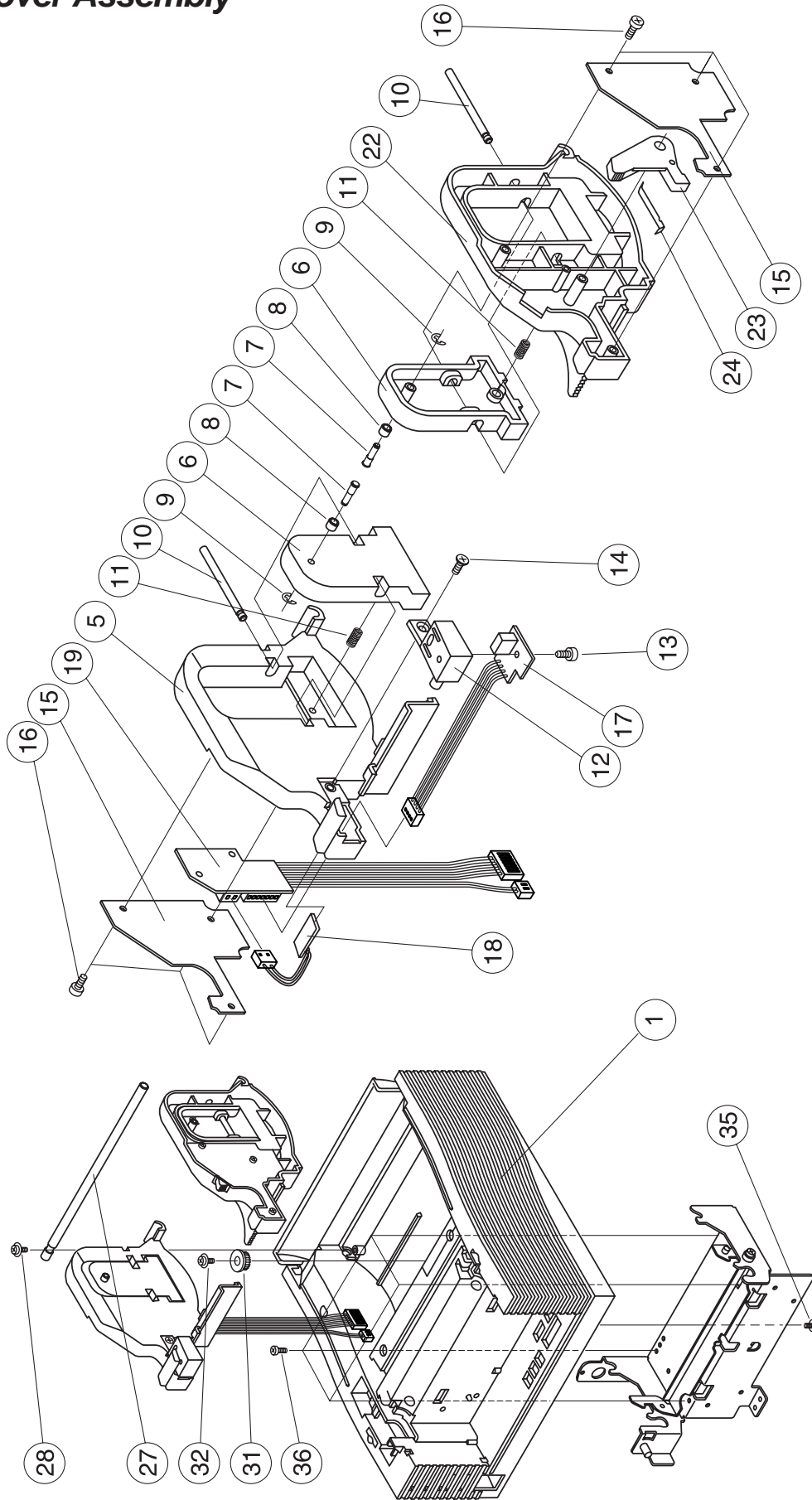


Parts List

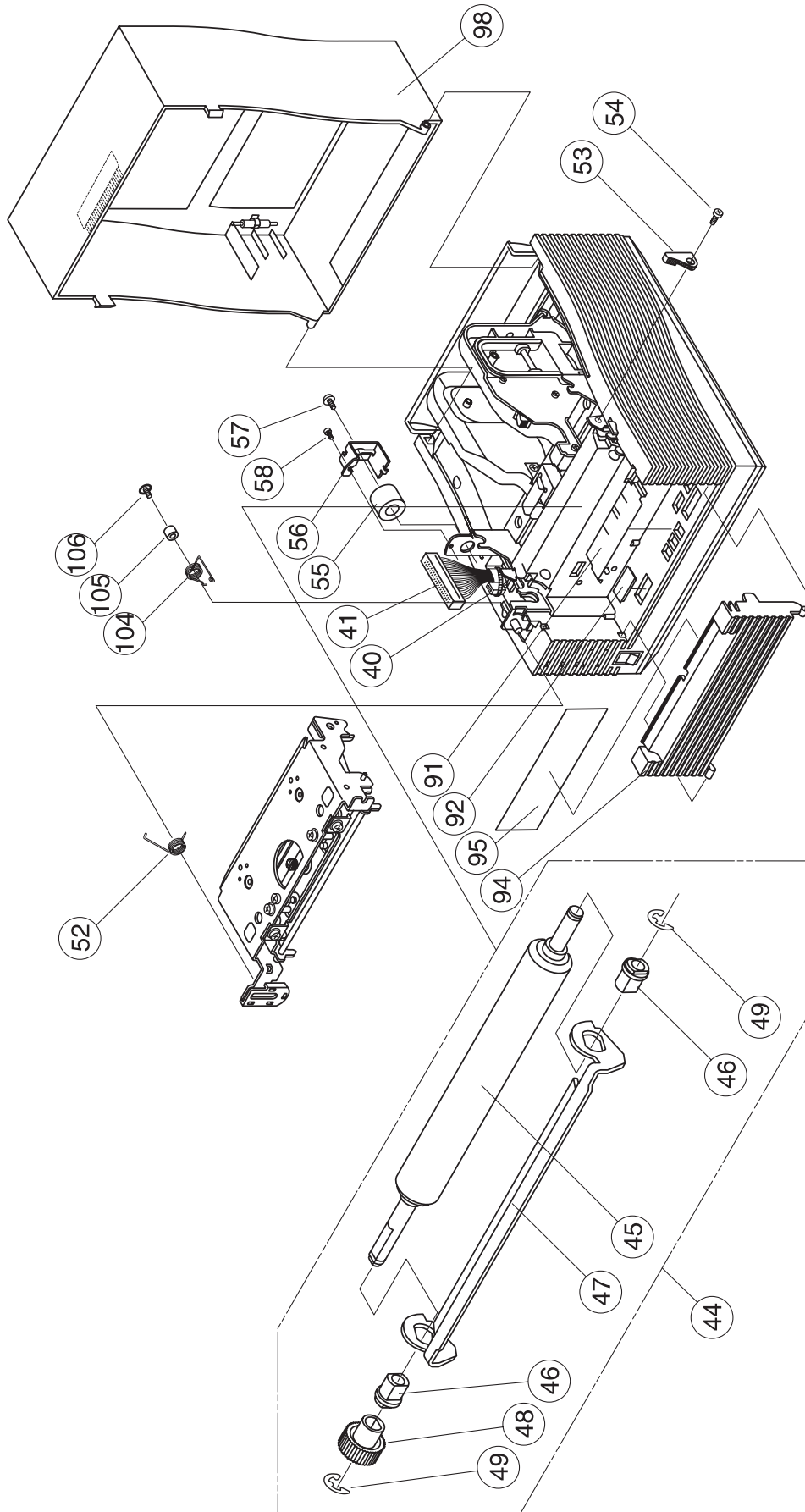
Table of Contents

	<i>Page</i>
CT Series Parts List	
<i>Base Cover Assembly</i>	3
<i>Thermal Head Assembly</i>	8
<i>Frame Assembly</i>	10
<i>Ribbon Assembly (Thermal Transfer Units)</i>	12
<i>Attachments</i>	14
Options	
<i>Cutter Unit</i>	15
<i>Dispenser Kit</i>	17

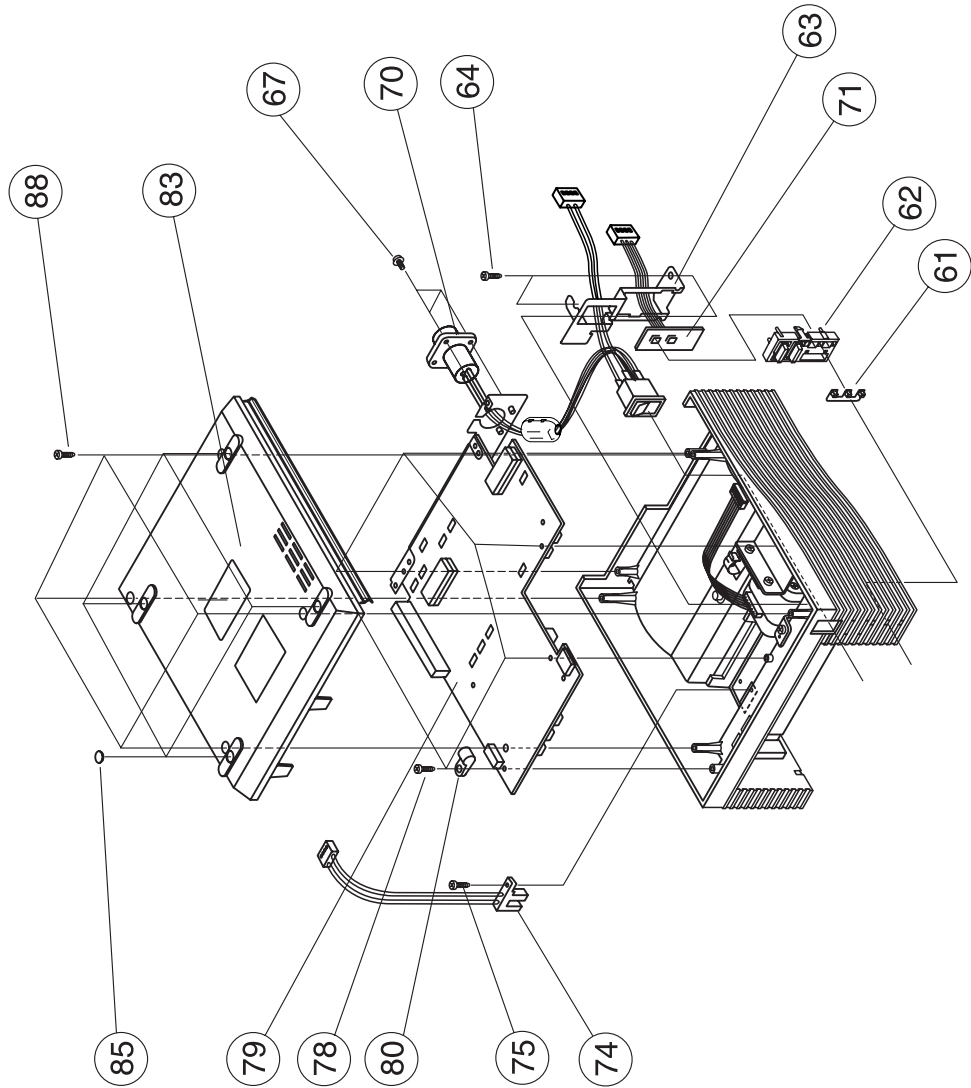
Base Cover Assembly



Base Cover Assembly



Base Cover Assembly



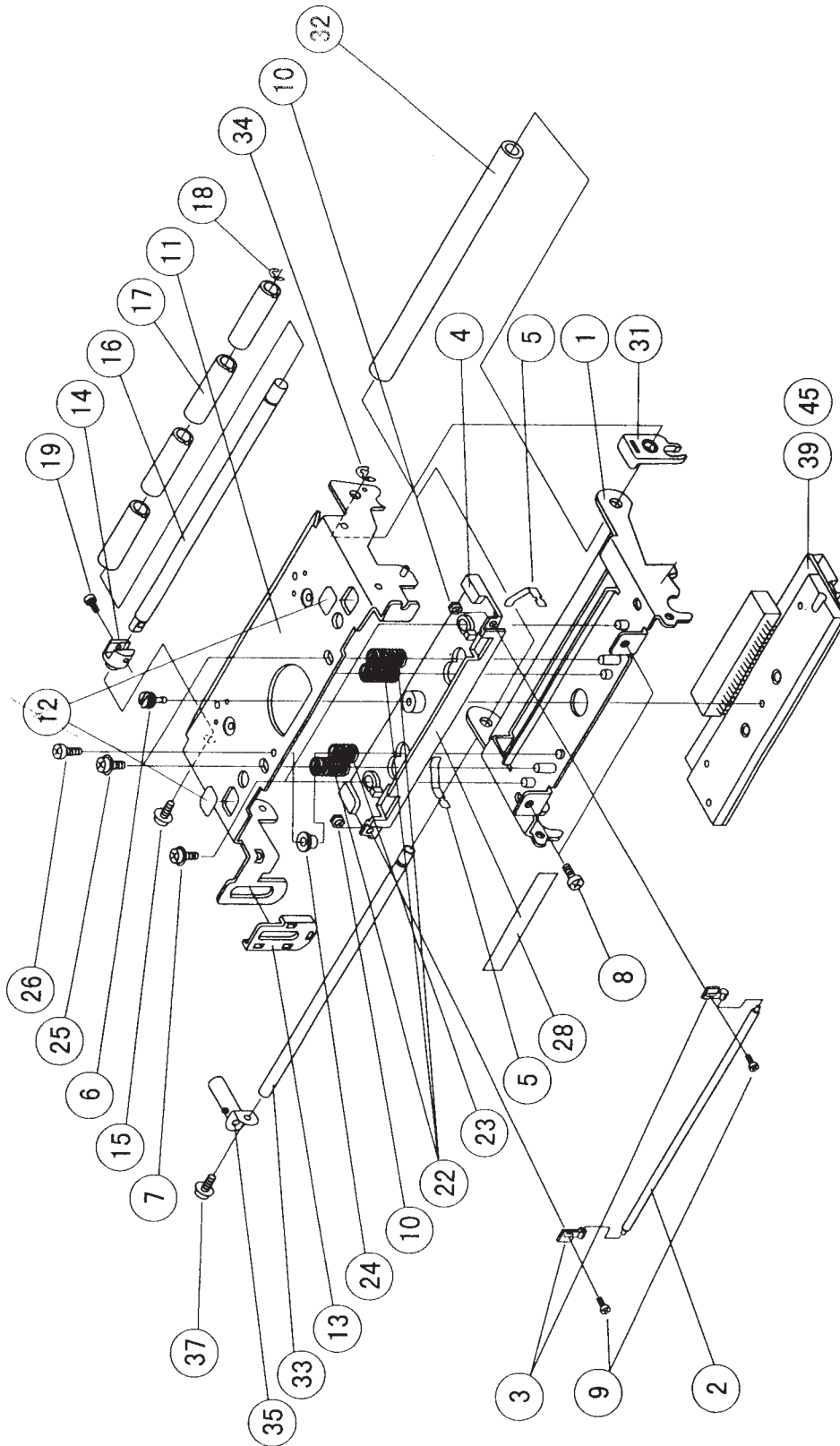
Base Cover Assembly

ITEM NO.	CODE	DESCRIPTION	QTY
1	RA0A21800	BOTTOM CABINET	1
5	PE5A21202	LABEL GUIDE (L)	1
6	PE5A21100	GUIDE PLATE	2
7	PB0A20500	LABEL SHAFT	2
8	PE3A20100	LABEL COLLAR	2
9	ND0025030	E-RING	2
10	PB0A20600	SHAFT	2
11	PC1A20100	SPRING	2
12	PE5A21402	SENSOR COVER	1
13	MH0250625	PAN HEAD SCREW	1
14	MH1300825	P-TIGHT SCREW	1
15	PA2A20000	GUIDE COVER	2
16	MH0250625	PAN HEAD SCREW	2
17	PJ4A20004	PITCH SENSOR (A) ASSY	1
18	PJ4A20014	PITCH SENSOR (B) ASSY	1
19	PJ4A20023	RELAY PLB ASSY	1
22	PE5A21302	LABEL GUIDE (R)	1
23	PE5A21801	GUIDE STOPPER	1
24	PA4A20000	PLATE SPRING (G)	1
27	PB0A20700	GUIDE SHAFT	1
28	MH9300822	P-TIGHT SCREW	1
31	PJ0A20500	GEAR (LABEL GUIDE)	1
32	MH9300822	P-TIGHT SCREW	1
35	MH0301221	SCREW	1
36	MA0300622	SCREW	4
40	RH1A20014	RIBBON END CABLE ASSY	1
41	RH1A20025	PRINT HEAD CABLE ASSY	1
44	RC1A20004	PLATEN SUB-ASSEMBLY	1
45	PR0A20102	PLATEN ASSY	1
46	PB2A20100	COLLAR	2
47	PA3A20002	PLATEN FRAME	1
48	PJ0A20201	PLATEN GEAR	1
49	ND0040022	E-RING	2
52	PC2A20201	SPRING	1
53	PE5A21700	KNOB	1
54	MD3300622	SCREW	1

Base Cover Assembly

ITEM NO.	CODE	DESCRIPTION	QTY
55	PT9A20500	TORQUE LIMITER	1
56	PA3A20101	HINGE BRACKET	1
57	MD4300622	SCREW	1
58	MD3250622	SCREW	1
61	PE5A21500	LENS	1
62	PE5A21600	BUTTON	1
63	PA6A20000	POWER SWITCH BRACKET	1
64	MH0301221	SCREW	1
67	MH0301022	SCREW	3
70	RH1A20005	POWER CABLE ASSY	1
71	PJ2A20003	CONTROL PANEL ASSY	1
74	RF0A20020	HEAD OPEN ASSY	1
75	MH0301221	SCREW	1
78	MH0301221	SCREW	1
79	RJ1A20050	CONT PCB	1
80	JG100291A	NYLON CLAMP	1
83	RA0A21300	BOTTOM CASE SUB-ASSY	1
85	PE0A20000	FOOT	4
88	MH0301221	SCREW	4
91	PE6A20301	COVER	1
92	PR4A20101	CONNECTOR COVER	1
94	PH0A20301	FRONT PANEL	1
95	QC6A21800	LABEL	1
98	RA0A21400	TOP COVER	1
104	PC2A20402	SPRING (OPEN)	1
105	PB2A20600	COLLAR	1
106	MJ9300622	SCREW	1

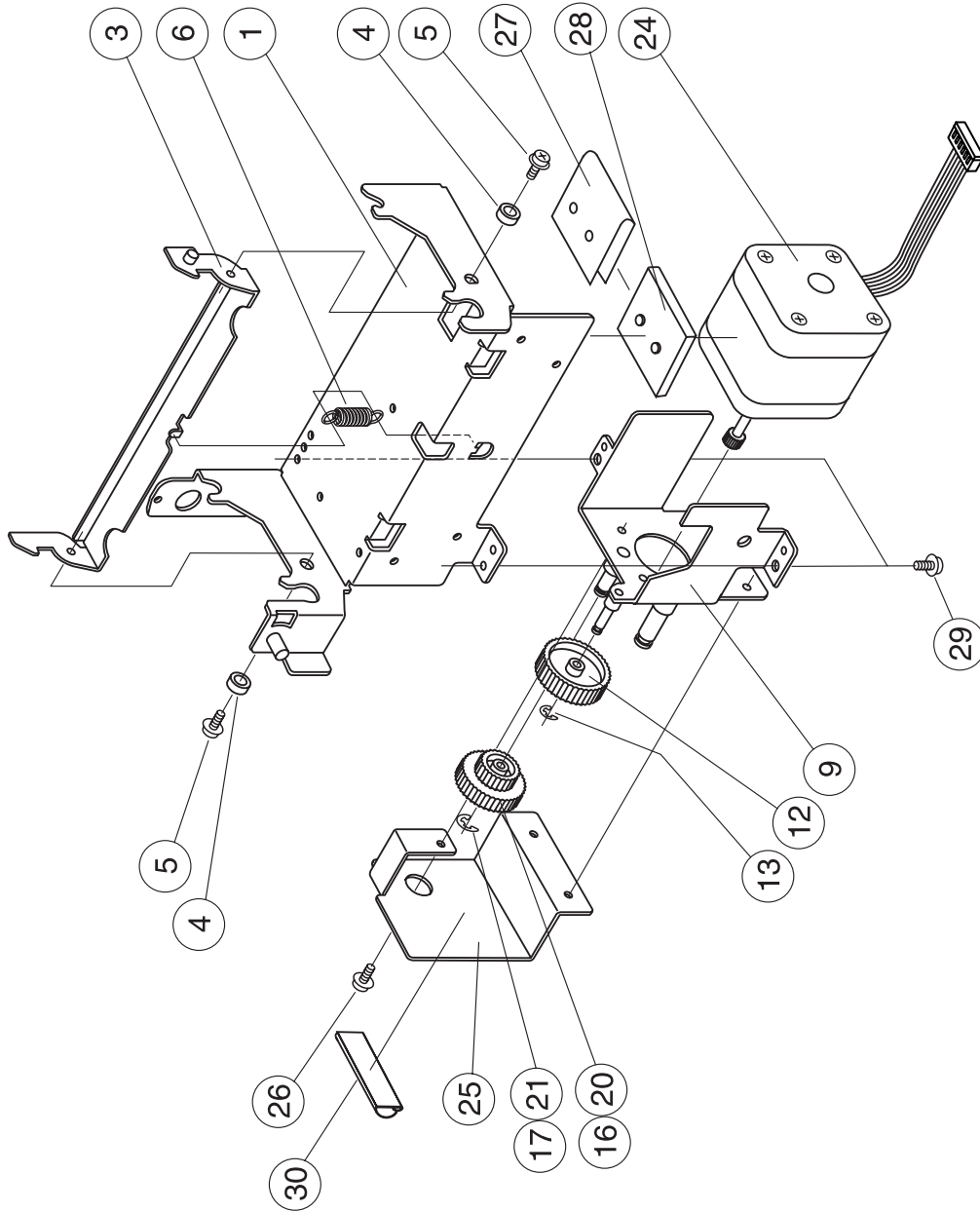
Thermal Head Assembly



Thermal Head Assembly

ITEM NO.	CODE	DESCRIPTION	QTY
1	PR1A20401	PRINTHEAD FRAME	1
2	PB0A22600	SHAFT	1
3	PE5A22700	SHAFT HOLDER	2
4	PE5A20901	PRINTHEAD BRACKET	1
5	PA4A20100	PLATE SPRING (OPP)	2
6	PB5A20001	PRINTHEAD SCREW	1
7	MD3300622	SCREW	1
8	MA0300422	SCREW	2
9	MA0300622	SCREW	2
10	MT1300522	NUT	2
11	PR1A20301	PRINT HEAD BRACKET	1
12	QC6A20200	PUSH LABEL	2
13	PE5A21900	SLIDE COVER	1
14	PB0A20001	SHAFT HOLDER	1
15	MD4250622	SCREW	1
16	PB0A21100	ROLLER SHAFT	1
17	PE3A20000	ROLLER	4
18	ND0030022	E-RING	1
19	MD3250622	SCREW	1
22	PC1A20202	SPRING	3
23	PC1A20302	SPRING	1
24	PB2A20400	BUSHING	1
25	MD4300622	SCREW	1
26	MA0300622	SCREW	4
28	PT9A21200	TAPE	1
31	PE5A20800	SHAFT LOCK	1
32	PB3A20000	RIBBON ROLLER	1
33	PB0A21800	SHAFT	1
34	ND0040022	E-RING	2
35	PR1A20501	HINGE	1
37	MD4300622	SCREW	1
39	RC0A20302	PRINTHEAD (CT400 ONLY)	1
45	RCOA20402	PRINTHEAD (CT410 ONLY)	1

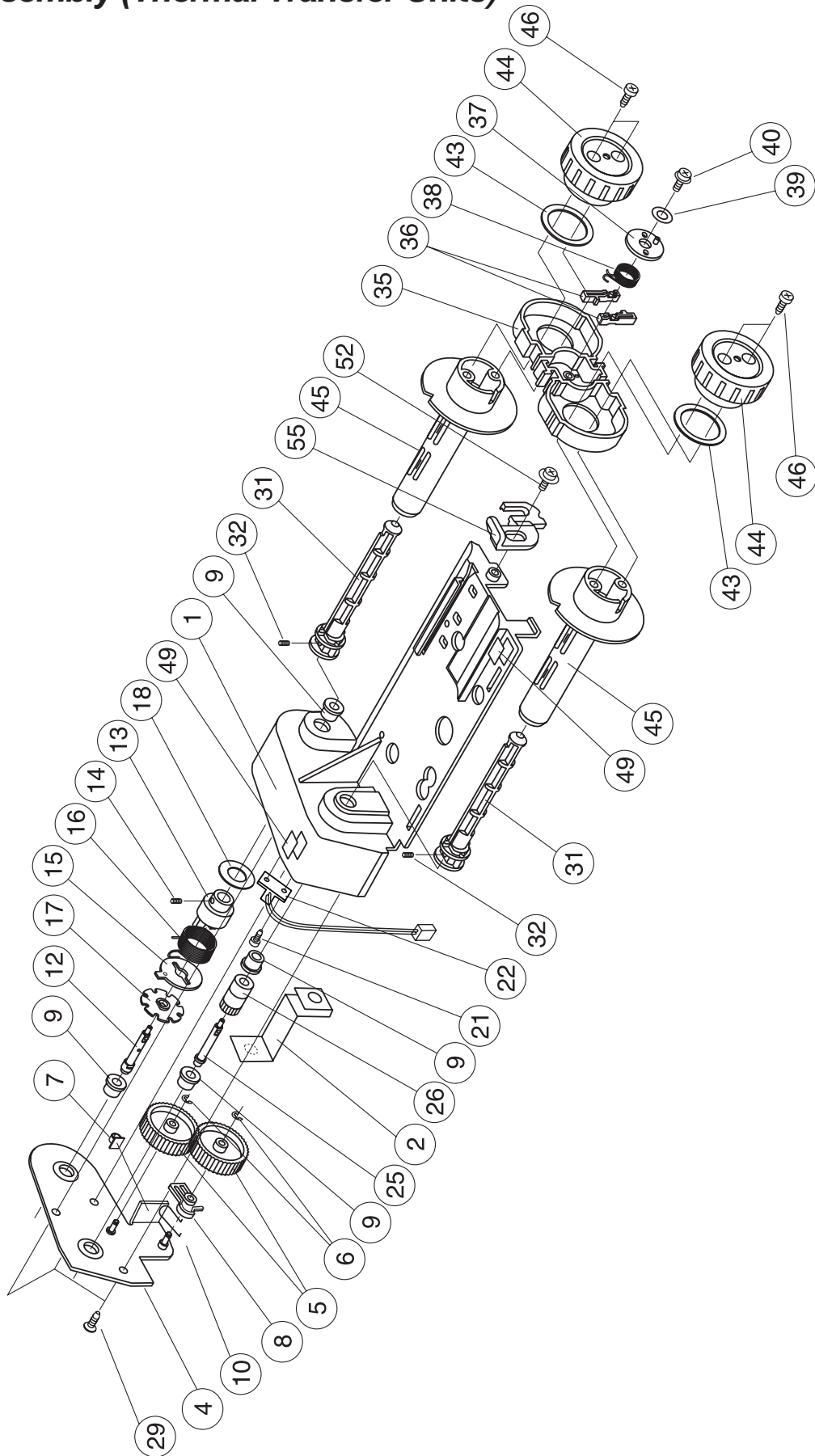
Frame Assembly



Frame Assembly

ITEM NO.	CODE	DESCRIPTION	QTY
1	PR1A20101	ENGINE FRAME	1
3	PR1A20201	BRACKET	1
4	PB2A20300	COLLAR	2
5	MD4300622	SCREW	2
6	PC0A20000	SPRING	1
9	PR1A20002	MOTOR PLATE	1
12	PJ0A20401	IDLE GEAR	1
13	ND0020030	E-RING	1
16	PJ0A20301	GEAR (CT400 ONLY)	1
17	ND0030022	E-RING	1
20	PJ0A20101	GEAR (CT410 ONLY)	1
21	ND0020030	E-RING	1
24	KB200501A	STEPPER MOTOR	1
25	PA3A20300	BRACKET	1
26	MD3300622	SCREW	1
27	PG1A20000	SILICON SHEET	1
28	PA1A20000	HEAT PLATE	1
29	MD3300622	SCREW	2
30	PV9800900	SHIELD	1

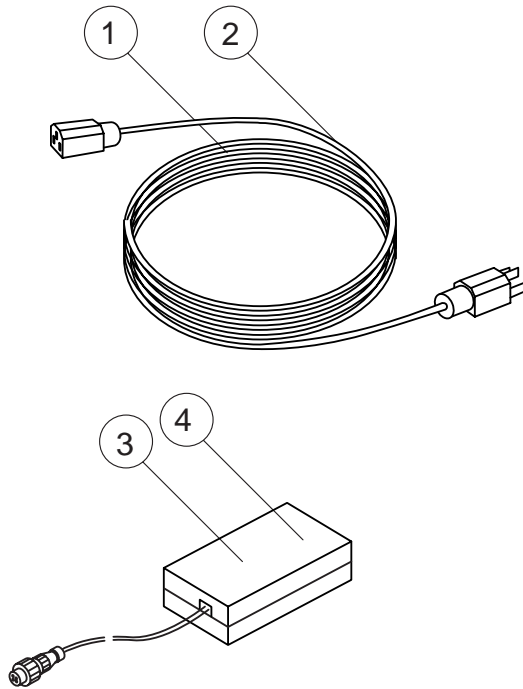
Ribbon Assembly (Thermal Transfer Units)



Ribbon Assembly (Thermal Transfer Units)

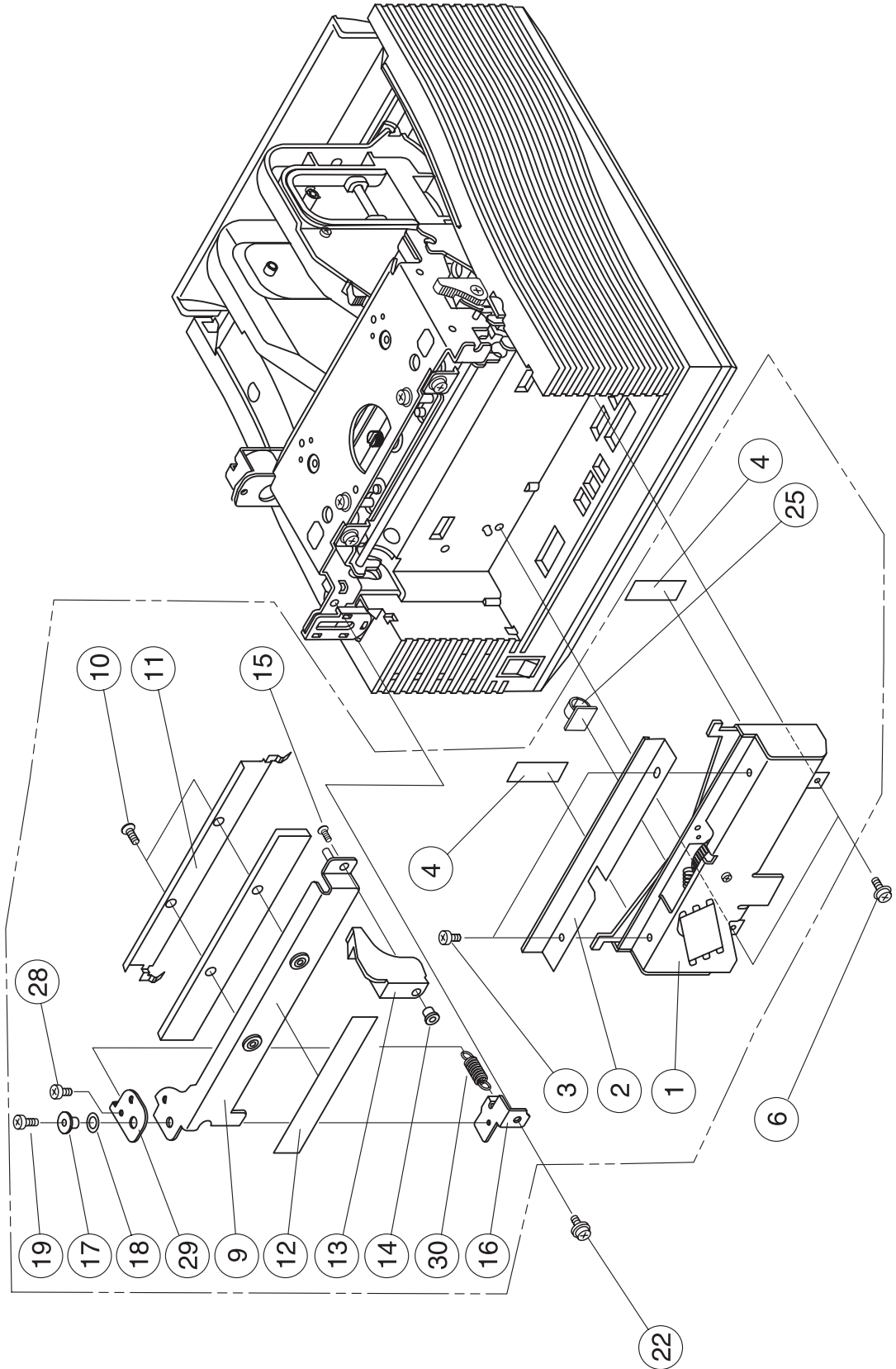
ITEM NO.	CODE	DESCRIPTION	QTY
1	PE5A20202	RIBBON FRAME	1
2	PV9A20000	CONDUCTIVE TAPE	1
4	PR1A20603	GEAR COVER	1
5	PJ0A20401	IDLE GEAR	2
6	ND0020030	E-RING	2
7	JG100531A	CLAMP	1
8	PE5A22602	STOPPER	1
9	PT2106030	BEARING	4
10	PC2A20600	SPRING (STOPPER)	1
12	PB0A20301	DRIVE SHAFT (B)	1
13	PT9A20600	TORQUE LIMITER	1
14	NG3200824	SPRING PIN	1
15	PE5A21000	STOPPER	1
16	PC2A20101	SPRING	1
17	PE5A20700	SENSOR PLATE	1
18	PE6A20200	SLIDE WASHER	1
21	MH0300821	PAN HEAD SCREW	1
22	RF0A20014	RIBBON SENSOR ASSY	1
25	PB0A20400	DRIVE SHAFT (F)	1
26	PT9A20700	TORQUE LIMITER	1
29	MH1300825	P TIGHT SCREW	1
31	PE5A20101	RIBBON SHAFT	2
32	MJ1300624	HEX SET SCREW	2
35	PE5A20401	RIBBON GUIDE	1
36	PE5A20300	LOCK LEVER	2
37	PE5A20600	TURN PLATE	1
38	PC2A20001	SPRING (LEVER)	1
39	NA1030022	WASHER	1
40	MH0300521	SCREW	1
43	PE6A20100	WASHER	2
44	PE5A20500	KNOB	2
45	PE5A20006	RIBBON BOSS	2
46	MH0250821	P TIGHT SCREW	4
49	QC6A20200	PUSH LABEL	2
52	MD4300822	SCREW	1
55	PE5A22000	RELEASE LEVER	1

Attachments



ITEM NO.	CODE	DESCRIPTION	QTY
1	JH000441A	POWER CORD, 110 V	1
2	JH000451A	POWER CORD, 220 V	1
3	KA600061A	POWER SUPPLY, 110 V	1
4	KA600041A	POWER SUPPLY, 220V	1

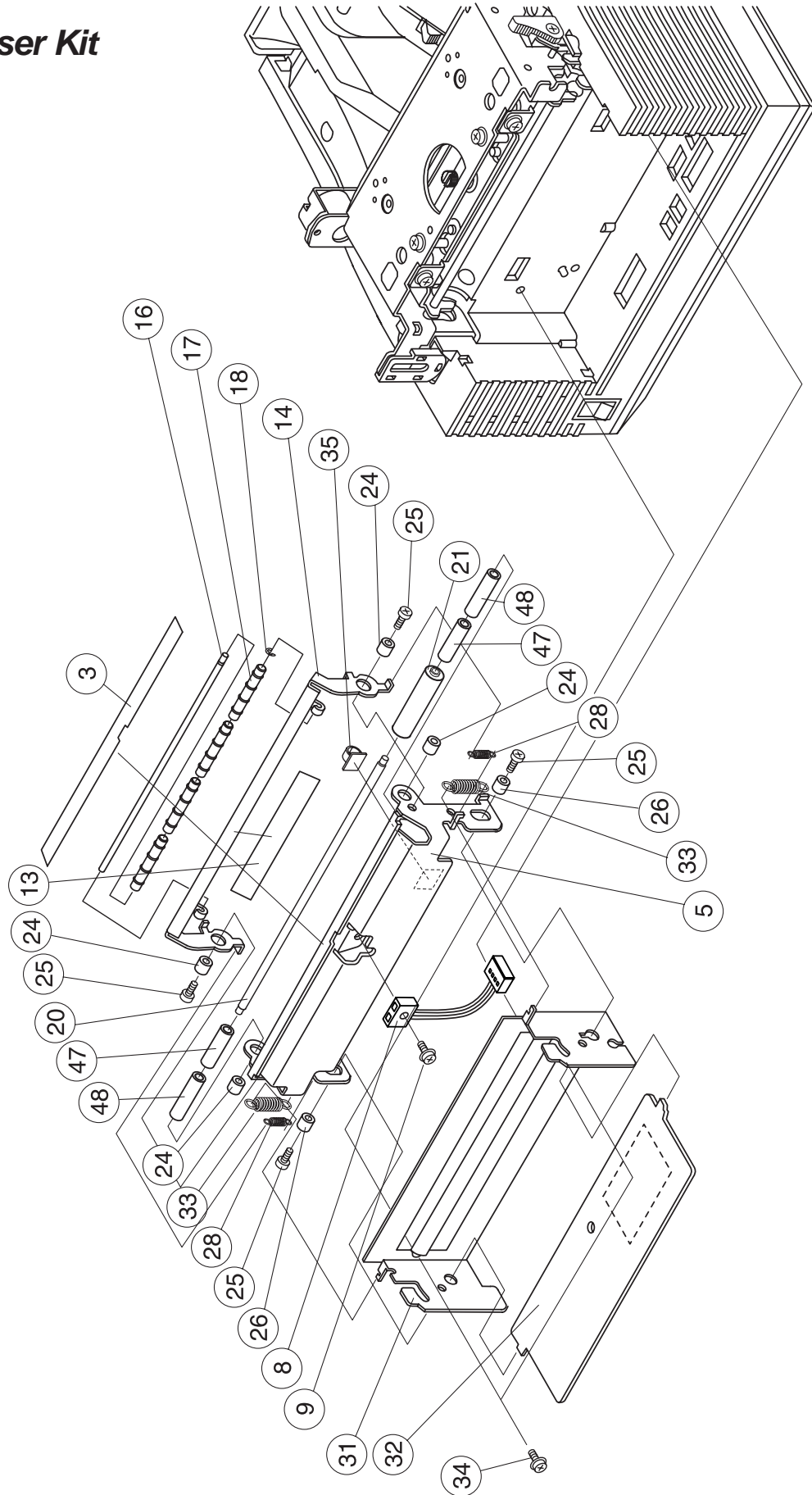
**Option:
Cutter Unit**



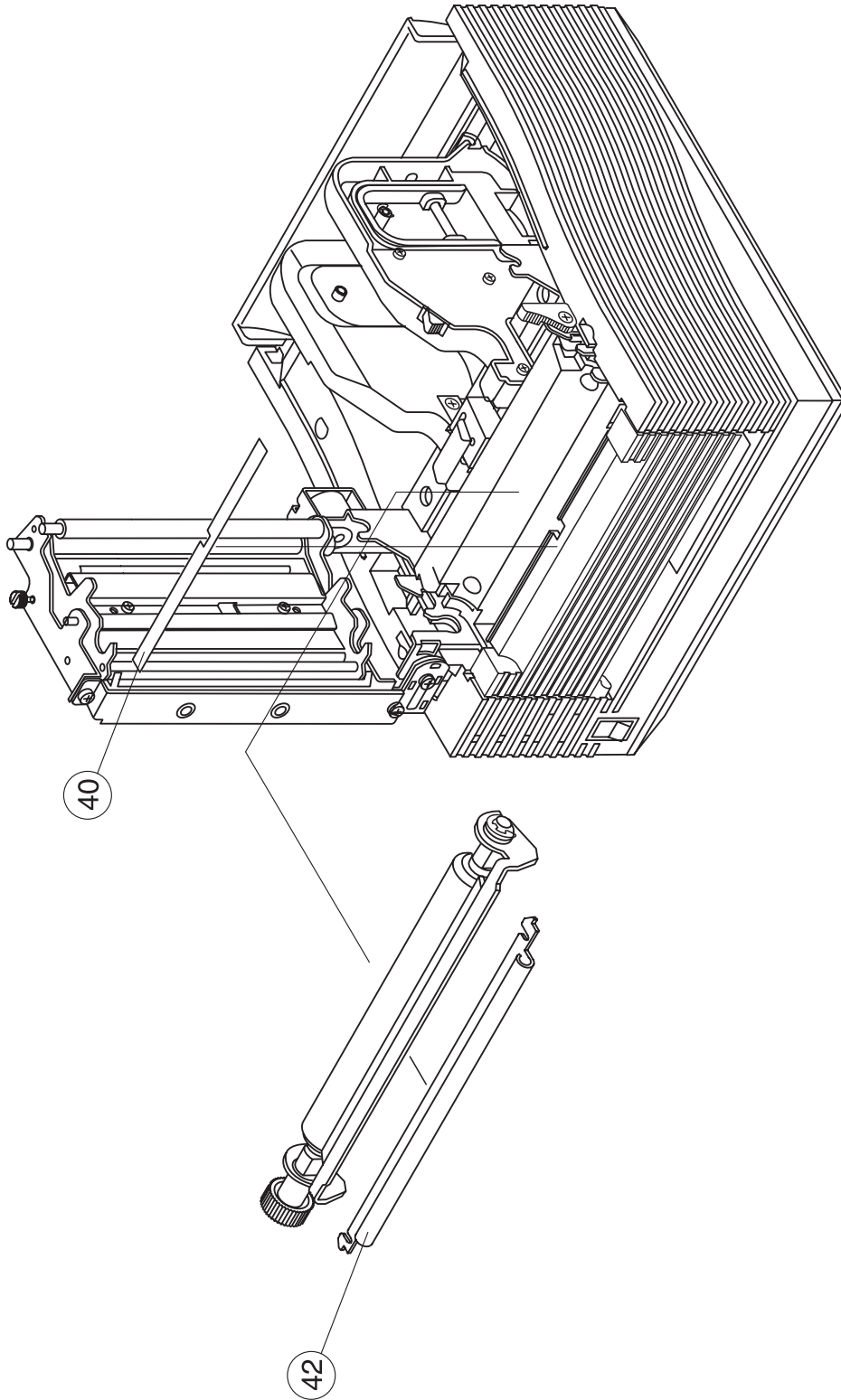
**Option:
Cutter Unit**

ITEM NO.	CODE	DESCRIPTION	QTY
1	PK1A20001	CUTTER UNIT	1
2	PA6A20701	COVER	1
3	MA0300422	SCREW	2
4	PE6A21200	PLASTIC PLATE	2
6	MD3300822	SCREW	2
9	PR1A20702	BRACKET	1
10	MA1300622	SCREW	2
11	PA4A20301	BRACKET	1
12	QC6524100	CAUTION LABEL	1
13	PE5A22101	LOCK	1
14	PB2A20500	COLLAR	1
15	MA1200622	SCREW	1
16	PA3A20600	BRACKET	1
17	PB7A20001	COLLAR	1
18	NB8050030	WASHER	1
19	MA0300622	SCREW	4
22	MD3300422	SCREW	1
25	JG100511A	CLAMP	1
28	MA0300422	SCREW	2
29	PA3A20801	PLATE	1
30	PC0A20300	SPRING	1

**Option:
Dispenser Kit**



**Option:
Dispenser Kit**



Option:
Dispenser Kit

ITEM NO.	CODE	DESCRIPTION	QTY
3	PE6A20701	GUIDE SHEET	1
5	PR1A20801	DISPENSER BRACKET	1
8	RF0A20004	SENSOR ASSEMBLY	1
9	MD4200822	SCREW	1
13	PT9A21200	ELECTRIC TAPE	1
14	PA6A20802	LEVER	1
16	PB0A21600	SHAFT	1
17	PE3520600	ROLLER	4
18	ND0020030	RING	1
20	PB0A22201	ROLLER SHAFT	1
21	PR0850400	ROLLER	1
24	PT2003030	BEARING	4
25	MA0300622	SCREW	4
26	PB2A20300	COLLAR	2
28	PC0A20200	SPRING	2
31	PA6A20601	DISPENSER FRAME	1
32	PA2A20301	GUIDE PLATE	1
33	PC0A20101	SPRING	2
34	MD3300822	SCREW	2
35	JG100531A	CLAMP	1
40	PE6A20400	FRONT PANEL SHEET	1
42	PA3A20901	PLATE	1
47	PT9A22100	SPACER	2
48	PT9A22200	SPACER	2