



PARTS LIST

For printer model:

CX400



PN: 9001124 (B)

SATO America, Inc.

**10350A Nations Ford Road
Charlotte, NC 28273**

Main Phone: (704) 644.1650

Technical Support: (704) 644.1660

Technical Support Fax: (704) 644.1661

E-Mail: satosales@satoamerica.com

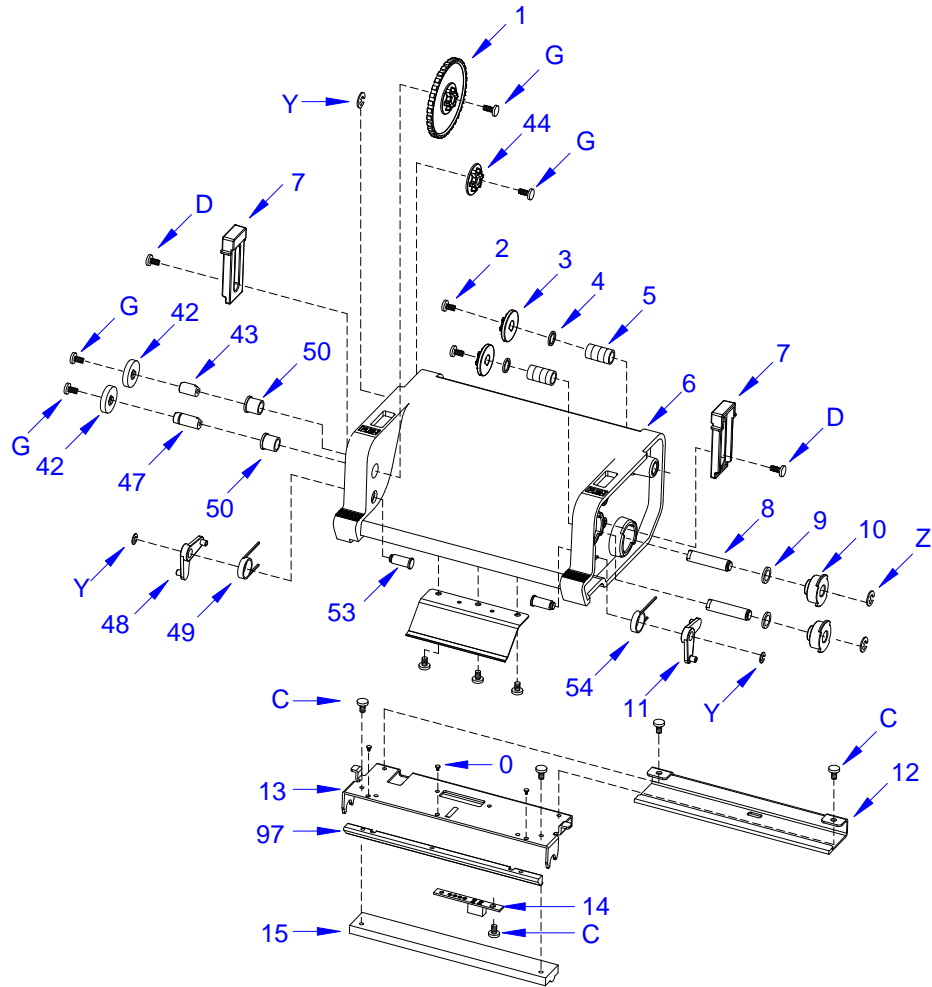
techsupport@satoamerica.com

www.satoamerica.com

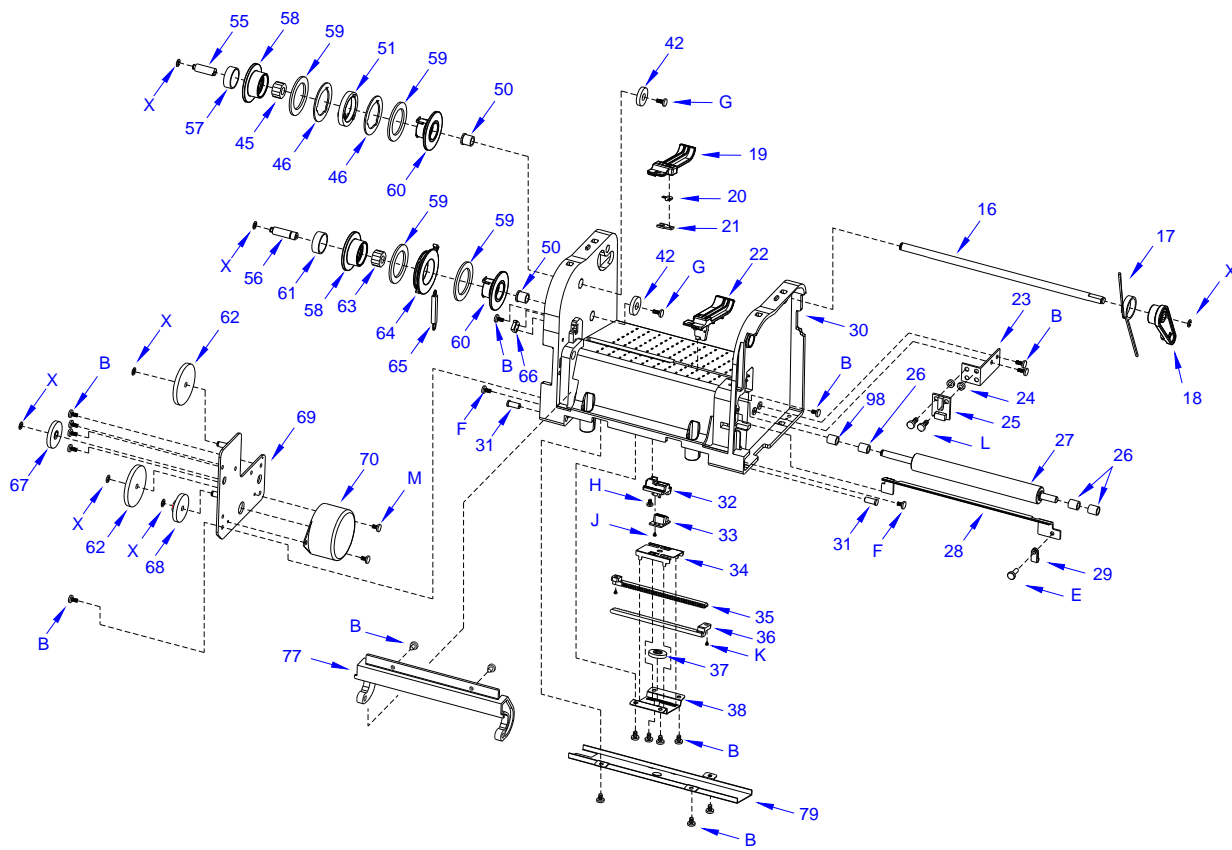
Copyright 2012, 2004 SATO America, Inc. All rights reserved

Warning: This equipment complies with the requirements in Part 15 of FCC rules for a Class A computing device. Operation of this equipment in a residential area may cause unacceptable interference to radio and television reception requiring the operator to take whatever steps necessary to correct the interference.

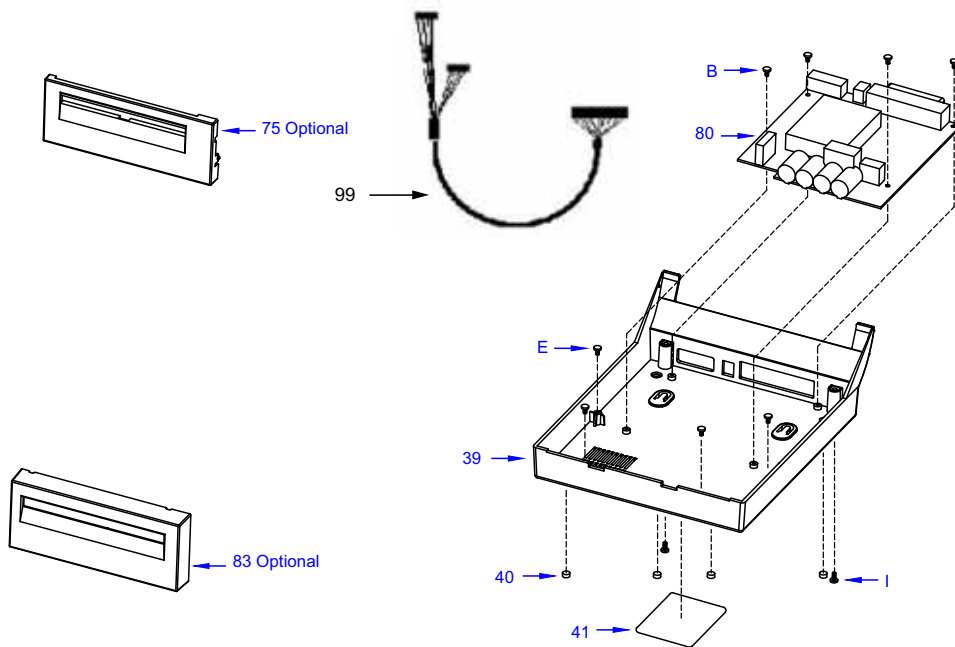
All rights reserved. This document, nor any part of it, may be reproduced or issued to third parties in any form without the express permission of SATO America, Inc. The material in this document is provided for general information only and is subject to change without notice. SATO America, Inc. does not assume responsibility for any errors or omissions.



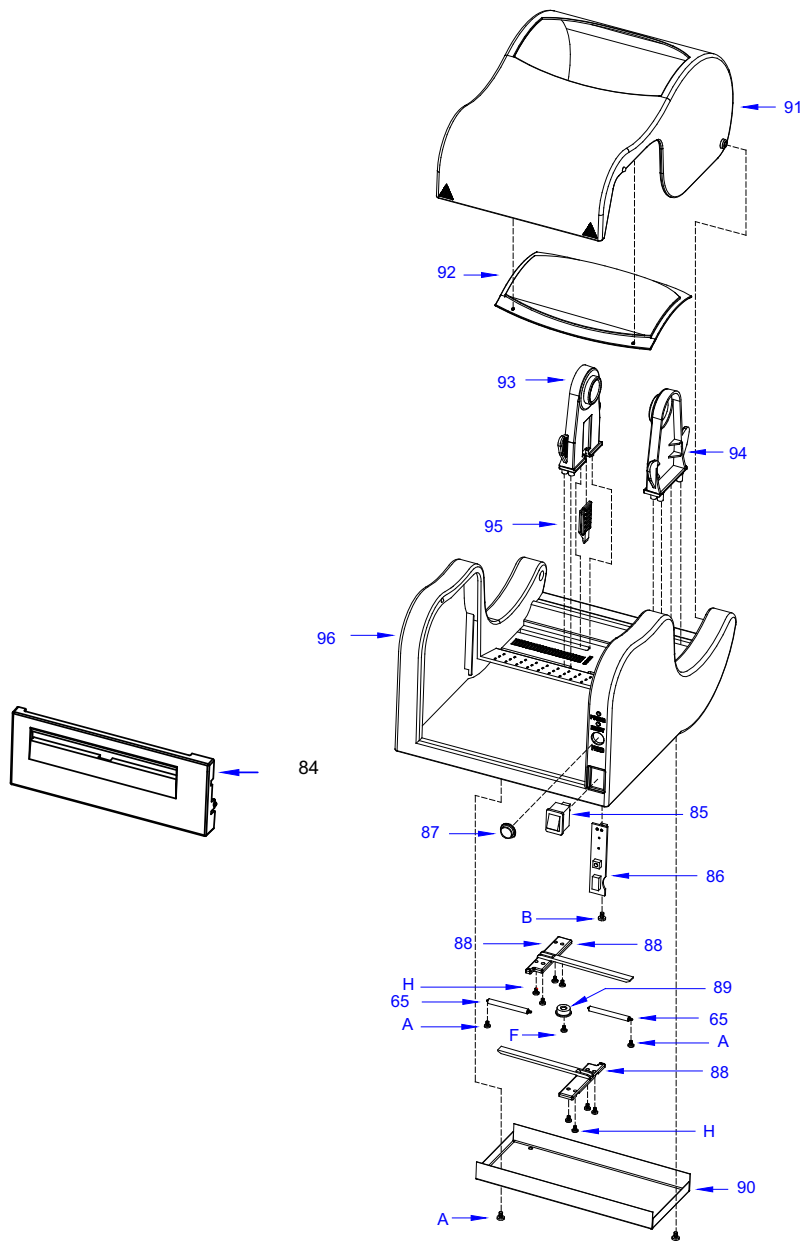
Printer Assembly, PL1



Chassis Assembly, PL2



Base and Options Assemblies, PL3



Housing Assembly, PL4

Item	Part Number	Part Description	Qty
1	14SC00150	THUMBWHEEL	1
2	14SC00151	CLAMP, L2	2
3	14SC00152	WASHER	2
4	14SC00153	CLAMP SPRING	2
6	14SC00155	PRINT ASSEMBLY BRACKET	1
7	14SC00156	PRINT ASSEMBLY BUTTON	2
8	14SC00157	SHAFT, RIB2	2
9	14SC00158	WASHER, RIB	2
10	14SC00159	BUSH, RIB2	2
11	14SC00160	CHASSIS LOCK, LEFT	1
12	14SC00161	PRINT HEAD COVER	1
13	14SC00162	PRINT HEAD BRACKET	1
14	YCX405706	RIBBON SENSOR	1
15	YCX405701	THERMAL PRINT HEAD	1
16	14SC00163	CHASSIS SHAFT	1
17	14SC00164	ARM SPRING	1
18	14SC00165	RIB, ARM	1
19	14SC00166	PAPER GUIDE, LEFT	1
21	14SC00167	FILM GUIDE	1
20	YC3005762	LED	1
22	14SC00168	PAPER GUIDE, RIGHT	1
23	14SC00169	CONNECTOR BRACKET	1
24	14SC00170	SPACER, SUPPORT	2
25	YCX405703	EXTERNAL CONNECTOR BOARD	1
26	14SC00172	ROLLER BUSHING	3
27	YCX405708	PLATEN ROLLER, METAL/RUBBER	1
28	14SC00173	PEELER BAR	1
29	14SC00174	CABLE CLAMP	1
30	YC3005760	CHASSIS	1
31	14SC00175	PEELER SHAFT	2
32	14SC00176	GUIDE, LEFT	1
33	YCX405705	PAPER SENSOR	1
34	14SC00177	GUIDE, TOP BRACKET	1
35	14SC00178	GUIDE RACK, LEFT	1
36	14SC00179	GUIDE RACK, RIGHT	1
37	14SC00180	GEAR, MO. 5x27T	1
38	14SC00181	GUIDE, BOTTOM	1
39	YC3005757	BASE	1
40	14SC00182	RUBBER BOOT	4
42	14SC00184	GEAR, MO. 5x28T	4
43	14SC00185	SHAFT, RIB3	1

Item	Part Number	Part Description	Qty
44	14SC00186	CLAMP, LEFT	1
45	14SC00187	GEAR, ONE WAY, LEFT	1
46	14SC00188	WASHER, DIFF.	2
47	14SC00189	SHAFT, RIB1	1
48	14SC00190	CHASSIS LOCK, RIGHT	1
49	14SC00191	LOCK SPRING, RIGHT	1
50	14SC00192	BUSHING, DIFFERENTIAL	4
51	14SC00193	GEAR, MO. 5x54T	1
52	14SC00194	SPRING, THERMAL PRINT HEAD	1
53	14SC00195	HINGE PIN	2
54	14SC00196	LOCK SPRING, RIGHT	1
55	14SC00197	PIN, TOP DIFFERENTIAL	1
56	14SC00198	PIN, LOWER DIFFERENTIAL	1
57	14SC00199	SPRING, DIFFERENTIAL	1
58	14SC00200	SPRING HOLDER	2
59	YC3005761	UNWOVEN FABRIC	4
60	14SC00201	HOLDER, PUSH	2
61	14SC00202	SPRING, DIFFERENTIAL	1
62	14SC00203	GEAR	2
63	14SC00204	GEAR, ONE WAY, RIGHT	1
64	14SC00205	HOLDER, D	1
65	14SC00206	SPRING, RIB2	3
66	14SC00207	PLATEN SWITCH	1
67	14SC00208	GEAR, MO. 5x42T	1
68	14SC00209	GEAR, MO.5 17x44T	1
69	14SC00210	MOTOR BRACKET	1
70	YCX405707	MOTOR	1
75	YCX405200	DISPENSER ASSEMBLY (OPTIONAL)	1
77	14SC00211	COVER HINGE	1
79	14SC00212	HARNESS COVER	1
80	YCX405702	MAIN CIRCUIT BOARD, CX400	1
83	YCX405100	CUTTER ASSEMBLY (OPTIONAL)	1
84	14SC00213	FACE COVER	1
85	14SC00214	SWITCH, 2-POSITION	1
86	YCX405704	PANEL BOARD, CX400	1
87	14SC00215	FEED BUTTON	1
88	14SC00216	TRACK GEAR, PAPER	2
89	14SC00217	GEAR, MO. 5x20T	1
90	14SC00218	PAPER TRACK COVER	1
91	YC3005756	HOUSING COVER w/ WINDOW	1
93	14SC00219	PAPER HOLDER, LEFT	1
94	14SC00220	PAPER HOLDER, RIGHT	1

Item	Part Number	Part Description	Qty
95	14SC00221	PAPER HOLDER LOCK	1
96	YC3005759	HOUSING	1
97	14SC00240	PRINT HEAD GUIDE	1
98	14SC00222	ROLLER BUSHING 2	1
99	WCX405730	PRINT HEAD CABLE	1
A	14SC00223	SCREW, M13x6, PHILLIPS, BLACK	4
B	14SC00224	SCREW, T3x6, PHILLIPS, BLACK	26
C	14SC00225	SCREW, M3x4, PHILLIPS, BLACK	5
D	14SC00226	SCREW, T3x6, PHILLIPS, WASHERED, ZINC	2
E	14SC00227	SCREW, T3x8, PHILLIPS, BLACK	6
F	14SC00228	SCREW, T3x4, PHILLIPS, ZINC	3
G	14SC00229	SCREW, M2.6x6, PHILLIPS, ZINC	8
H	14SC00230	SCREW, T2.6x6, PHILLIPS, NICKEL	9
I	14SC00231	SCREW, T3x10, PHILLIPS, NICKEL	2
J	14SC00232	SCREW, T1.7x4, PHILLIPS, NICKEL	3
K	14SC00233	SCREW, T1.4x2, PHILLIPS	2
L	14SC00234	SCREW, M3x6, PHILLIPS, BLACK	4
M	14SC00235	SCREW, M3x4, PHILLIPS, NICKEL	2
N	14SC00236	SCREW, M2x2, PHILLIPS, NICKEL	2
O	14SC00241	SCREW, M2x3, PHILLIPS, BLACK	3
X	14SC00237	SNAP RING	7
Y	14SC00238	SNAP RING	7
Z	14SC00239	SNAP RING	2