



**DCS & Labeling Worldwide**

# **D508/D512 PRINTER**



# **PARTS LIST**

**SATO America, Inc.**

**10350A Nations Ford Road  
Charlotte, NC 28273**

**Main Phone: (704) 644.1650**

**Technical Support Hotline: (704) 644.1660**

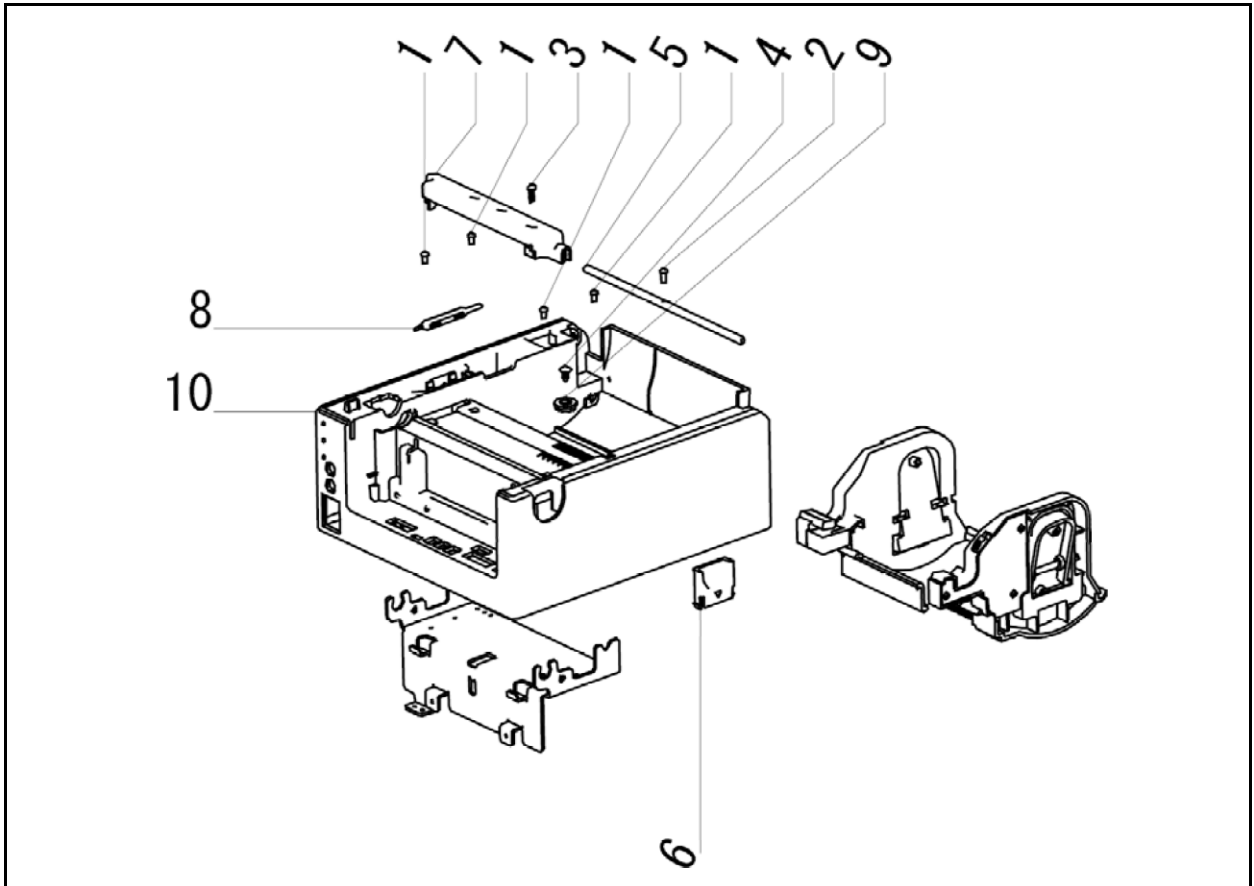
**Technical Support Fax: (704) 644.1661**

**E-Mail: [satosales@satoamerica.com](mailto:satosales@satoamerica.com)**

**[techsupport@satoamerica.com](mailto:techsupport@satoamerica.com)**

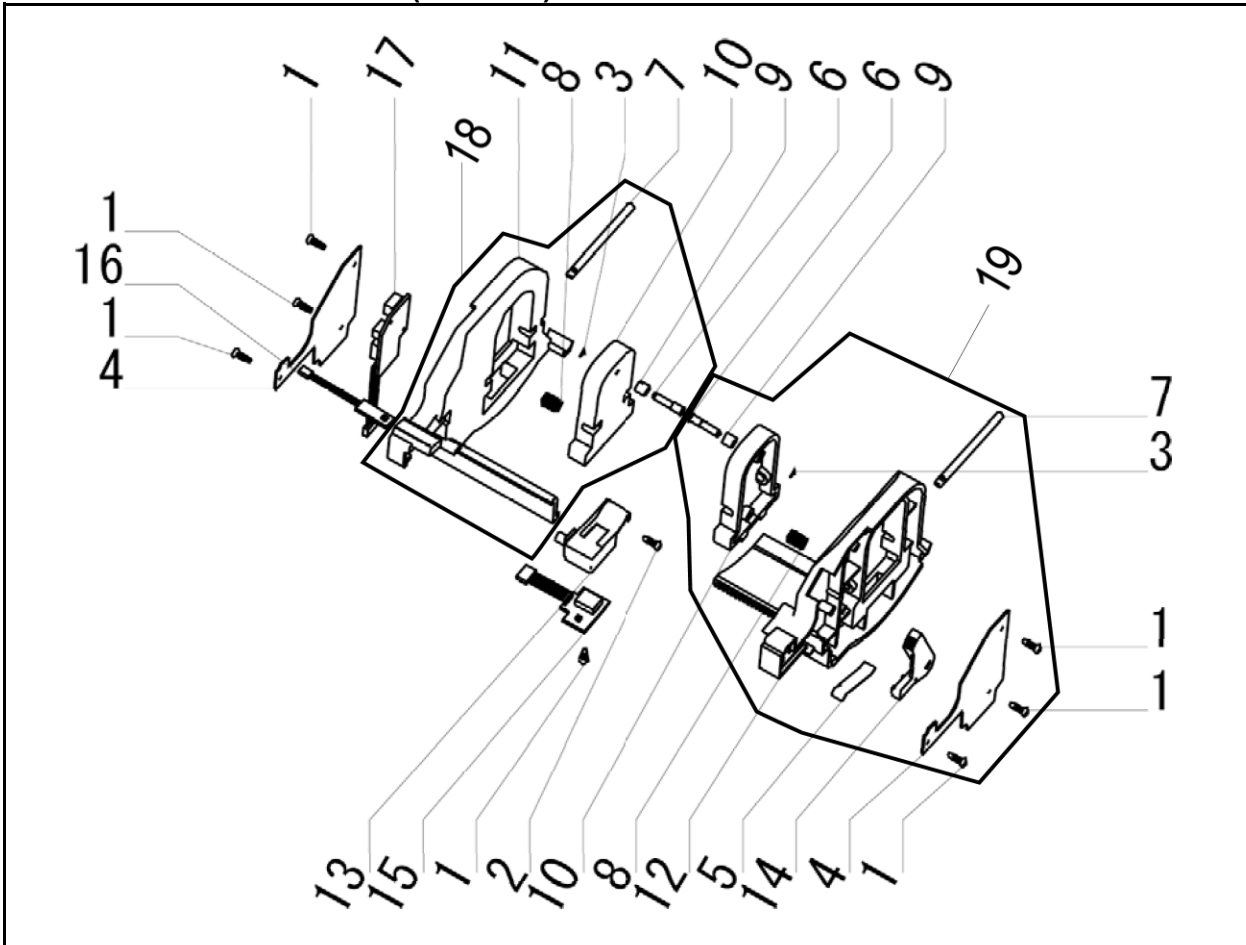
**[www.satoamerica.com](http://www.satoamerica.com)**

## BASE COVER ASSEMBLY



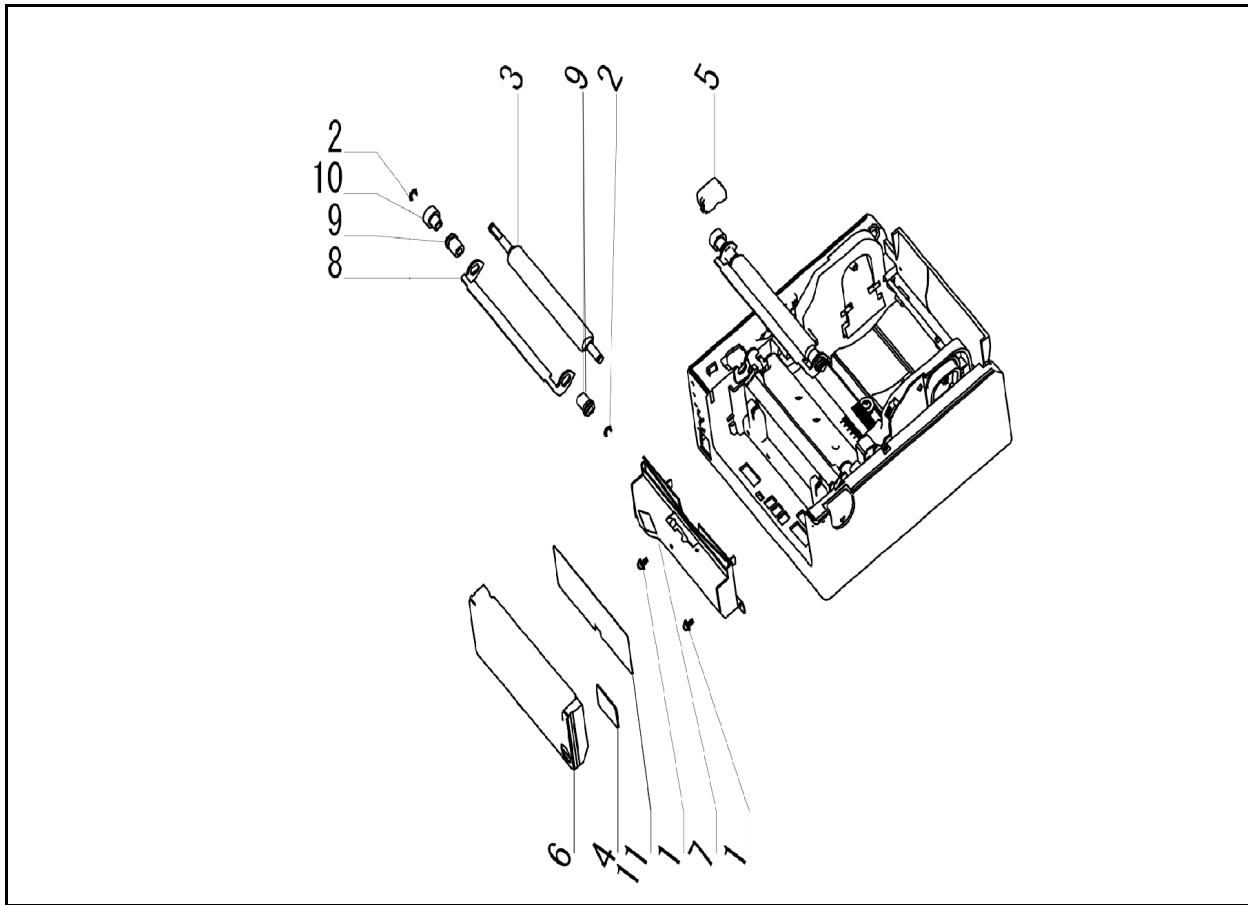
Item No.	Part No.	Description	Type	Qty
1	MA0300622	Screw	Pan Head	4
2	MA0300822	Screw	Pan Head	1
3	MH0301022	Screw	Pan Head P Tight	1
4	MH9300822	Screw	Pan Head P Tight	1
5	P10277000	Shaft	Label Guide	1
6	P10719000	Button	Opening	1
7	P10724000	Cover	RFID	1
8	PE6A21900	Driver	Micro	1
9	PJ0A20500	Gear	L Guide	1
10	R07184000	Cabinet	Bottom	1

**BASE COVER ASSEMBLY (CONT'D)**



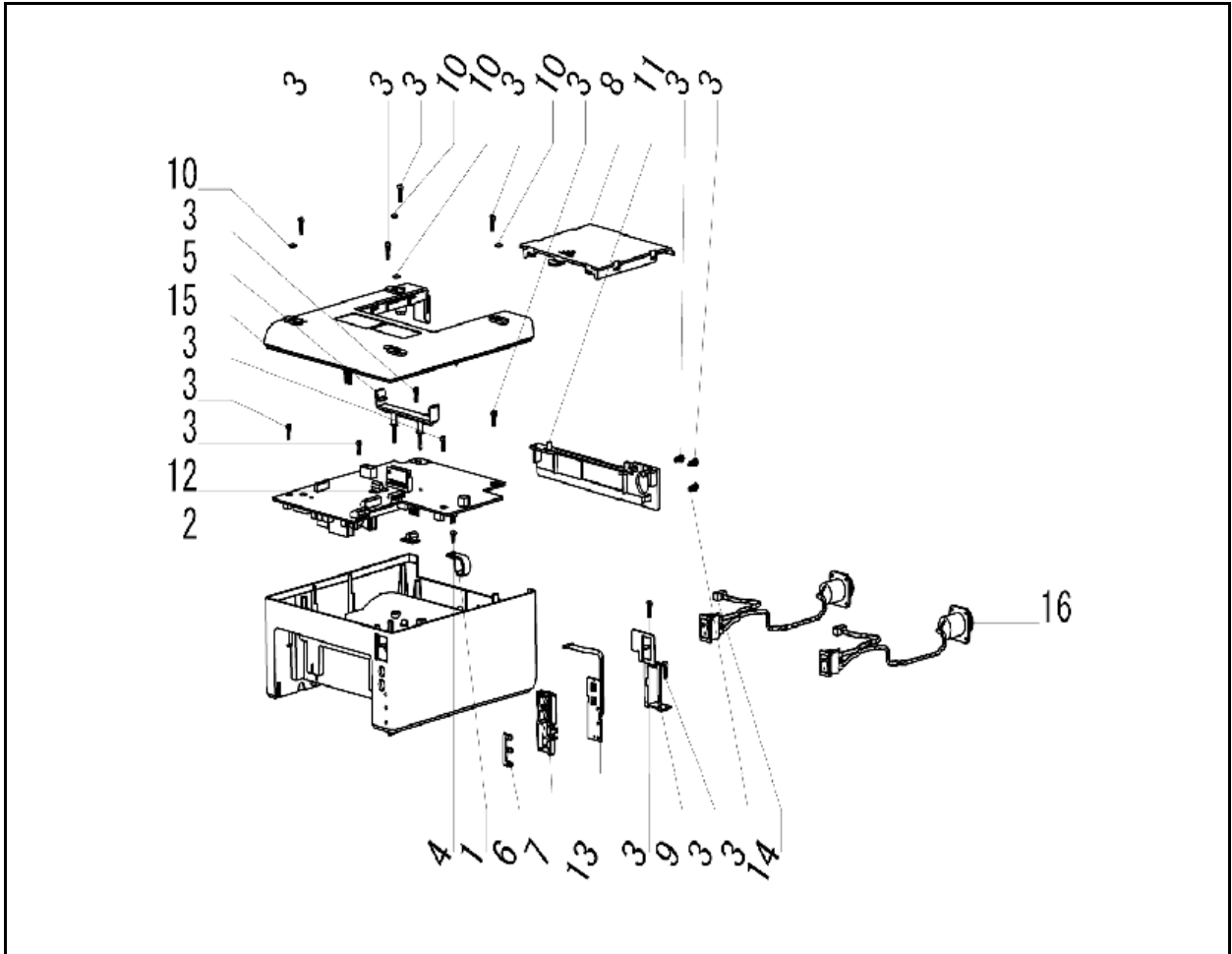
Item No.	Part No.	Part Type	Part Name	Qty	Item No.	Part No.	Part Type	Part Name	Qty
1	MH0250625	Screw	P-TAP PAN TIGHT	7	11	PE5A21202	Guide	LABEL (L)	1
2	MH1300825	Screw	FLAT HEAD P TIGHT	1	12	PE5A21302	Guide	LABEL (R)	1
3	ND0025030	Ring	E SNAP	2	13	PE5A21402	Cover	SENSOR	1
4	PA2A20000	Cover	GUIDE	2	14	PE5A21802	Stopper	GUIDE	1
5	PA4A20000	Spring	PLATE G	1	15	R04681000	Assy	LABEL sensor (A) (eye-mark and lower gap)	1
6	PB0A20500	Shaft	LABEL	2	16	R04683000	Assy	LABEL sensor (B) (upper gap)	1
7	PB0A20600	Shaft	FLAP	2	17	R04684000	Relay	PB ASSY	1
8	PC1A20100	Spring	FLAP	2	18	R05162000	Assy	LABEL (L) SA	
9	PE3A20100	Collar	LABEL	2	19	R05612000	Assy	LABEL (R)	
10	PE5A21100	Guide	FLAP	2					

## BASE COVER ASSEMBLY (CONT'D)



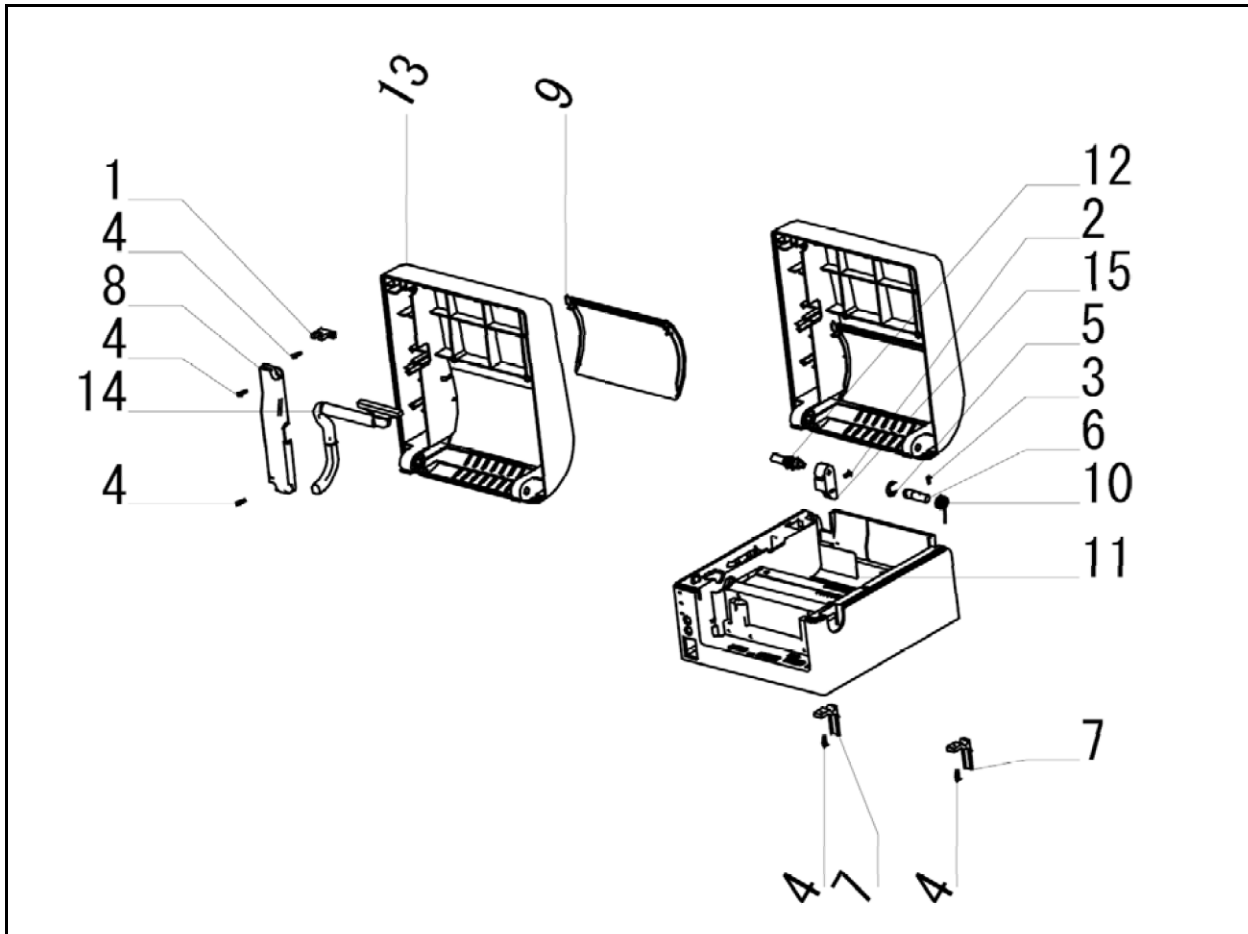
Item No.	Part No.	Part Type	Part Name	Qty	Item No.	Part No.	Part Type	Part Name	Qty
1	MD4300822	Screw	PAN HEAD	2	11	Q01289000	Sticker	DIP SWITCH	1
2	ND0040022	Ring	E-SNAP	2	12	R04726001	Assy	PLATEN SA - Parts 2, 3, 8, 9 and 10	
3	P10255001	Roller	PLATEN	1	13	R07238000	Assy	FRONT PANEL - Parts 4, 6, and 11	
4	P10720020	Window	7 SEG	1					
5	P10722000	Cover	GEAR	1					
6	P10727100		FRONT PANEL	1					
7	P11474000	Unit	CUTTER	1					
8	PA3A20003	Bar	DP	1					
9	PB2A20100	Gear	P.COLLAR	2					
10	PJ0A20201	Gear	P. GEAR	1					

## BASE COVER ASSEMBLY (CONT'D)



Item No.	Part No.	Part Type	Part Name	Qty	Item No.	Part No.	Part Type	Part Name	Qty
1	J00040000	Clamp	NYLON	1	9	PA6A20000	Bracket	POWER SWITCH	1
2	JG100481A	Clamp	CKN	1	10	PE0A20000	Foot		4
3	MH0301022	Screw	PAN HEAD P TIGHT	14	11	PE5A22250	Cover	I/F MAIN	1
4	MH9300822	Screw	PAN HEAD P TIGHT	4	12	R04568602	PCB	MAIN	1
5	P10716010	Clamp		1	13	R04685000	Assy	CONTROL PANEL	1
6	P10717000	Lens		1	14	R04688010	Assy	POWER CABLE, 110V	1
7	P10718000	Button		1	15	R07240000	Case	BOTTOM SA	1
8	P10730200	Cover	IF	1	16	R07831000	Assy	POWER CABLE, 220V	1

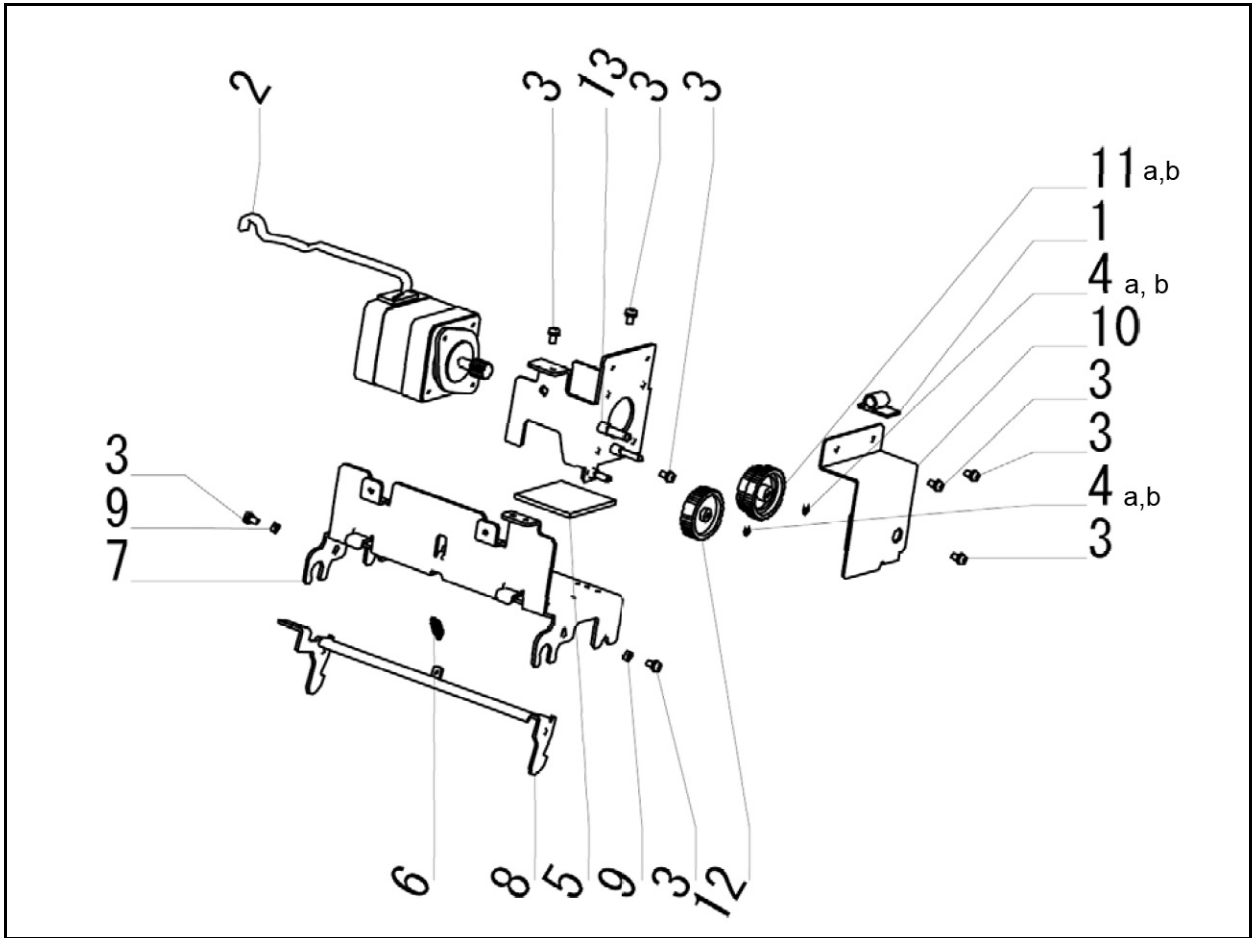
## BASE COVER ASSEMBLY (CONT'D)



Item No.	Part No.	Part Type	Part Name	Qty	Item No.	Part No.	Part Type	Part Name	Qty
1	F00177000	Sensor	PHOTO	1	9	P10733020	Cover	UW	1
2	M16247000	Screw	P TAP FLAT	1	10	P12748010	Spring	DAMPER	1
3	MA0300622	Screw	PAN HEAD	1	11	Q01286000	Label	ROUTE	1
4	MH0301022	Screw	PAN HEAD P TIGHT	5	12	R04731020	Shaft	HINGE L	1
5	ND0070022	Ring	E-SNAP	1	13	R07161000	Cabinet	TOP SA	1
6	P10302010	Shaft	HINGE R	1	14	RH1A20025	Assy	HEAD CABLE	1
7	P10723000	Holder	HINGE SHAFT	2	15	R07241000	Hinge	CLUTCH	1
8	P10726000	Cover	CABLE	1					

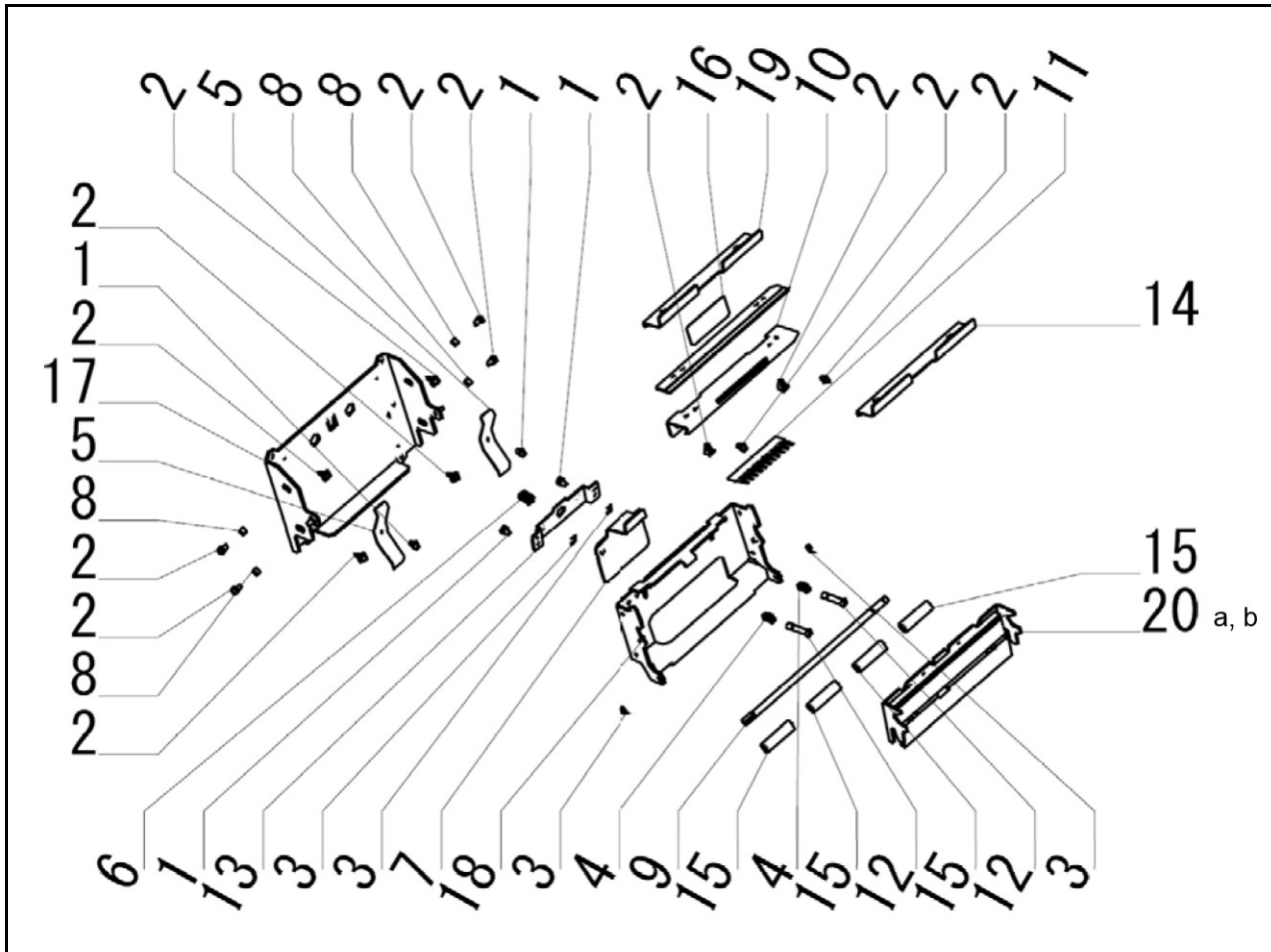


## FRAME ASSEMBLY



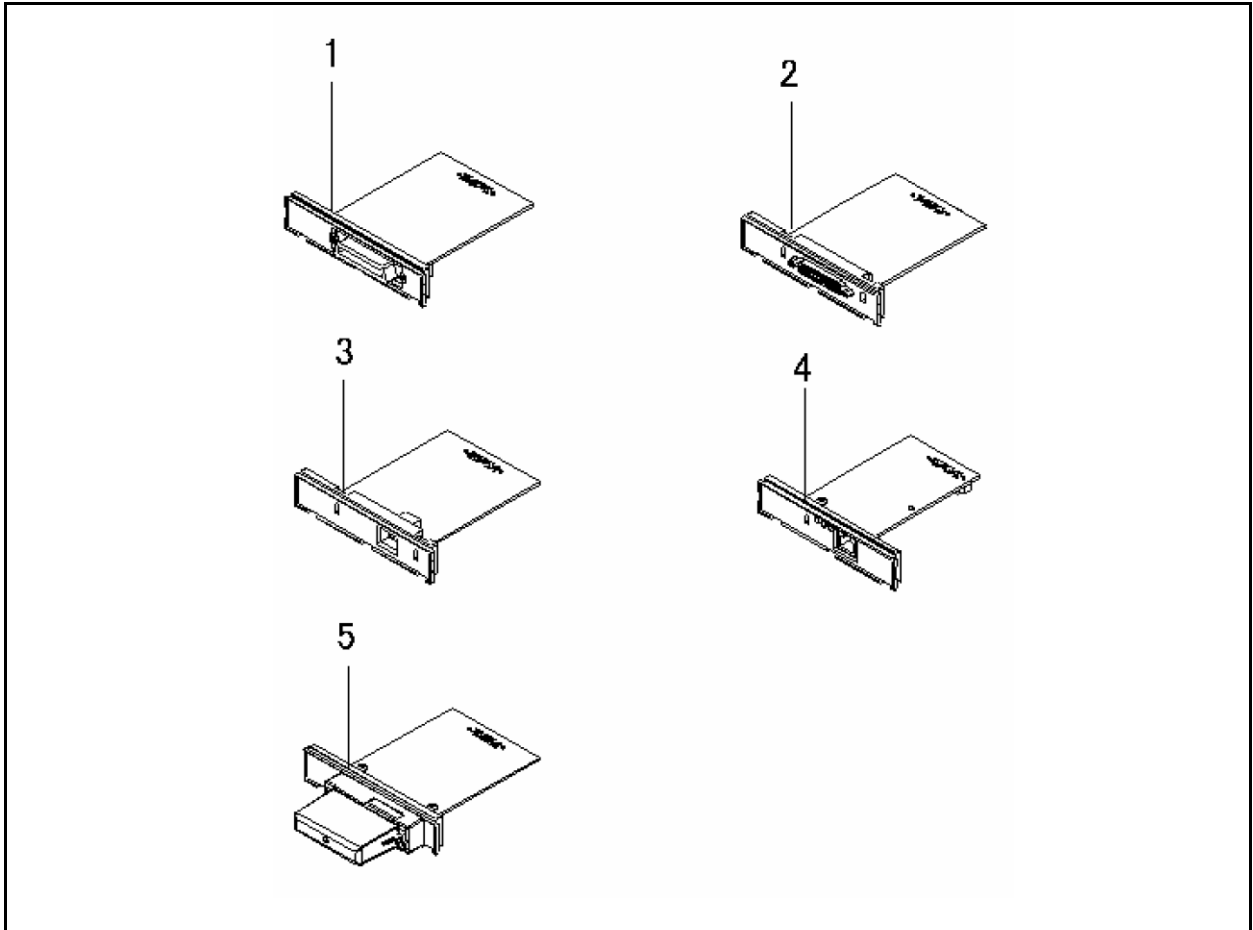
Item No.	Part No.	Part Type	Part Name	Qty	Item No.	Part No.	Part Type	Part Name	Qty
1	JG100481A	Clamp	CKN	1	8	P10713010	Arm	HEAD LOCK	1
2	K00081000	Motor	STEPPING	1	9	P14224000	Collar	HEAD LOCK	2
3	MD3300622	Screw	PAN HEAD	8	10	PA3A20300	Sink	HEAT	1
4a	ND0020030	Ring	E-SNAP (D512)	2	11a	PJ0A20101	Gear	DOUBLE (D512)	1
4b	ND0030022	Ring	E-SNAP (D508)	2	11b	PJ0A20301	Gear	DOUBLE (D508)	1
5	P02367000	Pad	HEAT CONDUCTION	1	12	PJ0A20401	Gear	IDLE	1
6	P10261010	Spring	HEAD LOCK	1	13	PR1A20002	Plate	MOTOR	1
7	P10271000	Frame	ENGINE	1					

# PRINT HEAD ASSEMBLY



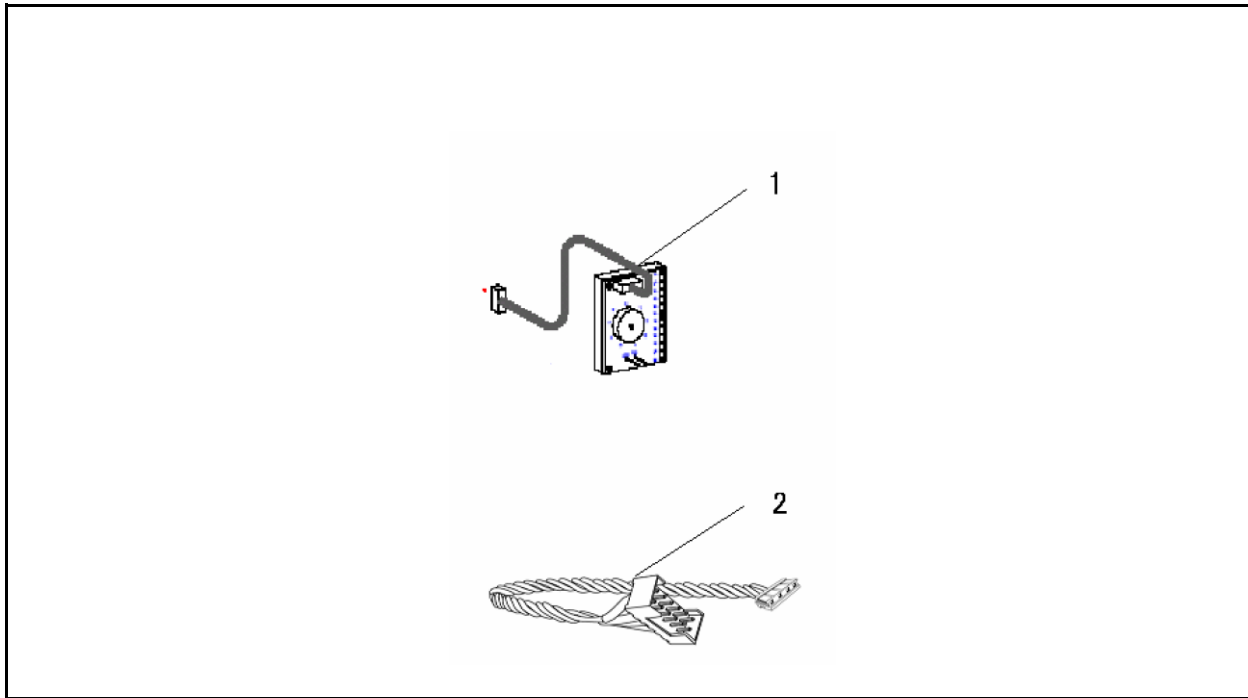
Item No.	Part No.	Part Type	Part Name	Qty	Item No.	Part No.	Part Type	Part Name	Qty
1	MD3300622	Screw	PAN HEAD	4	11	P10285000	Sheet	ANTI STATIC	1
2	MD4300822	Screw	PAN HEAD	11	12	P10299000	Shaft	H PRESSURE	2
3	ND0030022	Ring	E-SNAP	4	13	P10715000	Shaft	P	1
4	P10260000	Spring	PRINT HEAD	2	14	P15922000	Guide	FRONT LABEL	1
5	P10262000	Plate	PRINT HEAD SPRING	1	15	PE3A20000	Rollers	TURN	4
6	P10264000	Spring	LEVER	1	16	Q01296000	Label	CAUTION	1
7	P10272000	Lever	RELEASE	1	17	R04268000	Bracket	TOP PRINT HEAD	1
8	P10281000	Collar		4	18	R04269001	Bracket	PRINT HEAD	1
9	P10282000	Shaft	TURN ROLLER	1	19	R04694000	Cover	CUTTER	1
10	P10284001	Stop	CUTTER	1	20a	R07245000	Head	PRINT 300 DPI (D512)	1
					20b	R04733001	Head	PRINT 200 DPI (D508)	1

## INTERFACES



Item No.	Part No.	Part Type	Part Name	Qty
1	WCT405660	Card	IEEE1284 PARALLEL	1
2	WCT405631	Card	RS232 SERIAL	1
3	WCT405620	Card	USB I/F	1
4	YCT405640	Card	ETHERNET	1
5	YCT405681	Card	WIRELESS LAN	1

## TEST MODULE



Item No.	Part No.	Part Type	Part Name	Item No.	Part No.	Part Type	Part Name
1	RH1773100	Module	TEST MOD ASM	2	RH1A20100	Connector	TEST CONNECTOR