

# **WATO** **DCS & Labeling Worldwide**

## **HT200e PRINTER**



## **PARTS LIST**

**SATO America, Inc.**  
10350A Nations Ford Road  
Charlotte, NC 28273

Main Phone: 704.644.1650  
Technical Support Hotline: 704.644.1660  
Technical Support Fax: 704.644.1661  
E-Mail: [satosales@satoamerica.com](mailto:satosales@satoamerica.com)  
[www.satoamerica.com](http://www.satoamerica.com)

## **ATTENTION**

SOME COMPONENTS IDENTIFIED WITHIN THIS DOCUMENT HAVE DUAL PART NAMES. THE FIRST (ON THE LEFT) IS THE PART NAME AS ASSIGNED BY CORPORATE AND IS THE ONE THAT SHOULD BE USED WHEN PLACING AN ORDER FOR REPLACEMENT PARTS.

THE SECOND (IN PARENTHESIS) IS THE PART NAME THAT IS USED IN THE OPERATOR AND SERVICE MANUALS. THESE INCORPORATE TERMINOLOGY MORE COMMONLY APPLIED IN THE UNITED STATES.

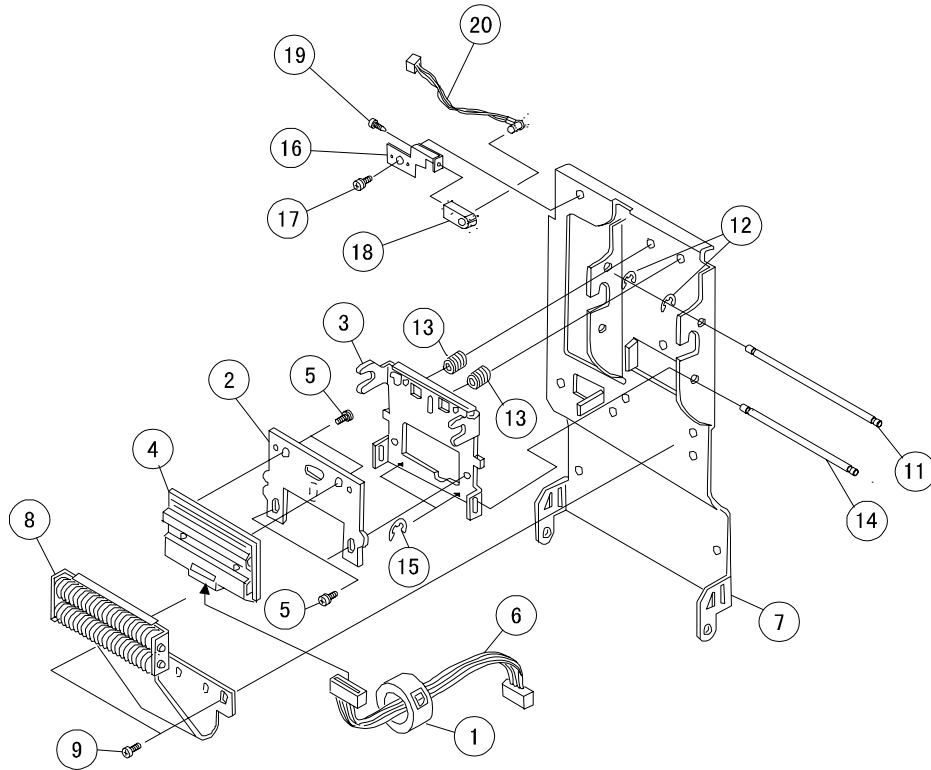
THE ABOVE MENTIONED NAMES MAY BE FOUND IN THE "PART DESCRIPTION" COLUMN OF THE TABLES WITHIN THIS DOCUMENT.

THIS DOCUMENT IS PROVIDED FOR GENERAL INFORMATION AND IS SUBJECT TO CHANGE WITHOUT NOTICE. SATO AMERICA, INC. MAY NOT BE HELD RESPONSIBLE FOR ERRORS THAT MAY APPEAR.

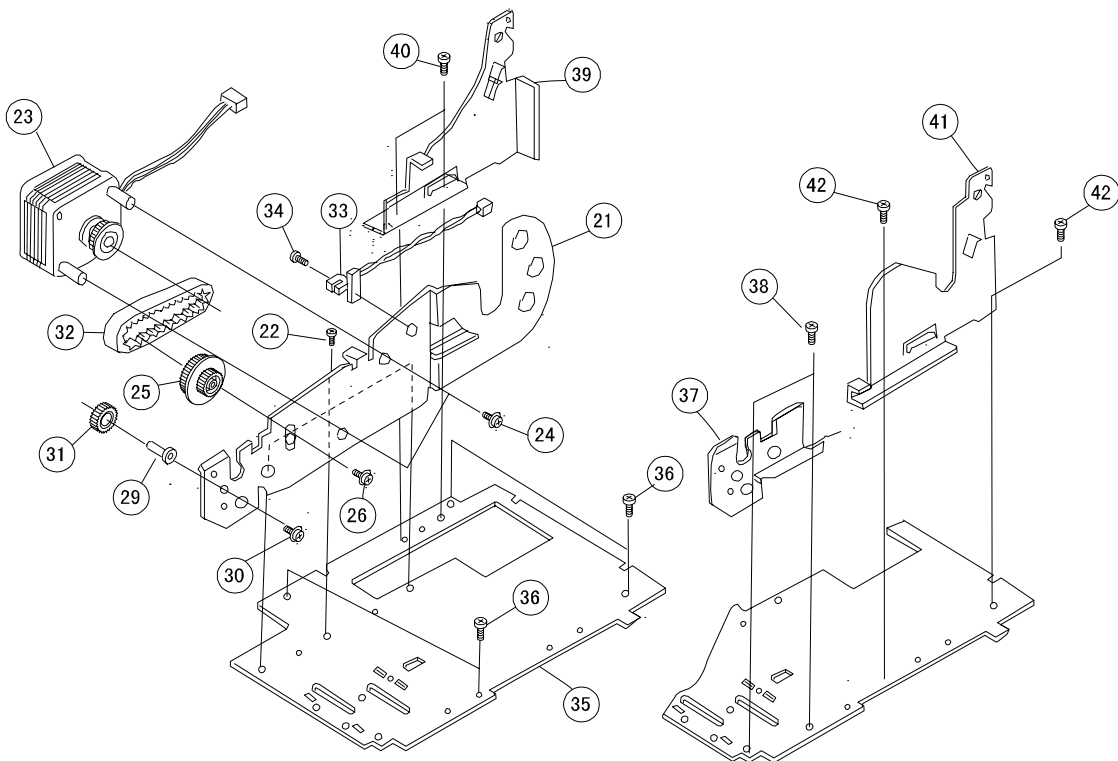
## **WARNING**

THE EQUIPMENT REFERENCED IN THIS DOCUMENT COMPLIES WITH THE REQUIREMENTS IN PART 15 OF FCC RULES FOR A CLASS B COMPUTING DEVICE. OPERATION OF THIS EQUIPMENT IN A RESIDENTIAL AREA MAY CAUSE UNACCEPTABLE INTERFERENCE TO RADIO AND TV RECEPTION REQUIRING THE OPERATOR TO TAKE WHATEVER STEPS ARE NECESSARY TO CORRECT THE INTERFERENCE.

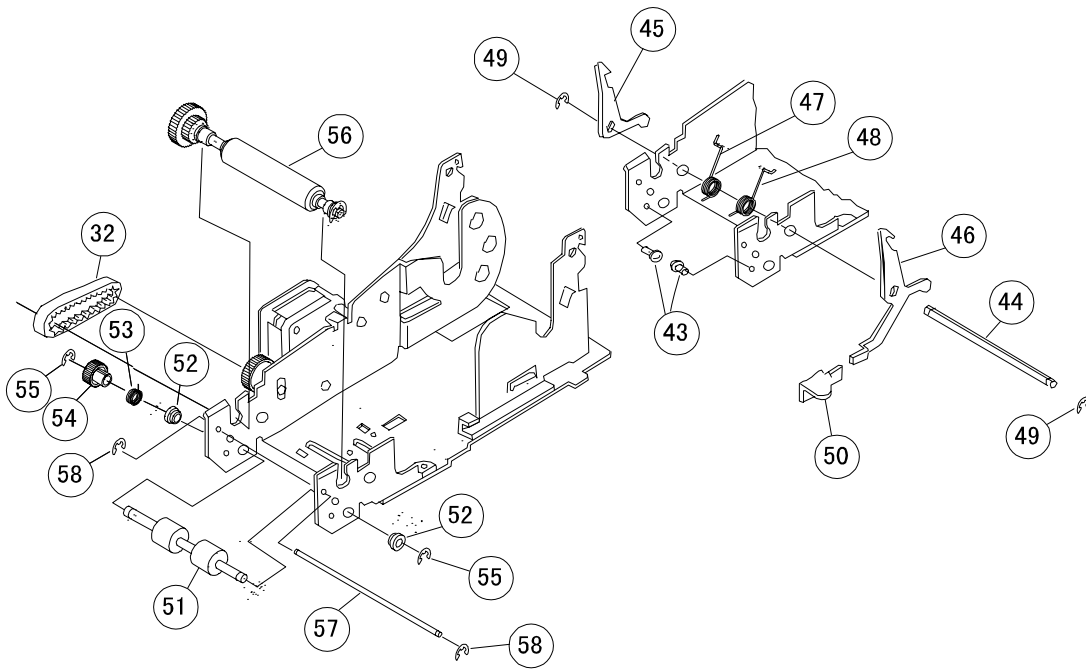
# FRAME ASSEMBLY



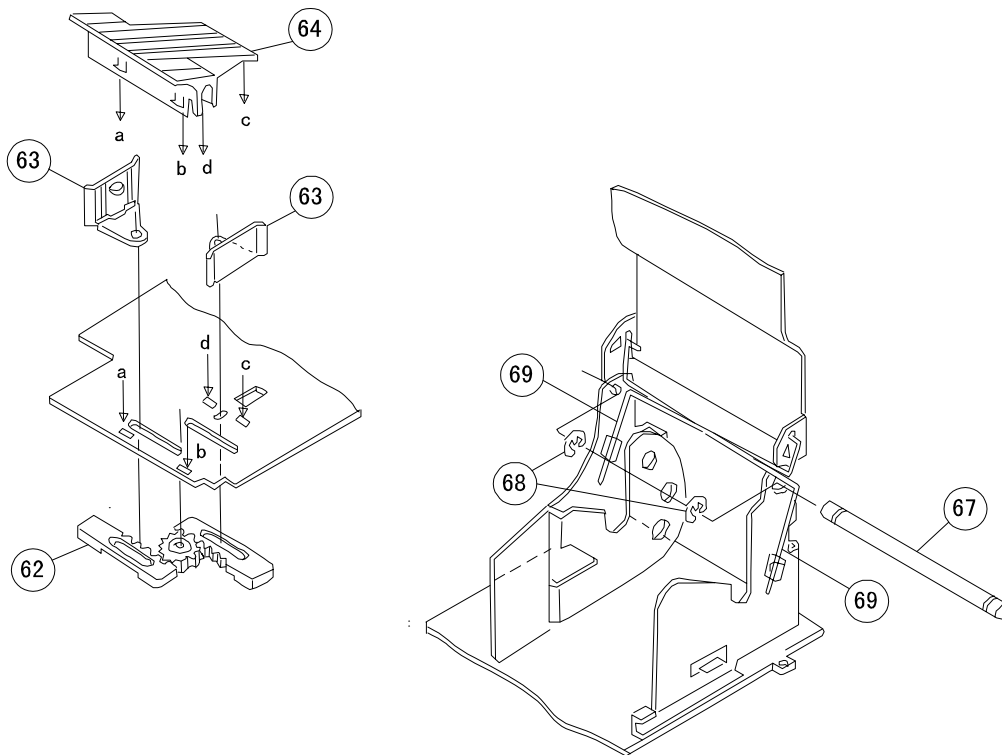
**Figure PL1a, Frame Assembly**



**Figure PL1b, Frame Assembly**



**Figure PL1c, Frame Assembly**



**Figure PL1d, Frame Assembly**

FRAME ASSEMBLY WITH DRIVE TRAIN			
ITEM	PART NUMBER	PART DESCRIPTION	QTY
1	KA200391A	FERRITE CORE W/ PLASTIC CASING	1
2	PA1501002	HEAD HOLDER SUB (PRINT HEAD MOUNTING PLATE)	1
3	P00052000	HEAD HOLDER (PRINT ASSEMBLY BRACKET)	1
4	G00011000	THERMAL HEAD (THERMAL PRINT HEAD)	1
5	MD3300622	PAN HEAD SCREW W/ SPRING & NARROW FLAT WASHERS	4
6	RH1500200	HEAD CORD SET (PRINT HEAD WIRING HARNESS)	1
7	P00051000	TOP FRAME	1
8	PR7500501	PAPER GUIDE SPRING (PAPER GUIDE ROLLER ASSEMBLY)	1
9	MA0300522	PAN HEAD SCREW	2
11	PB0500100	LATCH SHAFT	1
12	ND0020030	SNAP RING, TYPE E	2
13	PC1500101	HEAD SPRING (PRINT HEAD BALANCE SPRING)	2
14	PB0500200	HEAD SHAFT (PRINT ASSEMBLY SHAFT)	1
15	ND0020030	SNAP RING, TYPE E	2
16	PA1501300	SENSOR BRACKET	1
17	MA0300522	PAN HEAD SCREW	1
18	PE1570300	SENSOR HOLDER	1
19	MH0250622	P-TIGHT SCREW, PAN HEAD	1
20	RH1500400	DEM. SEN. TR CORD SET (GAP SENSOR TRANSMITTER)	1
21	PA1500301	LEFT SIDE PLATE	1
22	MA0300522	PAN HEAD SCREW	3
23	PR7500202	STEPPER MOTOR	1
24	MD4300622	PAN HEAD SCREW	2
25	PR7500600	IDLE PULLEY W/POST	1
26	MD4300622	PAN HEAD SCREW W/ SPRING WASHER & WIDE FLAT WASHER	1
29	PB0500501	IDLE GEAR POST	1
30	MD4300622	PAN HEAD SCREW	1
31	PE8500600	GEAR, 0.5*20	1
32	PT8065048	TIMING BELT	2
33	RH1500501	HEAD OPEN CORD SET (HEAD OPEN SENSOR ASSEMBLY)	1
34	MA0300522	PAN HEAD SCREW	1
35	PR4500201	BASE PLATE	1
36	MH0300822	P-TIGHT SCREW, PAN HEAD	4
37	PA1500401	RIGHT SIDE PLATE	1
38	MA0300522	PAN HEAD SCREW	2
39	PA1500700	HINGE STAY (LEFT LID HINGE)	1
40	MA0300522	PAN HEAD SCREW	2
41	PA1500500	RIGHT ROLL PLATE (RIGHT LID HINGE)	1
42	MA0300522	PAN HEAD SCREW	2

FRAME ASSEMBLY WITH DRIVE TRAIN			
ITEM	PART NUMBER	PART DESCRIPTION	QTY
43	PT9500200	NYLON RIVET	2
44	PB0500600	LATCH HANDLE SHAFT (LATCH SHAFT)	1
45	PA1500800	LEFT LATCH HANDLE (LEFT LATCH LEVER)	1
46	PA1500900	RIGHT LATCH HANDLE (RIGHT LATCH LEVER)	1
47	PC2500101	LEFT LATCH SPRING	1
48	PC2500201	RIGHT LATCH SPRING	1
49	ND0030030	SNAP RING, TYPE E	2
50	PE1500104	LATCH COVER (LATCH BUTTON)	1
51	PR0500200	DISPENSER ROLLER, 12*20	1
52	PT2500100	BEAR FIGHT (BUSHING)	2
53	PC2500302	SPRING	1
54	PE8500700	GEAR, 0.5*25	1
55	ND0040030	SNAP RING, TYPE E	2
56	PR7500100	PLATEN ROLLER SET (PLATEN ROLLER ASSEMBLY0	1
57	PB0500701	PIN ROUTE CHANGING (DISPENSER BAR)	1
58	ND0020030	SNAP RING, TYPE E	2
62	PR9500100	RACK (LABEL GUIDE RATCHET)	1
63	PE1500600	SIDE PAPER GUIDE (LEFT & RIGHT LABEL GUIDE)	2
64	PE1500701	LABEL GUIDE (LABEL RAMP)	1
67	PB0500800	MAIN SHAFT (LID HINGE SHAFT)	1
68	ND0040030	SNAP RING, TYPE E	2
69	PC2500401	TORSION BAR	2

## TOP HOUSING COVER ASSEMBLY

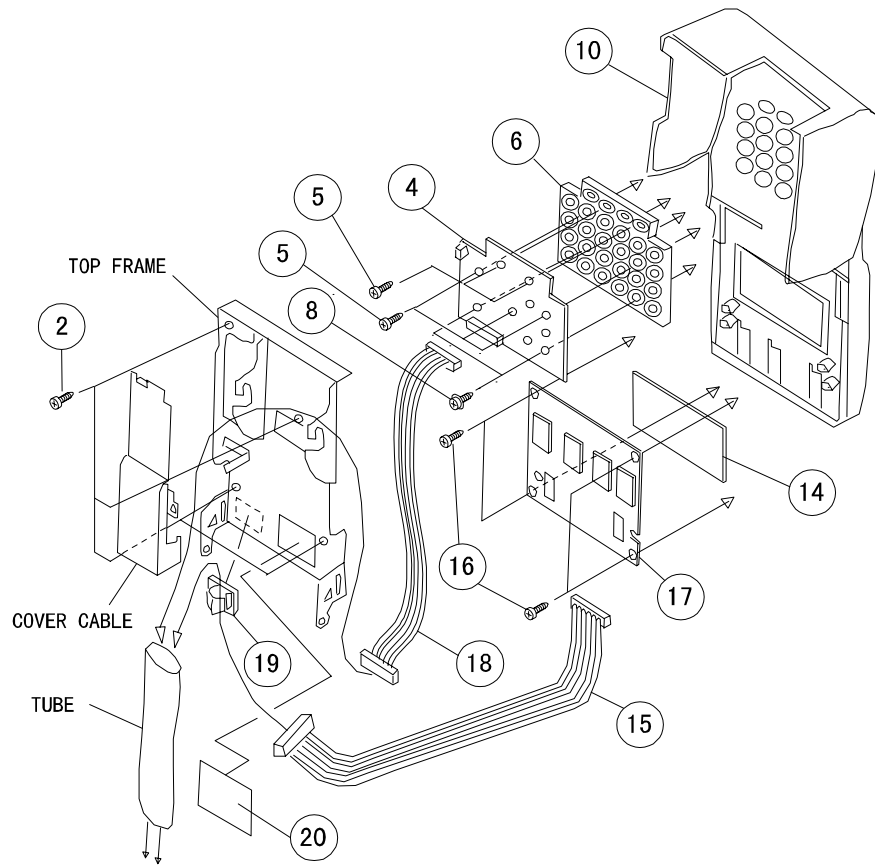


Figure PL2, Top Housing Cover Assembly

TOP HOUSING COVER ASSEMBLY			
ITEM	PART NUMBER	PART DESCRIPTION	QTY
2	MH0300822	P-TIGHT SCREW, PAN HEAD	4
4	RJ1A45201	KEY PCB SET (KEYPAD CIRCUIT BOARD)	1
5	MH0300822	P-TIGHT SCREW, PAN HEAD	7
6	P00300000	KEYPAD	1
10	P00297000	TOP COVER (TOP HOUSING COVER)	1
14	PE6501800	PROTECTION SHEET (WINDSHIELD, CLEAR PLASTIC)	1
15	RH1A40001	LCD CABLE ASSEMBLY (LCD WIRING HARNESS)	1
16	MH0300822	P-TIGHT SCREW, PAN HEAD	4
17	FA302701A	CUSTOM LCD (LCD BOARD)	1
18	RH1A40900	KEY CABLE ASSEMBLY (KEYBOARD WIRING HARNESS)	1
19	JG100441A	CKN CLAMP (CABLE CLAMP, CKN)	1

# BASE ASSEMBLY

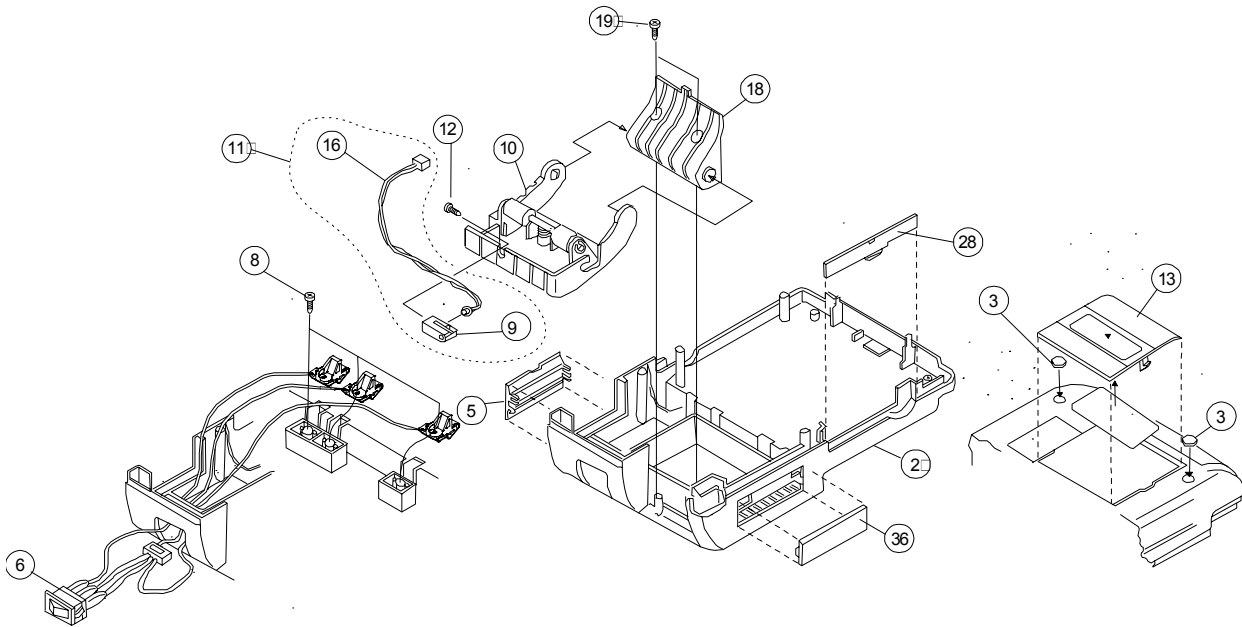


Figure PL3a, Base Assembly

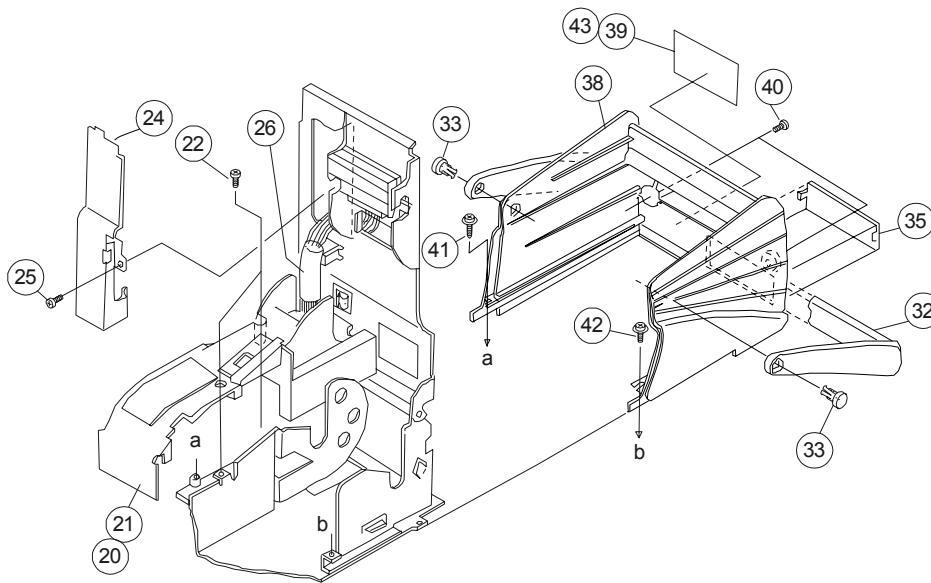


Figure PL3b, Base Assembly



<b>BASE ASSEMBLY</b>			
<b>ITEM</b>	<b>PART NUMBER</b>	<b>PART DESCRIPTION</b>	<b>QTY</b>
2	PZ0500602	BOTTOM COVER (PRINTER CHASSIS)	1
3	PE0A20000	BOOT, RUBBER	2
5	PE6500202	CONNECTOR COVER	1
6	PR7501400	POWER CORD SA (POWER SWITCH ASSEMBLY)	1
8	MH0300822	P-TIGHT SCREW, PAN HEAD	3
9	PE1570300	SENSOR HOLDER (DISPENSER SENSOR HOLDER)	1
10	PR7500905	SENSOR FRAME (DISPENSER BRACKET)	1
11	PR7501000	DISPENSER SENSOR (DISPENSER SENSOR W/ HOLDER)	1
12	MH0250622	PAN HEAD SCREW	1
13	PE6500502	IC COVER (BATTERY COVER)	1
16	RH1500300	DEM. SEN. (d) CORD SET (DISPENSER SENSOR ASSEMBLY)	1
18	PE1500201	PAPER GUIDE (B)	1
19	MH0300822	P-TIGHT SCREW, PAN HEAD	2
20	PR4500501	MOTOR COVER	1
22	MA0300522	PAN HEAD SCREW	2
24	PA1501201	CABLE COVER	1
25	MA0300522	PAN HEAD SCREW	1
26	JC300421A	HEAT RESISTANT PVC TUBE	a/r
28	PE6500302	M/C COVER (MEMORY CARD COVER)	1
32	PE1500502	HANDLE	1
33	PE6500603	HANDLE PIN, RED PLASTIC	2
35	PE6500102	LID (EXTERNAL LABEL SUPPLY COVER)	1
36	PE6501402	MAINTENANCE COVER	1
38	PH0500405	REAER COVER (REAR HOUSING COVER)	1
40	MA0300522	PAN HEAD SCREW	2
41	MH9300822	P-TIGHT SCREW, PAN HEAD	1
42	MD4300622	PAN HEAD SCREW	1

# MAIN BOARD ASSEMBLY

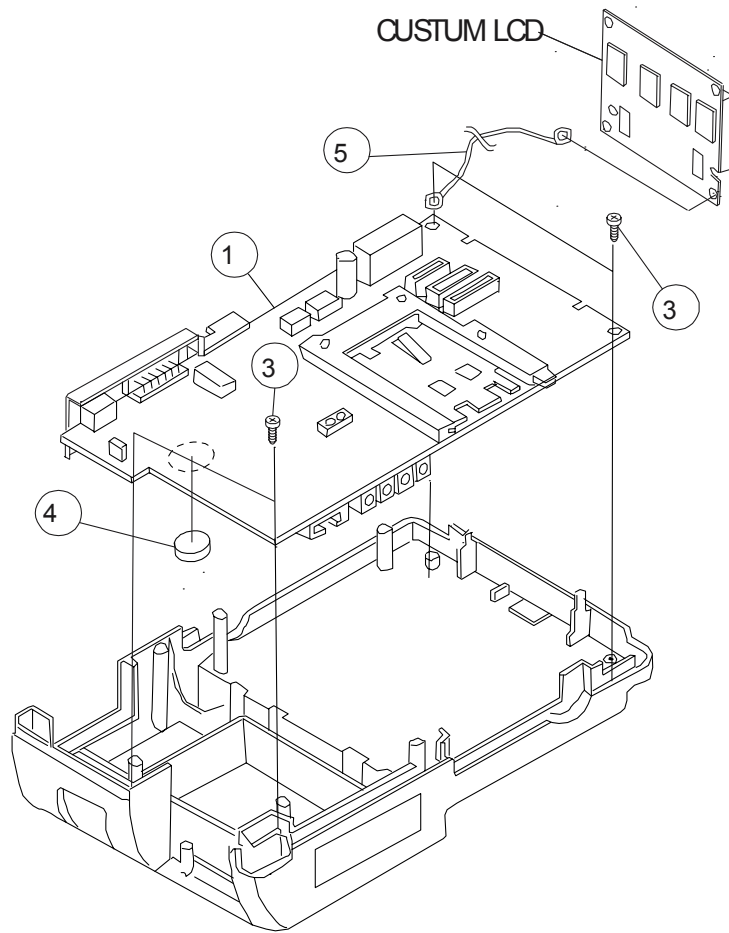


Figure PL4, Main Board Assembly

MAIN BOARD ASSEMBLY			
ITEM	PART NUMBER	PART DESCRIPTION	QTY
1	RJ1A45102	CONT PCB SET (MAIN CIRCUIT BOARD)	1
3	MH0300822	P-TIGHT SCREW, PAN HEAD	4
4	KA800261A	BATTERY	1
5	RH1A40800	LCD FG CORD SET (LCD WIRING HARNESS)	1

## POWER SUPPLY ASSEMBLY

---

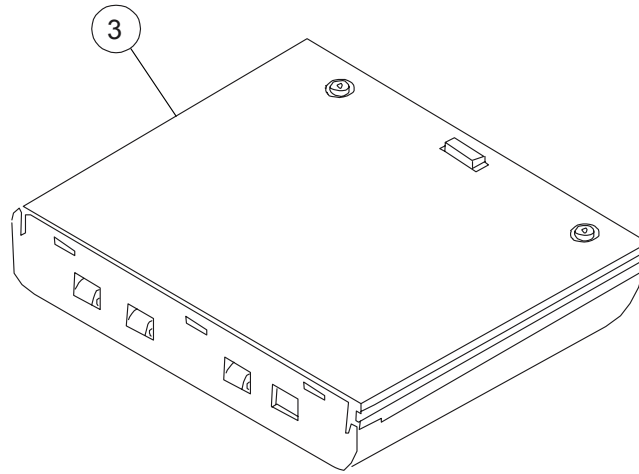


Figure PL5, Power Supply Assembly

POWER SUPPLY ASSEMBLY			
ITEM	PART NUMBER	PART DESCRIPTION	QTY
3	RJ0500208	POWER SUPPLY ASSEMBLY	1

