



PARTS LIST

For printer model:

M-10e



PN: 9001099C

SATO America, Inc.
10350A Nations Ford Road
Charlotte, NC 28273
Main Phone: (704) 644-1650
Tech Support: (704) 644-1660
Fax: (704) 644-1662
E-Mail: satosales@satoamerica.com
www.satoamerica.com

© **Copyright 2012**

SATO America, Inc.
All rights reserved.

No part of this document may be reproduced or issued to third parties in any form whatever without the express permission of SATO America, Inc. The materials in this document are provided for general information and are subject to change without notice. SATO America, Inc. assumes no responsibility for any errors that may appear.

Spare Parts List Overview

The following parts assemblies are included in this section.

- Bottom Assembly
- Side Frame RH Assembly
- Side Frame LH Assembly
- Main PCBA Assembly
- Ribbon PCB Assembly
- Frame C Assembly
- Frame E Assembly
- Stay Assembly
- Head Lock Assembly
- Pressure Roller Assembly
- Platen Roller Assembly
- Feed Roller Assembly
- Guide Plate Top Assembly
- Head Assembly
- Ribbon Unwind Assembly
- Ribbon Rewind Assembly
- Cover Assembly
- Keyboard Assembly
- Tear Off Cutter Assembly
- Cutter Assembly (Option)
- Unwind Assembly (Option)
- Stacker Assembly (Option)
- Interface Board Assembly

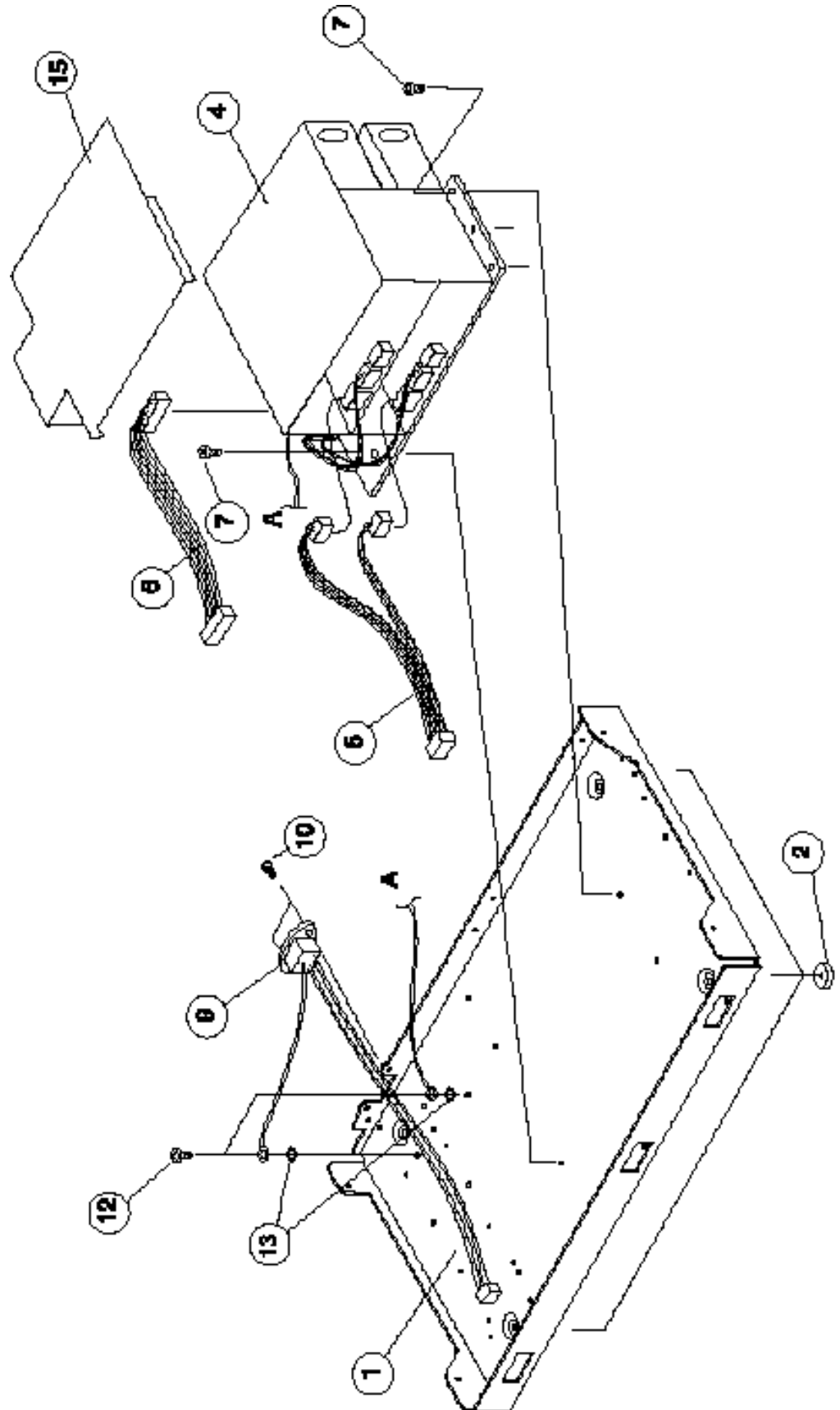
Note:

The spare parts information in this manual is accurate at the time of publication and is subject to change without notice.

Bottom Assembly

NO	CODE	DESCRIPTION	QTY
1	PA5A60010	BOTTOM PLATE	1
2	PT6680100	RUBBER FOOT	4
4	K00023000	POWER SUPPLY	1
5	RH1A60200	POW1 CORD SET	1
6	RH1A60300	POW2 CORD SET	1
7	MD4300622	PAN HEAD SCREW	7
9	RH1A60010	AC CORD SET	1
10	MD3300822	PAN HEAD SCREW	2
12	MD0400622	PAN HEAD SCREW	2
13	NB2040022	LOCK WASHER	2
15	P03036000	COVER	1

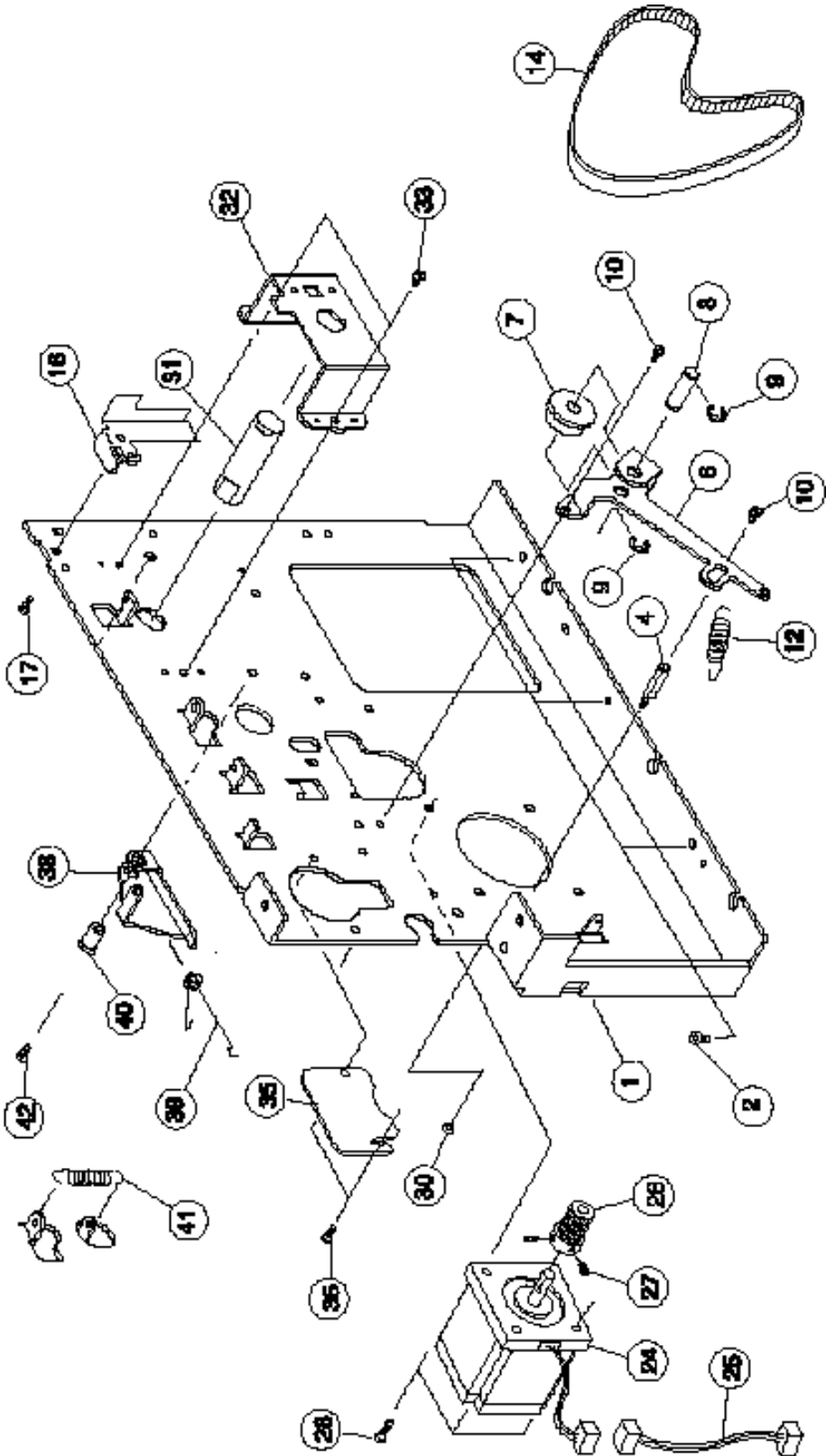
Bottom Assembly



Side Frame RH Assembly

NO.	CODE	DESCRIPTION	QTY
1	PA6A60002	SIDE FRAME(R)	1
2	MD4300622	PAN HEAD SCREW	3
4	PT9A60000	PCB SPACER	1
6	PA3A60001	BRACKET	1
7	PE3720100	TENSION ROLLER	1
8	PB0740900	SHAFT(TENSION ROLLER)	1
9	ND0040030	E-SNAP RING	2
10	MD4300622	PAN HEAD SCREW	2
12	PC0A60101	SPRING(TENSION ROLLER)	1
14	PU3400060	TIMING BELT(S2M*400)	1
16	P00228010	HEAD STOPPER	1
17	MD4300622	PAN HEAD SCREW	1
24	KB200371A	STEPPER MOTOR	1
25	RH1A61700	STEPPER MOTOR CABLE	1
26	PR1A60500	PULLEY	1
27	MJ1400524	W-POINT SET SCREW	2
28	MD3401022	PAN HEAD SCREW	4
30	MT1300522	HEX NUT	1
31	PB0A60100	SHAFT(TOP FRAME)	1
32	PA3A60200	RIBBON BRACKET(RL)	1
33	MD0300422	PAN HEAD SCREW	2
35	PA1A60100	SUPPORTER CLAMP(B)	1
36	MJ9300322	THIN HEAD SCREW	2
38	PA3A60800	PLATE(ESCAPE)	1
39	PC2A60000	SPRING(FEED ROLLER)	1
40	PB0A60202	SHAFT(SPRING)	1
41	P00669000	SPRING (FEED ROLLER)	1
42	MD4301422	PAN HEAD SCREW	1

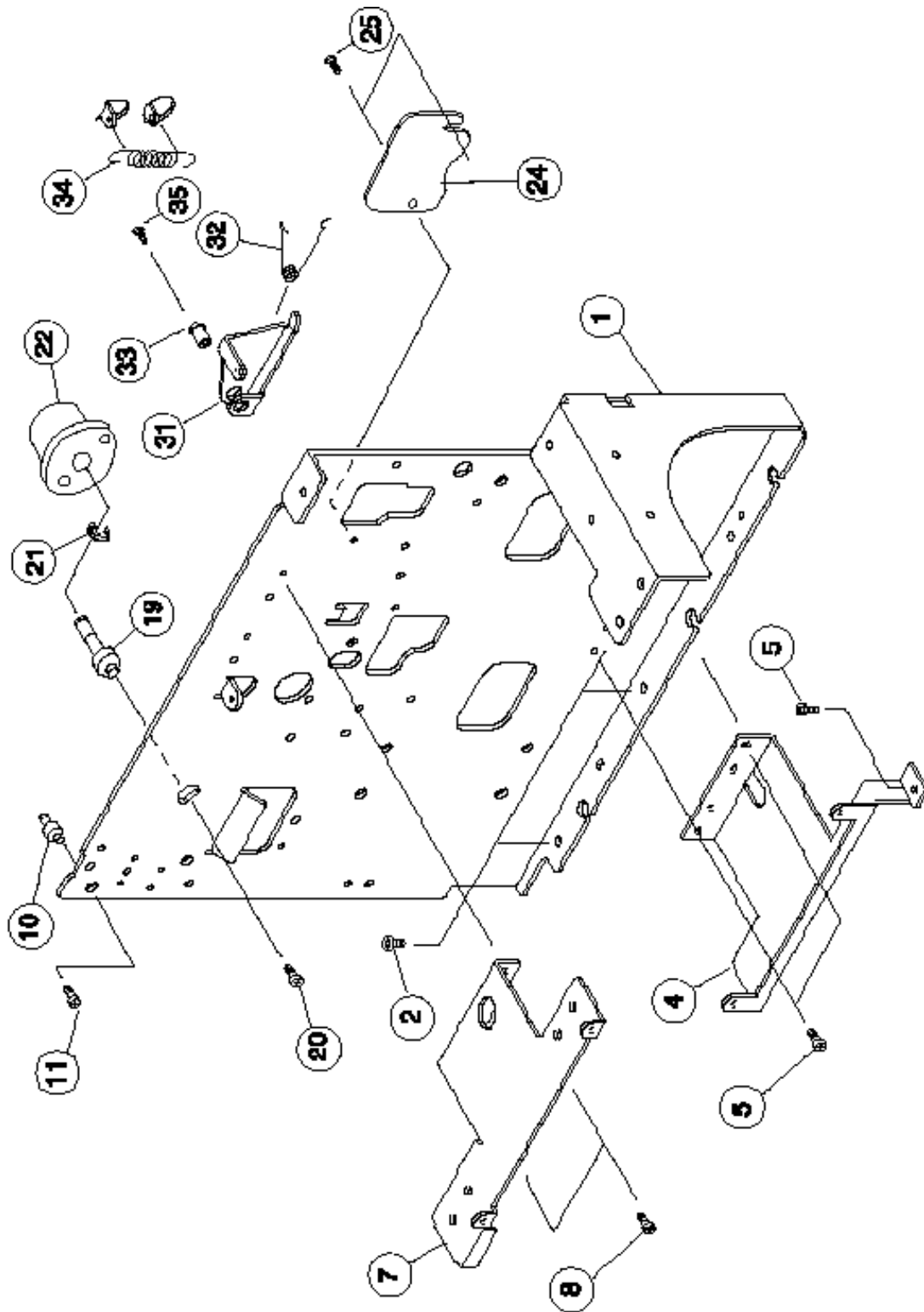
Side Frame RH Assembly



Side Frame LH Assembly

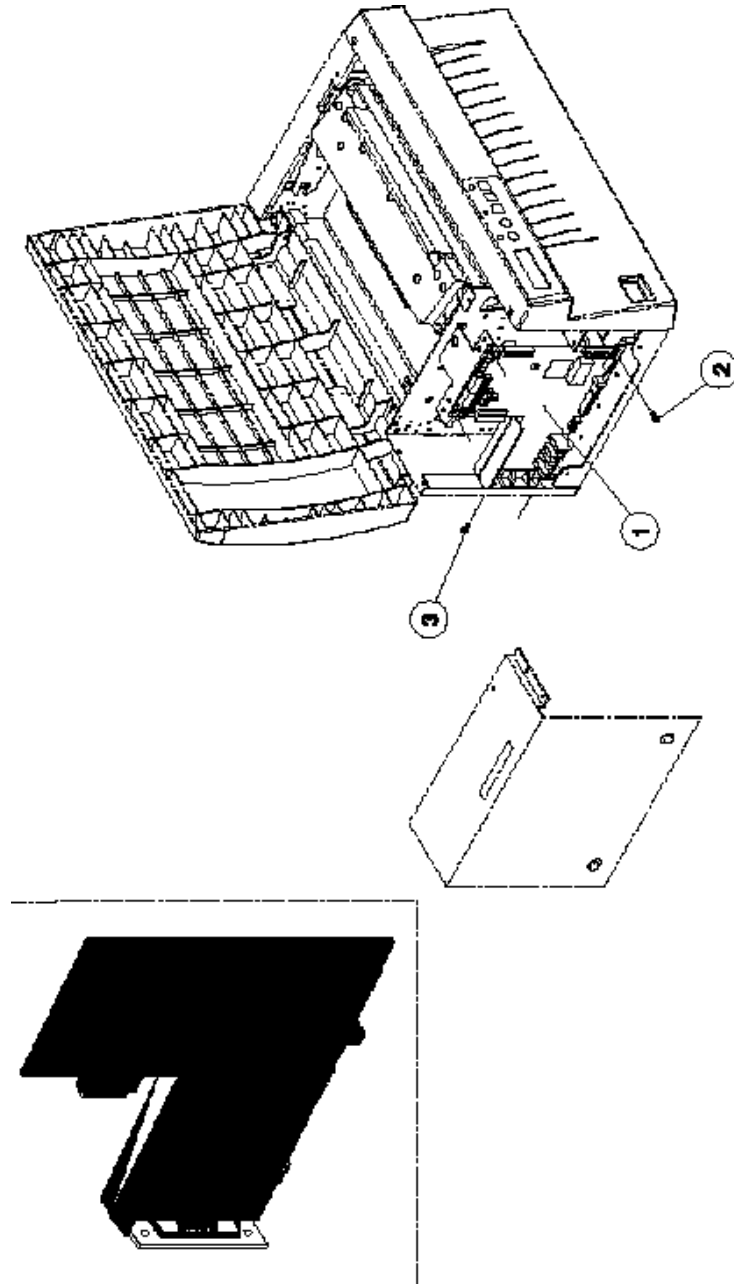
NO.	CODE	DESCRIPTION	QTY
1	P00271000	SIDE FRAME(L)	1
2	MD4300622	PAN HEAD SCREW	3
4	PA3A60400	PCB BRACKET(BOTTOM)	1
5	MD4300422	PAN HEAD SCREW	3
7	PA3A60500	PCB BRACKET(TOP)	1
8	MD0300422	PAN HEAD SCREW	2
10	PB0A62101	POST(COVER)	1
11	MD4300622	PAN HEAD SCREW	1
19	P03042000	RIBBON SHAFT(FF)	1
20	MD4401022	PAN HEAD SCREW	1
21	ND0060030	E-SNAP RING	1
22	PT9A60100	ONE WAY HINGE	1
24	PA1A60100	SUPPORTER CLAMP(B)	1
25	MJ9300322	THIN HEAD SCREW	2
31	PA3A60300	PLATE	1
32	PC2A60100	SPRING(FEED ROLLER)L	1
33	PB0A60202	SHAFT(SPRING)	1
34	P00669000	SPRING (FEED ROLLER)	1
35	MD4301422	PAN HEAD SCREW	1

Side Frame LH Assembly



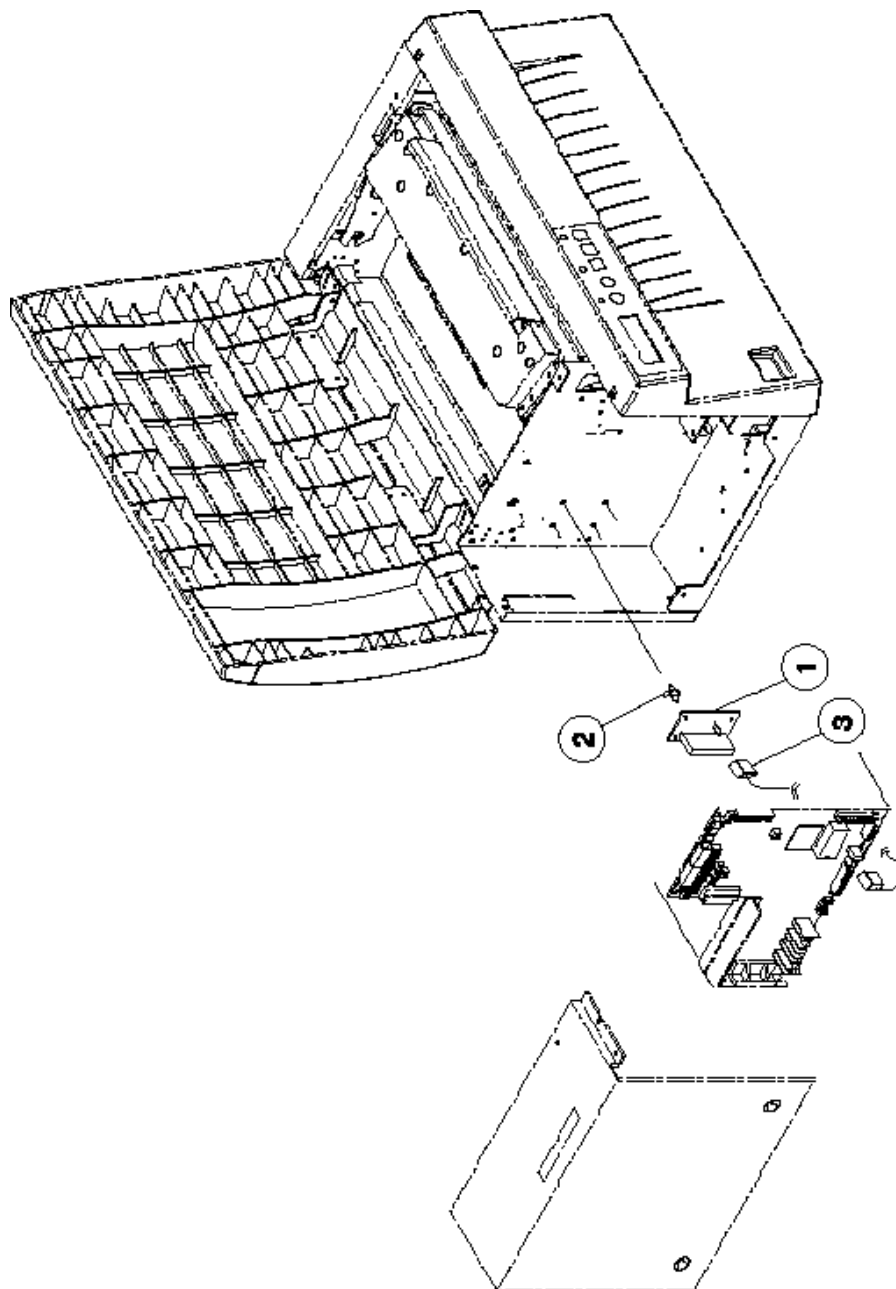
Main PCBA Assembly

ITEM	CODE	DESCRIPTION	QTY
1	R01077002	MAIN PCBA	1
2	MD4300622	PAN HEAD SCREW	4
3	MA2300622	BIND SCREW	2



Ribbon PCB Assembly

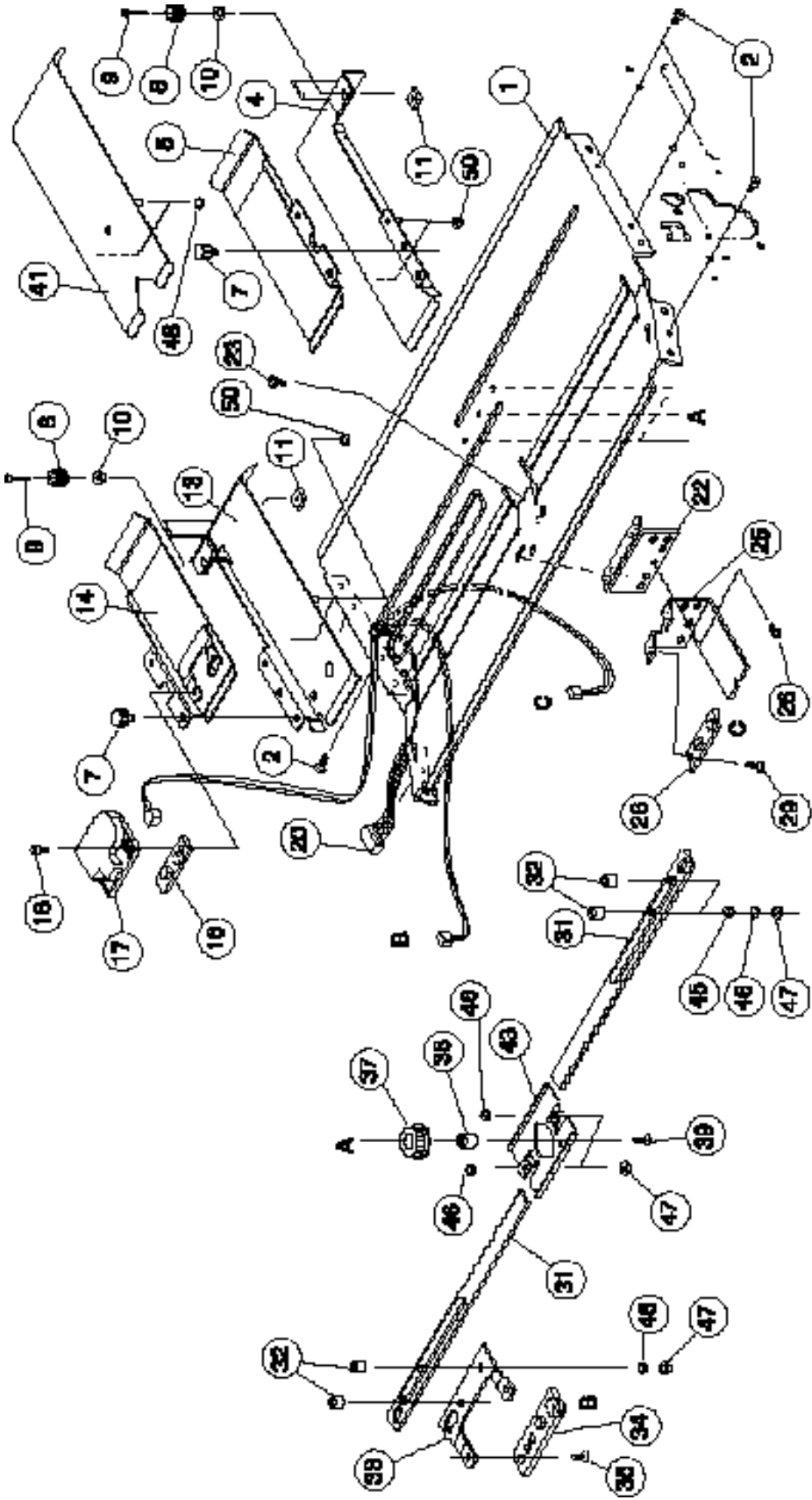
ITEM	CODE	DESCRIPTION	QTY
1	RJ1A60500	RIBBON PCBA	1
2	KE900711A	CARD SPACER	4
3	RH1A61101	RIBBON CABLE ASSY	1



Frame C Assembly

NO.	CODE	DESCRIPTION	QTY
1	PR4A60001	FRAME(C)	1
2	MD4300622	PAN HEAD SCREW	6
4	PR3A60002	RACK PLATE(R)	1
5	PA3A61301	GUIDE PLATE(R)	1
7	PT9A60200	HAND SCREW	2
8	PE2750400	GUIDE COLLAR(STACKER)	2
9	MC0301622	PAN HEAD SCREW	2
10	MT1300522	HEX NUT	2
11	PA1A60000	NUT PLATE	2
13	PR3A60102	RACK PLATE(L)	1
14	PR3A60510	GUIDE PLATE(L)	1
16	RJ1A60300	CABLE SENSOR (TOP)	1
17	PE6A60001	COVER (SENSOR)	1
18	MD3300522	PAN HEAD SCREW	1
20	RH1A61001	SEN CABLE ASSY	1
22	PA3A61100	SENSOR BRACKET	1
23	MA1300422	FLAT SCREW	2
25	PA3A61000	SENSOR BRACKET (B)	1
26	MD4300622	PAN HEAD SCREW	1
28	RJ1A60400	AUTO LOAD SENSOR	1
29	MD4300422	PAN HEAD SCREW	1
31	PE8A60010	PLATE(RACK)	2
32	P00585010	COLLAR	4
33	PA3A61700	SENSOR BRACKET (F)	1
34	RJ1A60203	LABEL SENSOR (BOTTOM)	1
35	MD4300422	PAN HEAD SCREW	1
37	PE8500200	GEAR	1
38	P00619000	COLLAR	1
39	MD4300622	PAN HEAD SCREW	1
41	PR3A60201	GUIDE PLATE(BOTTOM)	1
43	PA3A61800	GUIDE PLATE(RACK)	1
45	NA1030022	WASHER	2
46	NB0030022	WASHER	6
47	MT1300522	HEX NUT	6
48	NA1030022	WASHER	2
50	NA1030022	WASHER	4

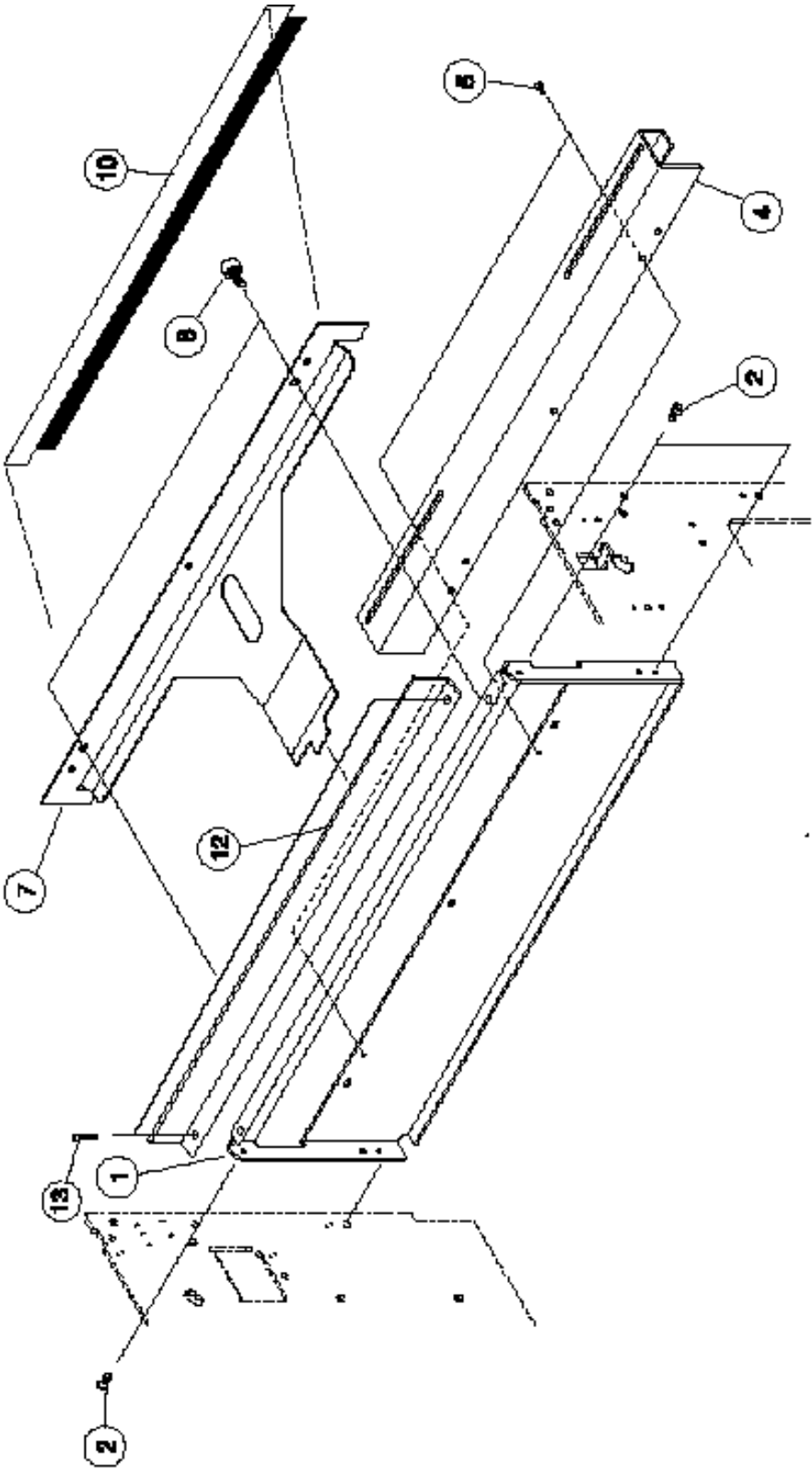
Frame C Assembly



Frame E Assembly

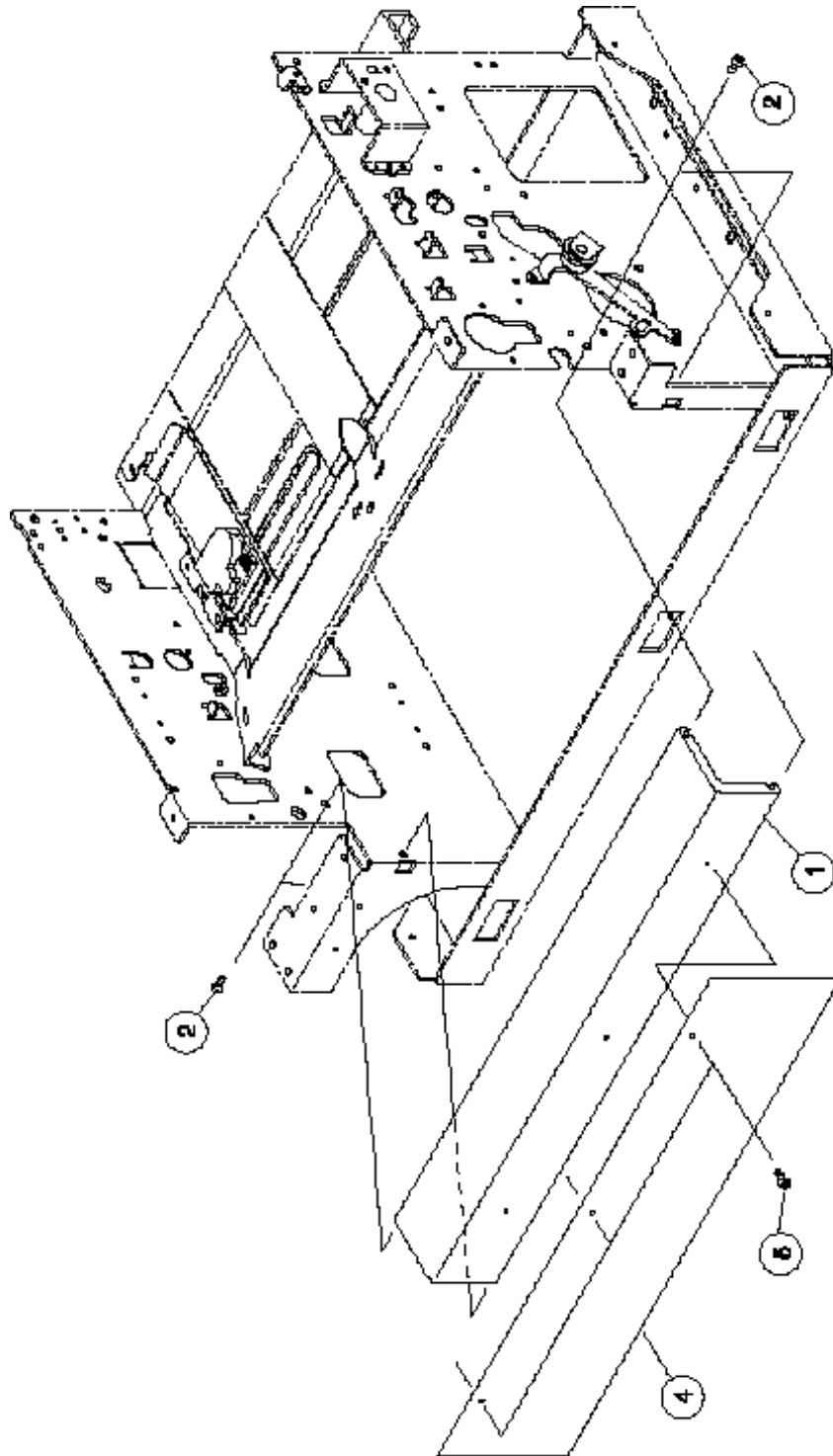
ITEM	CODE	DESCRIPTION	QTY
1	PA3A61910	FRAME(E)	1
2	MD4300822	PAN HEAD SCREW	4
4	PA3A62010	SLIDE GUIDE	1
5	MD4300622	PAN HEAD SCREW	2
7	PA3A62101	GUIDE PLATE(TOP)	1
8	PT9A60200	HAND SCREW	2
10	PT9A60500	ANTI STATIC BRUSH	1
12	PA3A66410	BEAM	1
13	MD4300622	PAN HEAD SCREW	2

Frame E Assembly

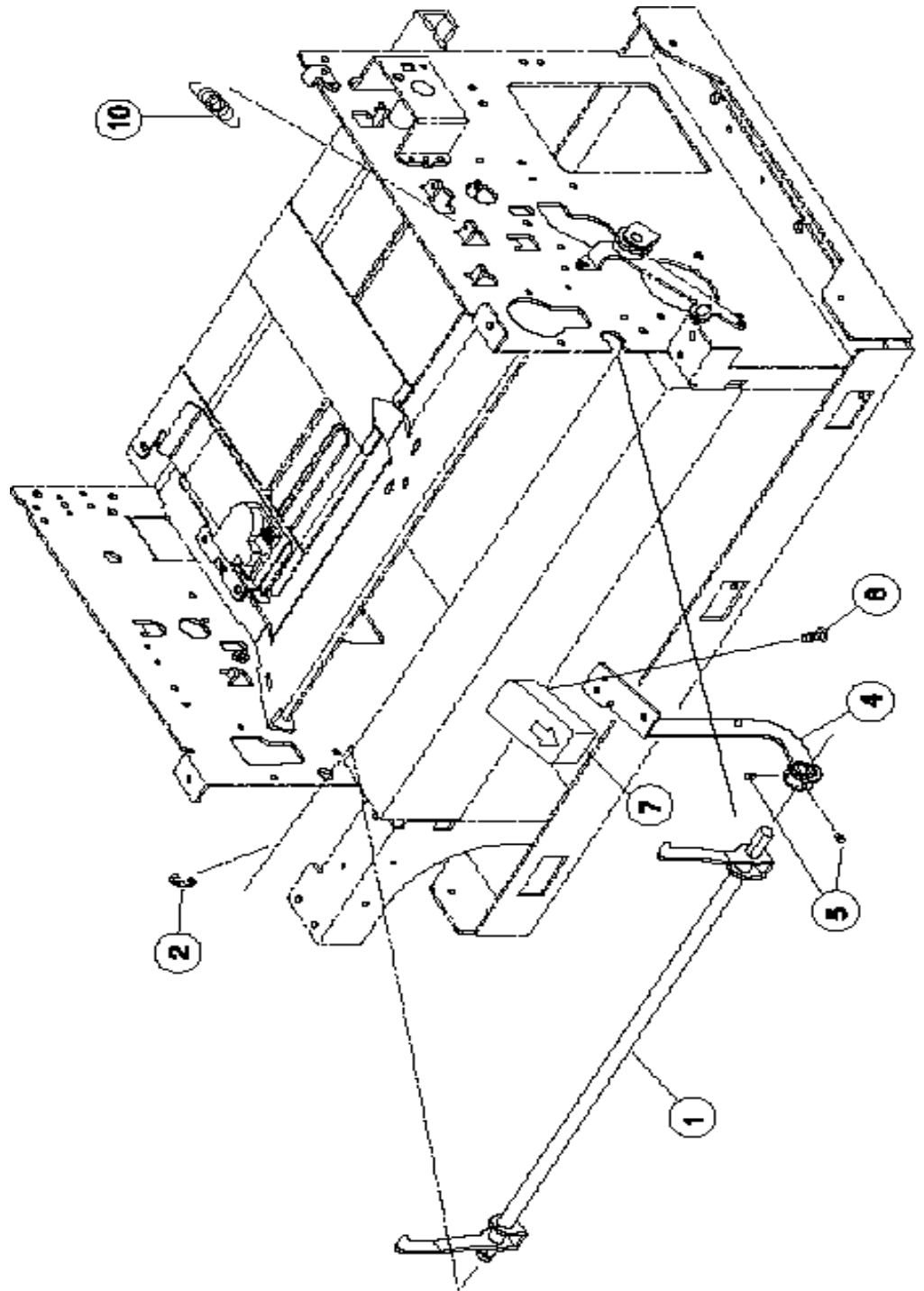


Stay Assembly

NO.	CODE	DESCRIPTION	QTY
1	PD1A60000	STAY	1
2	MD4401022	PAN HEAD SCREW	4
4	PA2A60500	PROTECTOR	1
5	MD4300622	PAN HEAD SCREW	3



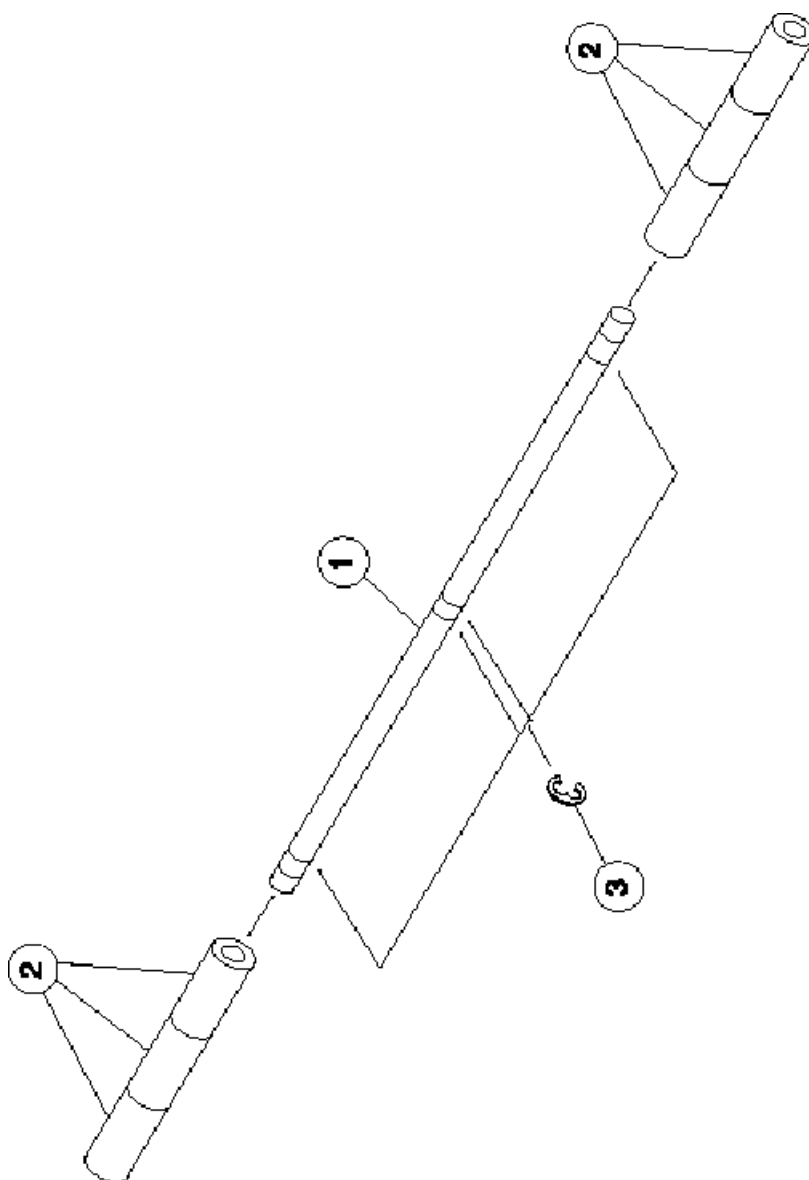
Head Lock Assembly



NO.	CODE	NAME	QTY
1	PR3A60300	HEAD LOCK SHAFT	1
2	ND0060030	E-SNAP RING	1
4	PR3A60401	HEAD LOCK LEVER	1
5	MJ1400524	W-POINT SET	2
7	PE6A60400	COVER(HEAD LOCK LEVER)	1
8	MH0250621	P-TIGHT SCREW	3
10	PC0A60000	HEAD LOCK SPRING	1

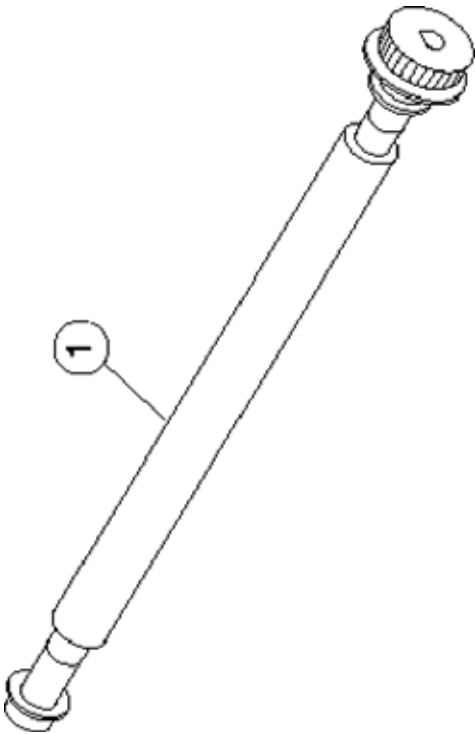
Pressure Roller Assembly

NO.	CODE	DESCRIPTION	QTY
1	PB0A60510	SHAFT(PRESSURE ROLLER)	1
2	PB3A60000	ROLLER	6
3	ND0070030	E-SNAP RING	4



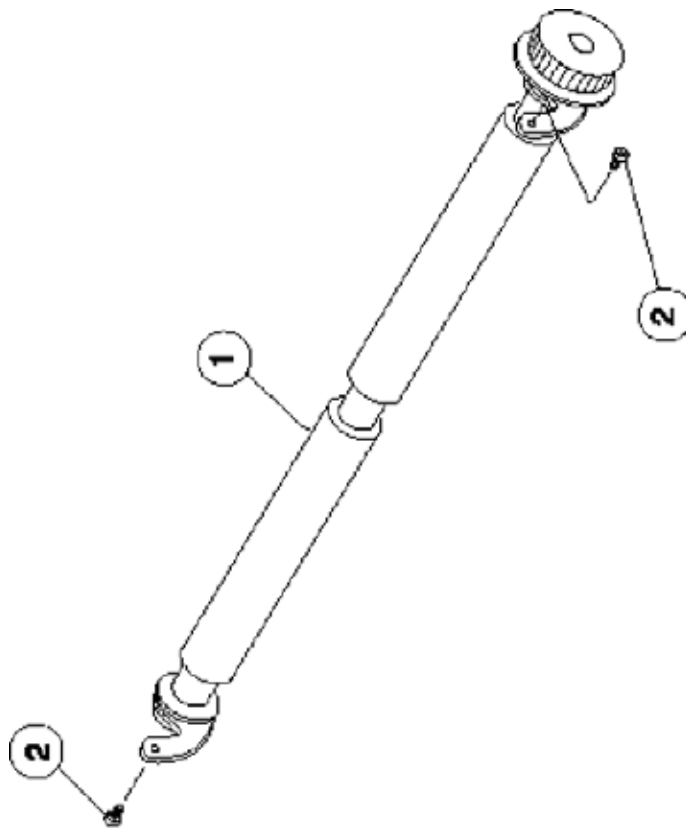
Platen Roller Assembly

NO.	CODE	DESCRIPTION	QTY
1	RC1A60100	PLATEN ROLLER ASSY	1



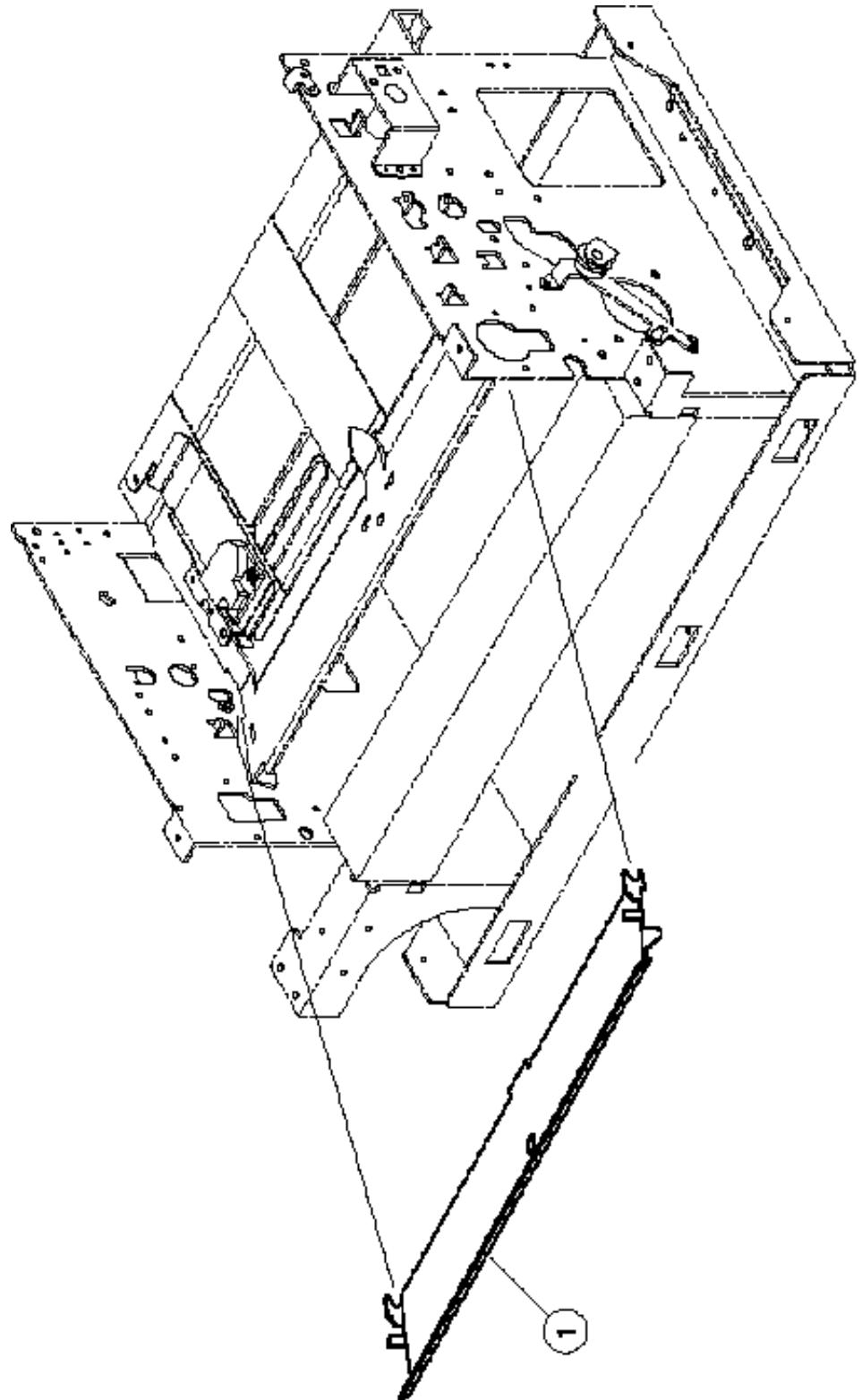
Feed Roller Assembly

NO.	NO.	NAME	QTY
1	RC1A60301	FEED ROLLER ASSY	1
2	MD4300621	PAN HEAD SCREW	2



Guide Plate Top Assembly

NO.	CODE	DESCRIPTION	QTY
1	R01150000	GUIDE PLATE(TOP)	1



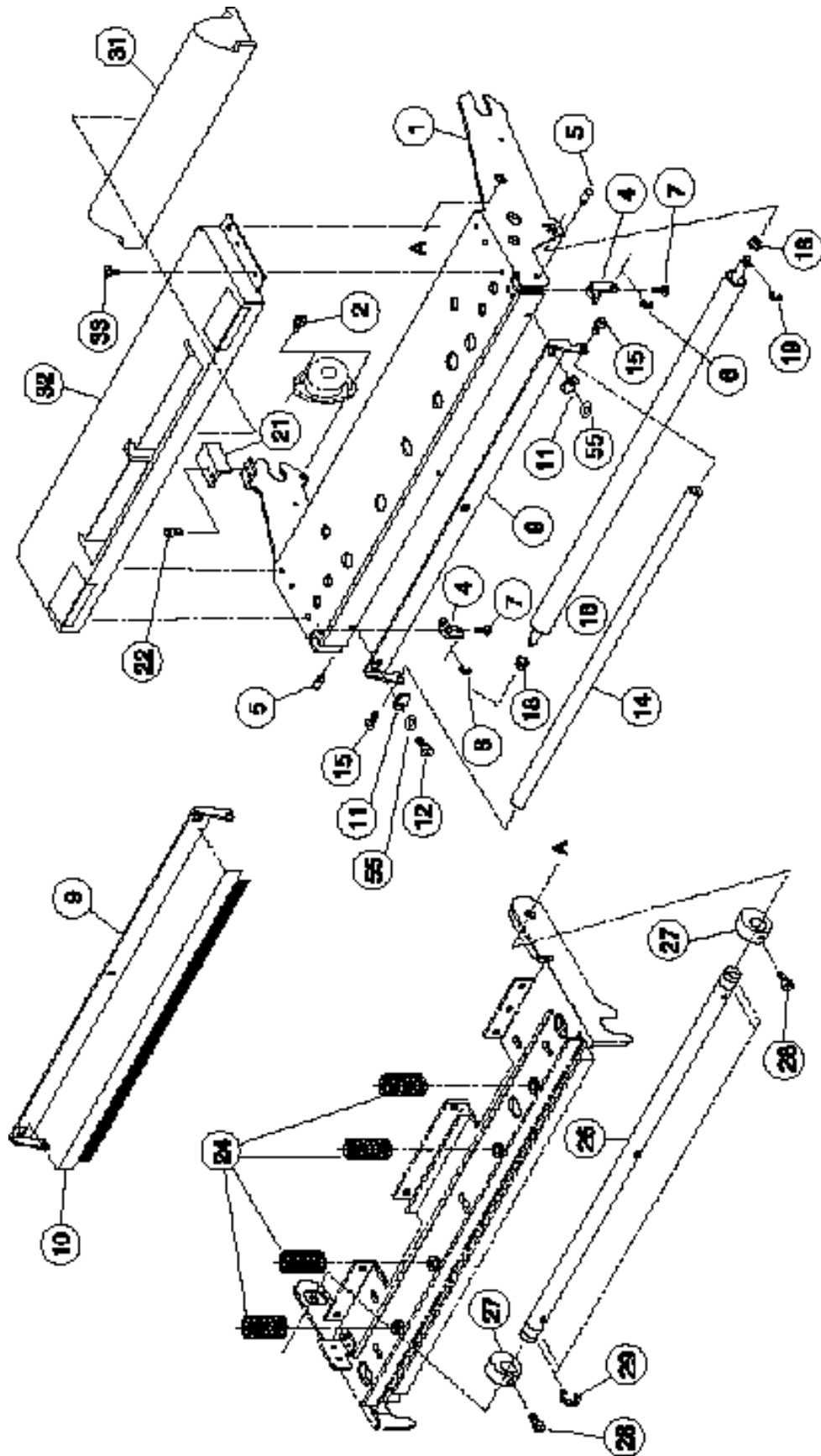
Head Assembly

NO.	NO.	NAME	QTY
1	PA3A62701	TOP FRAME	1
2	MD4300622	PAN HEAD SCREW	2
4	PA3A62800	HEAD CLOSE BRACKET	2
5	PB0A60800	HEAD LOCK STUD	2
6	ND0025030	E-SNAP RING	2
7	MD0300422	PAN HEAD SCREW	2
9	PA3A63000	CONVERT PLATE	1
10	PT9A60300	ANTI STATIC BRUSH	1
11	PL2720100	ADJUST COLLAR	2
12	MD4300822	PAN HEAD SCREW	2
14	PB0A60900	CONVERT SHAFT	1
15	MA0300622	PAN HEAD SCREW	2
16	PR7A60200	SHAFT(RIBBON)	1
18	PT2A60100	BEAR FIGHT	2
19	ND0030030	E-SNAP RING	1
21	P03038000	CABLE GUIDE	1
22	MD4300622	PAN HEAD SCREW	1
24	PC1A60000	HEAD SPRING	4
26	PB0A61001	HEAD ADJUST SHAFT	1
27	PB5A60100	HEAD ADJUST CAM	2
28	MA0301422	PAN HEAD SCREW	2
29	ND0050030	E-SNAP RING	4

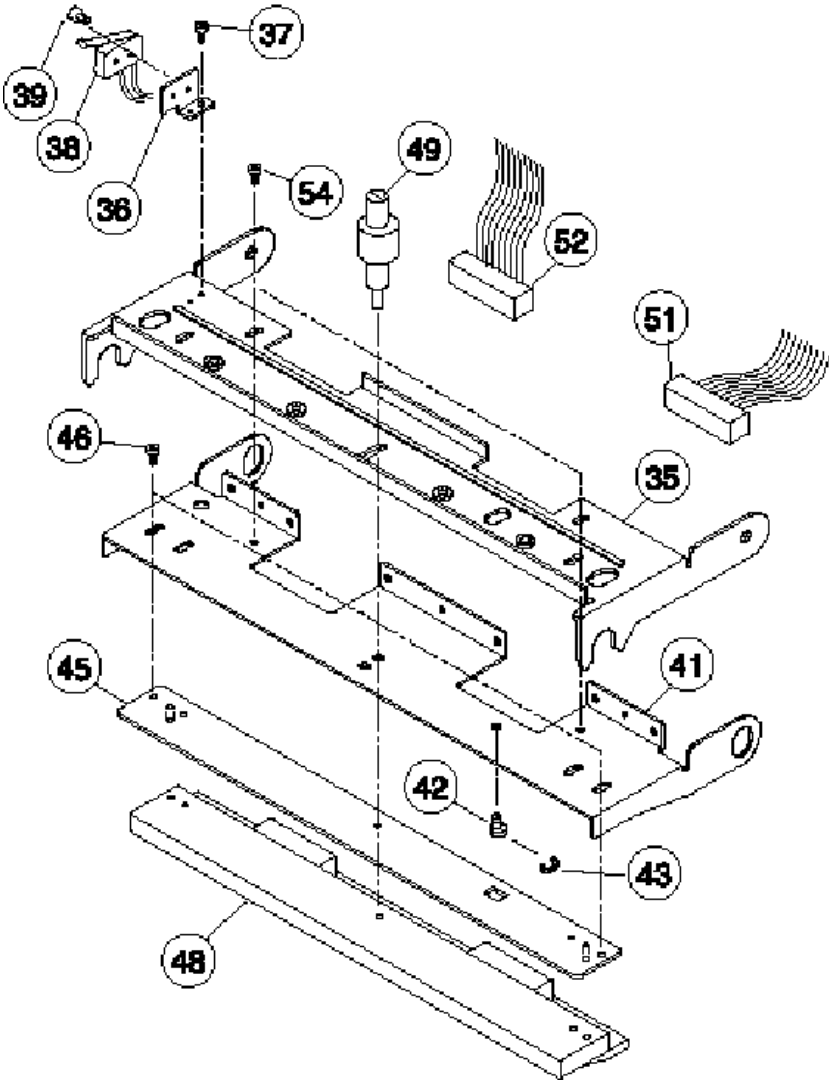
Head Assembly

ITEM	CODE	DESCRIPTION	QTY
31	PE6A60600	HANDLE	1
32	PR4A60701	HANDLE	1
33	MD4300622	PAN HEAD SCREW	4
35	PA3A63101	HEAD FRAME	1
36	PA3A63200	HEAD OPEN SWITCH BRACKET	1
37	MD4300622	PAN HEAD SCREW	1
38	RH1A60501	HEAD OPEN SWITCH ASSY	1
39	MD0231022	PAN HEAD SCREW	1
41	PA3A63300	HEAD ADJUST PLATE	1
42	PB5A60000	POST(ECCENTRIC)	1
43	ND0030030	E-SNAP RING	1
45	PR1A60110	ADJUST PLATE(HEAD)	1
46	MD4301022	PAN HEAD SCREW	2
48	PR7A60101	THERMAL HEAD	1
49	P02551000	POST(HEAD)	1
51	RH1A60401	HDP CORD SET	1
52	RH1A60610	HDS CORD SET	1
54	MD4300822	PAN HEAD SCREW	2
55	NA1030022	WASHER	2

Head Assembly



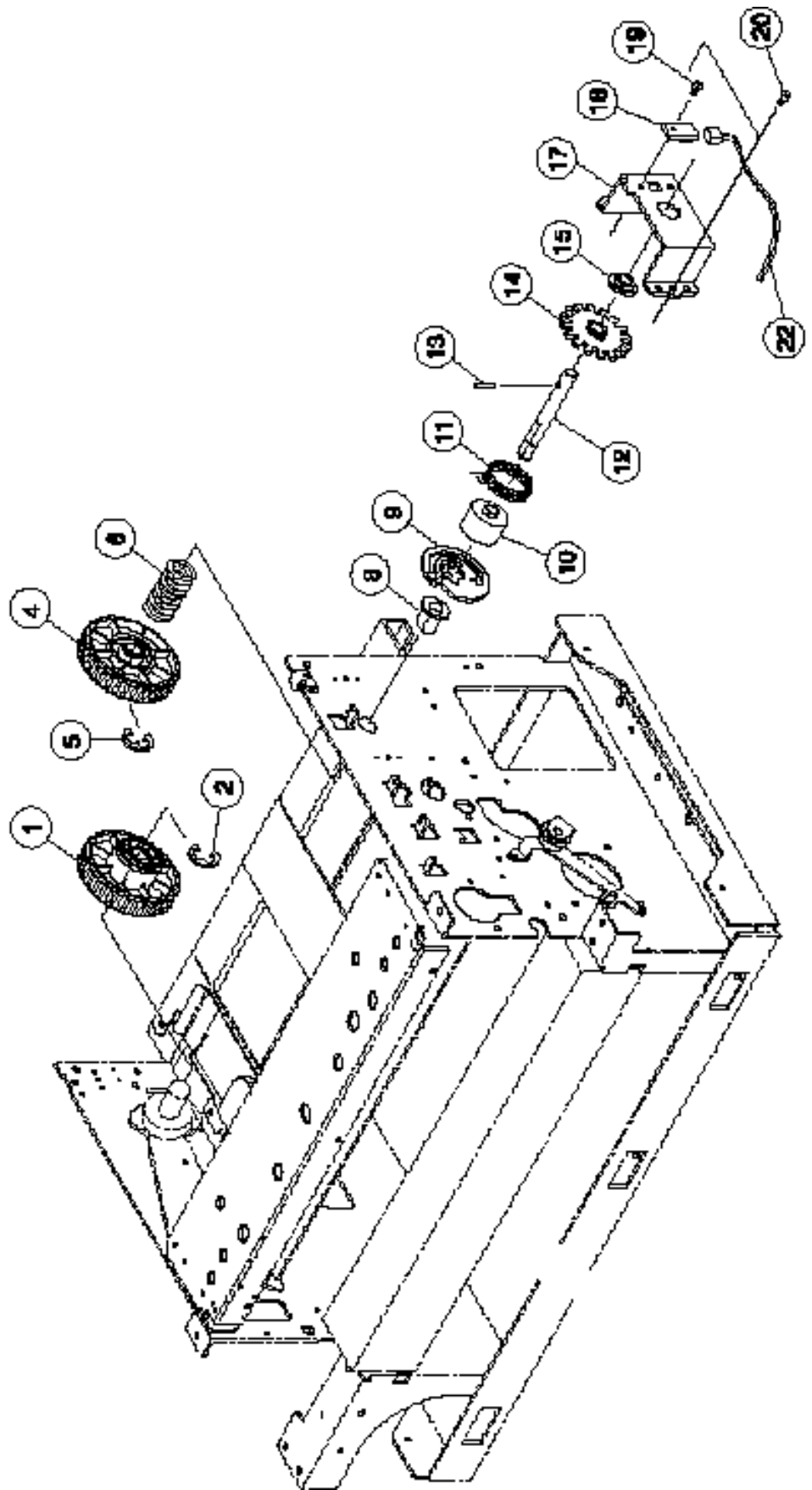
Head Assembly (Cont)



Ribbon Unwind Assembly

NO.	CODE	DESCRIPTION	QTY
1	PE4A60200	RIBBON BOBBIN	1
2	ND0060030	E-SNAP RING	1
4	PE4A60000	RIBBON BOBBIN(TORQUE)	1
5	ND0060030	E-SNAP RING	1
6	PC1A60100	SPRING(BOBBIN)	1
8	PV0A60000	BEAR FIGHT	1
9	PA3A63500	SLACK PLATE(L)	1
10	PT9A60400	TORQUE LIMITTER	1
11	PC2A60201	TORSION SPRING	1
12	PB0A61200	RIBBON SHAFT(TORQUE)	1
13	NG2201430	PARALLEL PIN	1
14	PE2A60000	ENCODER PLATE	1
15	PT2A60300	BEAR FIGHT	1
17	PA3A60200	RIBBON BRACKET	1
18	RJ1A60601	RIBBON SENSOR PCB	1
19	MA2300422	SCREW	1
20	MD0300422	PAN HEAD SCREW	2
22	RH1A61300	RIBBON SENSOR CABLE	1

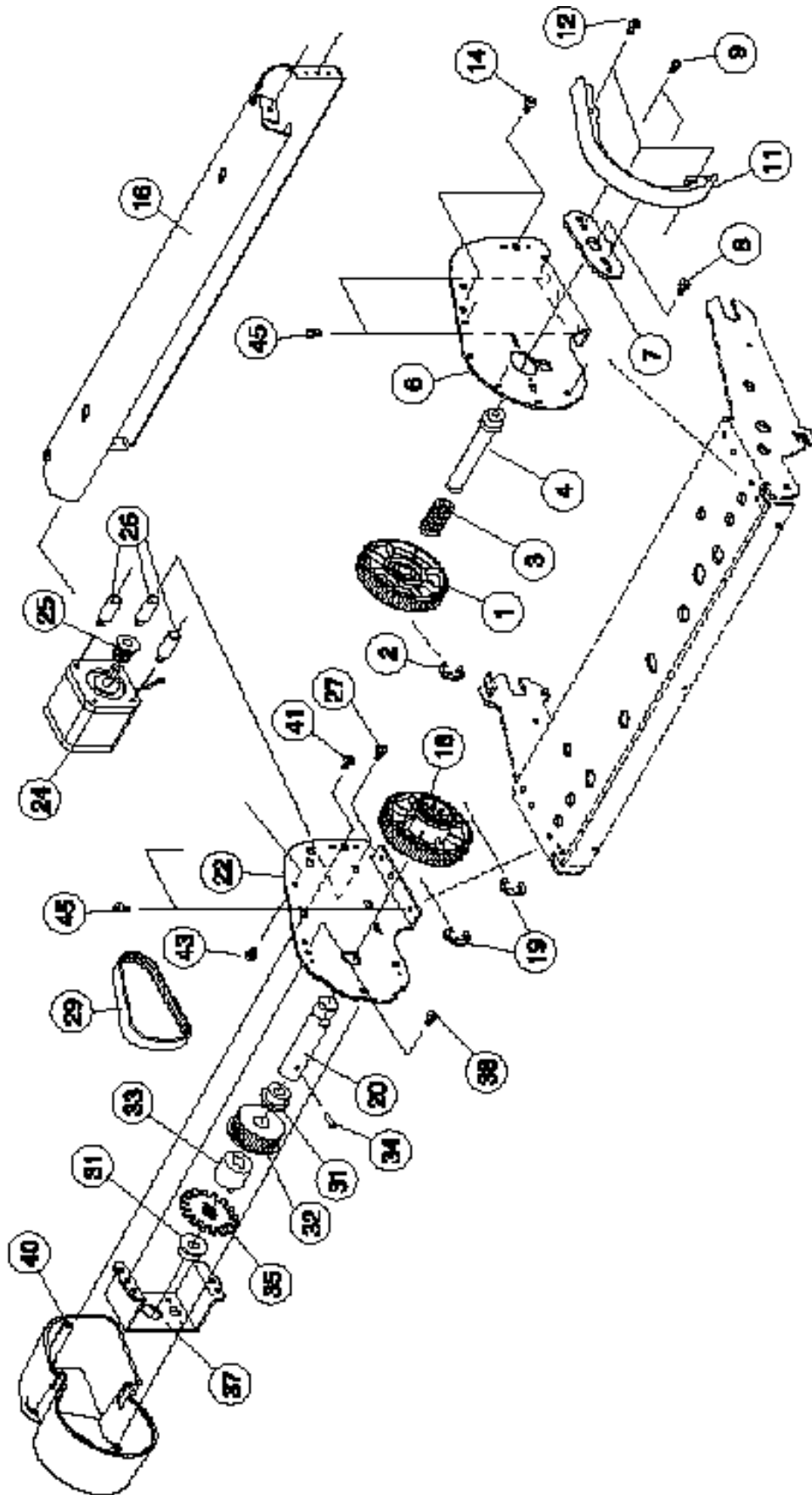
Ribbon Unwind Assembly



Ribbon Rewind Assembly

NO.	CODE	DESCRIPTION	QTY
1	PE4A60200	RIBBON BOBBIN	1
2	ND0060030	E-SNAP RING	1
3	PC1A60100	SPRING(BOBBIN)	1
4	PB0A61300	RIBBON SHAFT	1
6	PA3A63600	RIBBON FRAME(R)	1
7	PA2A60300	PLATE(RIBBON ADJUST)	1
8	MD4400822	PAN HEAD SCREW	1
9	MD4300622	PAN HEAD SCREW	2
11	PE6A60101	EDGE COVER	1
12	PT9500200	NYLON RIVET	3
14	MD4300622	PAN HEAD SCREW	2
16	PA3A63900	COVER	1
18	PE4A60000	RIBBON BOBBIN(TORQUE)	1
19	ND0060030	E-SNAP RING	2
20	PB0A61200	RIBBON SHAFT(TORQUE)	1
22	PA3A63700	RIBBON FRAME(L)	1
24	RH1A61801	STEPPER MOTOR	1
25	PE8A60300	PULLEY	1
26	PB0A61401	STUD (RIBBON MOTOR)	3
27	MD4300622	PAN HEAD SCREW	3
29	PU3204060	TIMING BELT	1
31	PT2A60300	BEAR FIGHT	2
32	PE8A60200	PULLEY	1
33	P00005000	TORQUE LIMITER	1
34	NG2201430	PARALLEL PIN	1
35	PE2A60000	ENCODER PLATE	1
37	PA3A63800	RIBBON BRACKET(L)	1
38	MD4300622	PAN HEAD SCREW	2
40	PE6A60201	MOTOR COVER	1
41	MH9300822	P-TIGHT SCREW	2
43	MD4300622	PAN HEAD SCREW	2
45	MD4300622	PAN HEAD SCREW	4

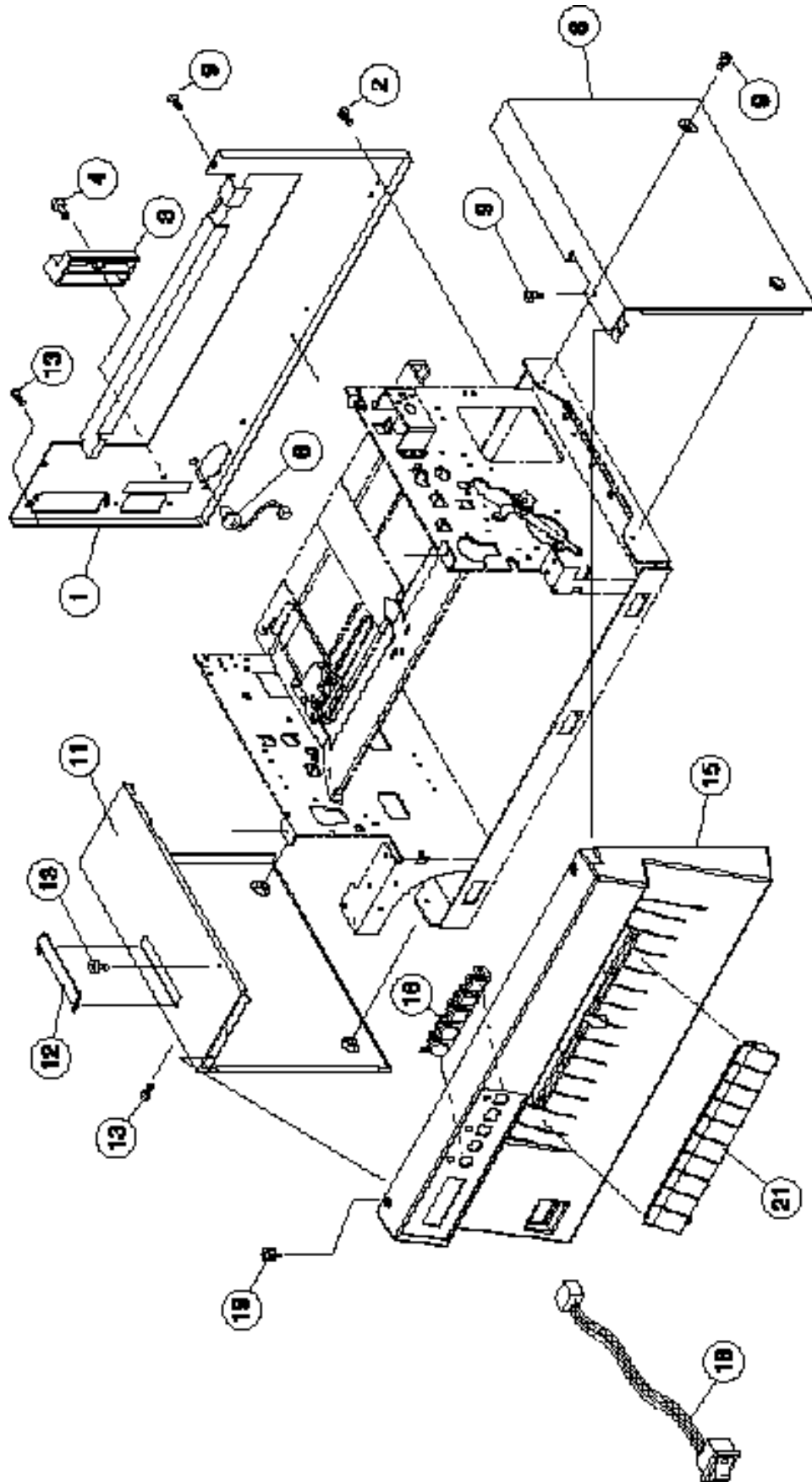
Ribbon Rewind Assembly



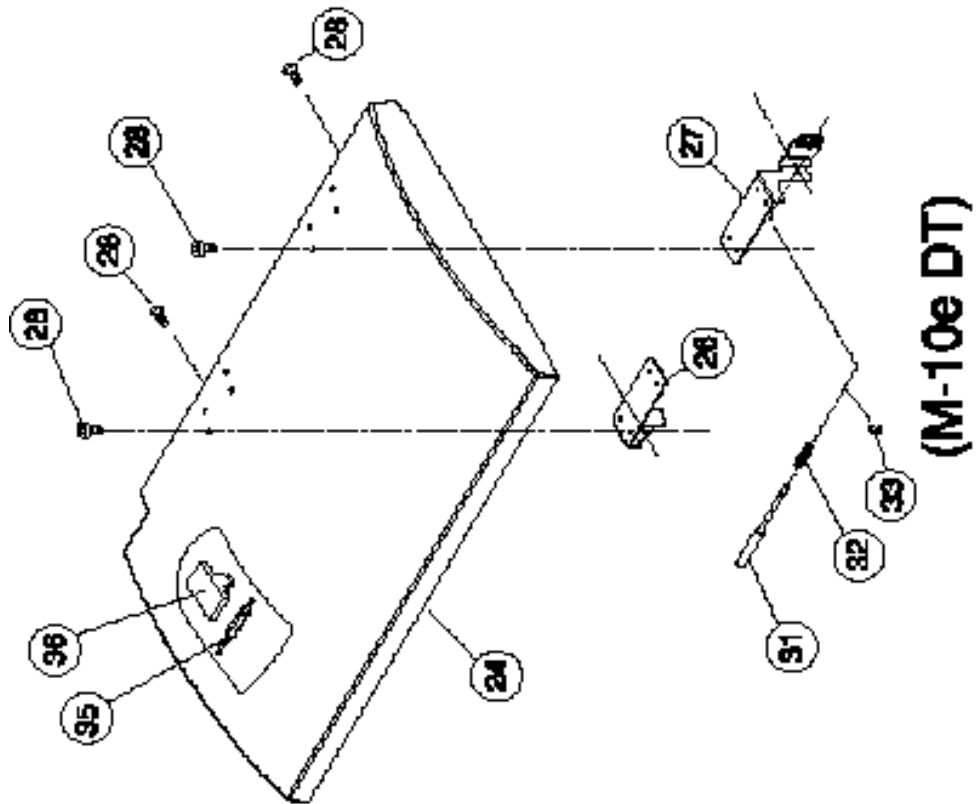
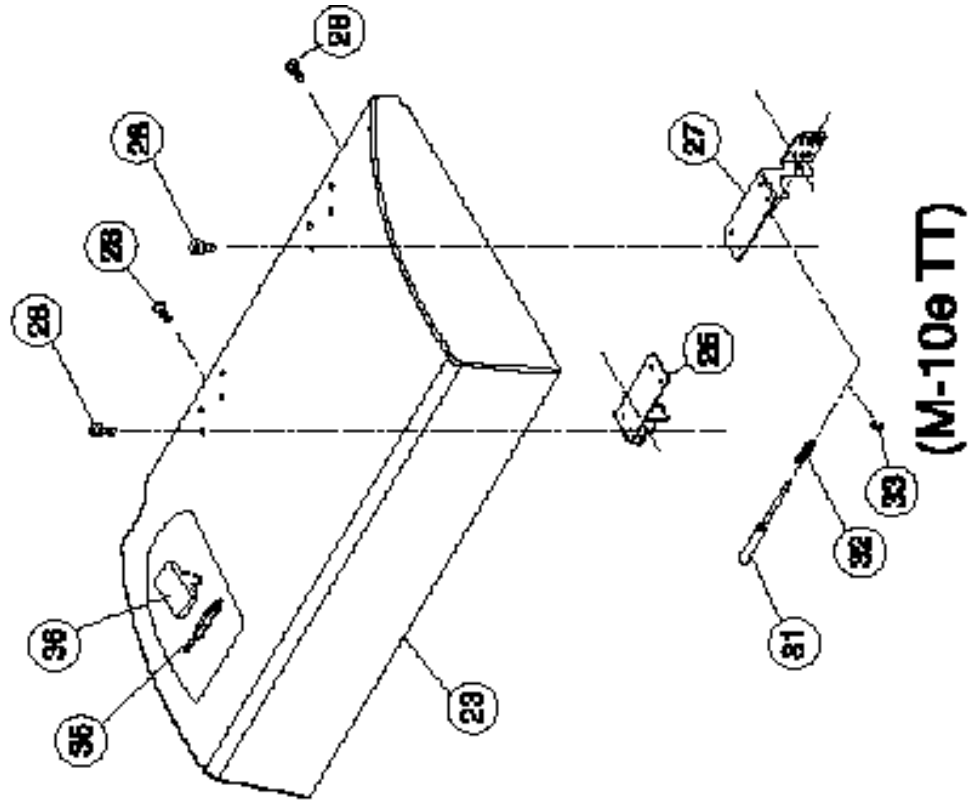
Cover Assembly

NO.	CODE	DESCRIPTION	QTY
1	R01457000	REAR COVER SET	1
2	MA2300622	BIND SCREW	3
3	PE6771001	MEMORY CARD COVER	1
4	PB5A20001	HEAD SCREW	1
6	RH1A61601	LED CABLE ASSY	1
8	PH1A60100	SIDE COVER(R)	1
9	MA2300622	BIND SCREW	4
11	R01442000	SIDE COVER(L)SET	1
12	PE6A60300	COVER(DSW)	1
13	MA2300622	BIND SCREW	4
15	R01114000	FRONT COVER	1
16	PZ0A60300	KEY TOP	1
18	RH1A60100	POWER SWITCH CABLE ASSY	1
19	MA2300622	BIND SCREW	2
21	PH0A60100	CUTTER COVER	1
23	PH1A60300	TOP COVER(T)	1
24	PH1A60400	TOP COVER(D)	1
26	PA3A64800	HINGE PLATE(L)	1
27	PA3A64900	HINGE PLATE(R)	1
28	MA2300622	BIND SCREW	16
31	PB0A61500	RELEASE SHAFT	1
32	PC1A60201	SPRING	1
33	ND0030030	E-SNAP RING	1
35	PE6A21900	MICRO DRIVER	1
36	JG100551A	CK CLAMP	1

Cover Assembly

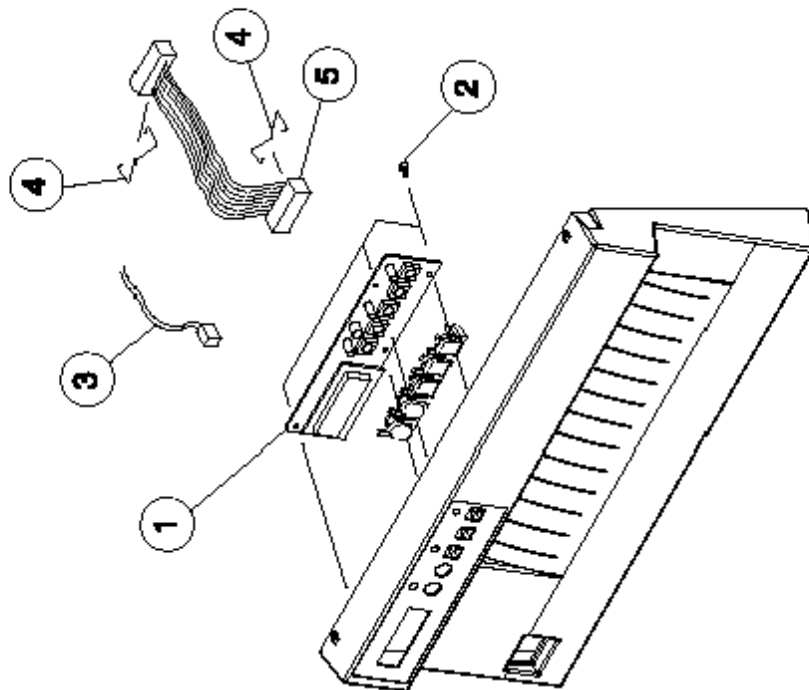
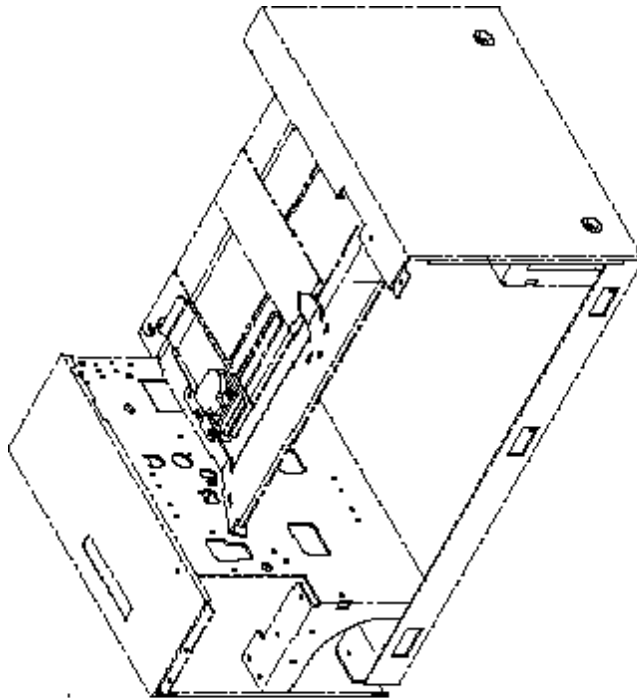


Cover Assembly



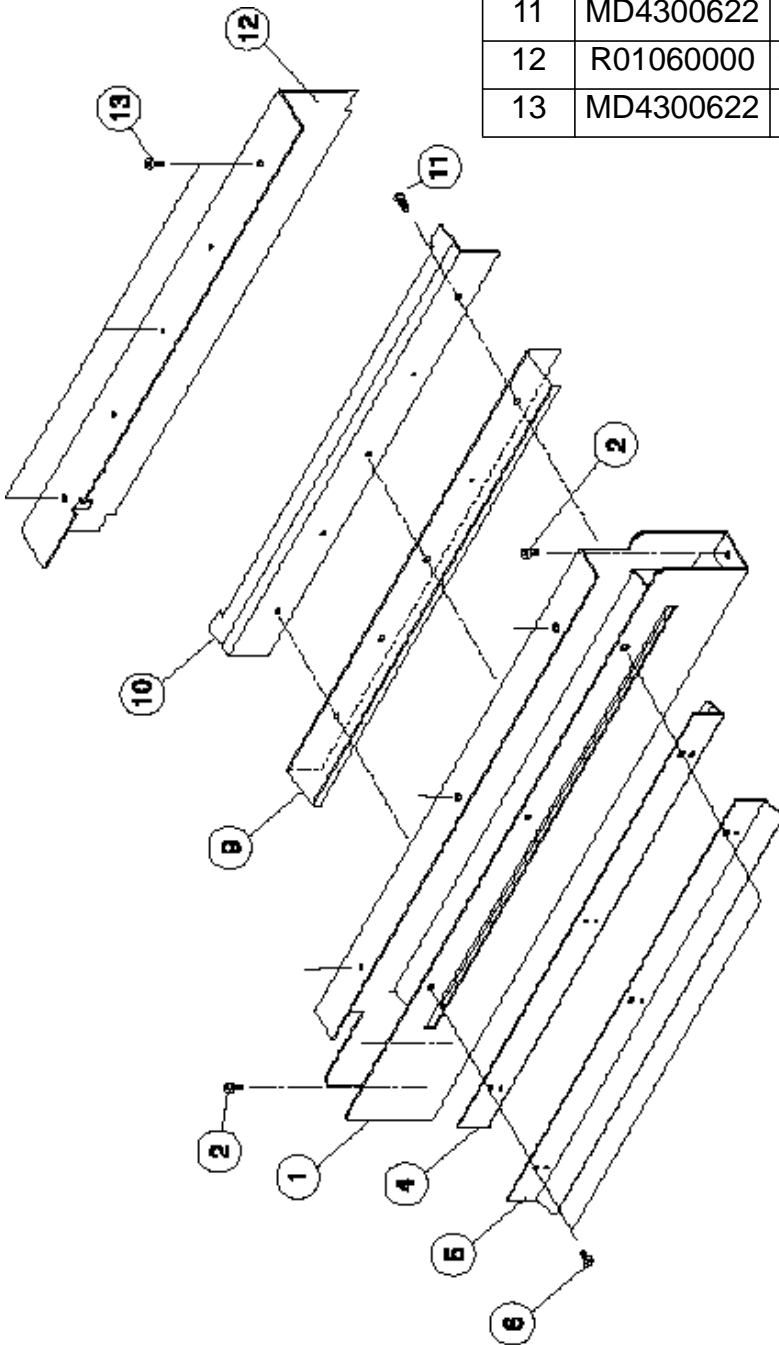
Keyboard Assembly

NO.	CODE	DESCRIPTION	QTY
1	R00109001	OPERATOR PANEL	1
2	MH0300821	P-TIGHT SCREW	4
3	RH1A60800	LCD CABLE ASSEMBLY	1
4	PC9730100	SPRING(LOCK)	2
5	RH1A60700	KB CABLE ASSEMBLY	1



Tear Off Cutter Assembly

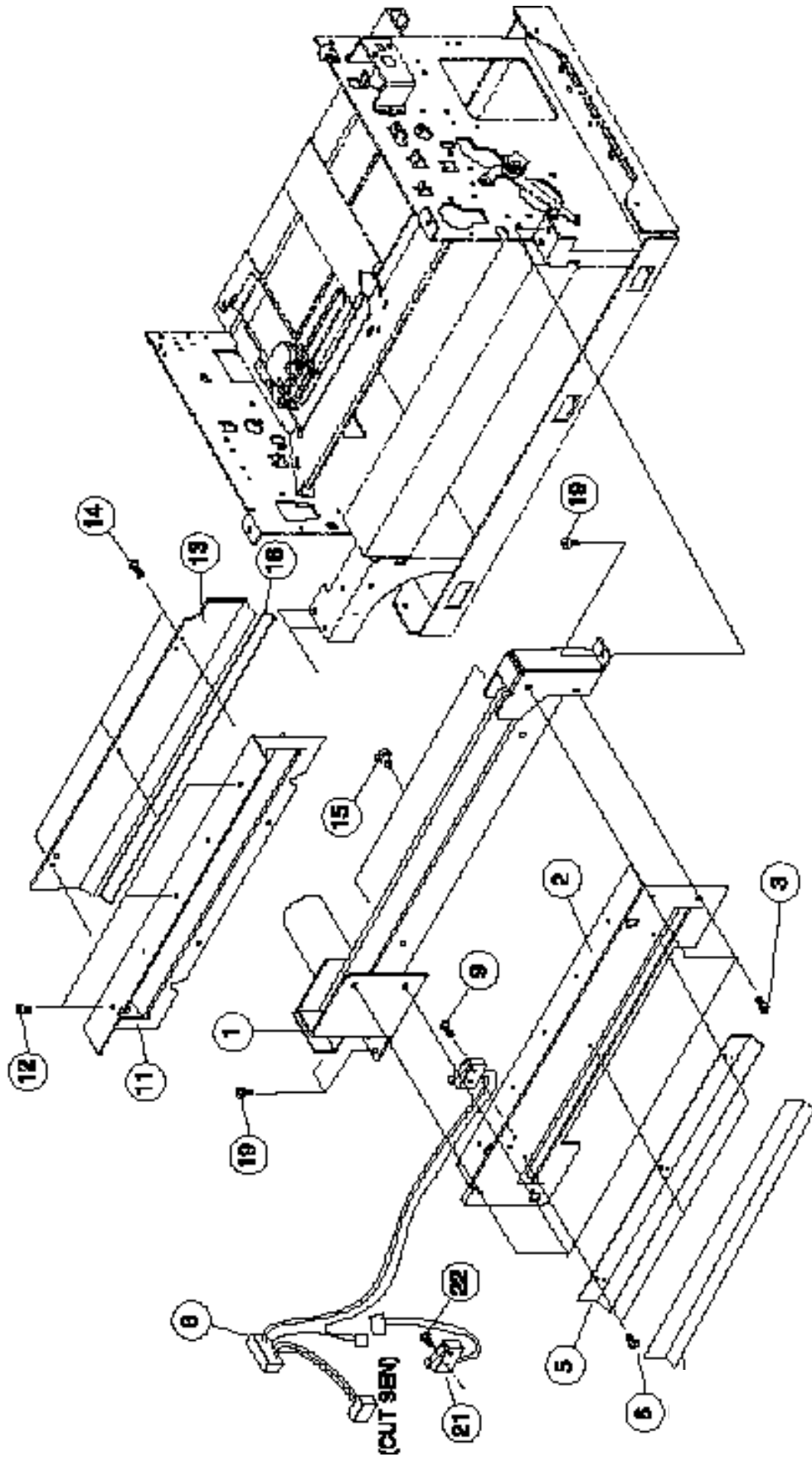
NO.	CODE	DESCRIPTION	QTY
1	PA3A64500	TEAR OFF CUTTER	1
2	MD4300622	PAN HEAD SCREW	3
4	PA3A64100	CUTTER GUIDE(A)	1
5	PA3A66000	CUTTER GUIDE(C)	1
6	MD4300622	PAN HEAD SCREW	3
9	PA3A64600	TEAR OFF CUTTER GUIDE	1
10	PR4A60400	CUTTER GUIDE UNDER(B)	1
11	MD4300622	PAN HEAD SCREW	3
12	R01060000	CUTTER BRACKET(B)	1
13	MD4300622	PAN HEAD SCREW	3



Cutter Assembly (Option)

NO.	CODE	DESCRIPTION	QTY
1	PK1A60010	CUTTER UNIT	1
2	P00751000	CUTTER BRACKET(A)SET	1
3	MD4300622	PAN HEAD SCREW	4
5	P00761000	CUTTER GUIDE(D)	1
6	MD4300622	PAN HEAD SCREW	3
8	RH1A61901	CUTTER SENSOR CABLE ASSY	1
9	MD4231022	PAN HEAD SCREW	1
11	R01059000	CUTTER BRACKET(C)	1
12	MD4300622	PAN HEAD SCREW	3
13	P00748000	CUTTER GUIDE TOP(D)	1
14	MD4300622	PAN HEAD SCREW	3
15	PB9A60200	GUIDE SCREW	2
16	P00749000	CT GUIDE SHEET B	1
19	MD4401022	PAN HEAD SCREW	3
21	RH1A62001	CUTTER SWITCH CABLE ASSY	1
22	MH0231022	P TIGHT SCREW	1

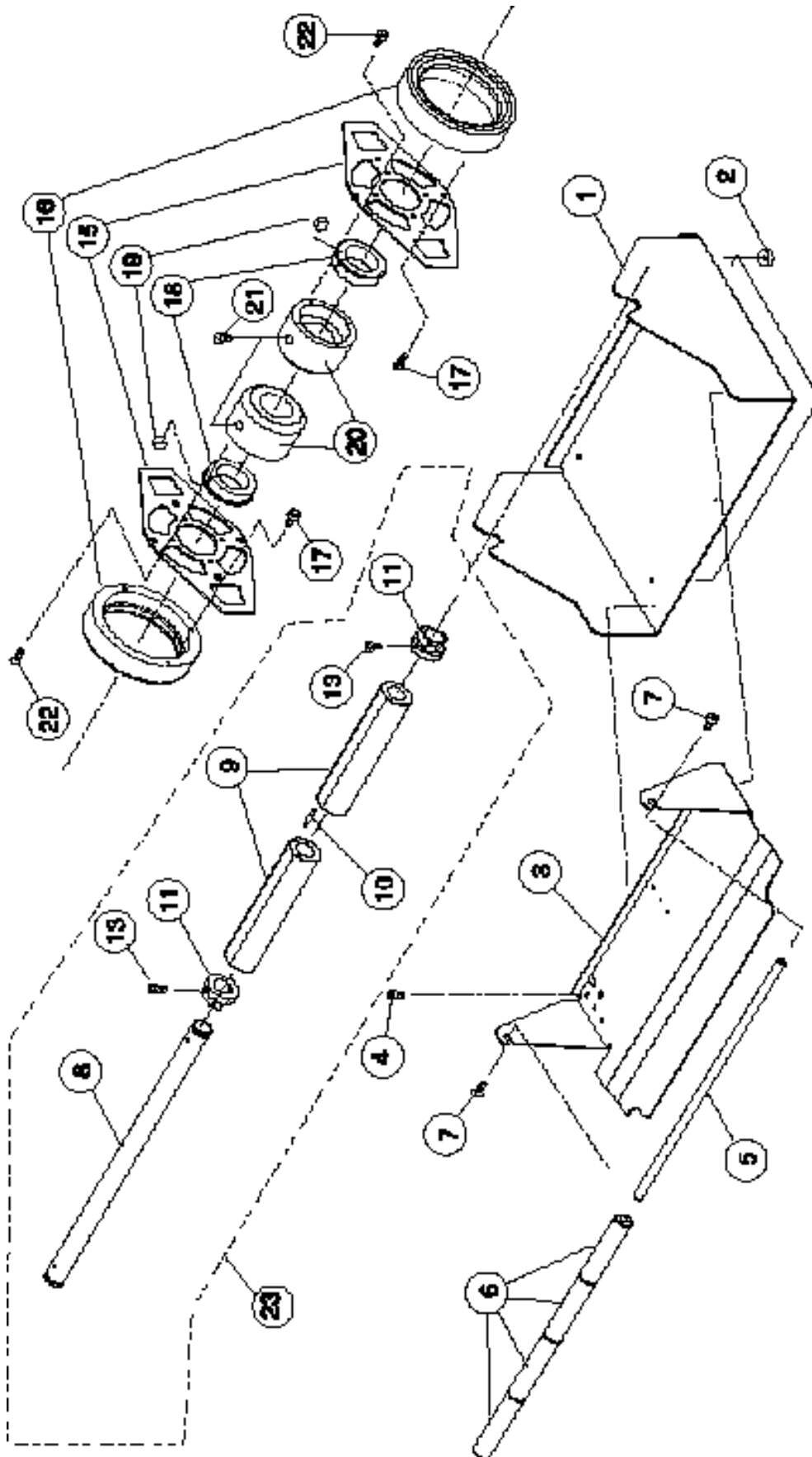
Cutter Assembly (Option)



Unwind Assembly (Option)

NO.	CODE	DESCRIPTION	QTY
1	PA5A60200	FRAME	1
2	PT6680100	RUBBER FOOT	4
3	PA3A65502	ROLLER BRACKET	1
4	MD4300622	PAN HEAD SCREW	3
5	PB0A61800	SHAFT(ROLLER)	1
6	PB3A60400	ROLLER	4
7	MD4401022	PAN HEAD SCREW	2
8	PB0A61901	SHAFT	1
9	PB3A60510	ROLL CORE(1.5)	2
10	NG2401030	PARALLEL PIN	1
11	PB2A60101	COLLAR	2
13	NG3403530	SPRING PIN	2
15	PA2A60401	ROLL GUIDE	2
16	PB1A60000	HANDLE	2
17	MA1400822	SCREW	8
18	PE4080200	GUIDE STOPPER	2
19	PA1210400	SPRING	2
20	PB4A60001	ROLL CORE(3)	2
21	PV0600100	HAND SCREW	2
22	MD4401022	PAN SCREW	8
23	PR1A60610	SHAFT	1

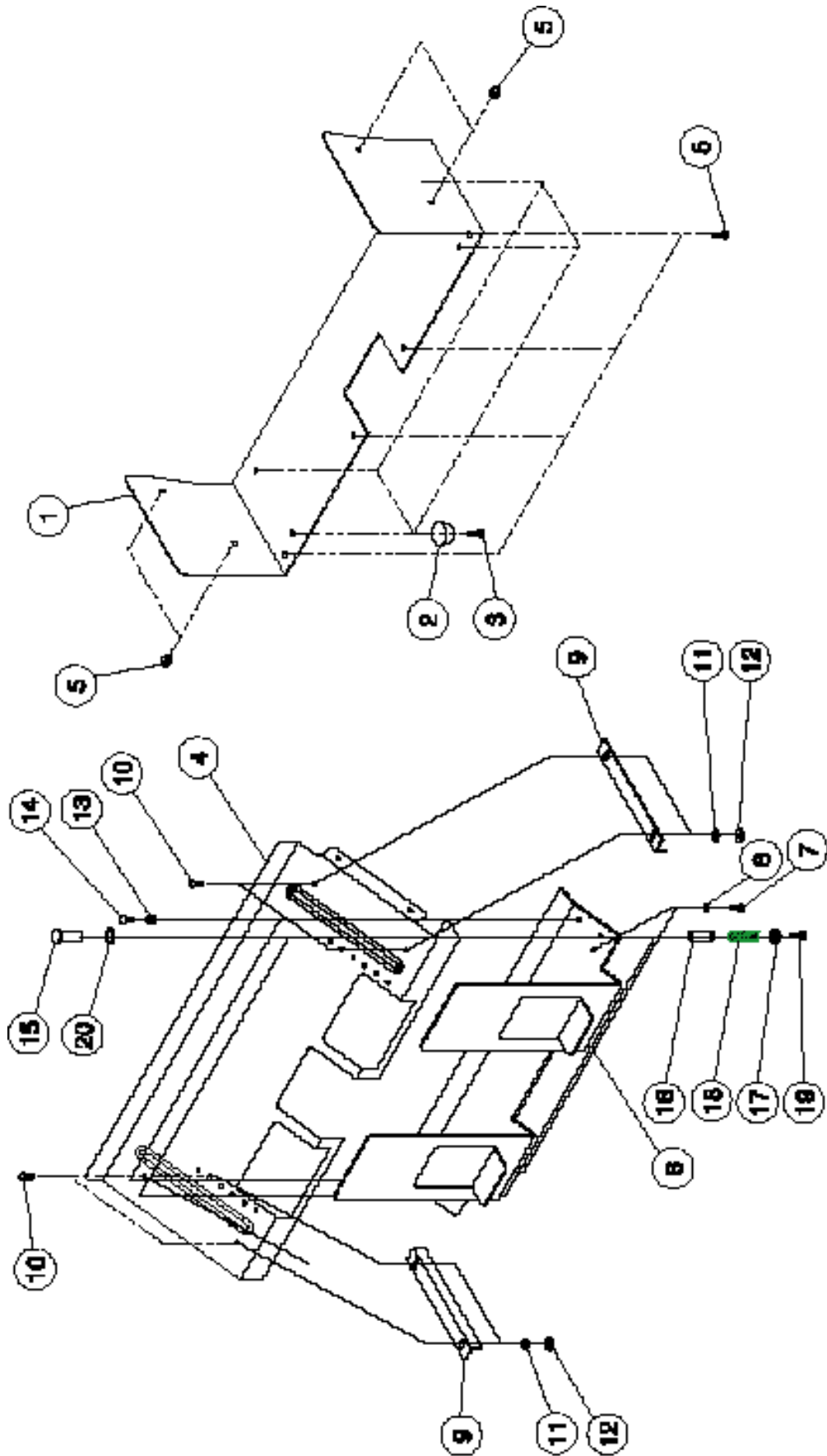
Unwind Assembly (Option)



Stacker Assembly (Option)

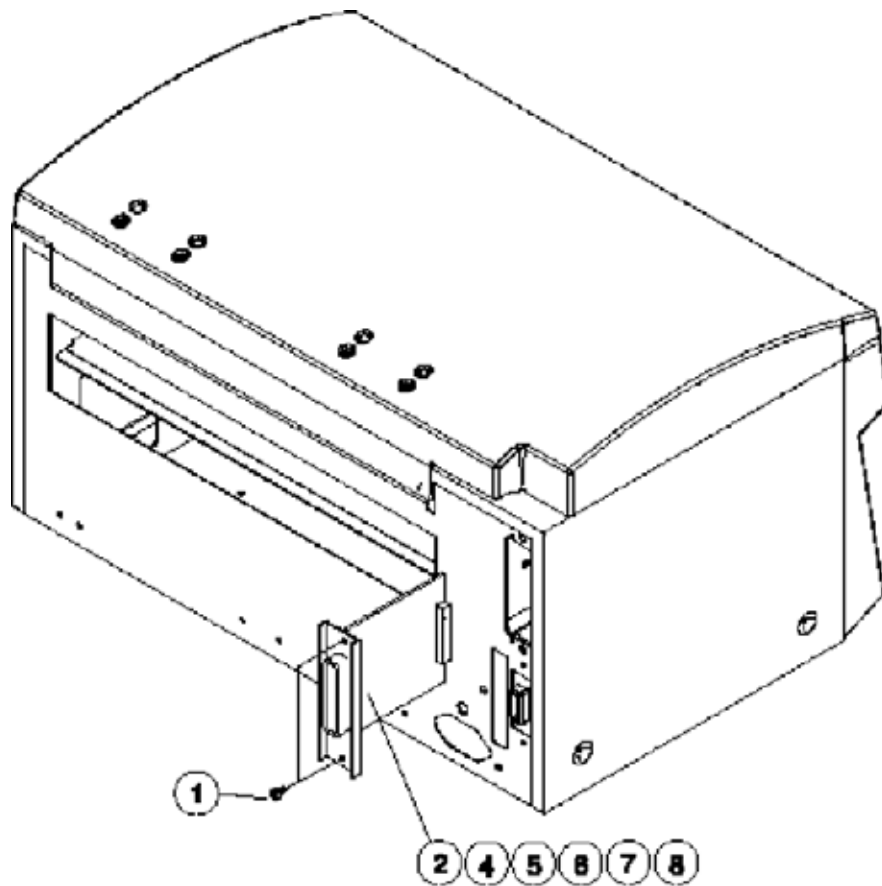
NO.	CODE.	DESCRIPTION	QTY
1	P00190000	BASE FRAME	1
2	P00222000	RUBBER FOOT	4
3	MA0300622	PAN HEAD SCREW	4
4	P00185000	CENTER FRAME	1
5	MA2300622	BIND SCREW	8
6	P00283000	ST.GUIDE SET	1
7	MA0300622	PAN HEAD SCREW	2
8	NB0030022	WASHER	2
9	P00191000	GUIDE BRACKET	2
10	MA1300622	SCREW	4
11	NA1030022	WASHER	4
12	MT1300522	HEX NUT	4
13	P00184000	COLLAR	2
14	MA7300522	SCREW	2
15	P00186000	SLIDE(POST)	2
16	P00187000	COLLAR	2
17	NA0040022	WASHER	2
18	PC1A10200	SPRING(BELT)	2
19	MD4301022	PAN HEAD SCREW	2
20	P00906000	POLY SLIDER	2

Stacker Assembly (Option)



Interface Board Assembly

NO.	CODE	DESCRIPTION	QTY
1	MD3300622	PAN HEAD SCREW	2
2	WCL404070	PARALLEL INTERFACE	1
4	WCL404060	INTERFACE	1
5	WCL404051	HIGH SPEED SERIAL INTERFACE	1
6	11S000158	10/100 ETHERNET INTERFACE	1
7	11S000136	(CX/TX INTERFACE)	1
8	11S000162	WIRELESS RF INTERFACE	1



This page is intentionally left blank.