



Industrial Bar Code Printers

M-5900RV Printer

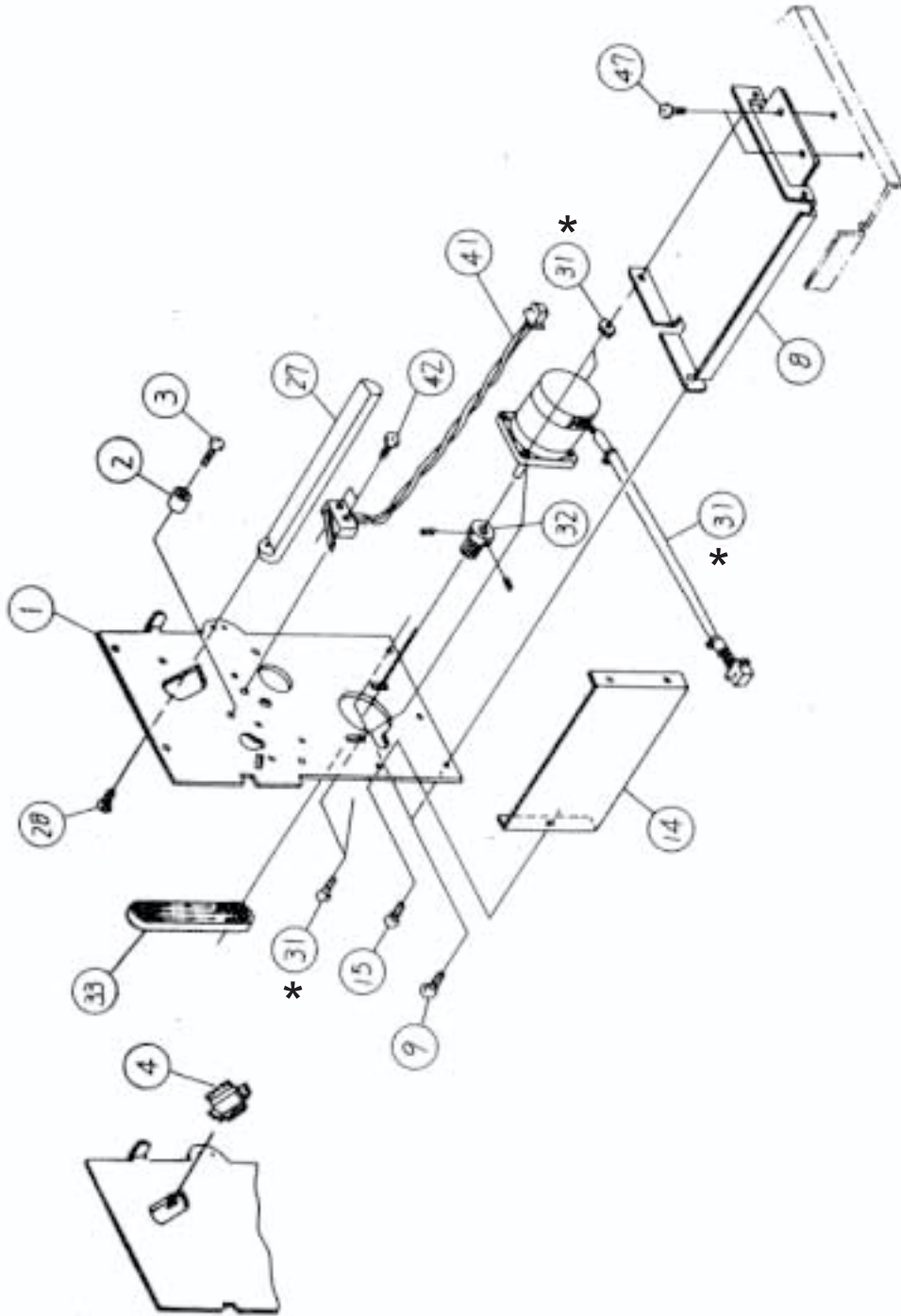


Parts List

Table of Contents

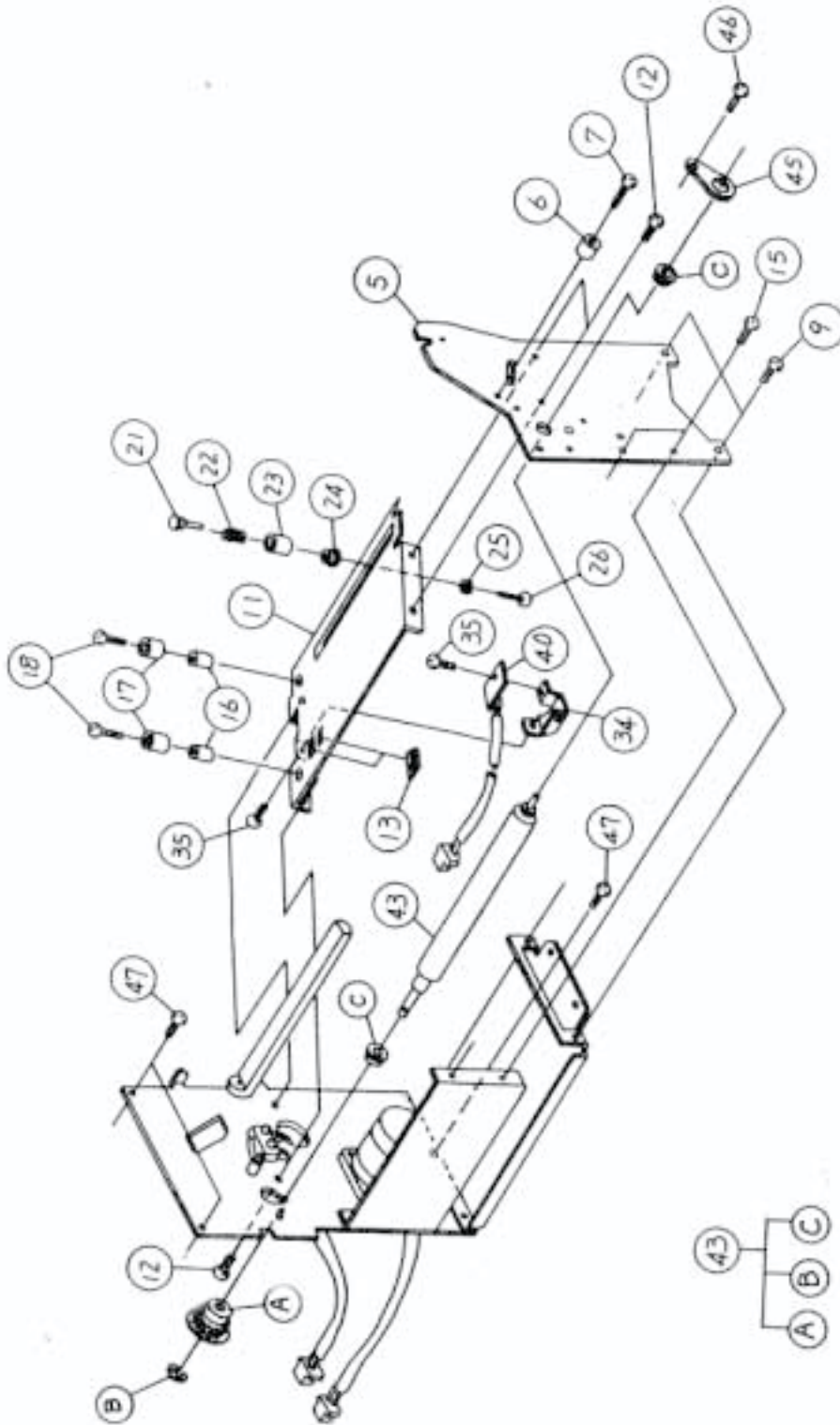
<i>M-5900RV Parts List</i>	<i>Page</i>
<i>Frame Assembly.....</i>	<i>3</i>
<i>Base Cover Assembly.....</i>	<i>6</i>
<i>Thermal Head Assembly.....</i>	<i>9</i>
<i>Cover Assembly.....</i>	<i>12</i>
<i>Main PCB Assembly.....</i>	<i>14</i>
<i>Centronics PCB Assembly.....</i>	<i>15</i>
<i>Cutter Unit Option.....</i>	<i>16</i>
<i>Dispenser Unit Options.....</i>	<i>17</i>

Frame Assembly



* THESE ITEMS INCLUDED IN THIS PART NUMBER

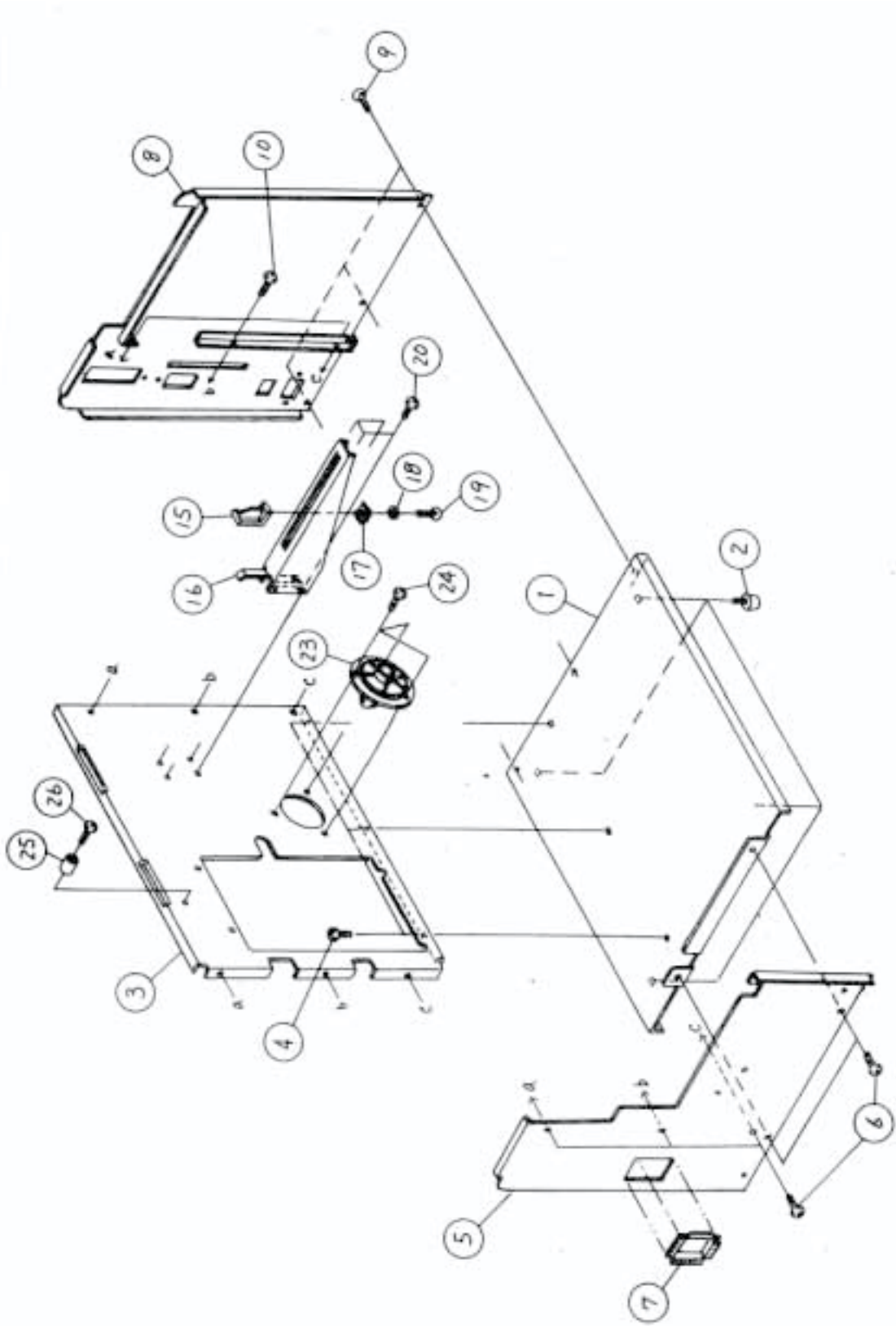
Frame Assembly



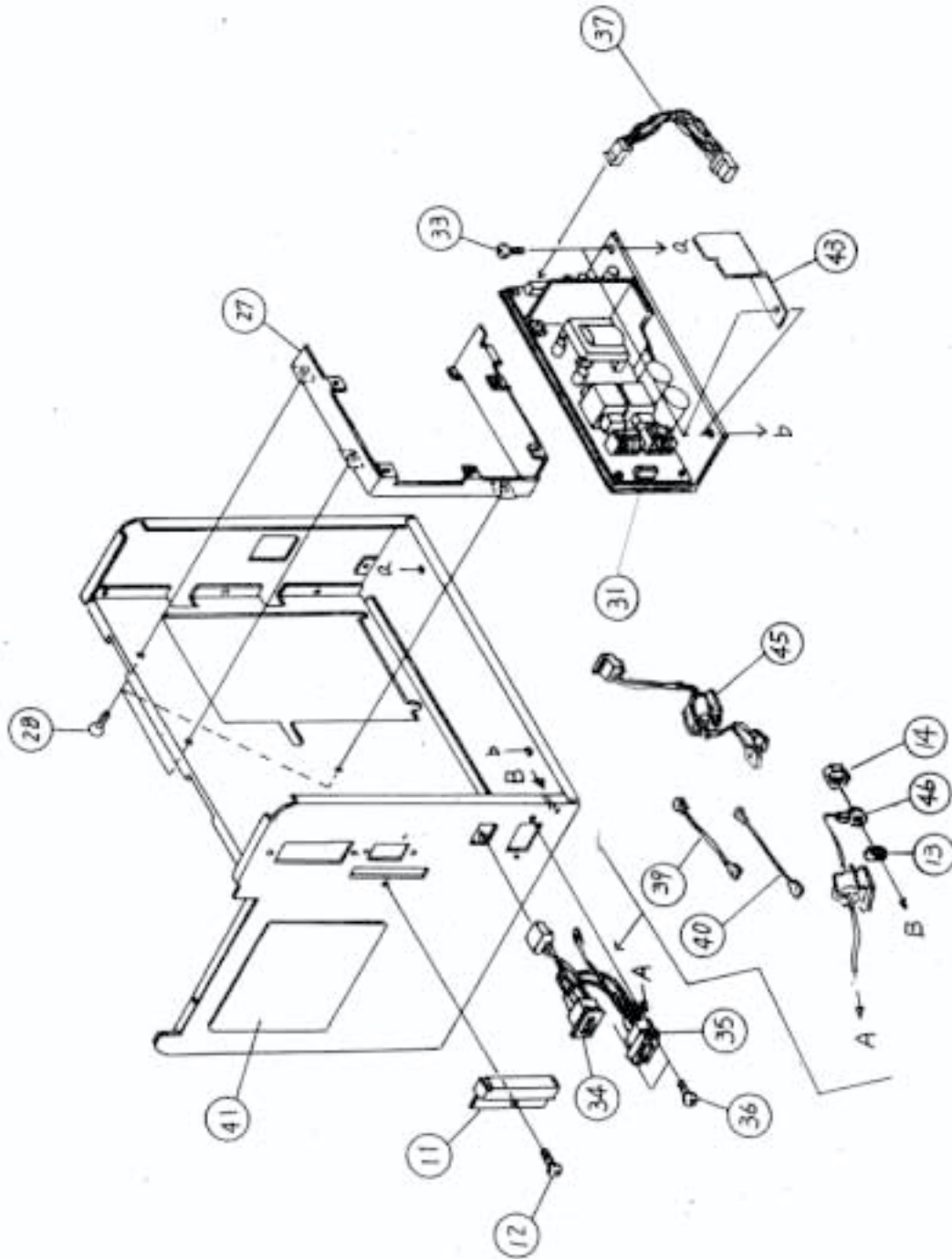
Frame Assembly

NO.	CODE	DESCRIPTION	QTY
1	PA2520600	Side frame	1
2	PB2520200	Collar (A)	1
3	MA0401021	Pan head screw	1
4	PV9720200	Bush	1
5	PA2520700	Side frame (B)	1
6	PB2520200	Collar (A)	1
7	MA0401021	Pan head screw	1
8	PA3522500	Frame bracket	1
9	MH4300821	S-tight screw	4
11	PA3522600	Paper guide	1
12	MH4300821	S-tight screw	4
13	PE1570801	Sensor cover	2
14	PA3523700	Bracket	1
15	MH4300621	S-tight screw	3
16	PE3520400	Roller (A)	2
17	PE3520500	Roller (B)	2
18	MA0301022	Pan head screw	2
21	PE2520300	Collar (A)	1
22	PC1520200	Roller spring	1
23	PE3520101	Roller (A)	1
24	PM6401200	Metal (B)	1
25	PT9520400	Spacer	1
26	MH0300821	P-tight screw	1
27	PE1520300	Label guide shaft	1
28	MH0300821	P-tight screw	1
31	PR7520100	Stepping motor	1
32	PR7520200	Motor pulley	1
33	PT8122064	Timing belt	1
34	PA3522700	Sensor bracket (bottom)	1
35	MD4300621	Pan head screw	2
40	RJ3520000	Sensor PCB	1
41	RH1523300	Head open switch	1
42	MD3201221	Pan head screw	2
43	PR1520300	Platen roller	1
45	PA1680200	Supporter clamp	1
46	MD4300621	Pan head screw	1
47	MD4300821	Pan head screw	5

Base Cover Assembly



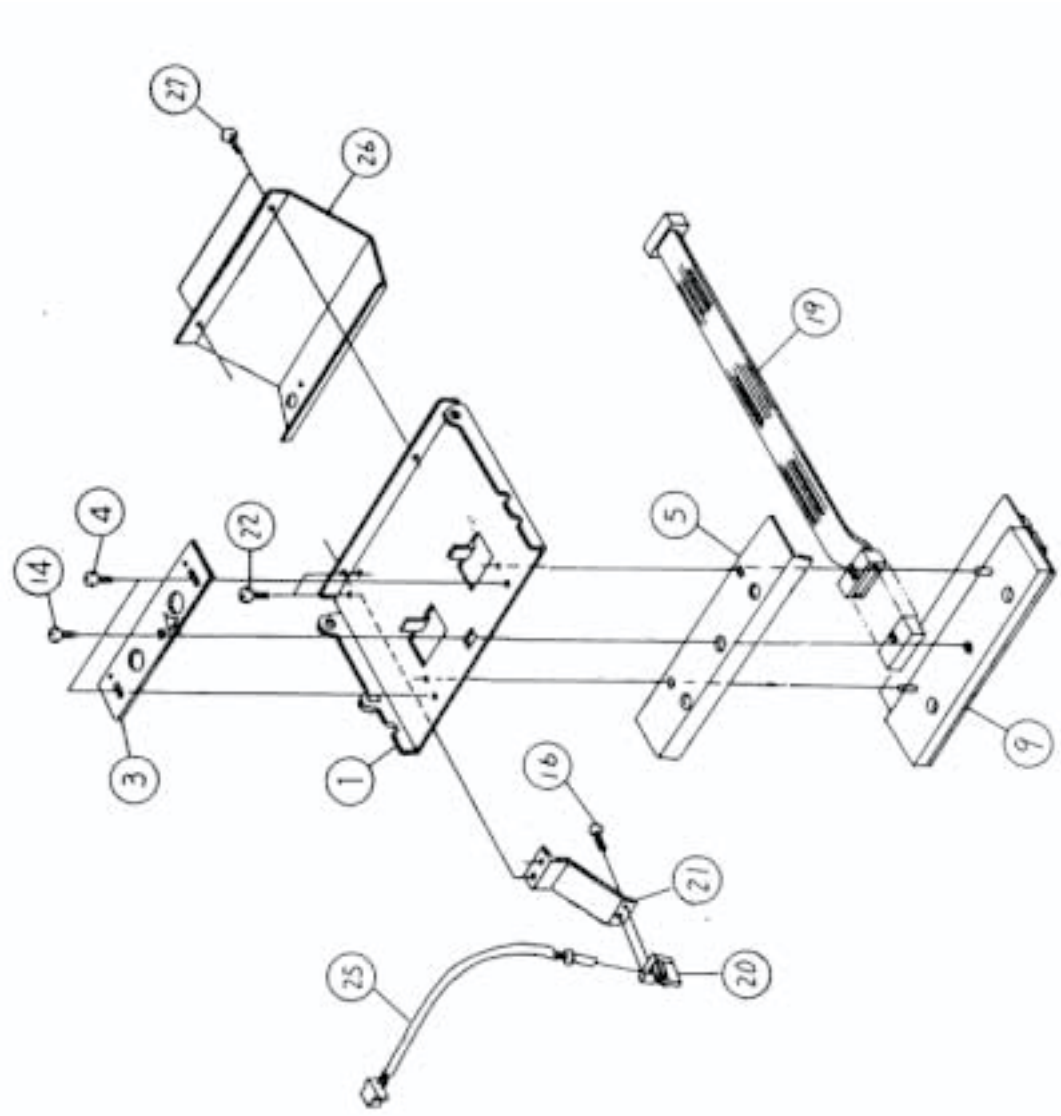
Base Cover Assembly



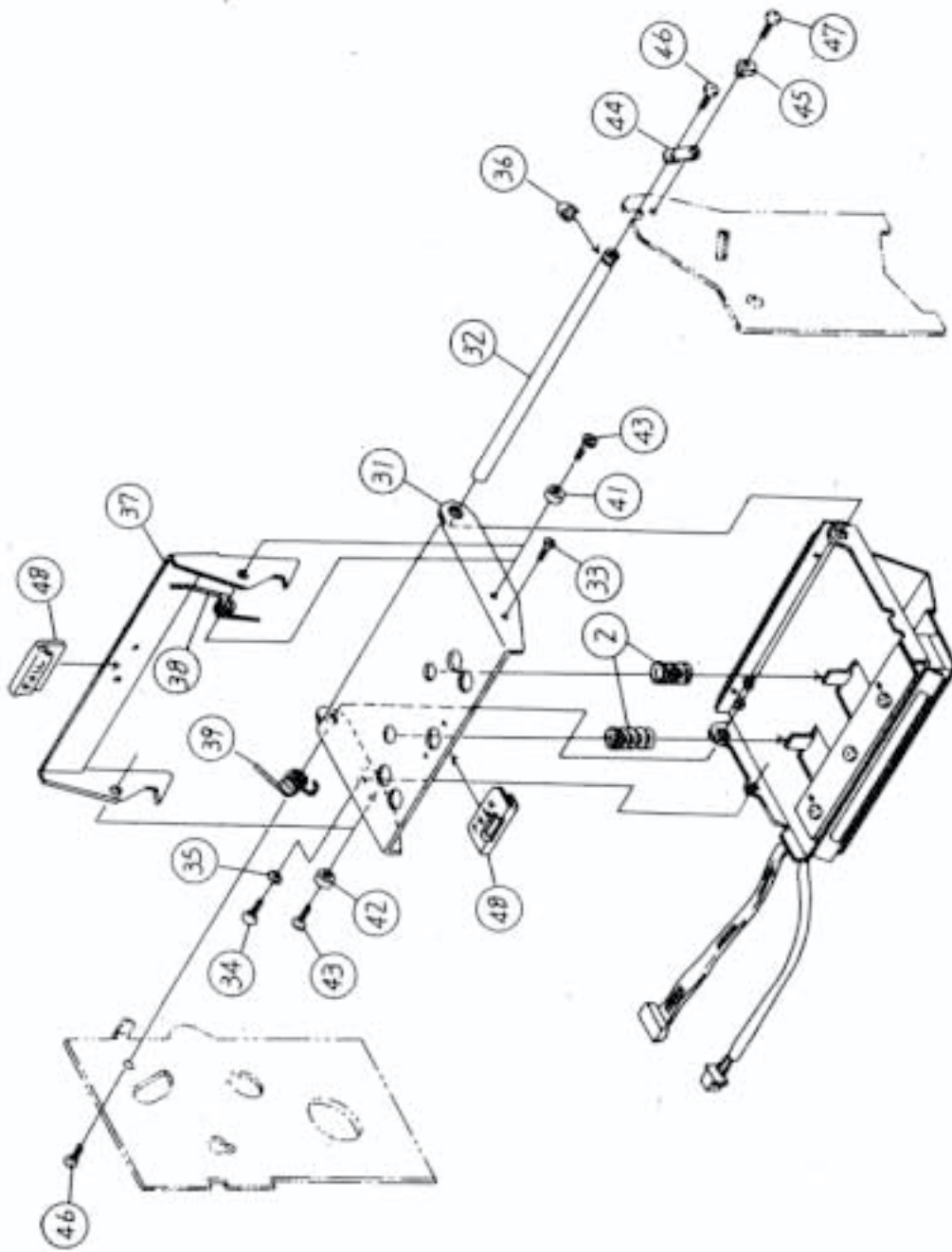
Base Cover Assembly

NO.	CODE	DESCRIPTION	QTY
1	PR3521500	Base frame	1
2	PT6680100	Rubber foot	4
3	PH1523200	Center frame	1
4	MH4300621	S-tight screw	3
5	PH1523300	Front plate	1
6	MH4300621	S-tight screw	5
7	PV9520300	Bush	1
8	PZ0521600	Rear cover	1
9	MH4300621	S-tight screw	3
10	MD4300821	Pan head screw	3
11	PA1729000	Cover (memory card)	1
12	MD4300821	Pan head screw	1
13	NB2040022	Toothed lock washer	1
14	MT1400722	Hex nut	1
15	PE1720300	Label stopper	1
16	PA3524000	Label unwind bracket	1
17	PA4520300	Stopper spring	1
18	NA1003022	Plain washer	1
19	MH0300821	P-tight screw	1
20	MD4300821	Pan head scrw	4
23	PE1520600	Rewind shaft bracket	1
24	MH4300821	S-tight screw	3
25	PE2520101	Spacer	1
26	MA0401621	Pan head screw	1
27	PA3526000	PCB bracket	1
28	MD4300821	Pan head screw	3
31	KA500801A	Power supply unit EX1	1
33	MD4300821	Pan head screw	2
34	GA200301A	Switch	1
35	HJ300081A	Inlet	1
36	MD4300821	Pan head screw	2
37	RH1523000	POW cable set	1
39	RH1525100	AC cord set (2)	1
40	RH1525200	AC cord set (3)	1
41	QC6523700	Sticker	1
43	PH2520801	Cover	1
45	RH1525500	AC cord set (4)	1
46	RH1525600	AC cord set (5)	1

Thermal Head Assembly



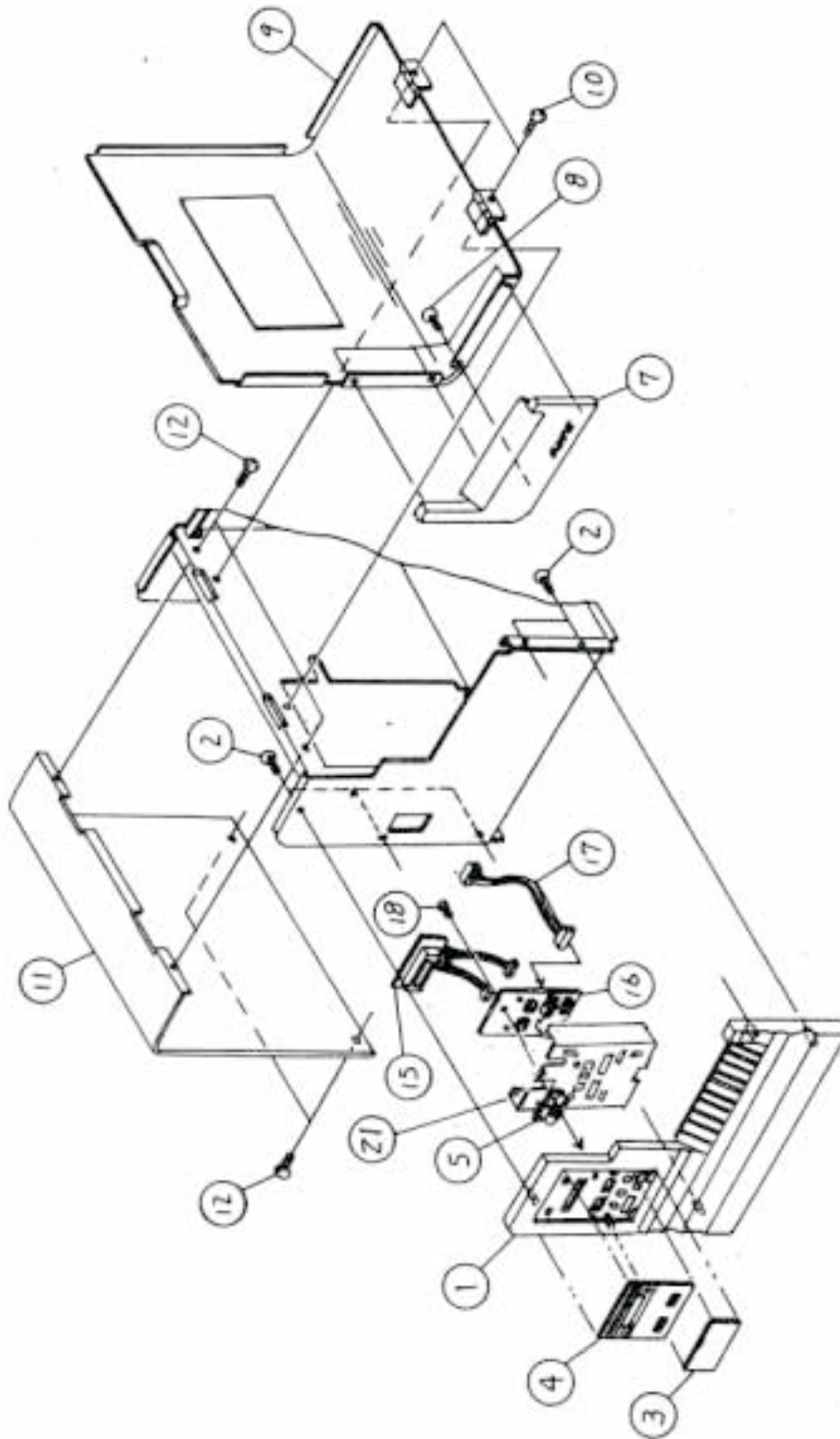
Thermal Head Assembly



Thermal Head Assembly

NO.	CODE	DESCRIPTION	QTY
1	PA3522800	Head bracket	1
2	PC1520100	Head spring	2
3	PA2520300	Head adjustment plate	1
4	MP7300522	Hex bolt	2
5	PA3525200	Tear off Bar	1
9	GH000421A	Thermal head	1
14	MD4300821	Pan head screw	1
16	MH0250621	Screw	1
19	RH1520900	Head cable set	1
20	PA3523300	Sensor bracket (up)	1
21	PE1631200	Sensor bracket	1
22	MD4300621	Pan head screw	2
25	RH1522200	Sensor Assy	1
26	PA4520200	Paper pressure	1
27	MD4300621	Pan head screw	2
31	PA3523000	Head bracket	1
32	PB0520800	Head shaft	1
33	MA1300422	Flat head screw	1
34	MH4300821	S-tight screw	1
35	NA1003022	Plain washer	1
36	ND0070030	E-snap ring	1
37	PA3523400	Latch lever	1
38	PC2520100	Torque spring	1
39	PC2520201	Torque spring	1
41	PB2520200	Collar (A)	1
42	PB2520300	Collar (B)	1
43	MJ9401021	Shin head screw	2
44	PA2521000	Adjust plate	1
45	PB5550100	Adjust nut	1
46	MD4300621	Pan head screw	2
47	MD4300821	Pan head screw	1
48	PE1520100	Lever guard	2

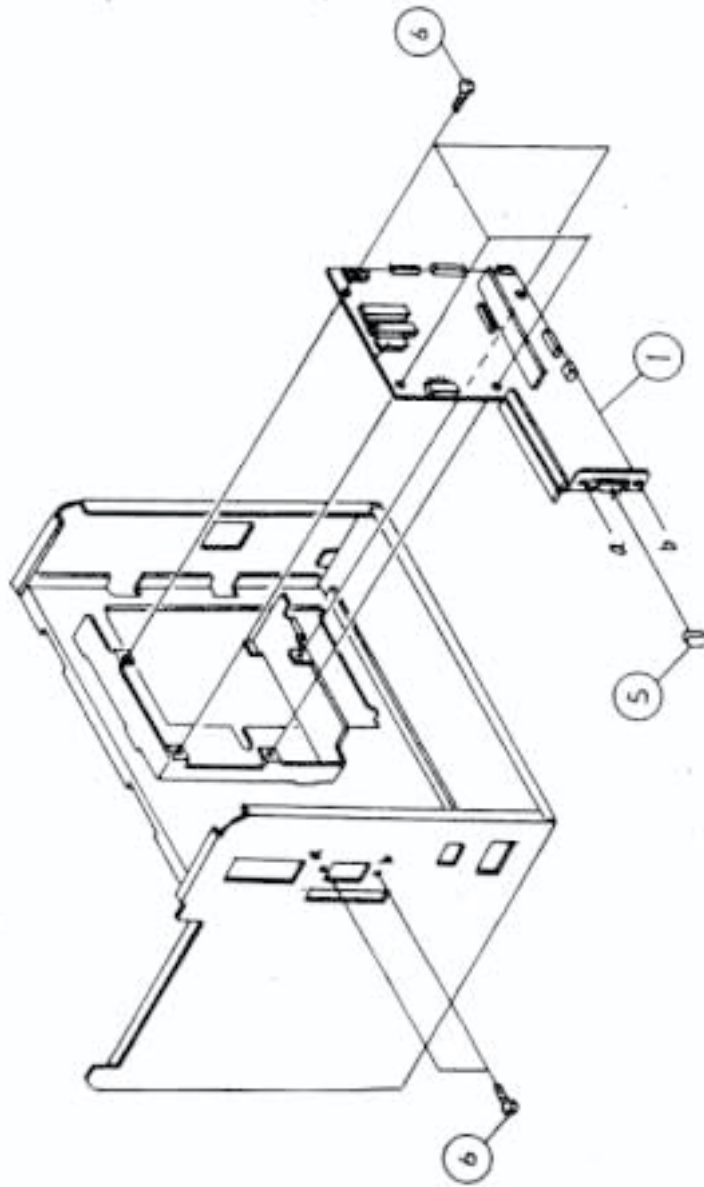
Cover Assembly



Cover Assembly

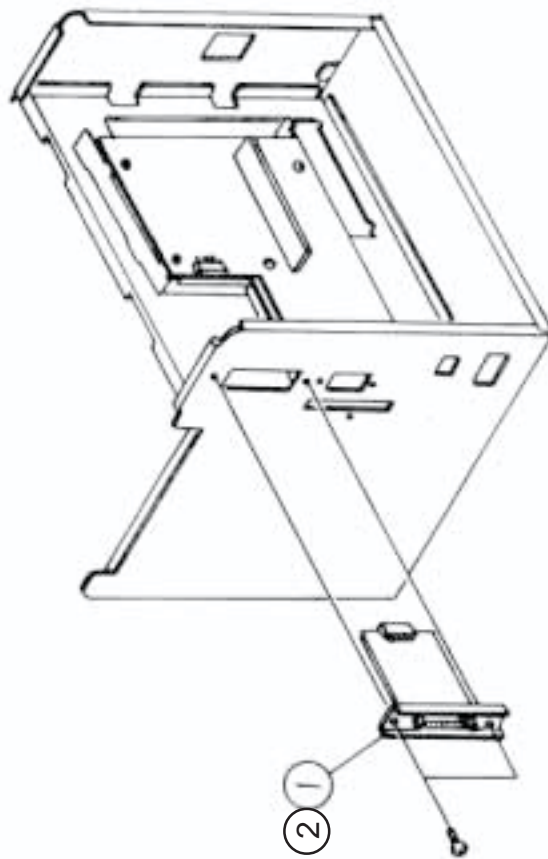
NO.	CODE	DESCRIPTION	QTY
1	PH0520700	Front cover (A)	1
2	MH0300821	P-tight screw	5
3	PH0520800	Dip switch cover	1
4	PH2520700	Panel	1
5	PE1520800	Button	1
7	PZ0521700	Front cover (B)	1
8	MH0300821	P-tight screw	4
9	PH1523500	Cover (RH)	1
10	MD4300621	Pan head screw	2
11	PH1523601	Cover (LH)	1
12	MD4300621	Pan head screw	4
15	RJ5520001	LCD display	1
16	RJ2522020	KB PCB set	1
17	RH1770500	KB cable set	1
18	MH0300821	P-tight screw	1
21	PG0520100	Shield	1

Main PCB Assembly



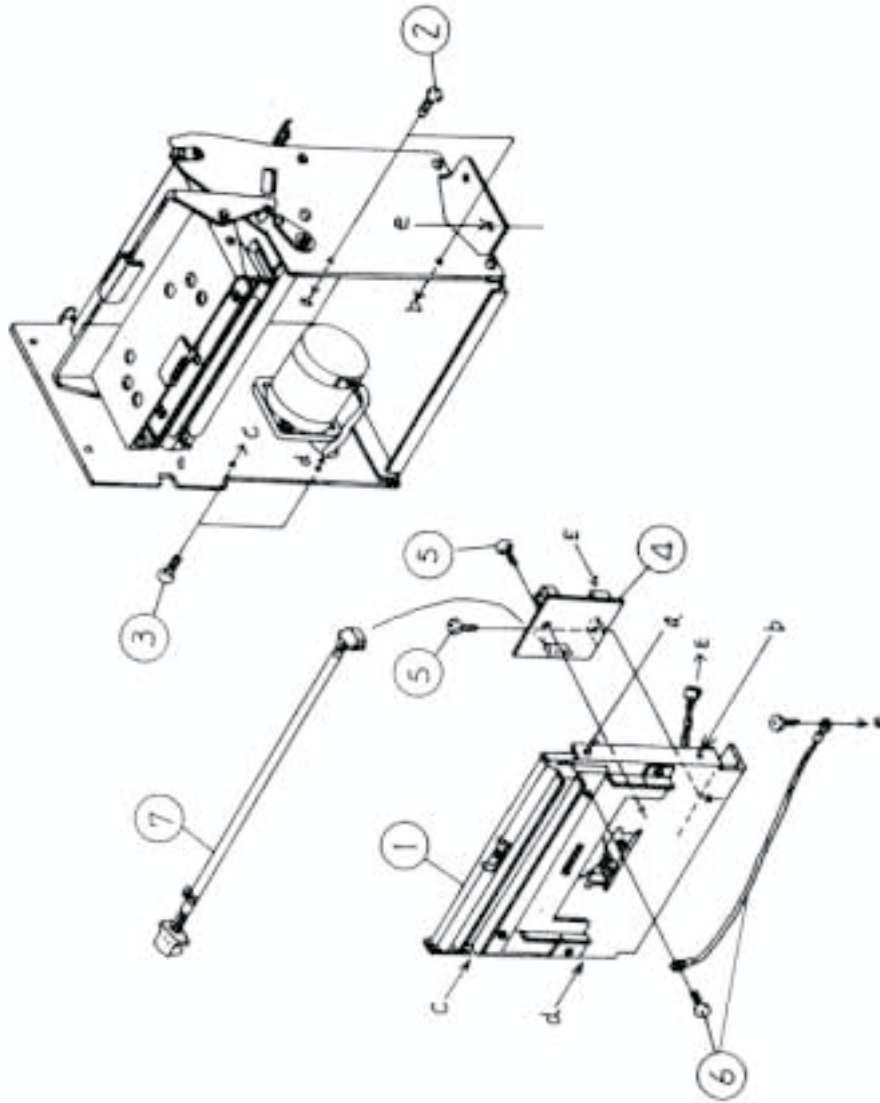
NO.	CODE	DESCRIPTION	QTY
1	RJ1522300	Main PCBsub assy(W/O ROM)	1
5	JG900411A	Cap	1
6	MD4300821	Pan head screw	6

Centronics PCB Assembly



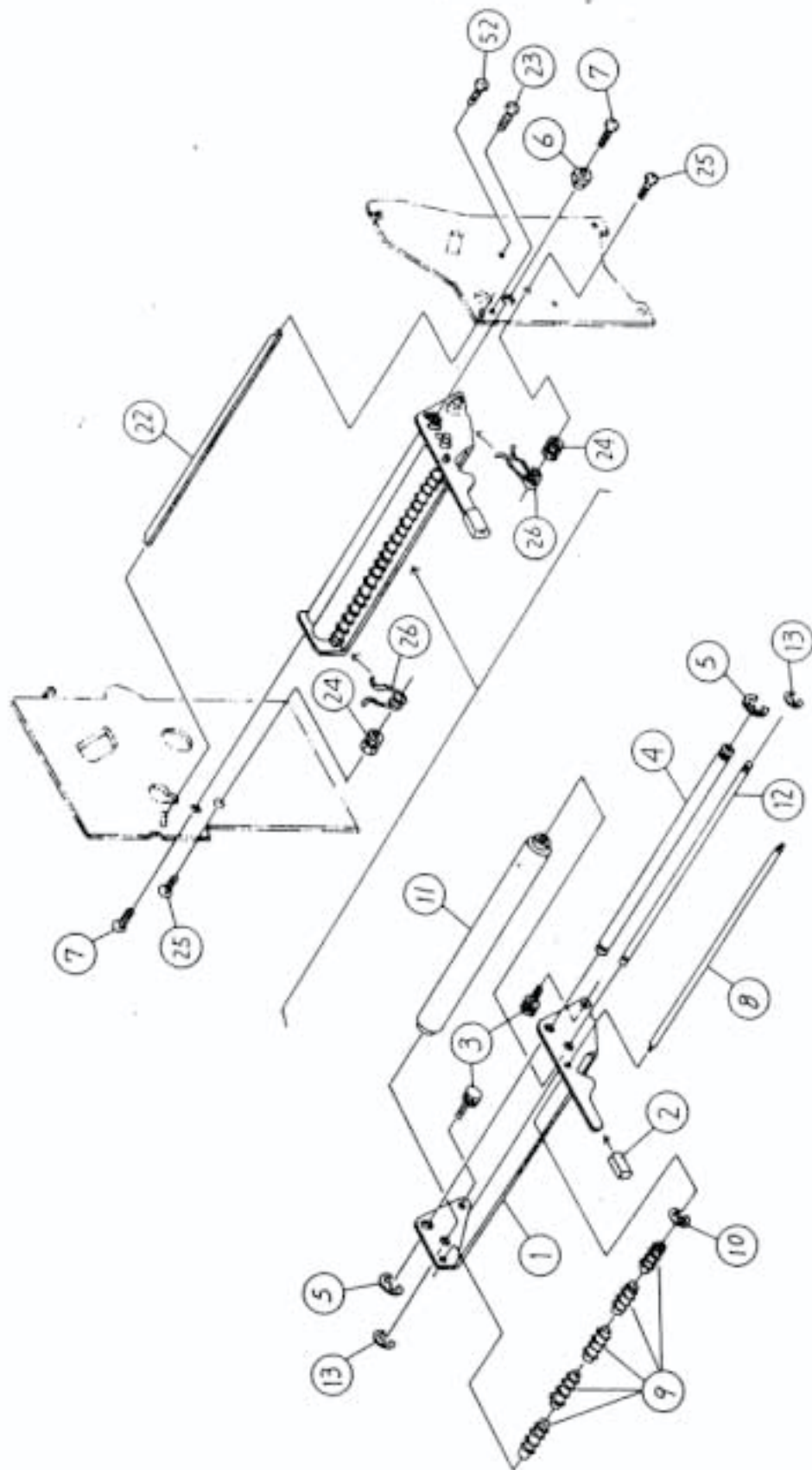
NO.	CODE	DESCRIPTION	QTY
1	RJ1772001	Parallel Interface	1
2	RJ1771200	Serial Interface	1

Cutter Unit Option

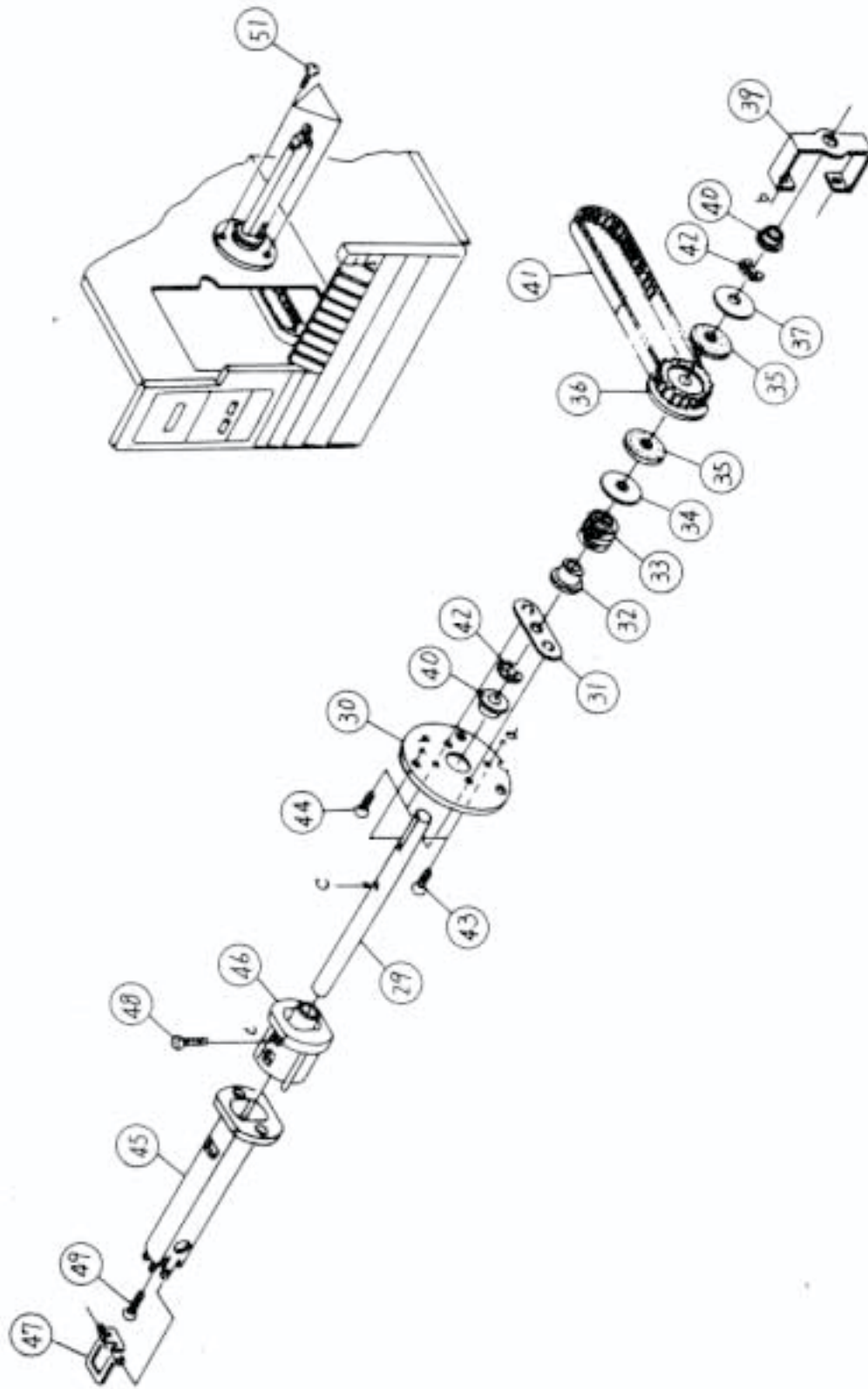


NO.	CODE	DESCRIPTION	QTY
1	PR7522100	Cutter set	1
2	MD4300621	Pan head screw	2
3	MH4300621	S-tight screw	2
4	RJ4520100	Cutter PCB	1
5	MD4300621	Pan head screw	2
6	RH1683400	FG liner	1
7	RH1522600	Cutter cable	1

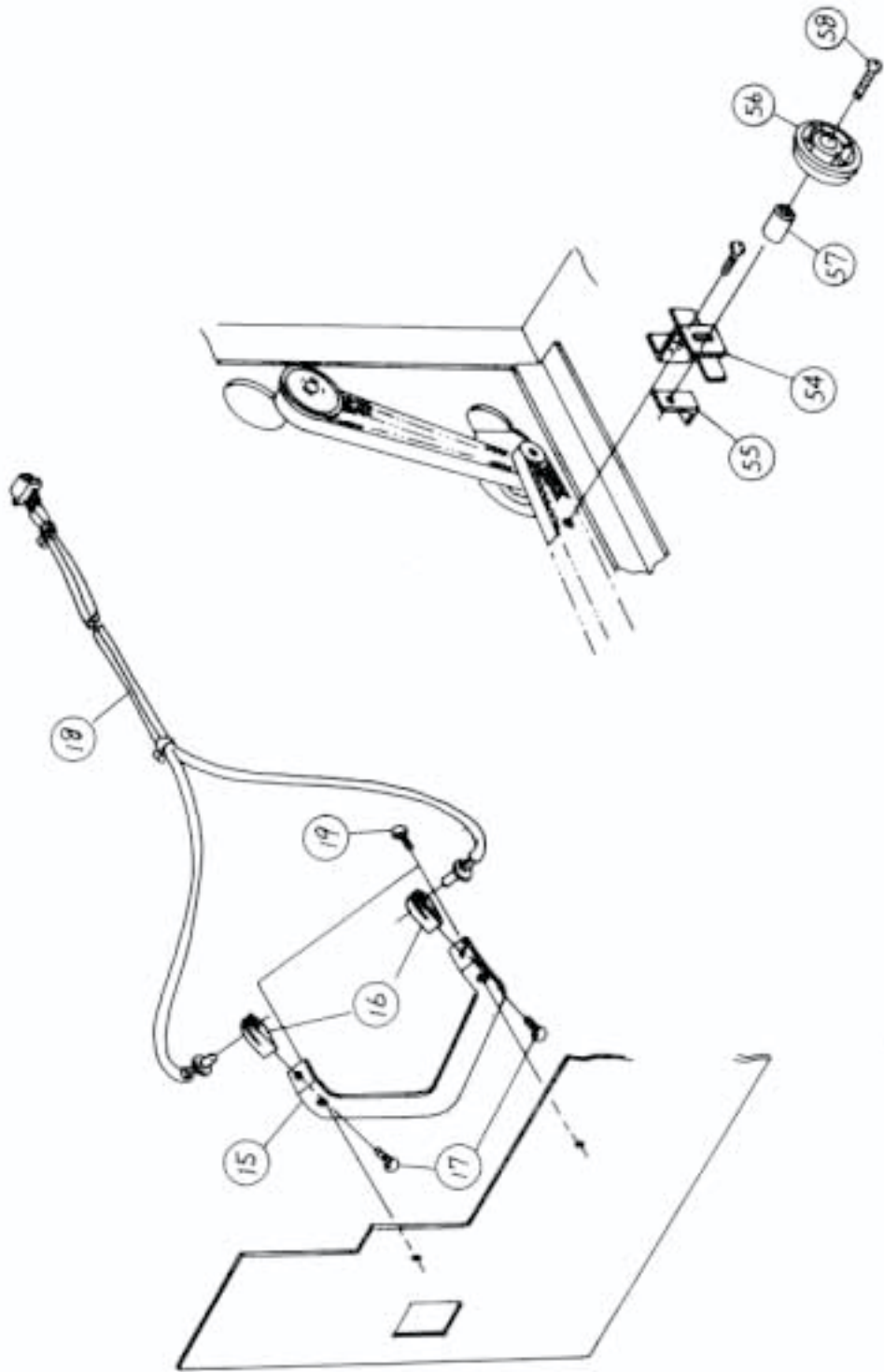
Dispenser Unit Option



Dispenser Unit Option



Dispenser Unit Option



Dispenser Unit Option

NO.	CODE	DESCRIPTION	QTY
1	PA3523100	Dispense bracket	1
2	PT9690500	Cap	1
3	PB0521300	Pressure guide (A)	2
4	PB0521500	Dispense br shaft	1
5	ND0060030	E-snap ring	2
6	PB5550100	Adjust nut	1
7	MD4300821	Pan head screw	2
8	PB0521600	Dispense roller shaft	1
9	PE3520600	Dispense roller	5
10	ND0020030	E-snap ring	1
11	PR1520200	Pressure roller	1
12	PB0521800	Pressure roller shaft	1
13	ND0040030	E-snap ring	2
15	PA3523200	Dispense sensor bracket	1
16	PE1570300	Dispense sensor bracket	2
17	MH0250621	P-tight screw	2
18	RH1522900	Dispense sensor	1
19	MH4300621	S-tight screw	2
22	PA2520800	Dispense bar	1
23	MD4300621	Pan head screw	1
24	PB0521400	Pressure guide (B)	2
25	MD4300621	Pan head screw	2
26	PC2520300	Pressure spring	2
29	PB0522401	Shaft (rewind)	1
30	PA0520300	Rewind plate	1
31	PA1520500	Tension plate	1
32	PE2520500	Guide collar	1
33	PC1520400	Spring (Rewind)	1
34	PA0770100	Frang	1
35	PJ4770100	Facing	2
36	PE8770400	Pulley (50)	1
37	PE7770100	Frang	1
39	PA3525300	Rewind frame	1
40	PT1112080	Ball supporter	2
41	PT8134064	Timing belt	1
42	ND0060030	E-snap ring	2
43	MD4300621	Pan head screw	2
44	MA0300621	Pan head screw	2

Dispenser Unit Option

NO.	CODE	DESCRIPTION	QTY
45	PE4770100	Rewind core	1
46	PE4770200	Rewind boss	1
47	PE1520700	Handle	1
48	MD4301221	Pan head screw	1
49	MD4401021	Pan head screw	1
51	MH4300821	S-tight screw	3
52	MD4401021	Pan head screw	1
54	PA3525401	Tension bracket	1
55	PA3525500	Plate nut	1
56	PE3720100	Tension roller	1
57	PB2720600	Collar	1
58	MD4401621	Pan head screw	1