

Parts List

For printer model:

M5900RVe



PN: 9001121(C)

SATO America, Inc.

**10350A Nations Ford Road
Charlotte, NC 28273**

Main Phone: (704) 644.1650

Technical Support: (704) 644.1660

Technical Support Fax: (704) 644.1661

E-Mail: satosales@satoamerica.com

techsupport@satoamerica.com

www.satoamerica.com

Copyright 2011 SATO America, Inc. All rights reserved

FRAME ASSEMBLY WITH DRIVE TRAIN

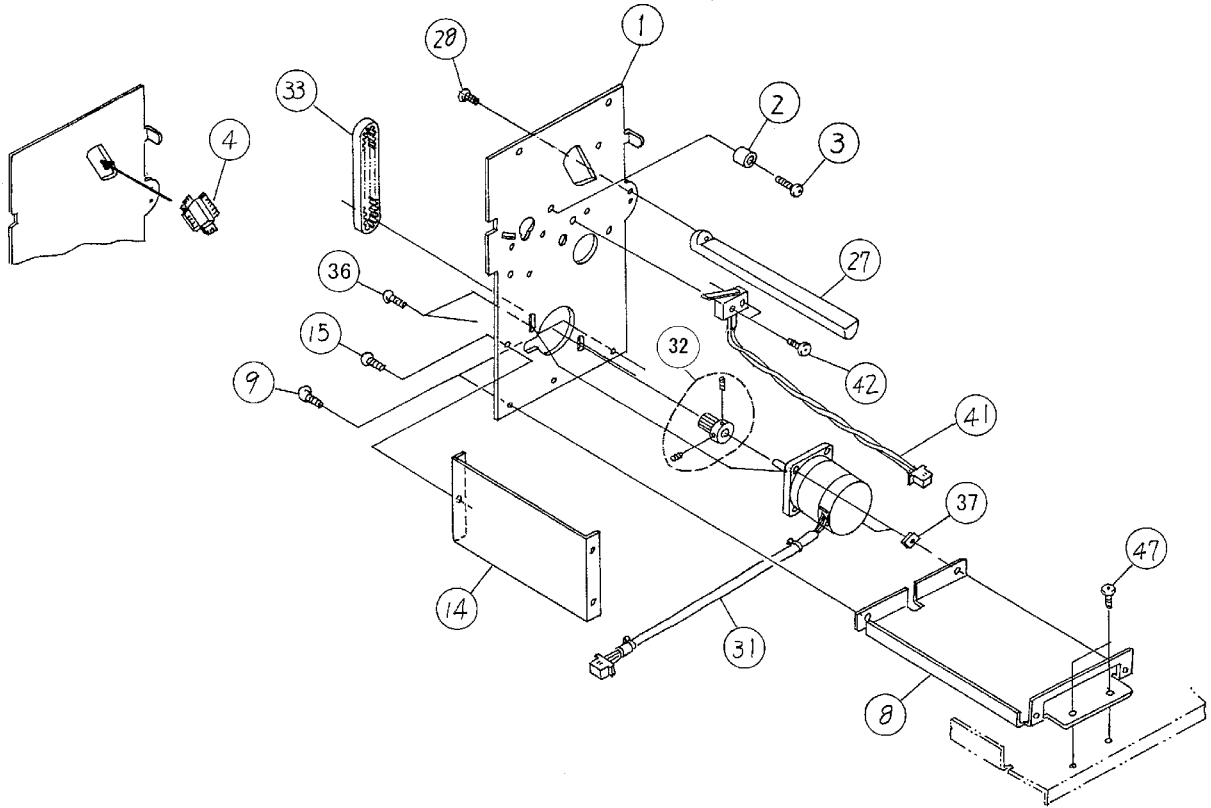


Figure PL1a, Frame Assembly

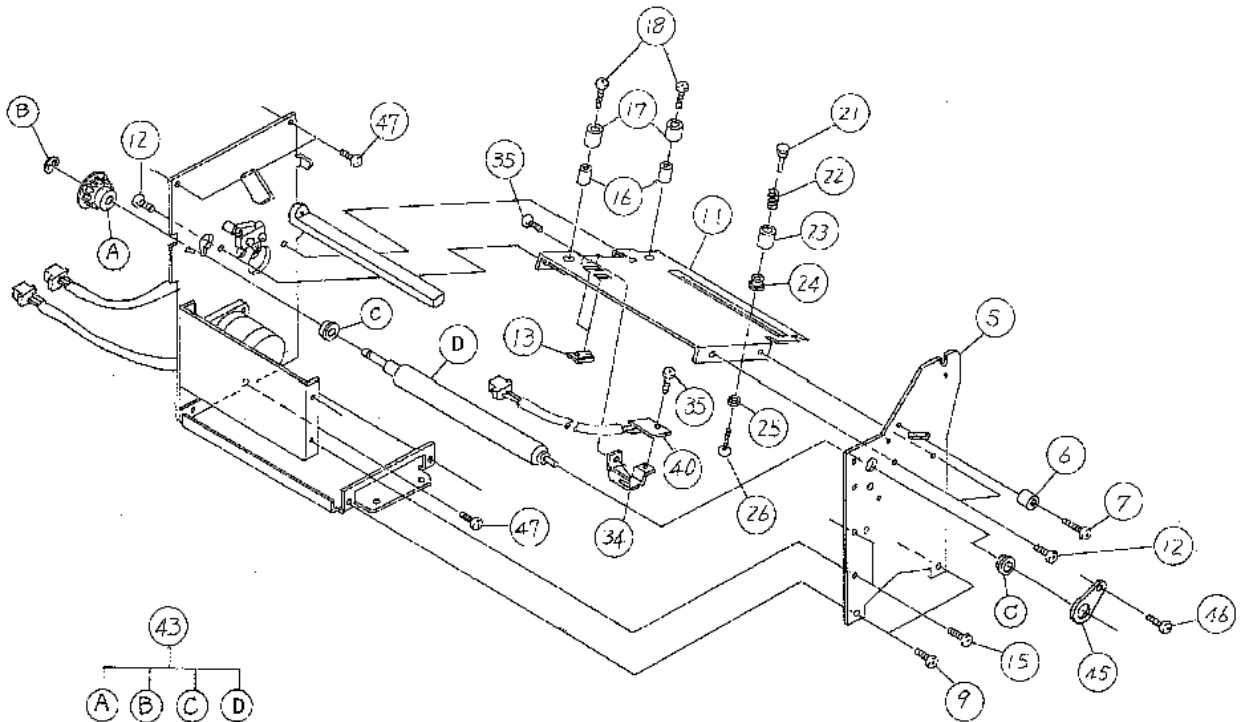


Figure PL1b, Frame Assembly

FRAME ASSEMBLY WITH DRIVE TRAIN			
ITEM	PART NUMBER	PART DESCRIPTION	QTY
1	PA2520600	LEFT FRAME MEMBER	1
2	PB2520200	COLLAR	1
3	MA0401021	PAN HEAD SCREW	1
4	PV9720200	BUSH	1
5	PA2520700	RIGHT FRAME MEMBER	1
6	PB2520200	COLLAR	1
7	MA0401021	PAN HEAD SCREW	1
8	PA3522500	LOWER BRACKET	1
9	MH4300821	PAN HEAD SCREW, S-TIGHT	4
11	PA3522600	PAPER RAMP	1
12	MH4300821	PAN HEAD SCREW, S-TIGHT	4
13	PE1570801	SENSOR WINDOW	2
14	PA3523700	FRONT BRACE	1
15	MH4300621	PAN HEAD SCREW, S-TIGHT	3
16	PE3520400	SPACER	2
17	PE3520500	ROLLER	2
18	MA0301022	PAN HEAD SCREW	2
21	PE2520300	KNOB CAP	1
22	PC1520200	SPRING	1
23	PE3520101	KNOB	1
24	PM6401200	BUSH	1
25	PT9520400	WASHER	1
26	MH0300821	PAN HEAD SCREW, P-TIGHT	1
27	PE1520300	LABEL GUIDE, BLACK PLASTIC	1
28	MH0300821	PAN HEAD SCREW, P-TIGHT	1
31	PR7520100	MOTOR, STEPPER	1
32	PR7520200	MOTOR PULLEY	1
33	PT8122064	TIMING BELT	1
34	PA3522700	SENSOR BRACKET	1
35	MD4300621	PAN HEAD SCREW W/LARGE FLAT & LOCK WASHER	2
36	MD4401421	PAN HEAD SCREW W/LARGE FLAT & LOCK WASHER	2
37	PA1190000	PLATE NUT	2
40	RJ3520000	SENSOR	1
41	RH1523300	HEAD OPEN SWITCH	1
42	MD3201221	PAN HEAD SCREW W/NARROW FLAT & LOCK WASHER	2
43	PR1520300	PLATEN ROLLER	1
45	PA1680200	RETAINING CLAMP	1
46	MD4300621	PAN HEAD SCREW W/LARGE FLAT & LOCK WASHER	1
47	MD4300821	PAN HEAD SCREW W/LARGE FLAT & LOCK WASHER	5

HOUSING AND ELECTRONICS ASSEMBLIES

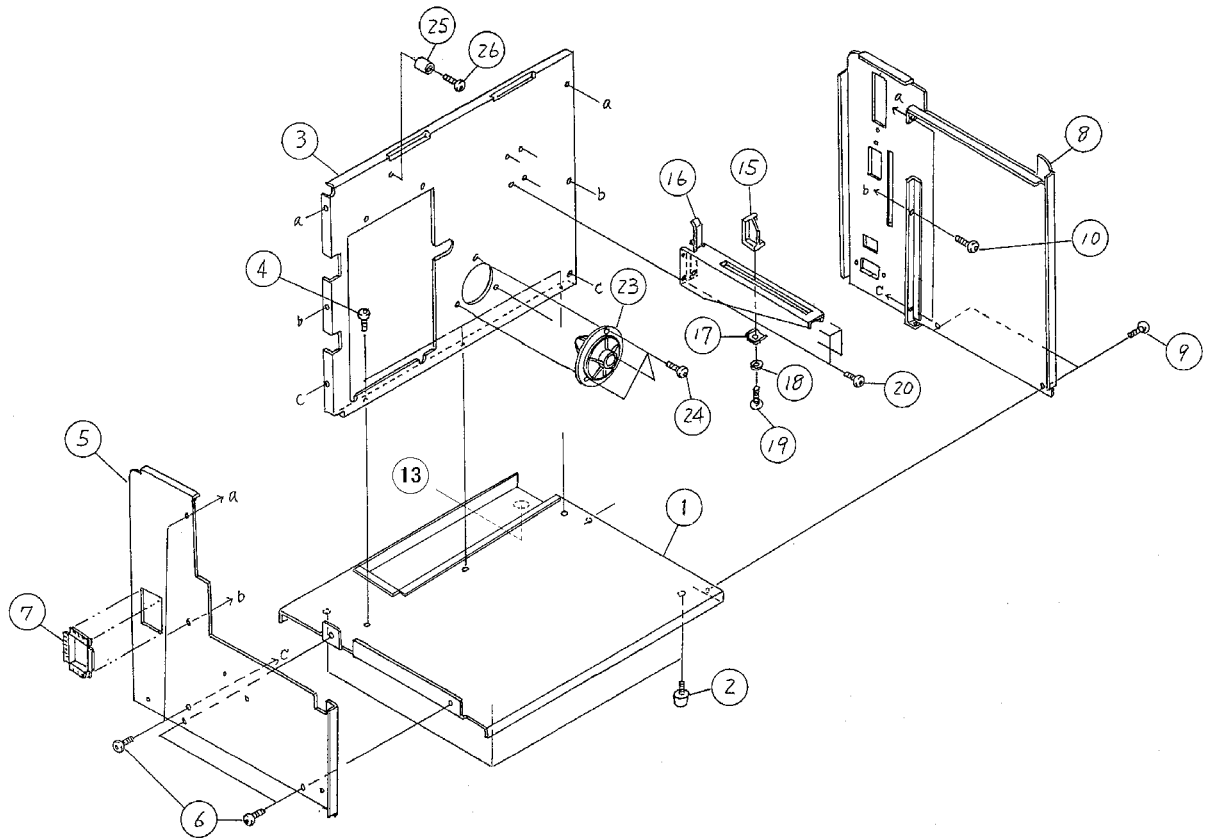


Figure PL2a, Housing Cover Assembly

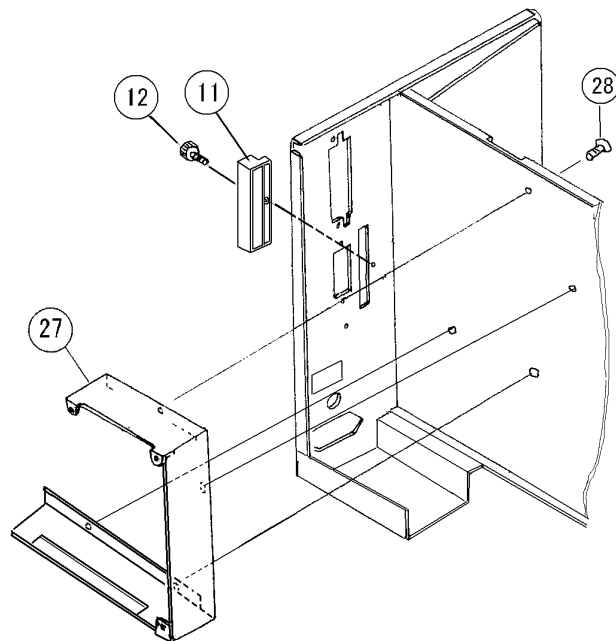


Figure PL2b, Housing Cover Assembly

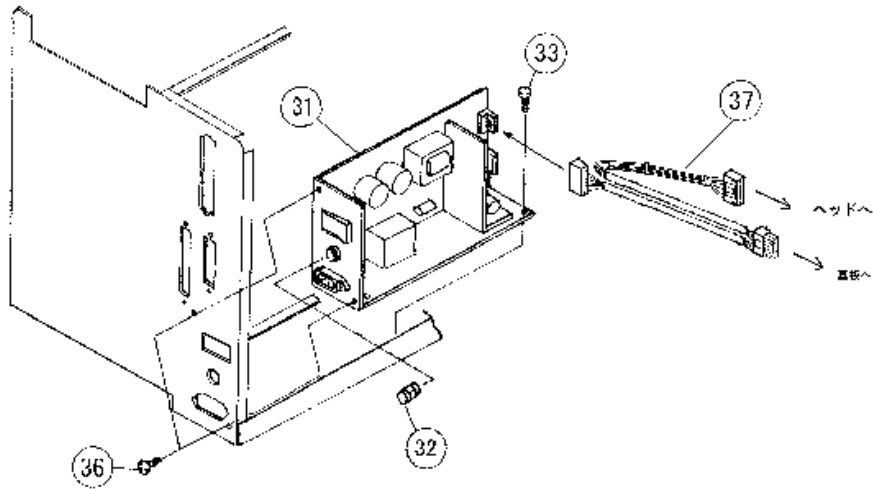


Figure PL2c, Housing cover Assembly

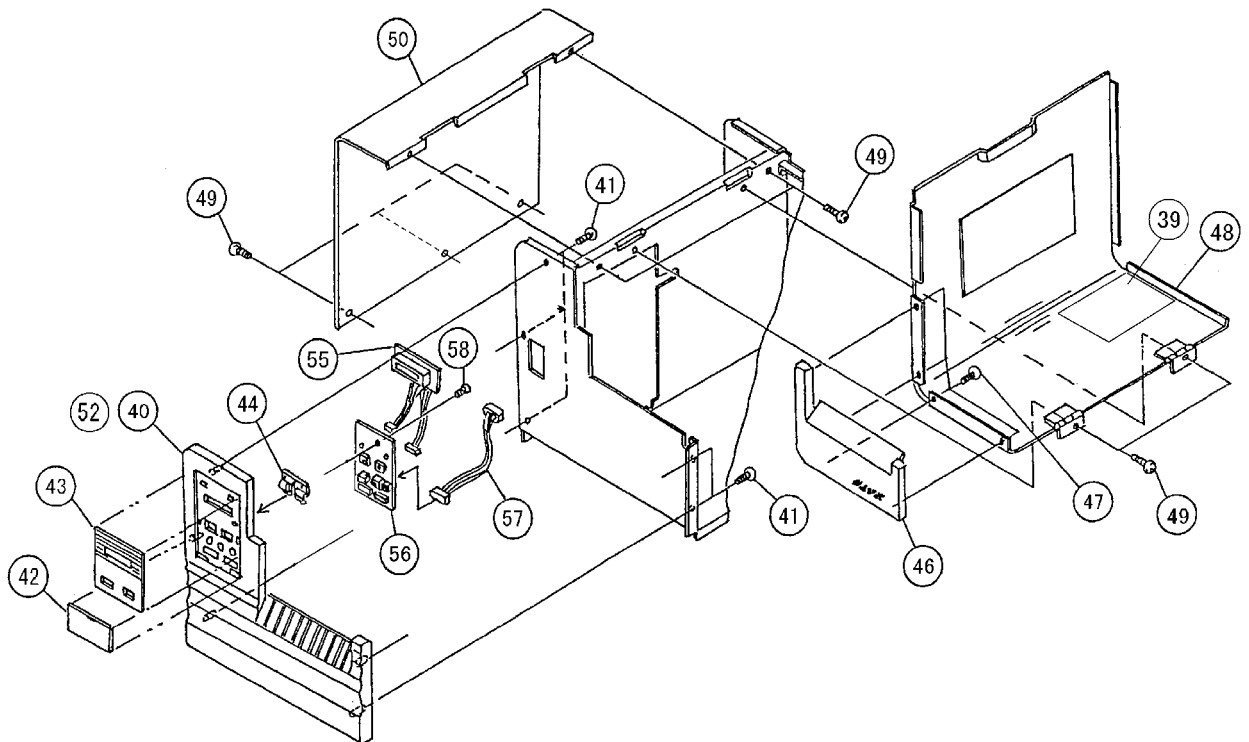


Figure PL2d, Housing Cover Assembly

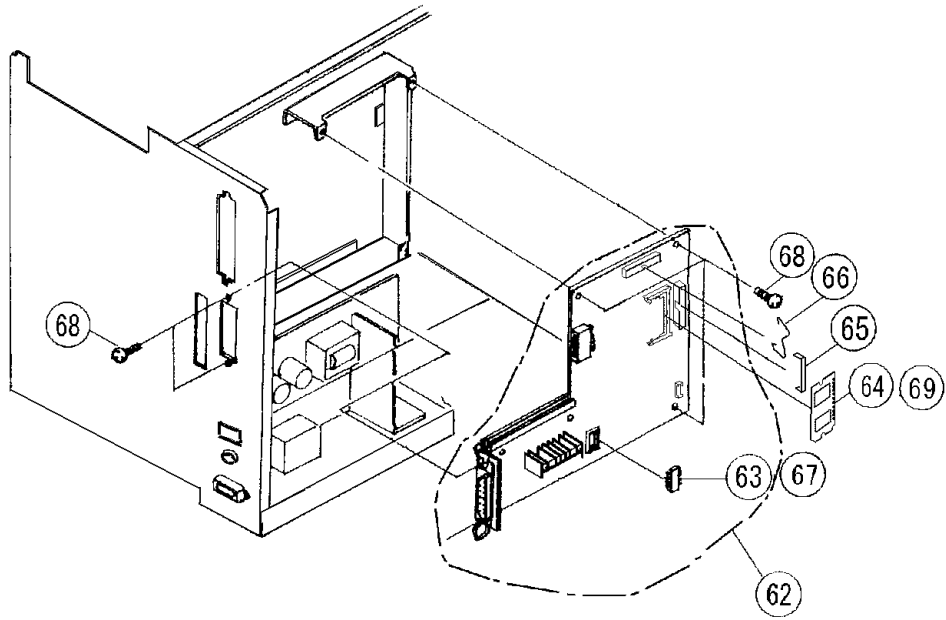


Figure PL2e, Housing Cover Assembly

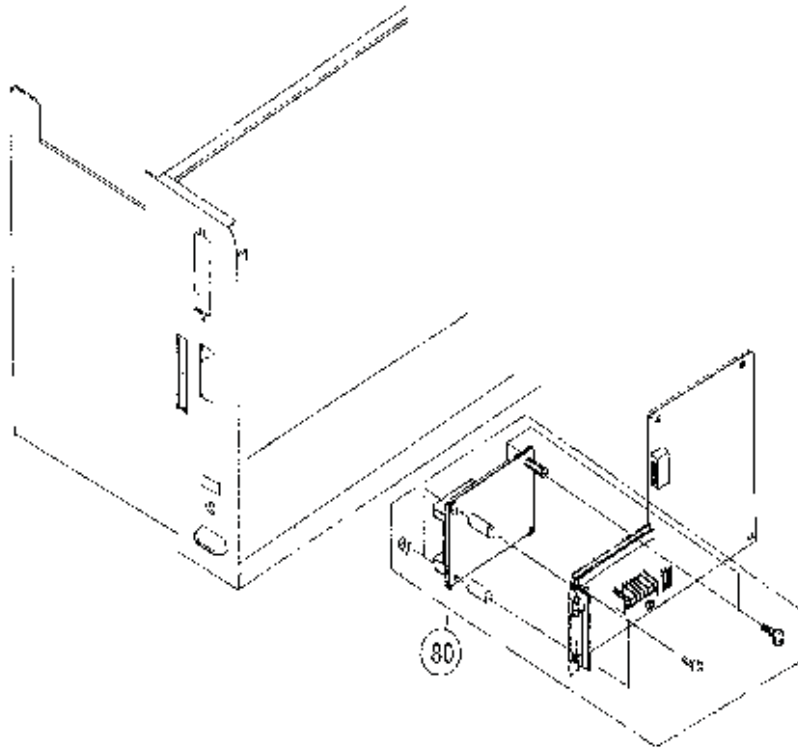


Figure PL2f, Housing Cover Assembly

HOUSING AND ELECTRONICS ASSEMBLIES			
ITEM	PART NUMBER	PART DESCRIPTION	QTY
1	P00893000	BASE ASSEMBLY	1
2	P00796000	BOOT, RUBBER	3
3	P00319010	CENTER FRAME	1
4	MH4300821	PAN HEAD SCREW	3
5	PH1523300	FRONT PLATE	1
6	MH4300821	PAN HEAD SCREW	5
7	PV9520300	BUSH	1
8	P00316000	REAR HOUSING COVER	1
9	MD4300621	PAN HEAD SCREW W/LARGE FLAT & LOCK WASHER	2
10	MD4300621	PAN HEAD SCREW W/LARGE FLAT & LOCK WASHER	3
11	PE6771001	MEMORY CARD	1
12	PB5A20001	THUMB SCREW, KNURLED	1
13	PV2760100	BOOT, RUBBER	1
15	PE1720300	LABEL GUIDE	1
16	PA3524000	LABEL SUPPLY BRACKET	1
17	PA4520300	LABEL GUIDE SPRING	1
18	NA1003022	FLAT WASHER	1
19	MH0300821	PAN HEAD SCREW, P-TIGHT	1
20	MD4300621	PAN HEAD SCREW W/LARGE FLAT & LOCK WASHER	4
23	PE1520600	REWIND SHAFT BRACKET, PLASTIC, BLACK	1
24	MH4300821	PAN HEAD SCREW	3
25	PE2520101	SPACER	1
26	MA0401621	PAN HEAD SCREW	1
27	P00321000	CIRCUIT BOARD BRACKET	1
28	MD4300621	PAN HEAD SCREW W/LARGE FLAT & LOCK WASHER	4
31	KA500631A	POWER BOARD ASSEMBLY	1
32	HD100321A	CERAMIC FUSE, 250V/3.15A	1
33	MD4300621	PAN HEAD SCREW W/LARGE FLAT & LOCK WASHER	2
36	MD4300821	PAN HEAD SCREW, P-TIGHT	2
37	RH1775100	POWER/HEAD WIRING HARNESS	1
39	Q00128000	ADHESIVE LABEL	1
40	PH0520700	FRONT HOUSING COVER (A), PLASTIC, GREY	1
41	MH0300821	PAN HEAD SCREW, P-TIGHT	5
42	PH0520800	DIP SWITCH COVER, PLASTIC, GREY	1
43	PH2520700	PANEL, CLEAR PLASTIC	1
44	PE1520800	SWITCH BUTTON	1
46	P00532000	FRONT HOUSING COVER (B), PLASTIC, GREY	1
47	MH0300821	PAN HEAD SCREW, P-TIGHT	4
48	PH1523500	RIGHT HOUSING COVER	1

HOUSING AND ELECTRONICS ASSEMBLIES			
ITEM	PART NUMBER	PART DESCRIPTION	QTY
49	MD4300621	PAN HEAD SCREW W/LARGE FLAT & LOCK WASHER	7
50	P00317000	LEFT HOUSING COVER	1
52	PV3520700	FRONT HOUSING COVER (C)	1
55	RH1745700	LCD BOARD W/WIRING HARNESS	1
56	RJ2522020	PANEL BOARD	1
57	RH1770500	PANEL BOARD WIRING HARNESS	1
58	MH0300821	PAN HEAD SCREW, P-TIGHT	1
62	R00459000	MAIN CIRCUIT BOARD	1
63	CJ058651A	EEPROM	1
64	RJ7770200	MEMORY CARD	1
65	PA3739900	CONNECTOR LOCK	1
66	PC9730100	LOCK SPRING	1
67	CV617431A	REAL-TIME CLOCK (OPTION)	1
68	MD4300621	PAN HEAD SCREW	3
69	RJ7770300	4MB MEMORY CARD (OPTION)	1
80	RJ4770100	EXPANSION BOARD (OPTION)	1

PRINT ASSEMBLY

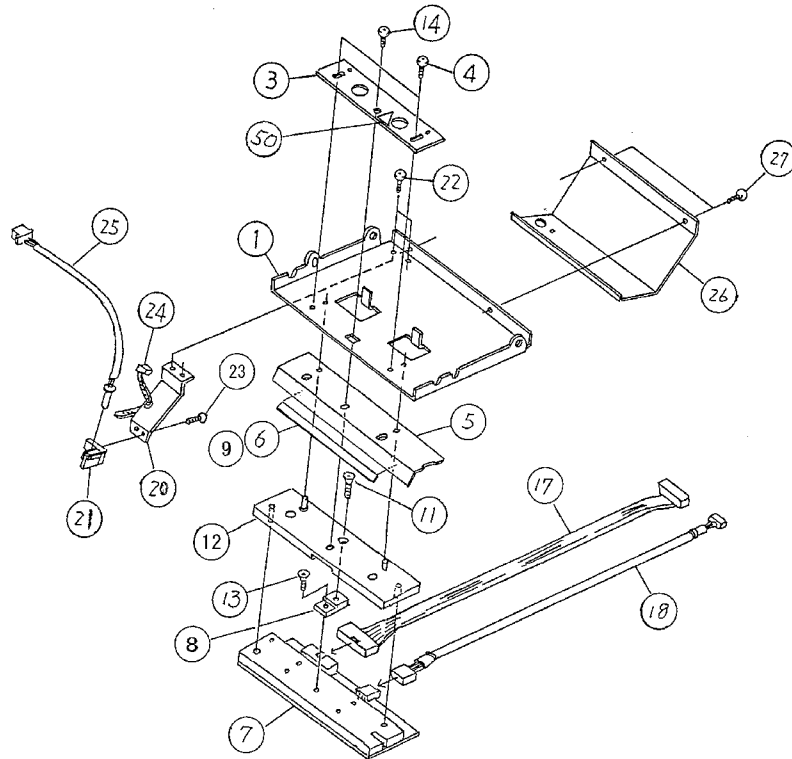


Figure PL3a, Print Assembly

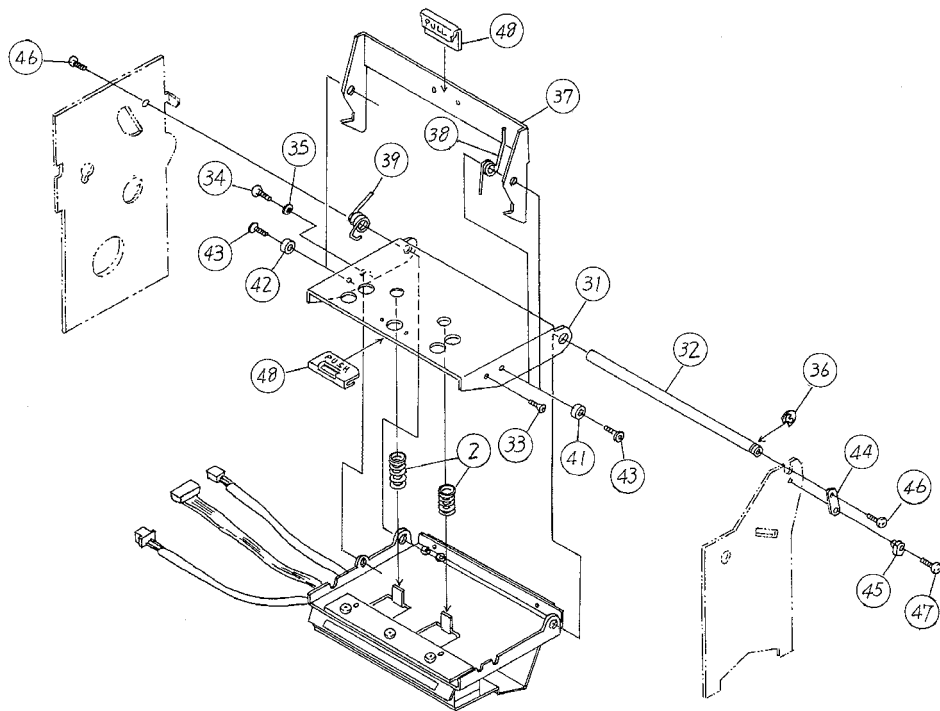


Figure PL3b, Print Assembly

PRINT ASSEMBLY			
ITEM	PART NUMBER	PART DESCRIPTION	QTY
1	PA3522800	LOWER PRINT ASSEMBLY BRACKET	1
2	PC1520100	HEAD BALANCE SPRING	2
3	PA2520300	PRINT HEAD PLATE	1
4	MP7300522	HEX HEAD SCREW W/LARGE FLAT & LOCK WASHERS	2
5	PA3525200	LABEL TEAR BAR	1
6	QC6521400	ADHESIVE LABEL, CUTTER CAUTION	1
7	P00273000	THERMAL PRINT HEAD	1
9	QC6522100	ADHESIVE LABEL, CUTTER CAUTION	1
12	PR1521100	PRINT HEAD MOUNT PLATE	1
14	MD4300821	PAN HEAD SCREW W/LARGE FLAT & LOCK WASHERS	1
17	R00437000	PRINT HEAD WIRING HARNESS	1
20	PA3523300	GAP SENSOR BRACKET, METAL	1
21	PE1631200	GAP SENSOR BRACKET, PLASTIC, BLACK	1
22	MD4300621	PAN HEAD SCREW W/LARGE FLAT & LOCK WASHERS	2
23	MH250621	PAN HEAD SCREW, P-TIGHT	1
24	JG100011A	CABLE TIE	1
25	RH1522200	GAP SENSOR ASSEMBLY	1
26	PA4520200	PAPER PRESSURE PLATE	1
27	MD4300621	PAN HEAD SCREW W/LARGE FLAT & LOCK WASHERS	2
31	PA3523000	UPPER PRINT ASSEMBLY BRACKET	1
32	PB0520800	PRINT ASSEMBLY SHAFT	1
33	MA1300422	FLAT HEAD SCREW	1
34	MH4300821	PAN HEAD SCREW, S-TIGHT	1
35	NA1003022	FLAT WASHER	1
36	ND0070030	SNAP RING, TYPE E	1
37	PA3523400	LATCH LEVER	1
38	PC2520100	TORQUE SPRING (A)	1
39	PC2520201	TORQUE SPRING (B)	1
41	PB2520200	COLLAR (A)	1
42	PB2520300	COLLAR (B)	1
43	MJ9401021	THIN HEAD SCREW	2
44	PA2521000	ADJUSTMENT PLATE	1
45	PB5550100	ECCENTRIC NUT	1
46	MD4300621	PAN HEAD SCREW W/LARGE FLAT & LOCK WASHERS	2
47	MD4300821	PAN HEAD SCREW W/LARGE FLAT & LOCK WASHERS	1
48	PE1520100	LEVER HANDLE, PLASTIC, GREEN	2
50	QC6524200	ADHESIVE LABEL, CAUTION HOT	1

DISPENSER ASSEMBLY

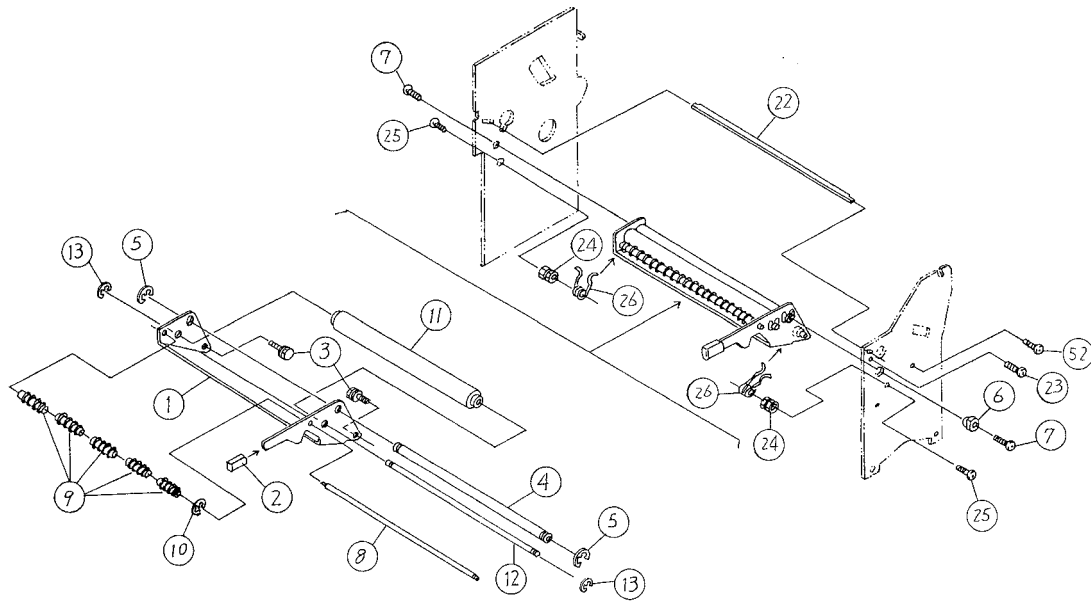


Figure PL4a, Dispenser Assembly

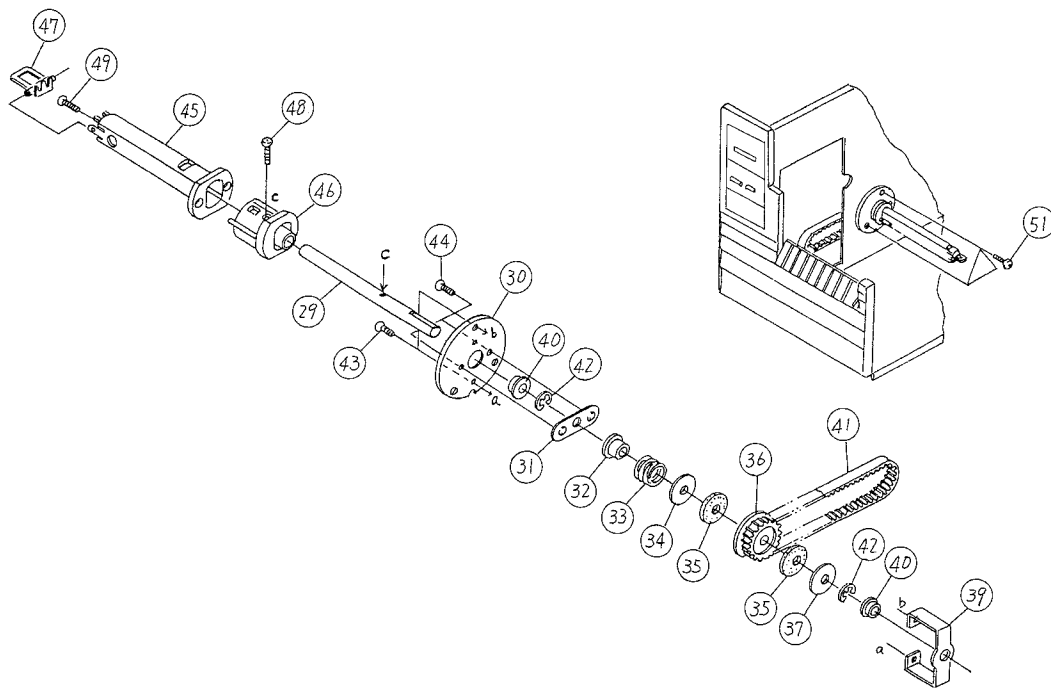


Figure PL4b, Dispenser Assembly

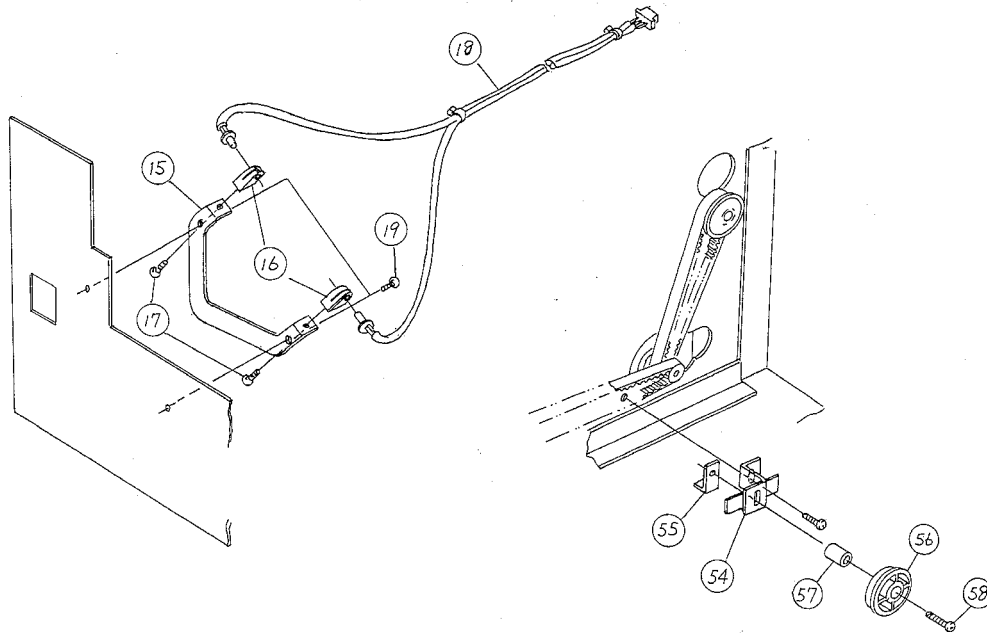


Figure PL4c, Dispenser Assembly

DISPENSER ASSEMBLY			
ITEM	PART NUMBER	PART DESCRIPTION	QTY
1	PA3523100	DISPENSER BRACKET	1
2	PT9690500	TCV CAP	1
3	PB0521300	SPRING POST (A)	2
4	PB0521500	DISPENSER BRACKET SHAFT	1
5	ND0060030	SNAP RING, TYPE E	2
6	PB5550100	ECCENTRIC NUT	1
7	MD4300821	PAN HEAD SCREW W/LARGE FLAT & LOCK WASHERS	2
8	PB0521600	DISPENSER ROLLER SHAFT	1
9	PE3520600	DISPENSER ROLLER	5
10	ND0020030	SNAP RING, TYPE E	1
11	PR1520200	PRESSURE ROLLER	1
12	PB0521800	PRESSURE ROLLER SHAFT	1
13	ND0040030	SNAP RING, TYPE E	2
15	PA3523200	SENSOR BRACKET, METAL	1
16	PE1570300	SENSOR BRACKET, PLASTIC, BLACK	2
17	MH0250621	PAN HEAD SCREW, P-TIGHT	2
18	RH1522900	DISPENSER SENSOR ASSEMBLY	1

DISPENSER ASSEMBLY			
ITEM	PART NUMBER	PART DESCRIPTION	QTY
19	MH4300821	PAN HEAD SCREW, S-TIGHT	2
22	PA2520800	PEELER BAR	1
23	MD4300621	PAN HEAD SCREW W/LARGE FLAT & LOCK WASHERS	1
24	PB0521400	SPRING POST (B)	2
25	MD4300621	PAN HEAD SCREW W/LARGE FLAT & LOCK WASHERS	2
26	PC2520300	PRESSURE SPRING	2
29	PB0522401	PAPER REWINDER SHAFT	1
30	PA0520300	PAPER REWINDER MOUNTING PLATE	1
31	PA1520500	TENSION PLATE	1
32	PE2520500	GUIDE COLLAR	1
33	PC1520400	REWINDER SPRING	1
34	PA0770100	FLANGE	1
35	PJ4770100	FACING, 9x26x2	2
36	PE8770400	PULLEY, 50 TOOTH	1
37	PE7770100	FLANGE, 8x26	1
39	PA3525300	REWIND FRAME	1
40	PT1112080	BALL SUPPORTER	2
41	PT8134064	MINI PITCH BELT	1
42	ND0060030	SNAP RING, TYPE E	2
43	MD4300621	PAN HEAD SCREW W/LARGE FLAT & LOCK WASHERS	2
44	MA0300621	PAN HEAD SCREW	2
45	PE4770100	REWINDING CORE	1
46	PE4770200	REWINDING BOSS	1
47	PE1520700	REWINDING HANDLE	1
48	MD4301221	PAN HEAD SCREW W/LARGE FLAT & LOCK WASHERS	1
49	MD4401021	PAN HEAD SCREW W/LARGE FLAT & LOCK WASHERS	1
51	MH4300821	PAN HEAD SCREW, S-TIGHT	3
52	MD4401021	PAN HEAD SCREW W/LARGE FLAT & LOCK WASHERS	1
54	PA3525401	TENSION BRACKET	1
55	PA3525500	PLATE NUT	1
56	PE3720100	TENSION ROLLER	1
57	PB2720600	COLLAR, 4x6x9.2	1
58	MD4401621	PAN HEAD SCREW W/LARGE FLAT & LOCK WASHERS	1

CUTTER ASSEMBLY

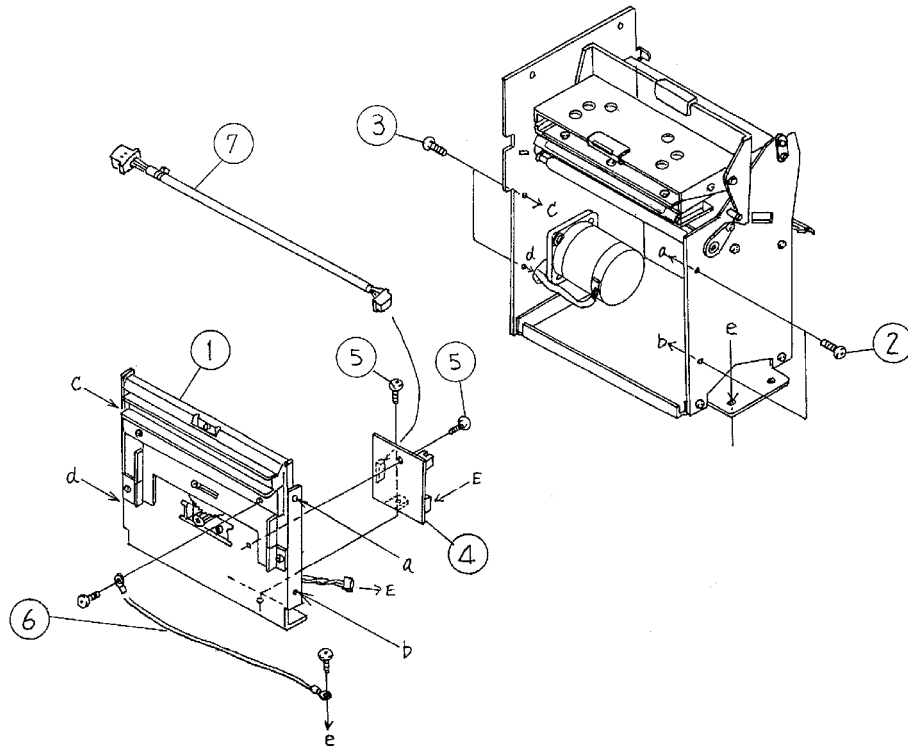


Figure PL5, Cutter Assmbly

CUTTER ASSEMBLY			
ITEM	PART NUMBER	PART DESCRIPTION	QTY
1	PR7522100	CUTTER ASSEMBLY	1
2	MD4300621	PAN HEAD SCREW W/NARROW FLAT & LOCK WASHERS	2
3	MH4300821	PAN HEAD SCREW, S-TIGHT	2
4	RJ4520100	CUTTER CIRCUIT BOARD	1
5	MD4300621	PAN HEAD SCREW W/NARROW FLAT & LOCK WASHERS	2
6	RH1683400	GROUND CABLE	1
7	RH1522600	CUTTER WIRING HARNESS	1