

M8400RV

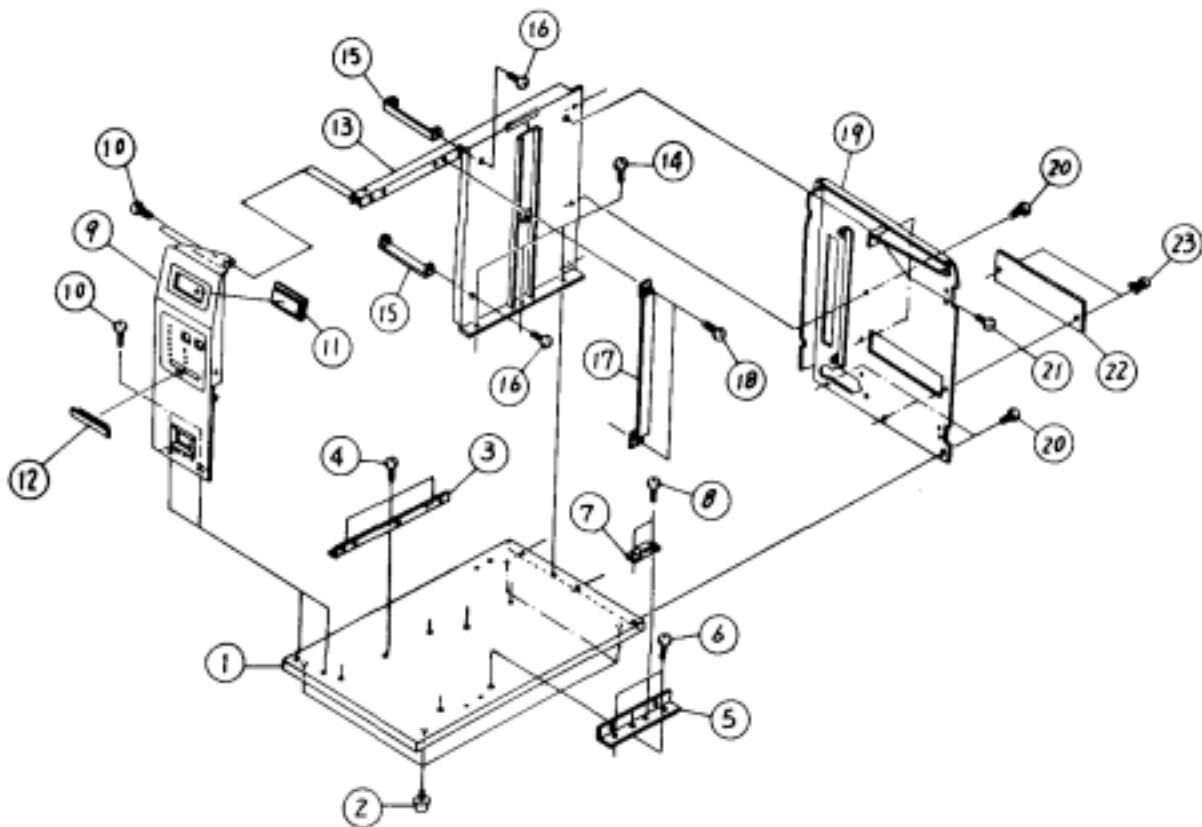
Base Cover Assembly			
Item #	Part Number	Part Description	Qty
1	PH1741200	Base frame	1
2	PT6680100	Rubber foot	4
3	PA3741000	Frame bracket	1
4	MD4301022	Pan head screw	3
5	PA3742500	Frame bracket	1
6	MD4301022	Pan head screw	2
7	PT9689000	Magnet	1
8	MD4301022	Pan head screw	2
9	PZ0740500	Cover (front)	1
10	MD4401022	Pan head screw	4
11	PE1680200	Protector	1
12	PE6740300	DIP SW cover	1
13	PH1741300	Center frame	1
14	MD4401022	Pan head screw	3
15	PA3741500	PCB bracket (D)	2
16	MD4300622	Pan head screw	2
17	PH1741800	Center frame sub (A)	1
18	MD4300622	Pan head screw	2
19	PZ0740600	Cover (rear)	1
20	MD4300622	Pan head screw	6
21	MD4401022	Pan head screw	1
22	PH3683802	Lid	1
23	PT9520100	Nylon rivet	2
24	PH1741600	Cover (LH)	1
25	MD4300822	Pan head screw	2
26	PZ0740400	Cover (RH)	1
27	PT3681200	Hinge	2
28	MD4300822	Pan head screw	8
29	PH2680000	Window	1
30	NA1030022	Washer	2
31	MT1300522	Hex nut	2
32	PE1680300	Handle	1
33	MH0300821	P-tight screw	2
34	PH1741500	Cover (top)	1
35	MD4300822	Pan head screw	2
36	PH1741700	Cover (top sub)	1
37	PT9689000	Magnet	1
38	NA1030022	Washer	2
39	NB0030022	Wave washer	2
40	MT1300522	Hex nut	2

M8400RV

Base Cover Assembly			
Item #	Part Number	Part Description	Qty
41	NA1030022	Washer	2
42	NB0030022	Wave washer	2
43	MT1300522	Hex nut	2
44	PH3683002	Cover (front)	1
45	PH1741000	Cover front sub	1
46	NA1030022	Washer	2
47	NB0030022	Wave washer	2
48	MT1300522	Hex nut	2
49	MD4401022	Pan head screw	1
50	PB0740701	Shaft (unwind)	1
51	MD4301422	Pan head screw	1
52	MJ1400524	W-point screw	1
53	PB2680700	Spacer	2
54	PA2680100	Label guide plate	1
55	PE2680200	Spacer	1
56	PV3680000	Paper guide	1
57	MH0302021	P-tight screw	3
58	PE4080100	Paper guide	2
59	PT2016010	Dry metal	4
60	PE4210100	3 " core	1
61	MH0300821	P-tight screw	1
62	PT92100QY	O ring	1
63	ND3160024	C-snap ring	1
64	PB2080400	Roll stopper	1
65	PE4080200	Guide stopper	1
66	PA1210400	Spring	1
67	MH1300821	P-tight screw	2
68	KA500041A	Power supply unit	1
69	RH1740800	DC cable set (pow1)	1
73	NB2040022	Washer	1
74	MD4401022	Pan head screw	2
75	RH1686500	Inlet sub	1
76	HD100021A	Fuse	1
77	MD4401022	Pan head screw	1
78	NB2040022	Washer	1
79	MD4300822	Pan head screw	2
80	RH1684000	Power switch sub	1
81	PA1741300	Plate	1
82	RH1740700	LCD cable assy	1
83	MD4200621	Pan head screw	2

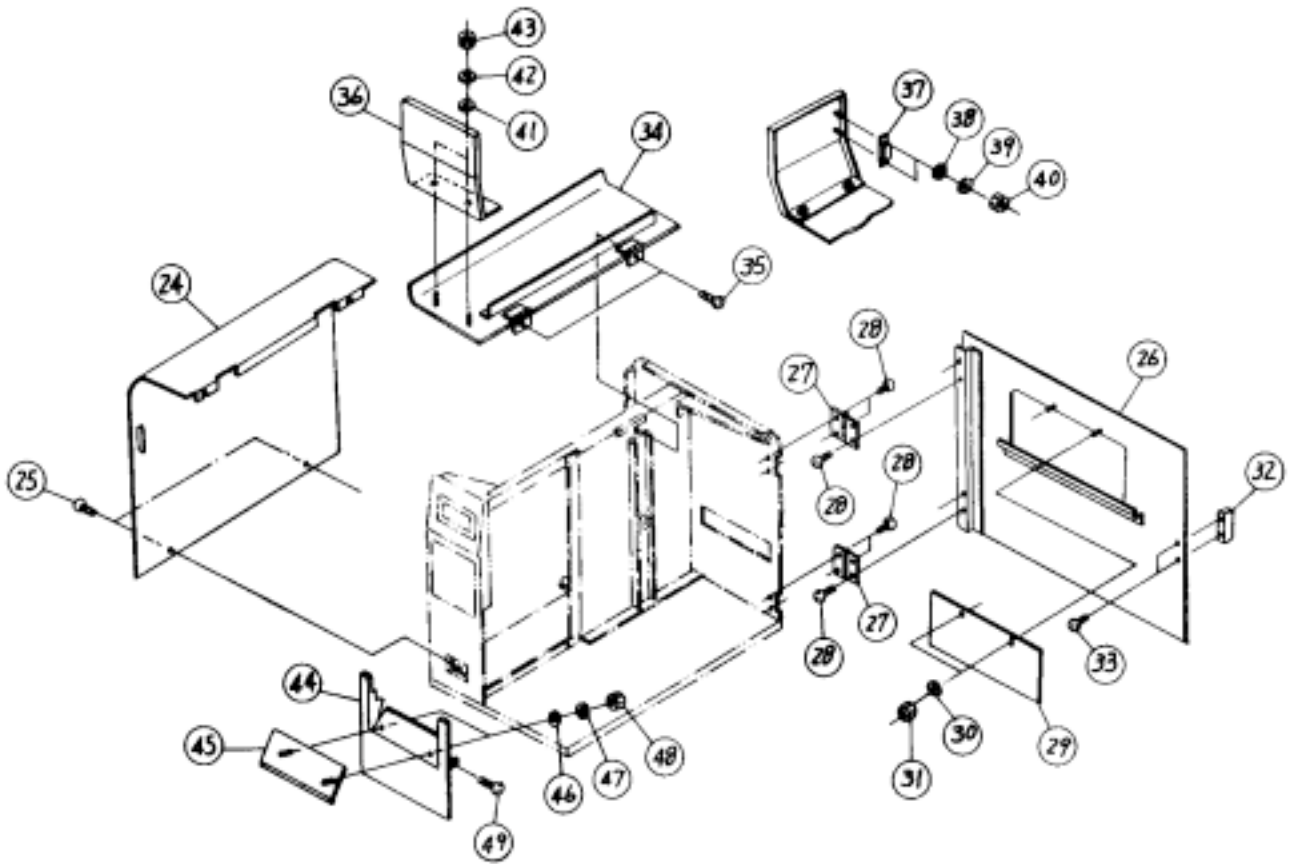
M8400RV

Base Cover Assembly			
Item #	Part Number	Part Description	Qty
84	RJ2740101	KB PCB assy	1
85	MD3300622	Pan head screw	2
86	RH1742000	KB cord set (KB)	1
87	RH1680600	EXT POW set	1
88	PA6685400	Nut plate	1
89	MD3201221	Pan head screw	2
91	PH1689302	Inlet bracket	1
92	MA1300822	Screw	1
93	PH1687600	Spacer	1
94	RH1742500	Plate	1
95	PA6681500	Plate	1
96	PV9680100	Bushing	1
97	MD4400822	Screw	1
98	PA6681601	Plate	1
99	PV9680200	Bushing	1



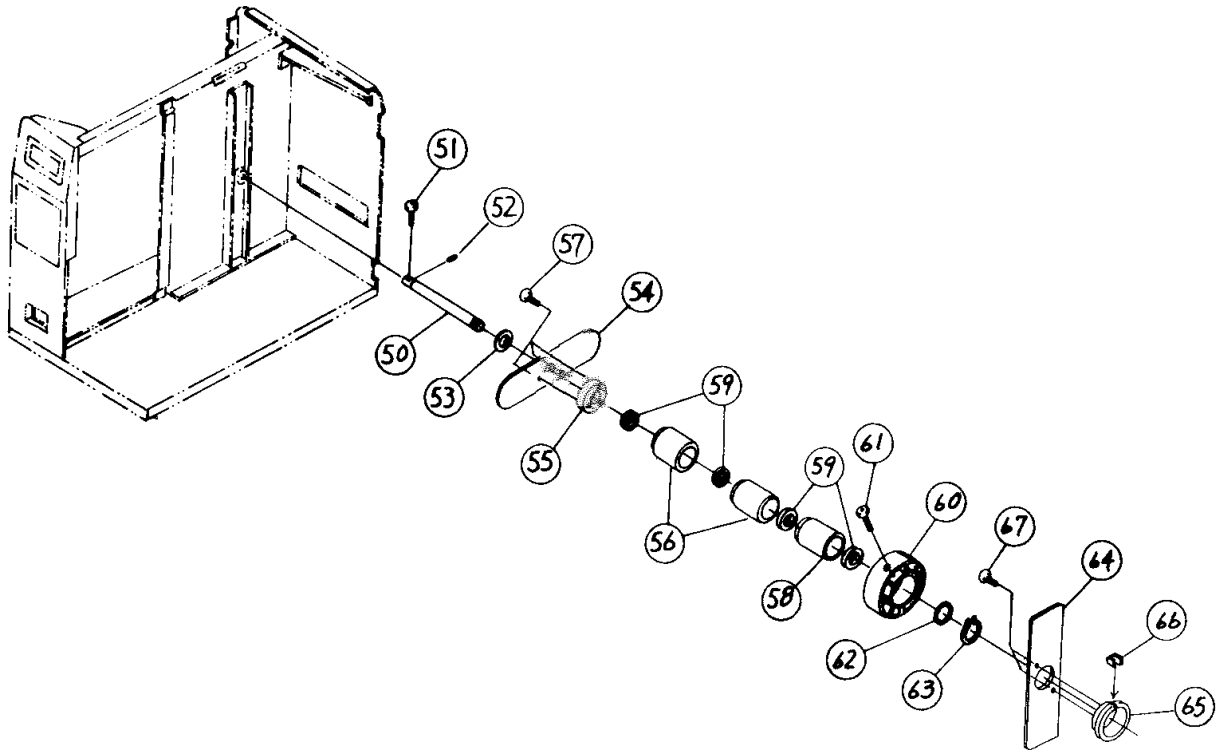
M8400RV

BASE COVER ASSEMBLY



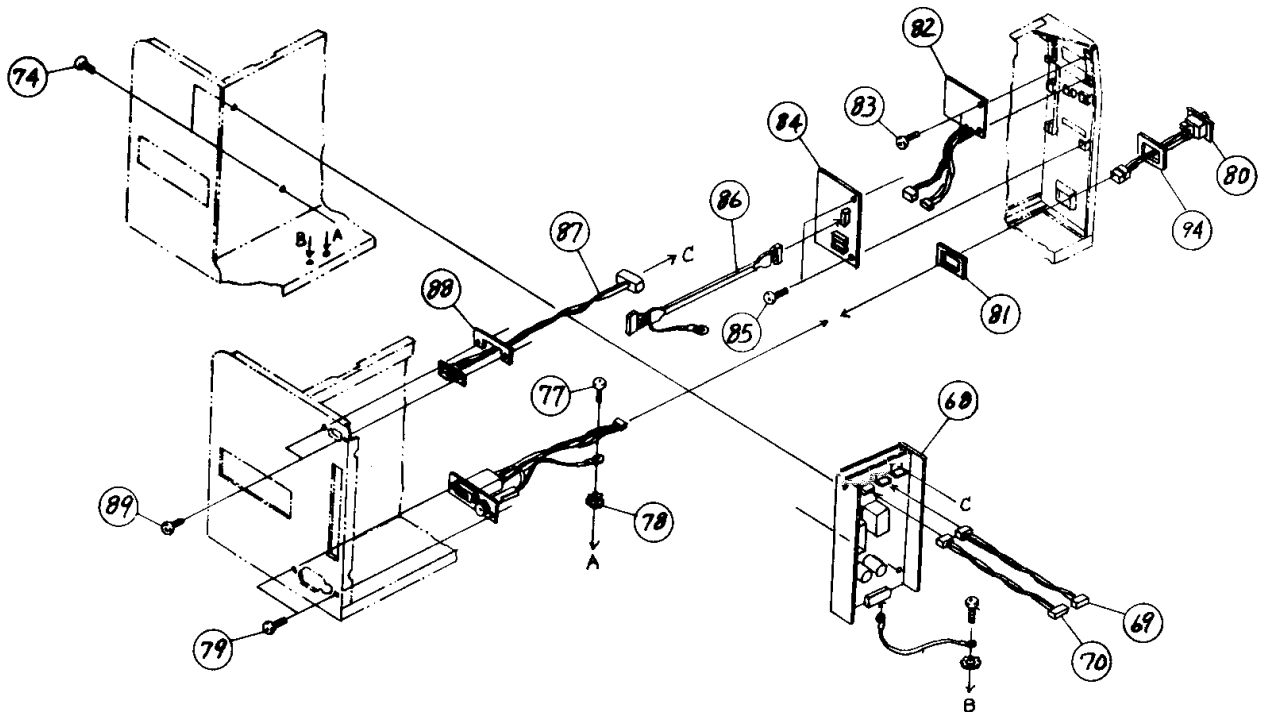
M8400RV

BASE COVER ASSEMBLY



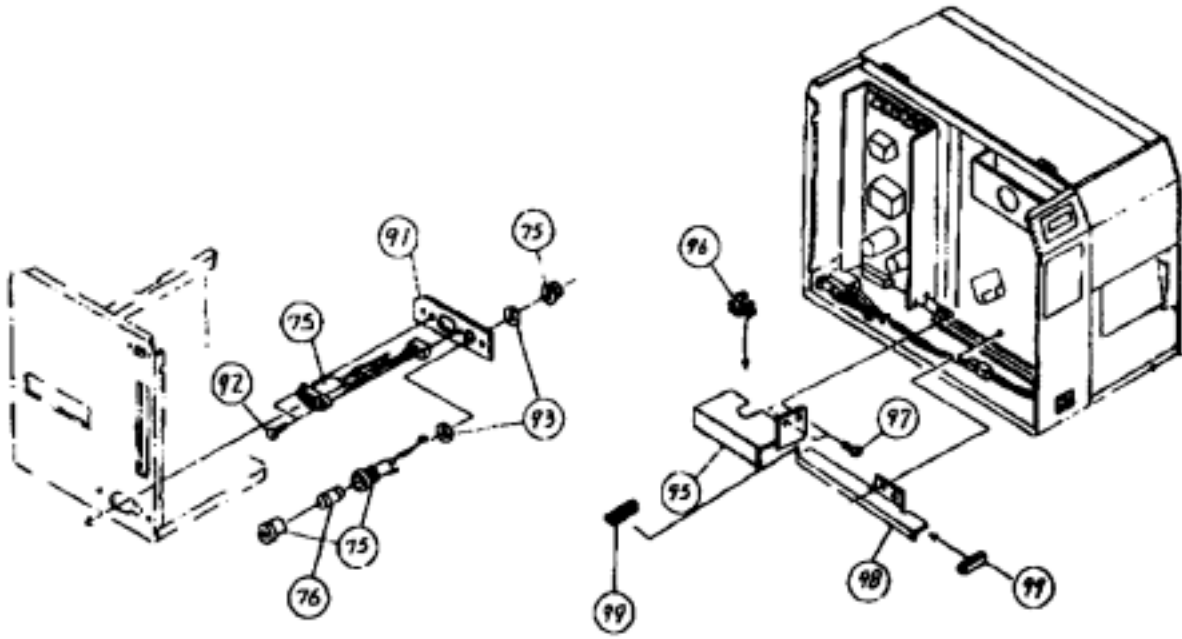
M8400RV

BASE COVER ASSEMBLY



M8400RV

BASE COVER ASSEMBLY



M8400RV

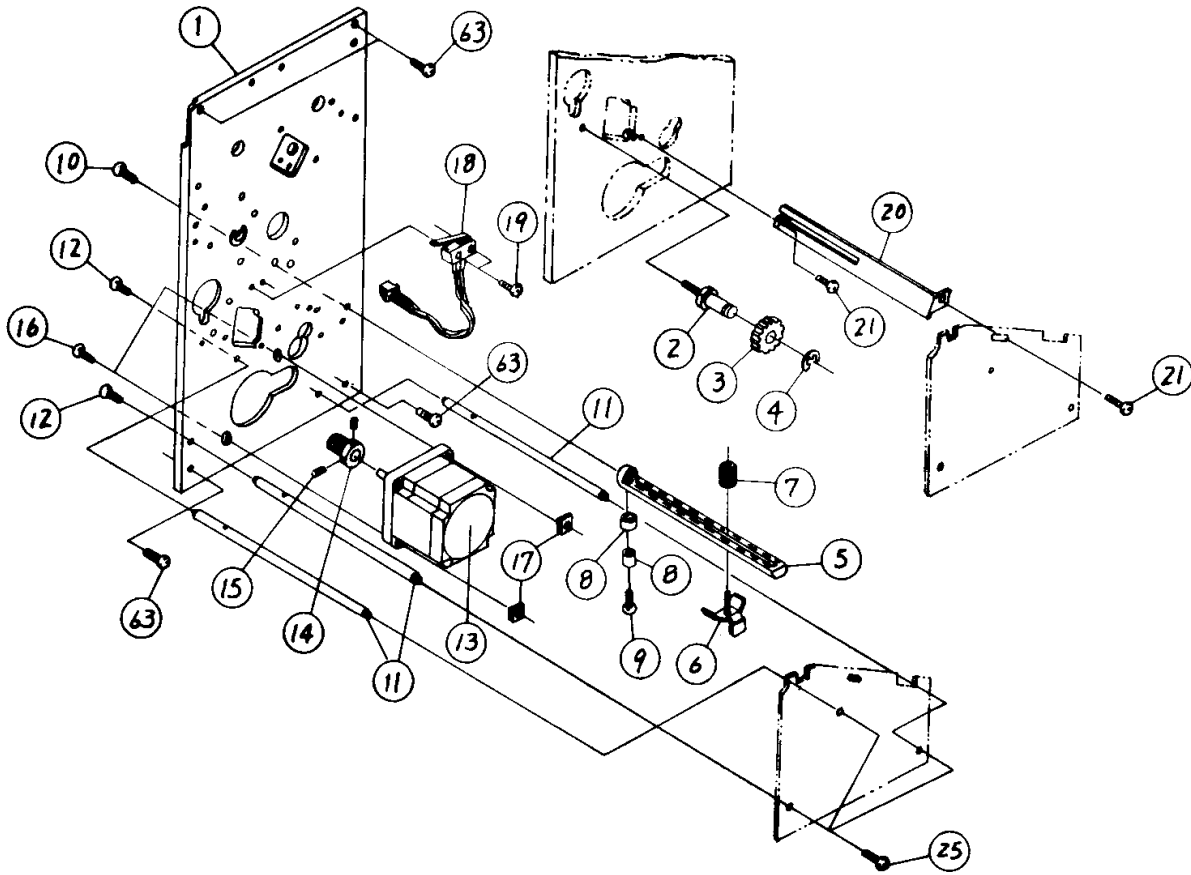
Frame Assembly			
Item #	Part Number	Part Description	Qty
1	PR1740104	Engine frame	1
2	PB0680000	Idle gear post	1
3	PR1680100	Idle gear	1
4	ND0040030	E-snap ring	1
5	PE5680000	Guide shaft	1
6	PR3740501	Slide guide	1
7	PB2680100	Knob	1
8	PE1010400	Guide roller (A)	2
9	MH0301621	P-tight screw	1
10	MH0302021	P-tight screw	1
11	PB0680400	Guide shaft	3
12	MD4401022	Pan head screw	3
13	RH1741400	Stepper Motor Assy	1
14	PL0680101	Motor pulley	1
15	MJ1300424	W-point screw	2
16	MD4402021	Pan head screw	2
17	PA1740100	Nut plate	2
18	RH1740500	Head open cable (SEN5)	1
19	MD3201221	Pan head screw	2
20	PA3740200	Sensor guide	1
21	MD4300822	Pan head screw	2
22	PT8130064	Timing belt	1
23	PT8090064	Timing belt	1
24	PA1740200	Side frame	1
25	MD4401022	Pan head screw	3
26	PR3740400	Paper guide	1
27	PE3720300	Roller	2
28	PB2740100	Collar	2
29	MD4301022	Pan head screw	2
30	RH1741300	Paper end SW set	1
31	MD3201221	Pan head screw	2
32	MD4300622	Pan head screw	2
33	MD4301022	Pan head screw	3
34	PB0740101	Post (latch)	1
35	NA1040022	Washer	1
36	NB0040022	Spring washer	1
37	MT1400722	Hex nut	1
38	PB0740202	Shaft (sensor)	1
39	PR7740200	Pitch sensor assy	1

M8400RV

Frame Assembly			
Item #	Part Number	Part Description	Qty
40	PA4740300	Plate spring	1
41	MH0300821	P-tight screw	2
42	ND0040030	E-snap ring	2
43	PA1740300	Sensor bracket	1
44	ND0030030	E-snap ring	1
45	MD4300822	Pan head screw	2
46	PB0740800	Post (tension roller)	1
47	MD4401621	Pan head screw	1
48	PA3741800	Tension bracket	1
49	PE3720100	Tension roller	1
50	PB0740900	Shaft (tension roller)	1
51	ND0040030	E-snap ring	3
52	PC0740100	Spring (tension)	1
53	MD4301422	Pan head screw	1
54	MT1300522	Hex nut	1
55	PR7740300	Feed roller sub	1
56	MD4300822	Pan head screw	1
57	PR7740102	Platen roller assy	1
58	MD4300822	Pan head screw	1
59	PA1741000	Adjust plate	1
60	MD4401022	Pan head screw	2
61	PA1681000	Spacer	1
62	MD4300622	Pan head screw	1
63	MD4301422	Pan head screw	4
64	MD4401022	Pan head screw	2

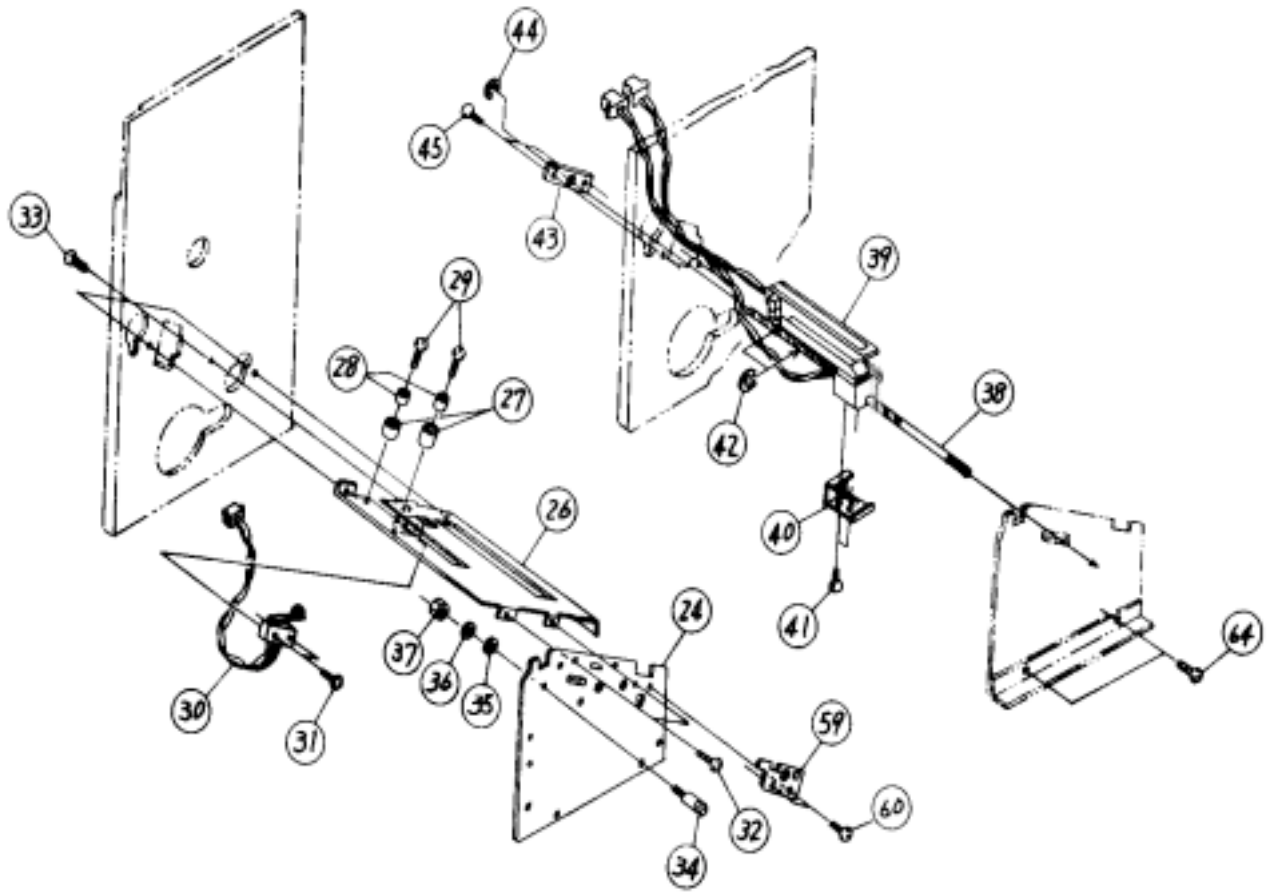
M8400RV

FRAME ASSEMBLY



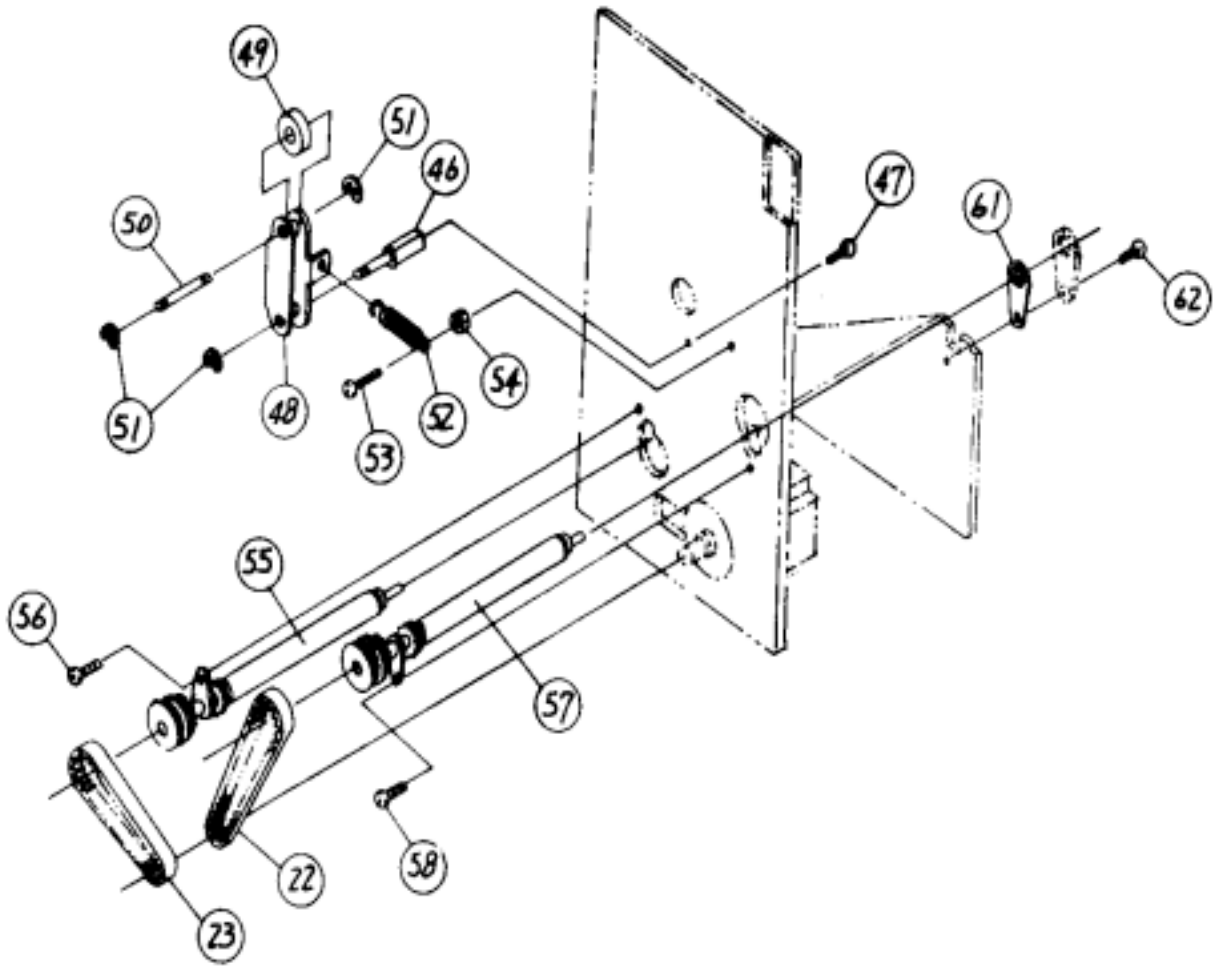
M8400RV

FRAME ASSEMBLY



M8400RV

FRAME ASSEMBLY

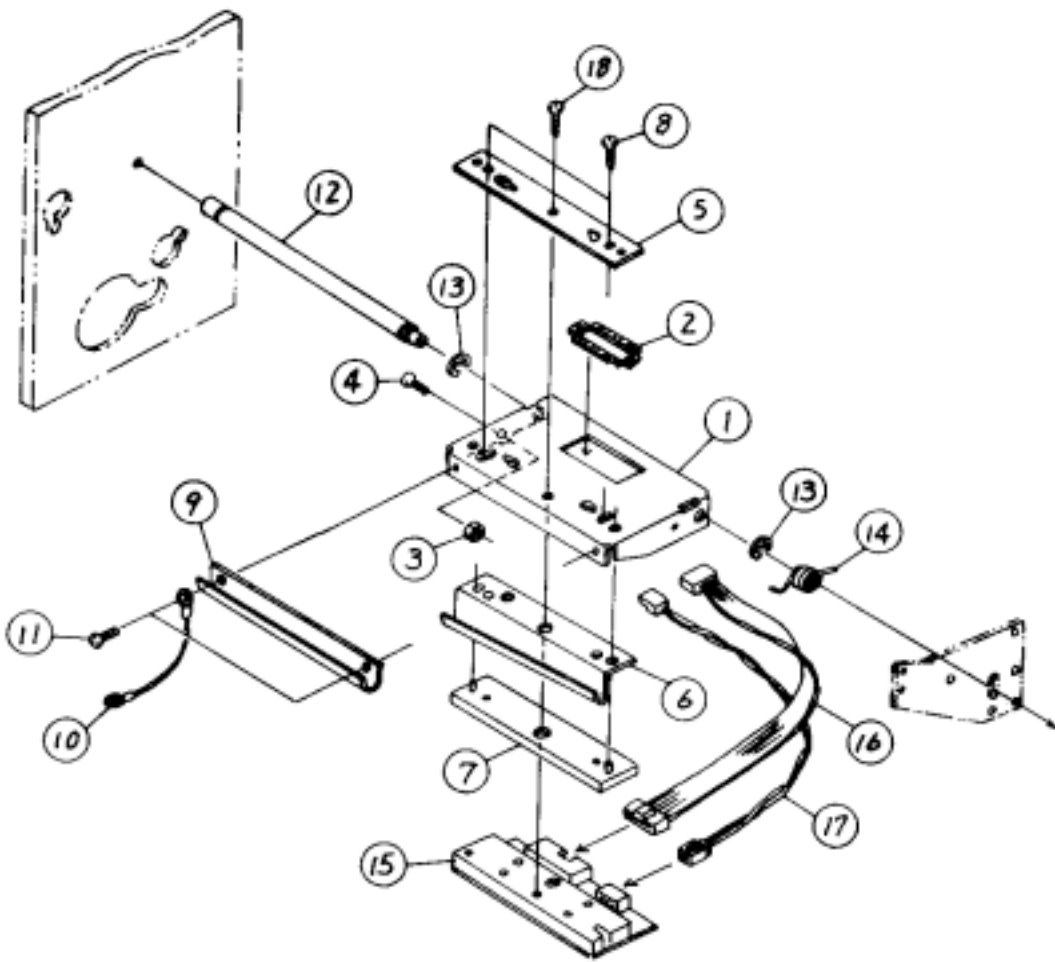


M8400RV

Thermal Head Assembly			
Item #	Part Number	Part Description	Qty
1	PA3740402	Head bracket	1
2	PV9740300	Bushing	1
3	MT1300522	Hex nut	1
4	MA0300821	Pan head screw	1
5	PA1740401	Adjust plate	1
6	PR4740402	Plate (ribbon)	1
7	PR1740300	Head sub holder	1
8	MD4300822	Pan head screw	2
9	PA3740504	Plate (ribbon adjust)	1
10	RH1741800	Ground Wire Assy	1
11	MA0300622	Pan head screw	2
12	PB0740300	Shaft (head)	1
13	ND0060030	E-snap ring	2
14	PC2740101	Spring (open)	1
15	GH000551A	Printhead Assy	1
16	RH1741700	Head cable set (HDS)	1
17	RH1740101	Head cable set (HDP)	1
18	MD4301422	Pan head screw	1
19	PB0740401	Shaft (head pressure)	2
20	PE1740100	Head pressure bracket	2
21	PA0740100	Pressure plate	2
22	PC1740200	Spring (head)	2
23	PE1740200	Head pressure pin	4
24	ND0060030	E-snap ring	1
25	PA3740600	Adjust plate	1
26	MD4301422	Pan head screw	1
27	PA1740500	Side frame	1
28	MD4300622	Pan head screw	1
29	PR2740100	Latch handle	1
30	PD1740100	Stay	1
31	MD4401621	Pan head screw	2
32	PT9740300	Slider	2
33	PB0680400	Guide shaft	2
34	PR1740400	Roller	2
35	PB0740500	Shaft (brush)	1
36	PR1340500	Antistatic brush	1
37	MA0300622	Pan head screw	2
38	MD4401022	Pan head screw	8

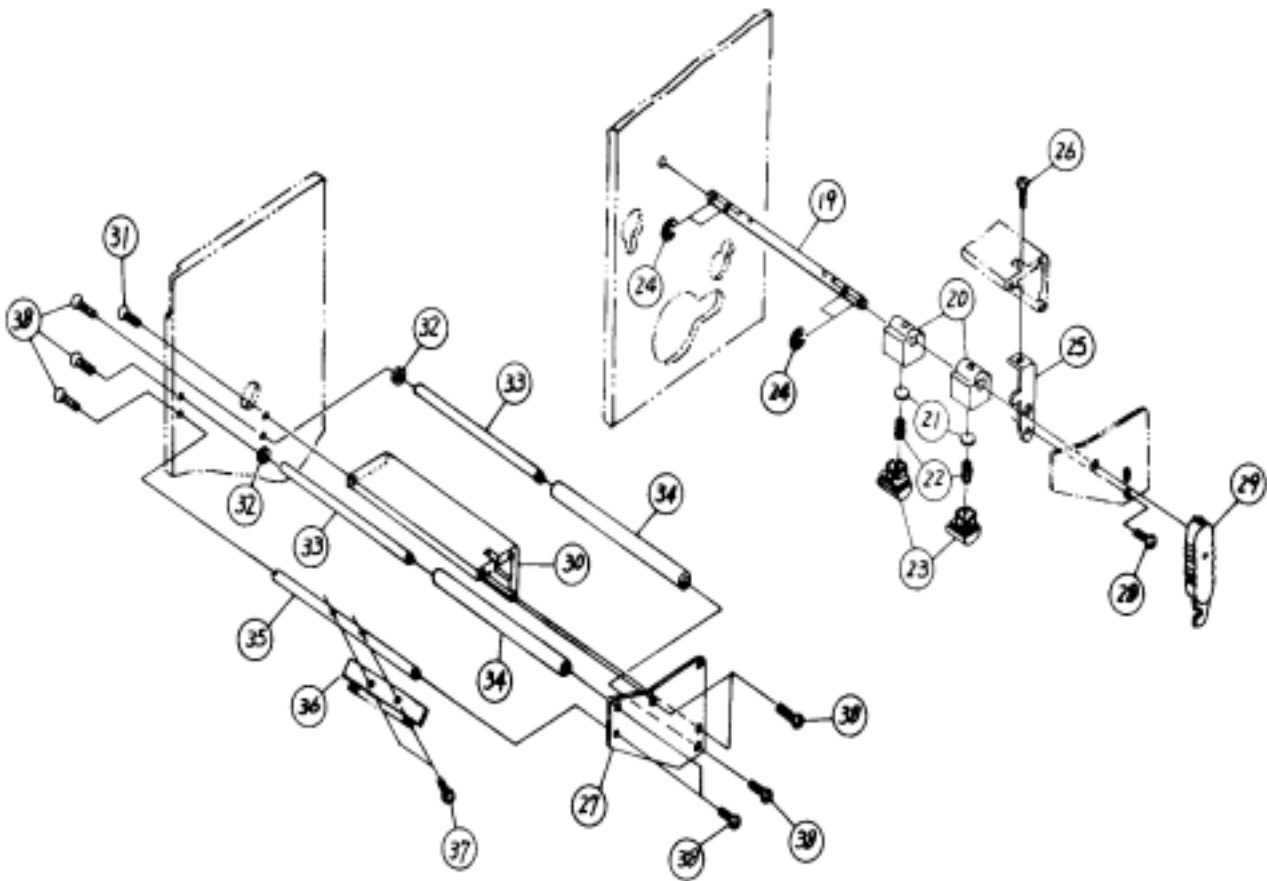
M8400RV

THERMAL HEAD ASSEMBLY



M8400RV

THERMAL HEAD ASSEMBLY

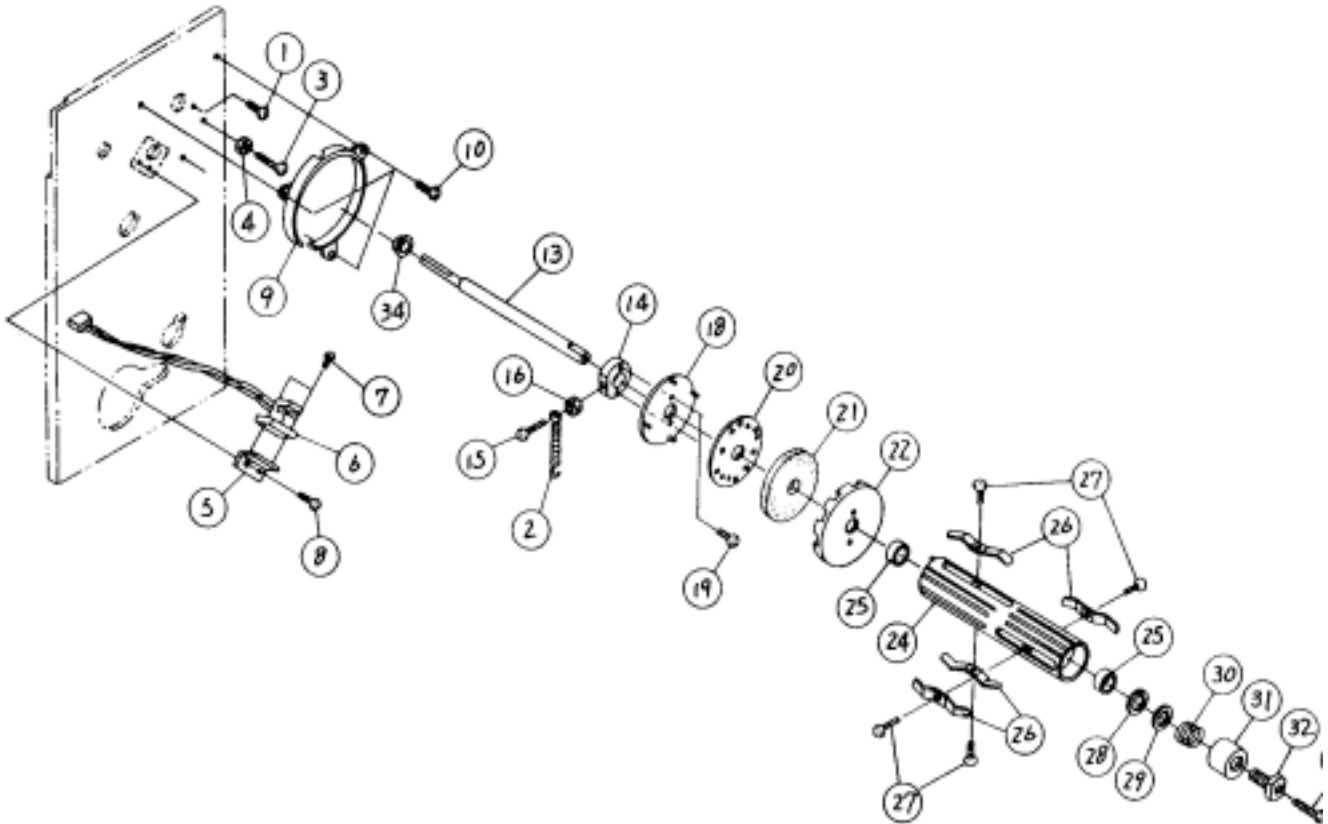


M8400RV

Ribbon Assembly			
Item #	Part Number	Part Description	Qty
1	MD4300622	Pan head screw	1
2	PC0740200	Spring (back)	1
3	MA1300822	Flat head screw	1
4	MT1300522	Hex nut	1
5	PA3730200	Sensor bracket (ribbon)	1
6	RH1740400	Ribbon sensor cable	1
7	MA0300622	Pan head screw	2
8	MA0300622	Pan head screw	1
9	PE6720100	Disk plate cover	1
10	MD4300822	Pan head screw	3
11	PR4740100	Spring (tension)	1
12	MD4300622	Pan head screw	2
13	PB0740602	Shaft (ribbon)	2
14	PE4720200	Plate holder boss	2
15	MA0302522	Pan head screw	1
16	MT1300522	Hex nut	1
17	MA0301821	Pan head screw	1
18	PA0730100	Guide plate	2
19	MH1250621	P-tight screw	4
20	PA0730200	Hold plate	2
21	PA0680300	Lining	2
22	PE7720100	Disk plate (A)	1
23	PE1681100	Guide plate (B)	1
24	PE4730100	Ribbon boss	2
25	PE2720100	Collar	4
26	PA4690900	Spring	8
27	MH0300521	P-tight screw	8
28	PT2301020	Dry metal washer	2
29	PA0680400	Disk	2
30	PC1730100	Spring	2
31	PE2730100	Collar	2
32	PB5730100	Adjust screw	2
33	MA0302522	Pan head screw	2
34	PT1112080	Supporter	2
35	PR1720400	Pulley	1
36	PT8165064	Timing belt	1
37	ND0060030	E-snap ring	2
38	PA3740900	Ribbon frame	1
39	PA1731000	Adjust plate	2
40	PT1112080	Supporter	2

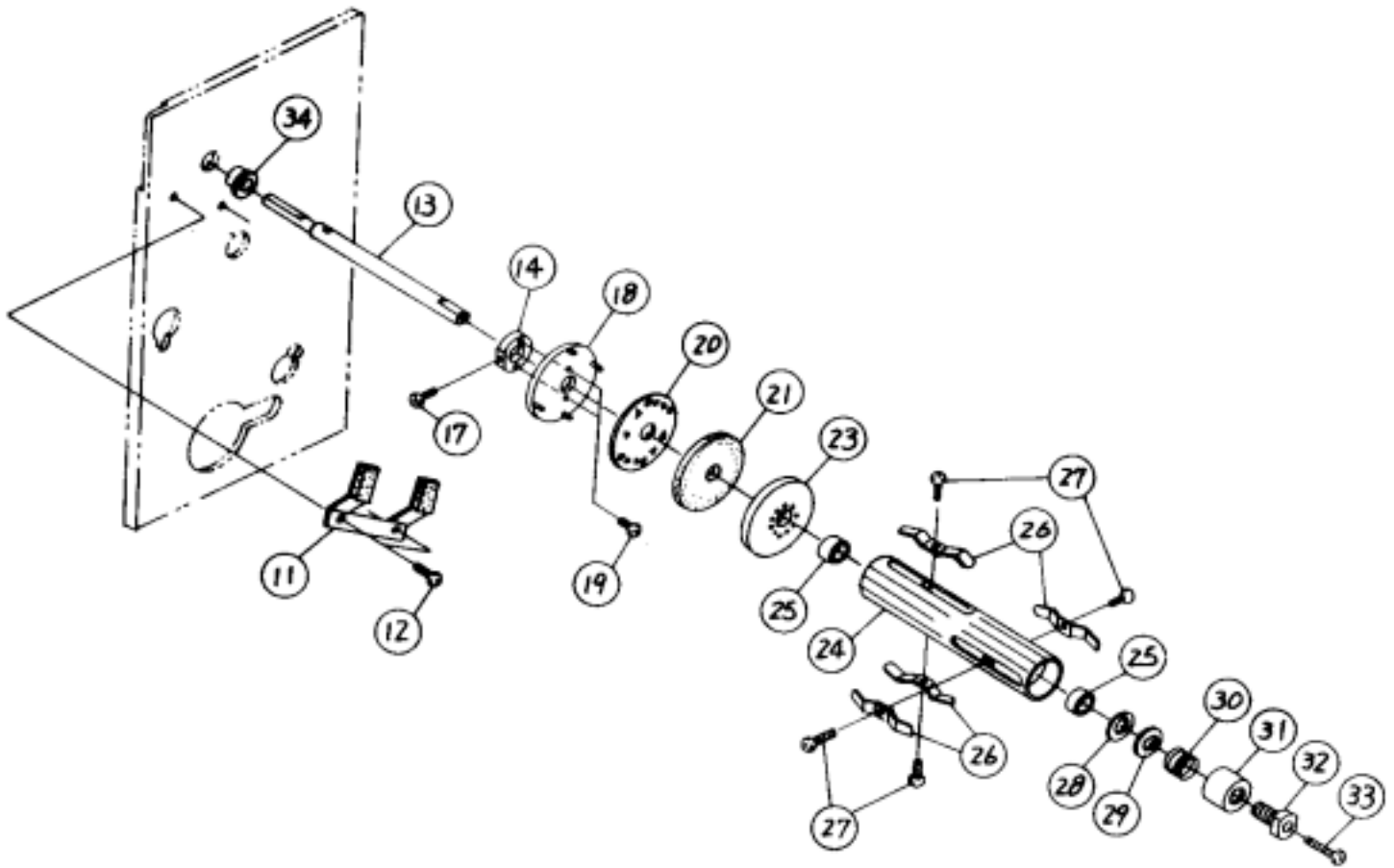
M8400RV

Ribbon Assembly			
Item #	Part Number	Part Description	Qty
41	MD4300622	Pan head screw	4
42	MD4401222	Pan head screw	4
43	MD4401022	Pan head screw	2



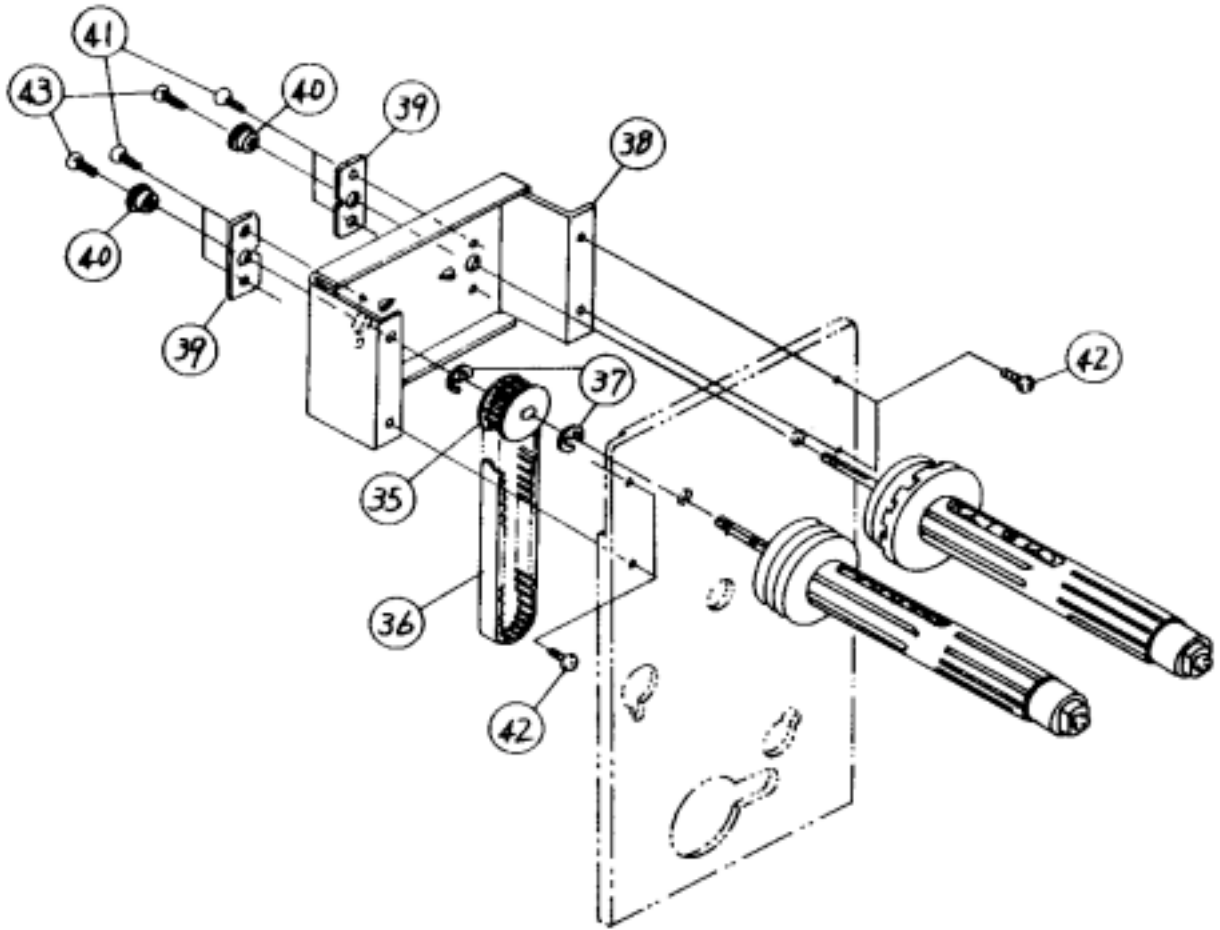
M8400RV

RIBBON ASSEMBLY



M8400RV

RIBBON ASSEMBLY

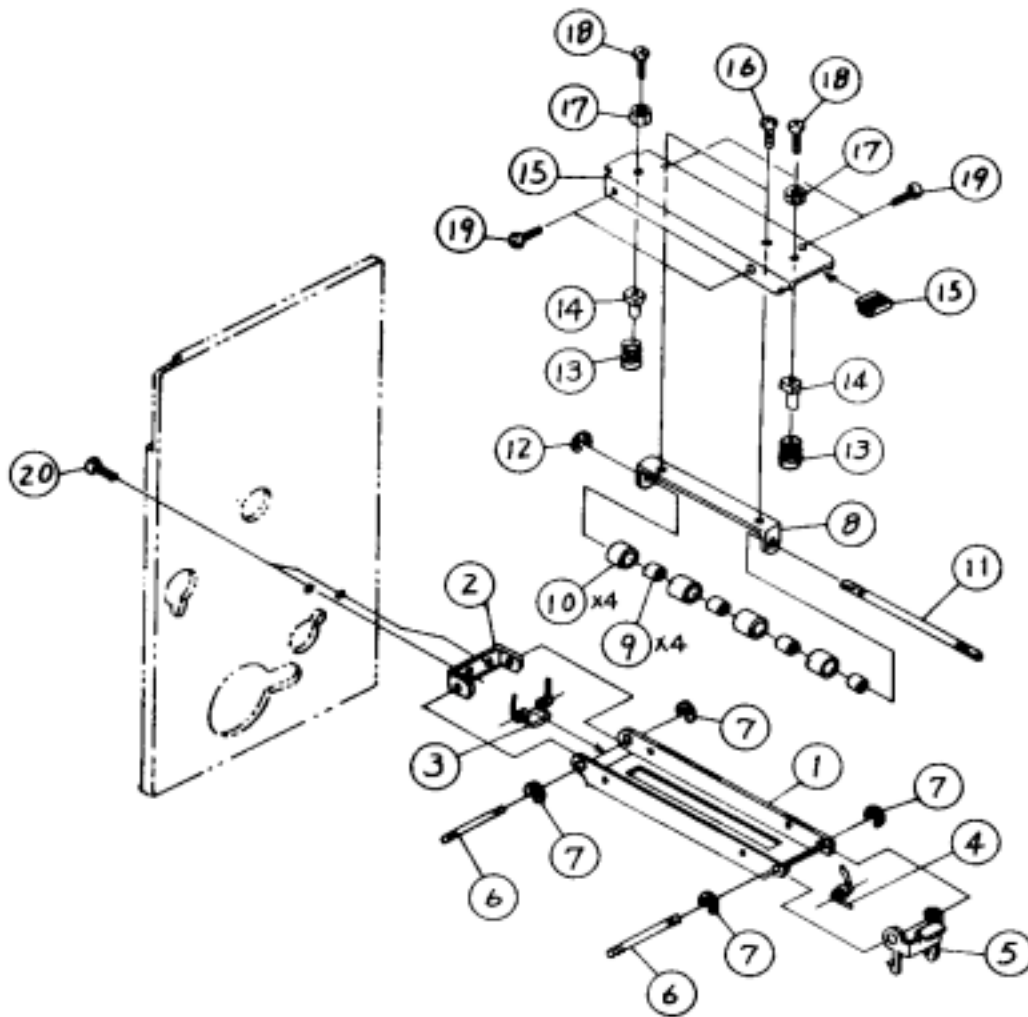


M8400RV

Feed Roller Assembly			
Item #	Part Number	Part Description	Qty
1	PA3742201	Paper lid	1
2	PA3742001	Lid bracket	1
3	PC2740200	Spring (open)	1
4	PC2740300	Spring (latch)	1
5	PA3742100	Latch handle	1
6	PB0741100	Shaft (lid)	2
7	ND0020030	E-snap ring	4
8	PA3741900	Roller bracket	1
9	PE3720500	Roller	4
10	PE3720200	Roller	4
11	PB0741000	Shaft (pressure roller)	1
12	ND0040030	E-snap ring	1
13	PC1740401	Pressure spring	2
14	PE2730300	Collar	2
15	PR4740300	Paper lid (top)	1
16	MD4300622	Pan head screw	2
17	MT1300522	Hex nut	2
18	MA0301022	Pan head screw	2
19	MD4300622	Pan head screw	4
20	MD4301022	Pan head screw	2

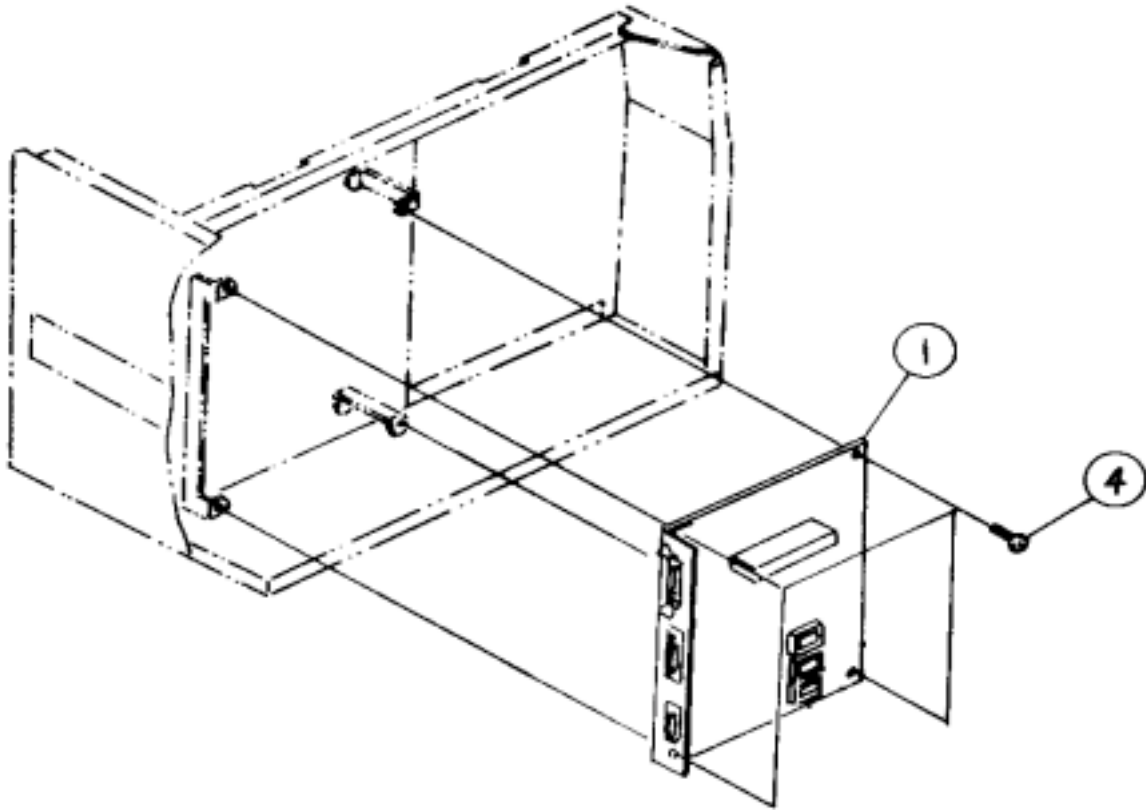
M8400RV

FEED ROLLER ASSEMBLY



M8400RV

Cont. PCB Assembly			
Item #	Part Number	Part Description	Qty
1	RJ1741100	Cont. PCB sub 115V	1
4	MD4300622	Pan head screw	4



M8400RV

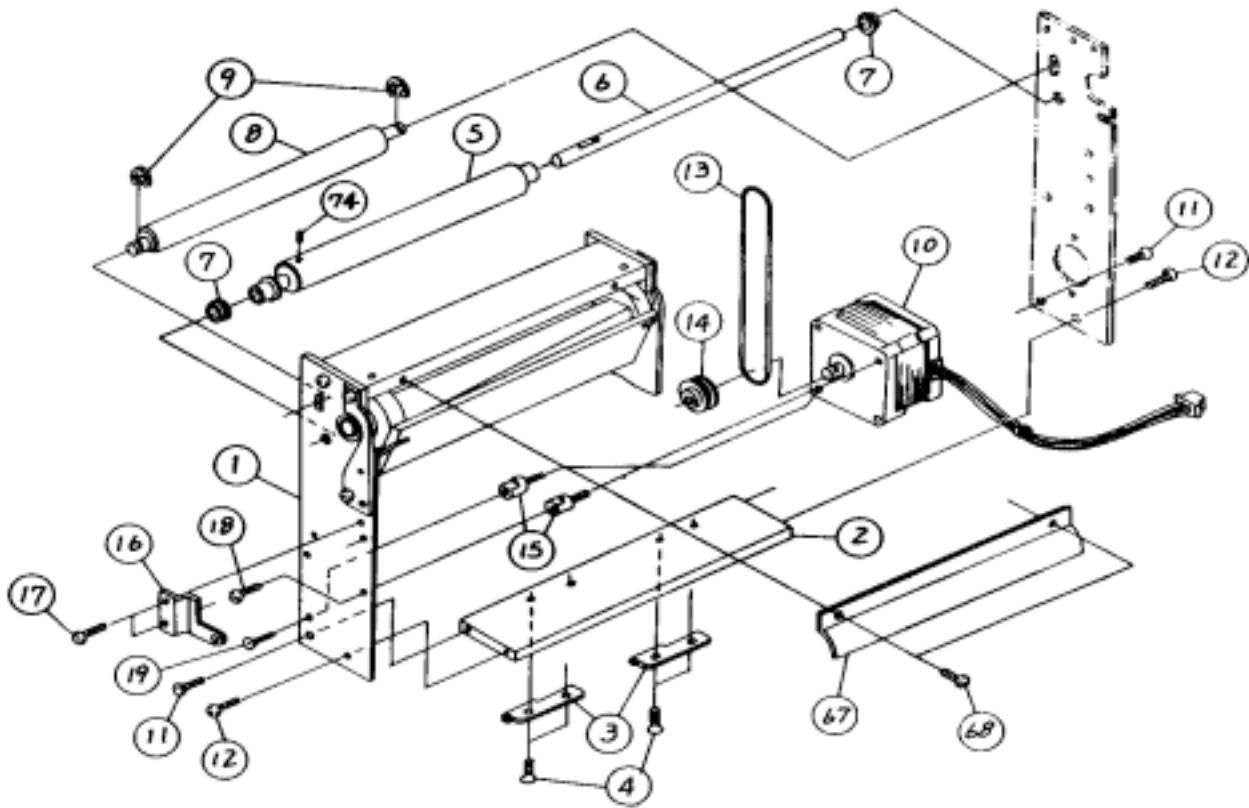
Cutter Unit Option			
Item #	Part Number	Part Description	Qty
1	PR4680600	Cutter set	1
2	PD1680301	Stay	1
3	PT3000100	Hinge	2
4	MA1300822	Flat head screw	4
5	PB3680700	Feed roller	1
6	PB0682500	Feed roller shaft	1
7	PT1108050	Supporter	2
8	PB3680200	Roller	1
9	ND0030030	E-snap ring	2
10	RB0680300	Motor sub	1
11	MA1400822	Flat head screw	2
12	MD4401022	Pan head screw	2
13	PT9680300	Round belt	1
14	PE8680400	Motor pulley	1
15	PB0682600	Motor post	2
16	PA3684600	Cutter bracket	1
17	MD4300622	Pan head screw	2
18	MD4300822	Pan head screw	1
19	MA1300822	Flat head screw	1
20	MJ1300424	W-point screw	2
21	PR1691401	Cutter pulley	1
22	PE3690701	Spacer (slit)	1
23	PA0680701	Sensor slit	1
24	MT1300522	Hex nut	1
25	NB0030022	Spring washer	1
26	NA1030022	Washer	1
27	MD4300822	Pan head screw	2
28	PA1690000	Idle gear bracket	1
29	PB0690300	Roller shaft	1
30	PE3690001	Tension roller	1
31	PT2006008	Dry metal	1
32	ND0050030	E-snap ring	1
33	PT2005008	Dry metal	1
34	PB0686500	Idle bracket shaft (B)	1
35	PT9690600	Timing belt	2
36	PT1107030	Supporter	2
37	PB0682400	Idle bracket shaft	1
38	PR1691501	Idle pulley	1
39	MJ1300424	W-point screw	2
40	PB0682300	Idle pulley shaft	1

M8400RV

Cutter Unit Option			
Item #	Part Number	Part Description	Qty
41	MD3301222	Pan head screw	2
42	RF0680501	Sensor sub	1
43	PE2680600	Spacer (sensor)	2
44	PR1691601	Motor pulley	1
45	MJ1300424	W-point screw	2
46	PA3681400	Guide plate	1
47	MD4300822	Pan head screw	2
48	MA1300822	Flat head screw	2
49	RB0680200	DC motor assy	1
50	MD4300822	Pan head screw	2
51	RJ1682300	Cutter PCB assy	1
52	HD200031A	Fuse	1
53	PE2680900	Spacer	2
54	RH1741102	Cutter cord set	1
55	NA1030022	Washer	2
56	NB0030022	Spring washer	2
57	MT1300522	Hex nut	2
58	MA1300822	Flat head screw	2
59	PH3684103	Cutter cover	1
60	MA1300822	Flat head screw	2
61	MD4300622	Pan head screw	2
62	PA3684700	Brush bracket	1
63	PR1340500	Antistatic brush	1
64	MT1250422	Hex nut	2
65	MA1250621	Flat head screw	2
66	MD0300622	Pan head screw	2
67	PA3683600	Cutter protect	1
68	MD4300822	Pan head screw	2
69	PH3684202	Center frame sub (B)	1
70	MD4300622	Pan head screw	1
71	PT3000100	Hinge	2
72	MD4300822	Pan head screw	4
74	MJ1300424	W-point screw	1

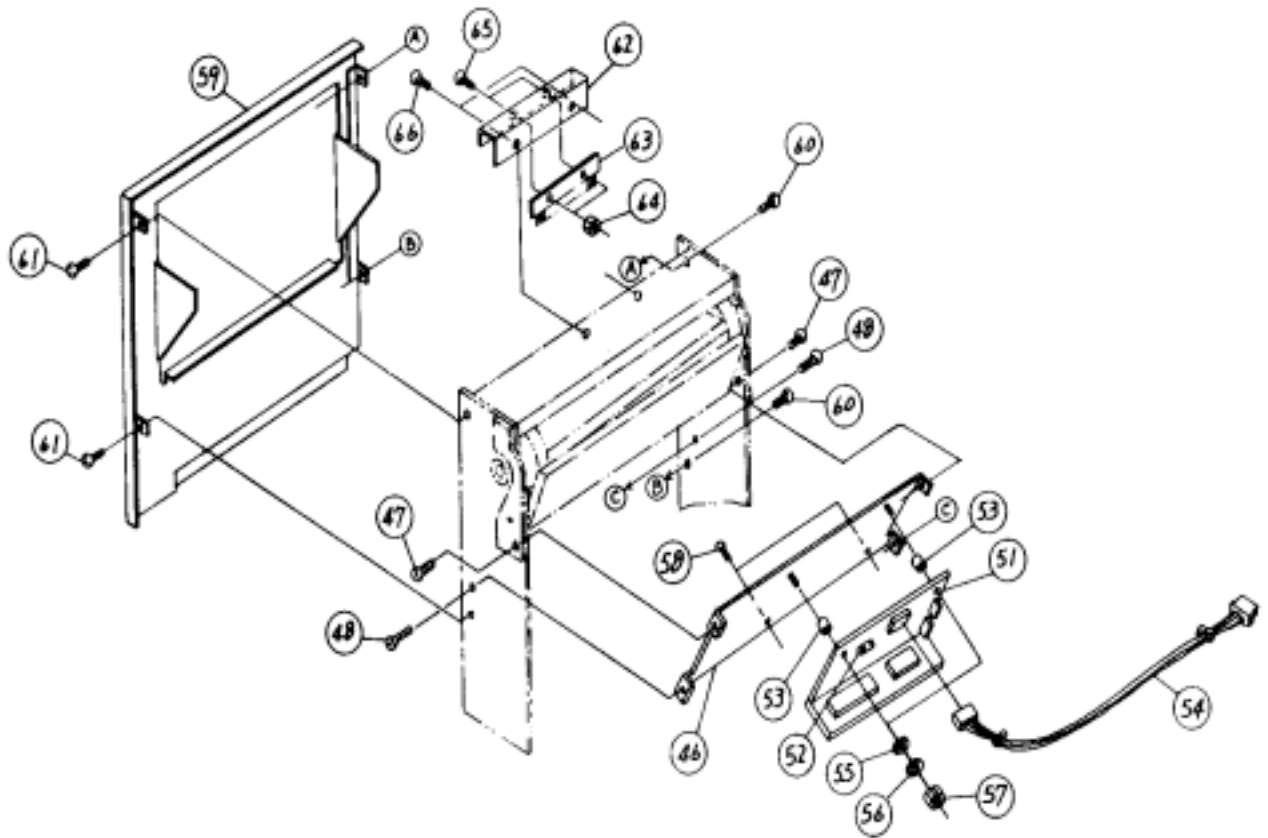
M8400RV

CUTTER UNIT OPTION



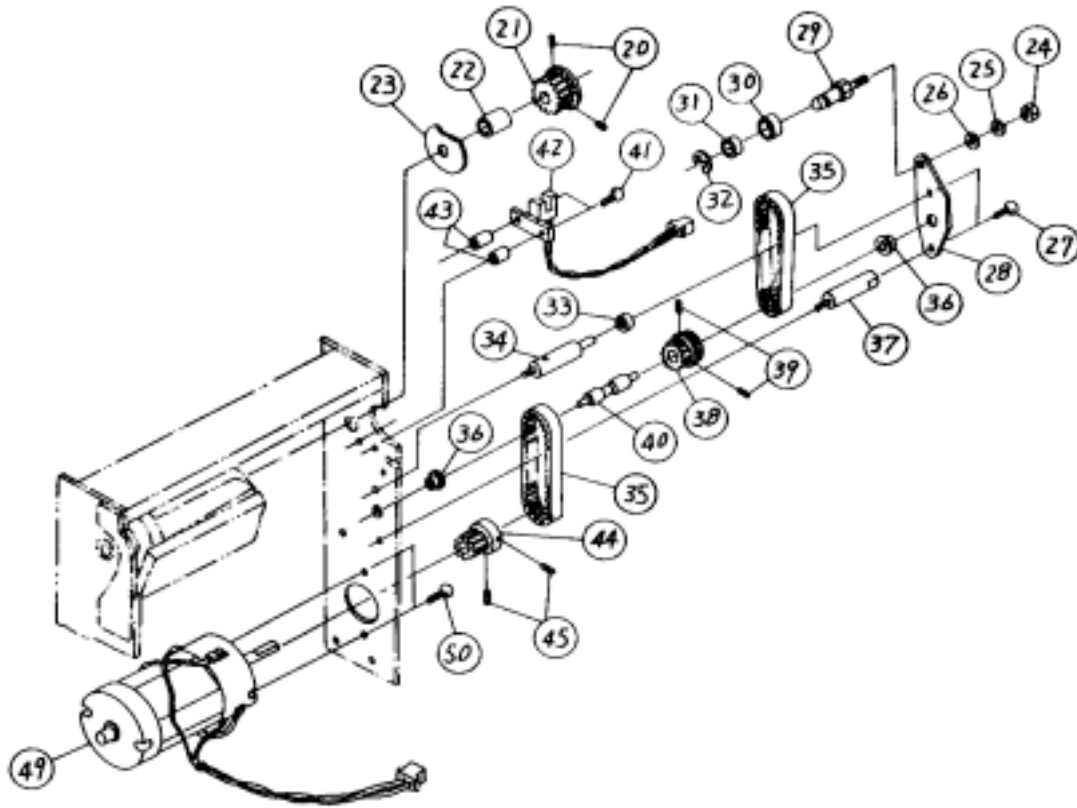
M8400RV

CUTTER UNIT OPTION



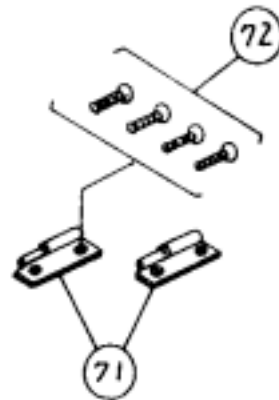
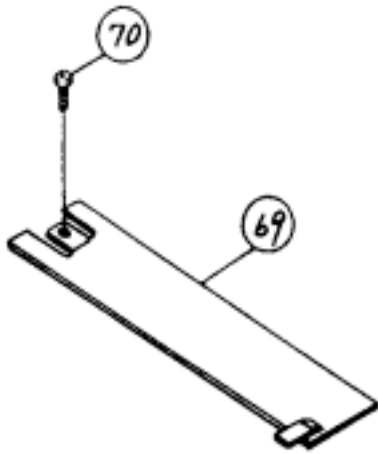
M8400RV

CUTTER UNIT OPTION



M8400RV

CUTTER UNIT OPTION

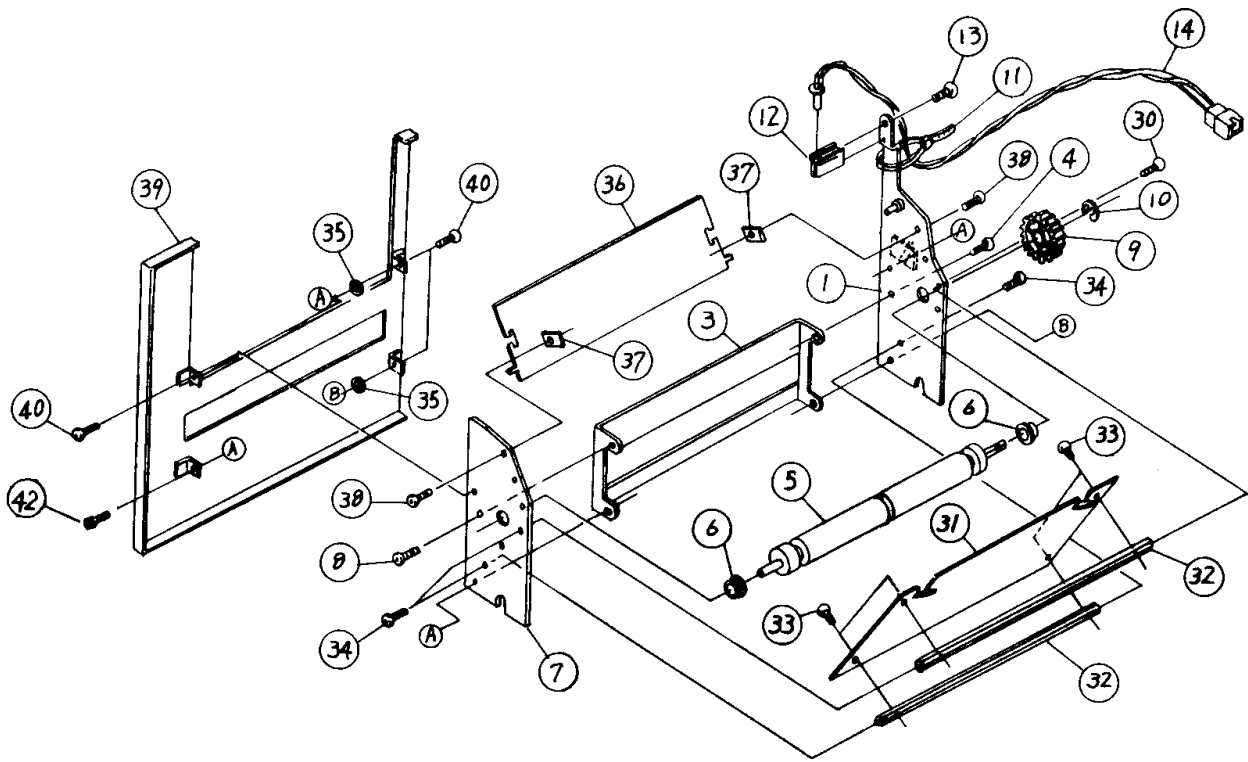


M8400RV

Dispenser Unit Option			
Item #	Part Number	Part Description	Qty
1	PR1680500	Frame (L)	1
3	PA3685100	Cutter bracket	1
4	MD0300622	Pan head screw	1
5	PR0681900	Feed roller	1
6	PE2680400	Bushing	2
7	PR1681800	Frame (R)	1
8	MD0300622	Pan head screw	1
9	PE6680300	Feed roller gear	1
10	ND0040030	E-snap ring	1
11	JG100011A	Tie wrap	1
12	PE1570300	Dispense Sensor bracket	1
13	MH0250621	P-tight screw	1
14	RH1681100	Dispense cord (A)	1
15	PA3685000	Dispense roller bracket	1
16	PE1010201	Dispense roller	4
17	PV0681100	Dispense roller	1
18	PB0685300	Dispense shaft	1
19	ND0020030	E-snap ring	1
20	PC2680102	Torque spring (R)	1
21	PC2680101	Torque spring (L)	1
22	PB3680101	Pressure roller	1
23	PT2005006	Dry metal	2
24	PB0682201	Pressure roller shaft	1
25	PE1570300	Dispense sensor bracket	1
26	MH0250621	P-tight screw	1
27	PB2681701	Spacer (B)	1
28	PA0680601	Spacer (A)	1
29	PB0682000	Guide shaft	1
30	MD0300622	Pan head screw	1
31	PA3684900	Paper guide	1
32	PB1680100	Stay	2
33	MA1250621	Flat head screw	4
34	MA1300622	Flat head screw	3
35	PA0681300	Spacer	2
36	PA2681900	Dispense plate	1
37	PA1680400	Nut plate	2
38	MA1300622	Flat head screw	2
39	PH3684302	Dispense cover	1
40	MD0300622	Pan head screw	4
42	MD4300622	Pan head screw	1

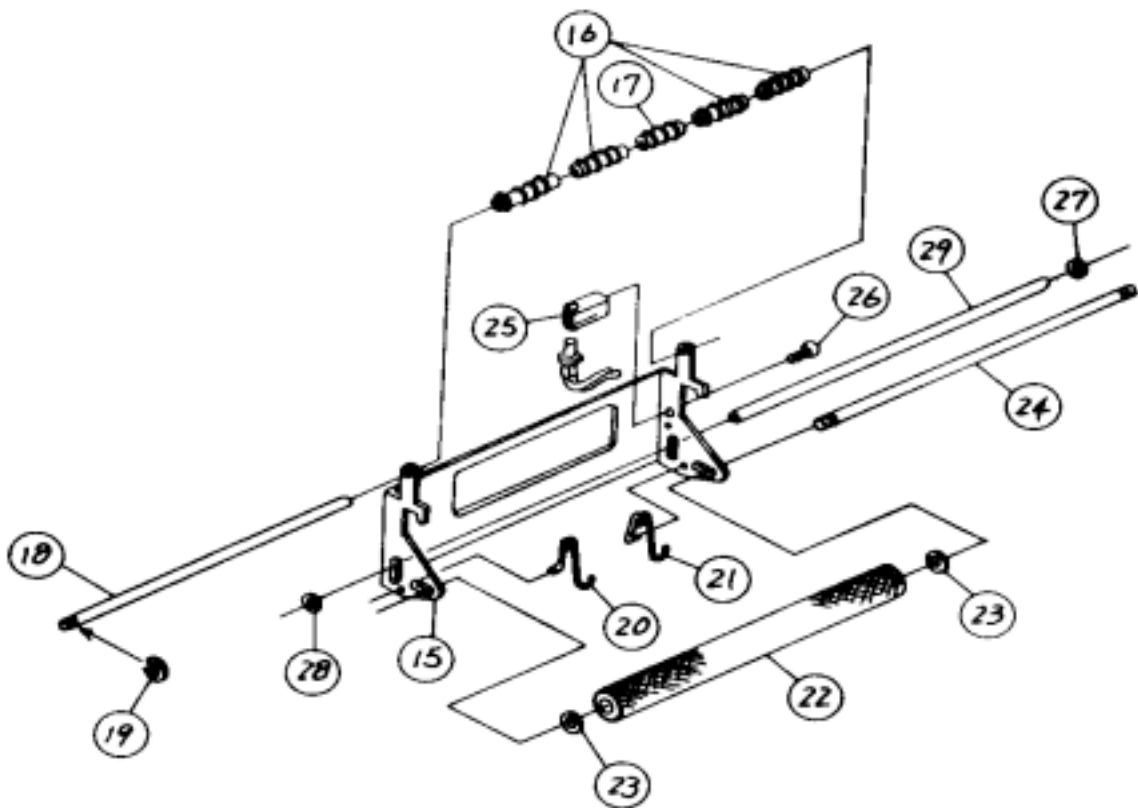
M8400RV

DISPENSER UNIT OPTION



M8400RV

DISPENSER UNIT OPTION



M8400RV

Memory Upgrade Option			
Item #	Part Number	Part Description	Qty
1	PA3742600	PCB bracket (KA)	1
2	PA3742700	PCB bracket (KB)	1
3	PA3742800	PCB bracket (KC)	1
4	PJ7740100	Memory PCBA	1
5	MH4300821	S-tight screw	9
6	JG100011A	Tie wrap	1

