



M-8400R_{Ve} Printer

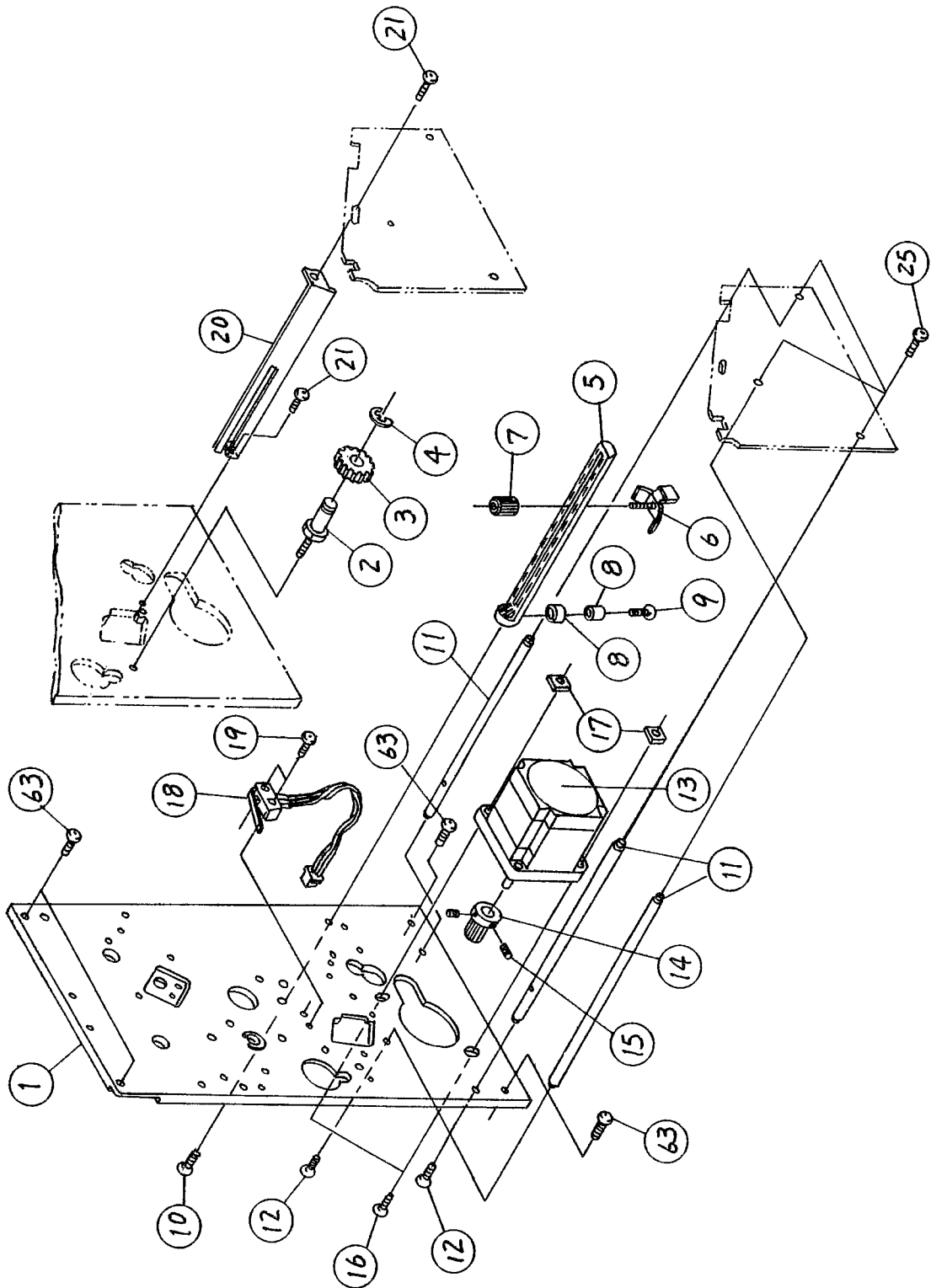


Parts List

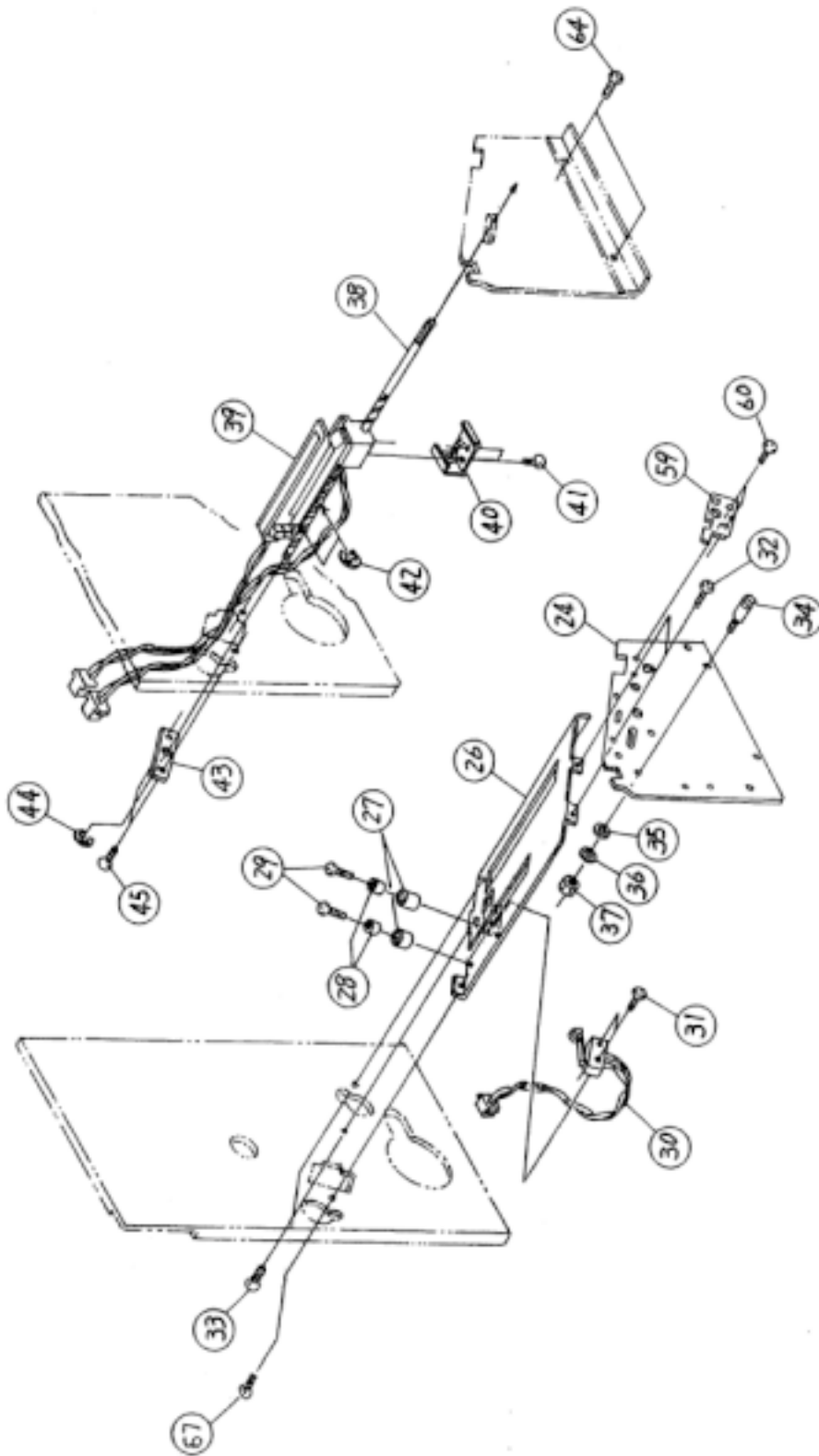
Table of Contents

<i>M-8400RVe Parts List</i>	<i>Page</i>
<i>Frame Assembly.....</i>	<i>3</i>
<i>Head Assembly.....</i>	<i>8</i>
<i>Ribbon Assembly.....</i>	<i>11</i>
<i>Feed Roller Assembly.....</i>	<i>16</i>
<i>Base Cover Assembly.....</i>	<i>18</i>
<i>Cutter Unit Assembly.....</i>	<i>27</i>
<i>Dispenser Unit Assembly.....</i>	<i>33</i>

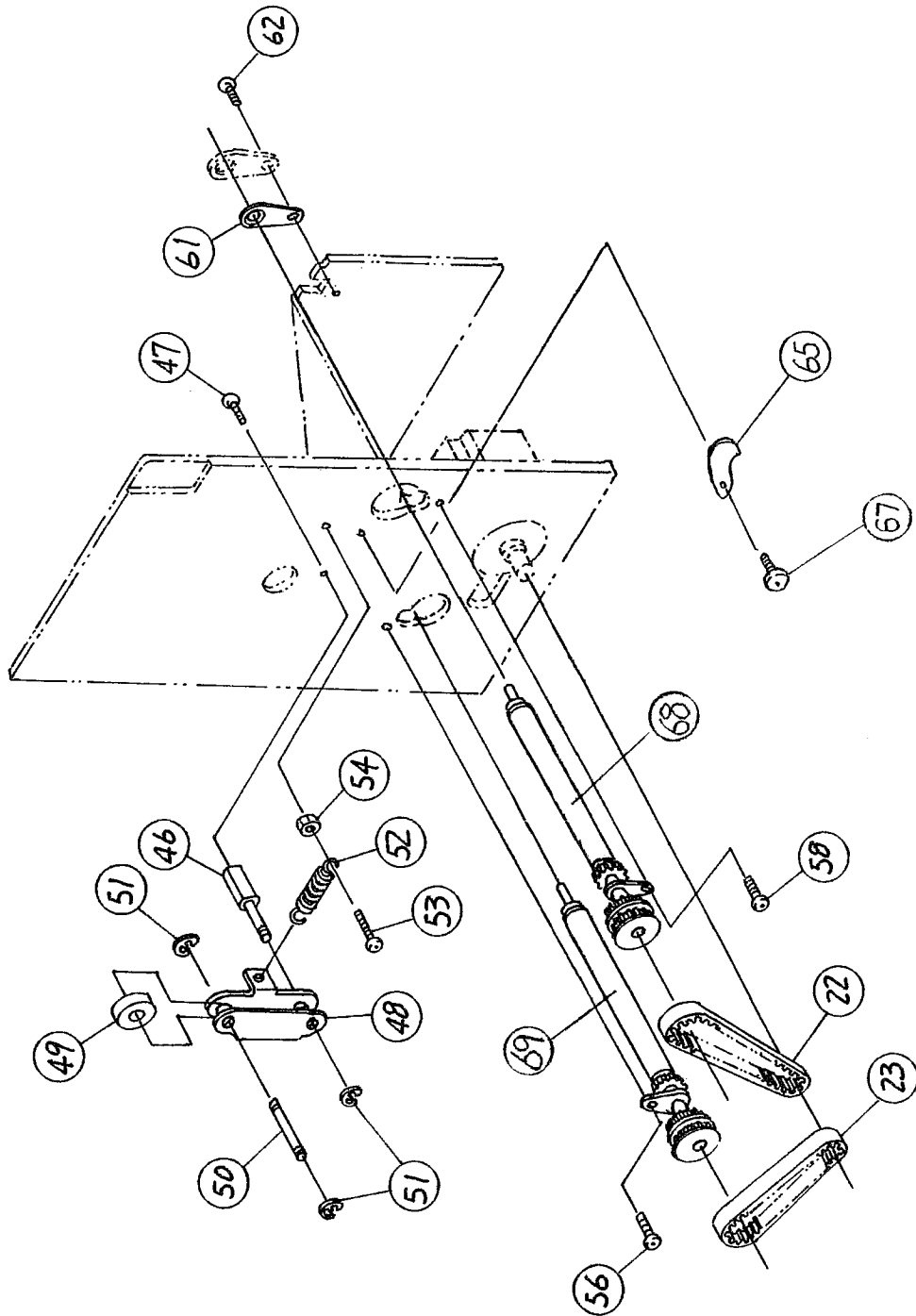
Frame Assembly



Frame Assembly



Frame Assembly



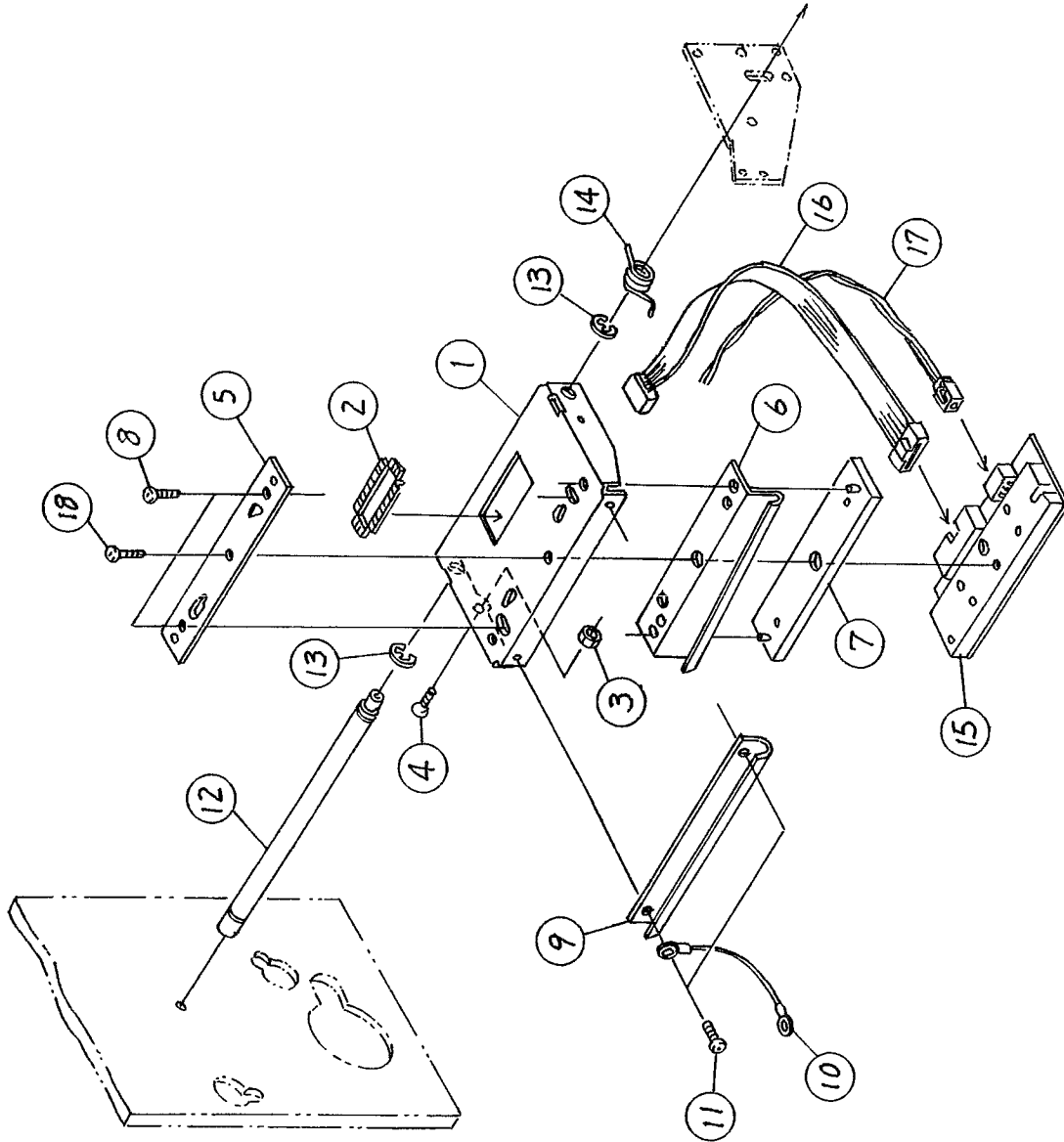
Frame Assembly

NO.	CODE	DESCRIPTION	QTY
1	PR1740104	ENGINE FRAME	1
2	PB0680000	IDLE GEAR POST	1
3	PR1680100	IDLE GEAR	1
4	ND0040030	E-SNAP RING	1
5	PE5680000	GUIDE SHAFT	1
6	PR3740501	SLIDE GUIDE (MELTED)	1
7	PB2680100	KNOB	1
8	PE1010400	GUIDE ROLLER (A)	2
9	MF0302022	PAN TAPPING SCREW W/+ HOLE	1
10	MH0301621	PAN HEAD SCREW	1
11	PB0680400	GUIDE SHAFT	3
12	MD4401022	PAN HEAD SCREW	3
13	RH1741400	STEPPER MOTOR ASSY	1
14	PL0680102	MOTOR PULLEY	1
15	MJ1300424	HEX HOLE W-POINT	2
16	MD4402021	PAN HEAD SCREW	2
17	PA1740100	NUT PLATE	2
18	RH1740500	HEAD OPEN SW CABLE SET(SEN5)	1
19	MD3201221	PAN SCREW	2
20	PA3740200	SENSOR GUIDE	1
21	MD4300822	PAN HEAD SCREW	2
22	PT8130064	MINI PITCH BELT	1
23	PT8090064	MINI PITCH BELT	1
24	PA1740200	SIDE FRAME	1
25	MD4401022	PAN HEAD SCREW	3
26	PR3740400	PAPER GUIDE	1
27	PE3720300	ROLLER	2
28	PB2740100	COLLAR	2
29	MD4301222	PAN HEAD SCREW	2
30	RH1741300	PAPER END SW CODE SET (SEN7)	1
31	MD3201221	PAN HEAD SCREW	2
32	MD4300622	PAN HEAD SCREW	2
33	MD4301022	PAN HEAD SCREW	2
34	PB0740101	POST (LATCH)	1
35	NA1040022	PLAIN WASHER	1
36	NB0040022	SPRING WASHER	1
37	MT1400722	HEX NUT	1
38	PB0740202	SENSOR SHAFT	1
39	PR7740200	PITCH SENSOR SUB	1

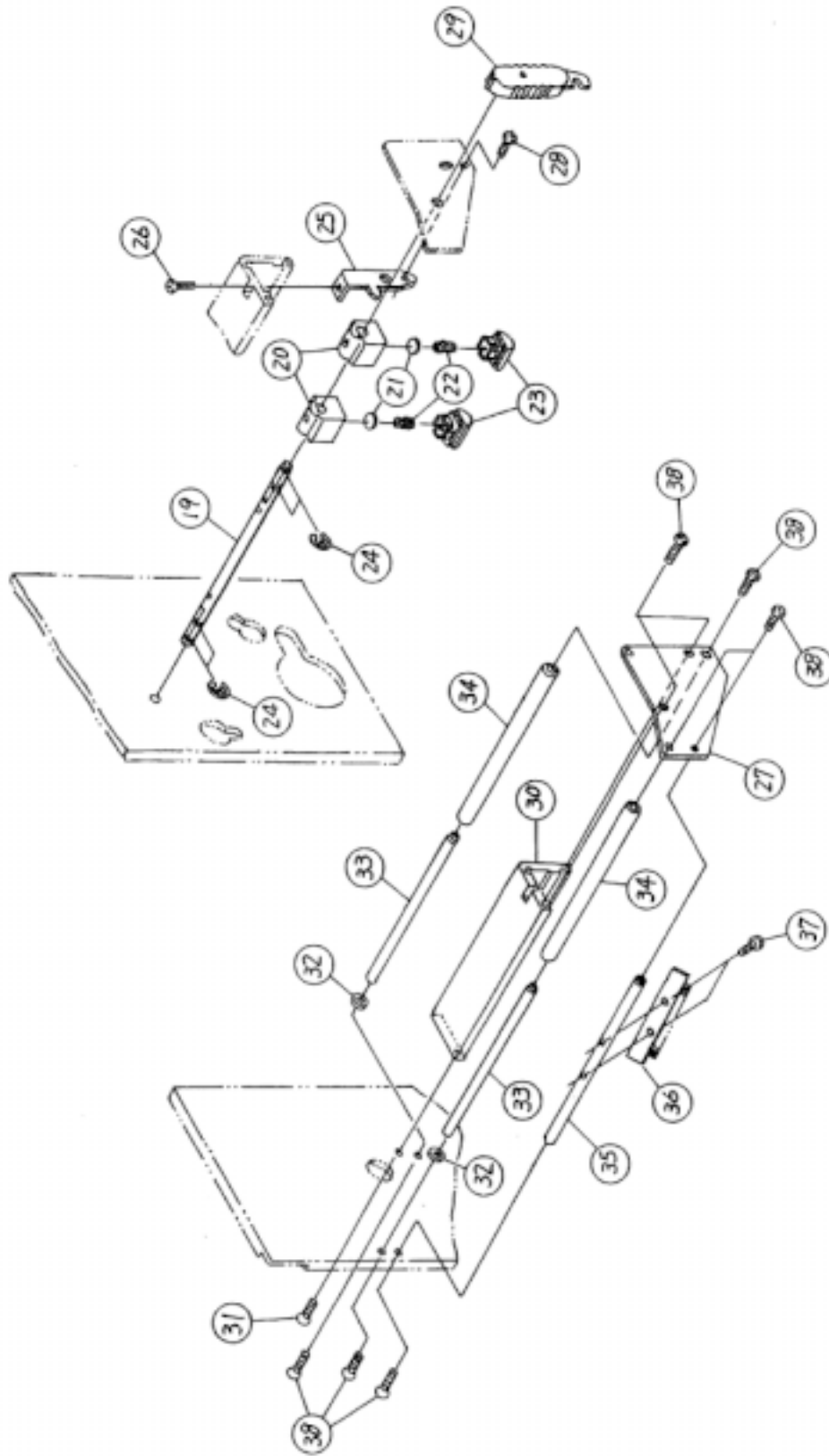
Frame Assembly

NO.	CODE	DESCRIPTION	QTY
40	PA4740300	PLATE SPRING	1
41	MH0300821	P-TIGHT SCREW	2
42	ND0040030	E-SNAP RING	2
43	PA1740300	SENSOR BRACKET	1
44	ND0030030	E-SNAP RING	1
45	MD4300822	PAN HEAD SCREW	2
46	PB0740800	POST	1
47	MD4401621	PAN HEAD SCREW	1
48	PA3741800	TENSION BRACKET	1
49	PE3720100	TENSION ROLLER	1
50	PB0740900	TENSION ROLLER SHAFT	1
51	ND0040030	E-SNAP RING	3
52	PC0740100	SPRING	1
53	MD4301422	PAN HEAD SCREW	1
54	MT1300522	HEX NUT	1
56	MD4300822	PAN HEAD SCREW	1
58	MD4300822	PAN HEAD SCREW	1
59	PA1741000	ADJUST PLATE	1
60	MD4401022	PAN HEAD SCREW	2
61	PA1681000	SPACER	1
62	MD0300622	PAN HEAD SCREW	1
63	MD4301422	PAN HEAD SCREW	4
64	MD4401022	PAN HEAD SCREW	2
65	PA1741400	COVER (PLATE)	1
67	MD4301222	PAN HEAD SCREW	1
68	PR7740102	PLATEN ROLLER SUB	1
69	PR7740300	FEED ROLLER SUB	1

Head Assembly



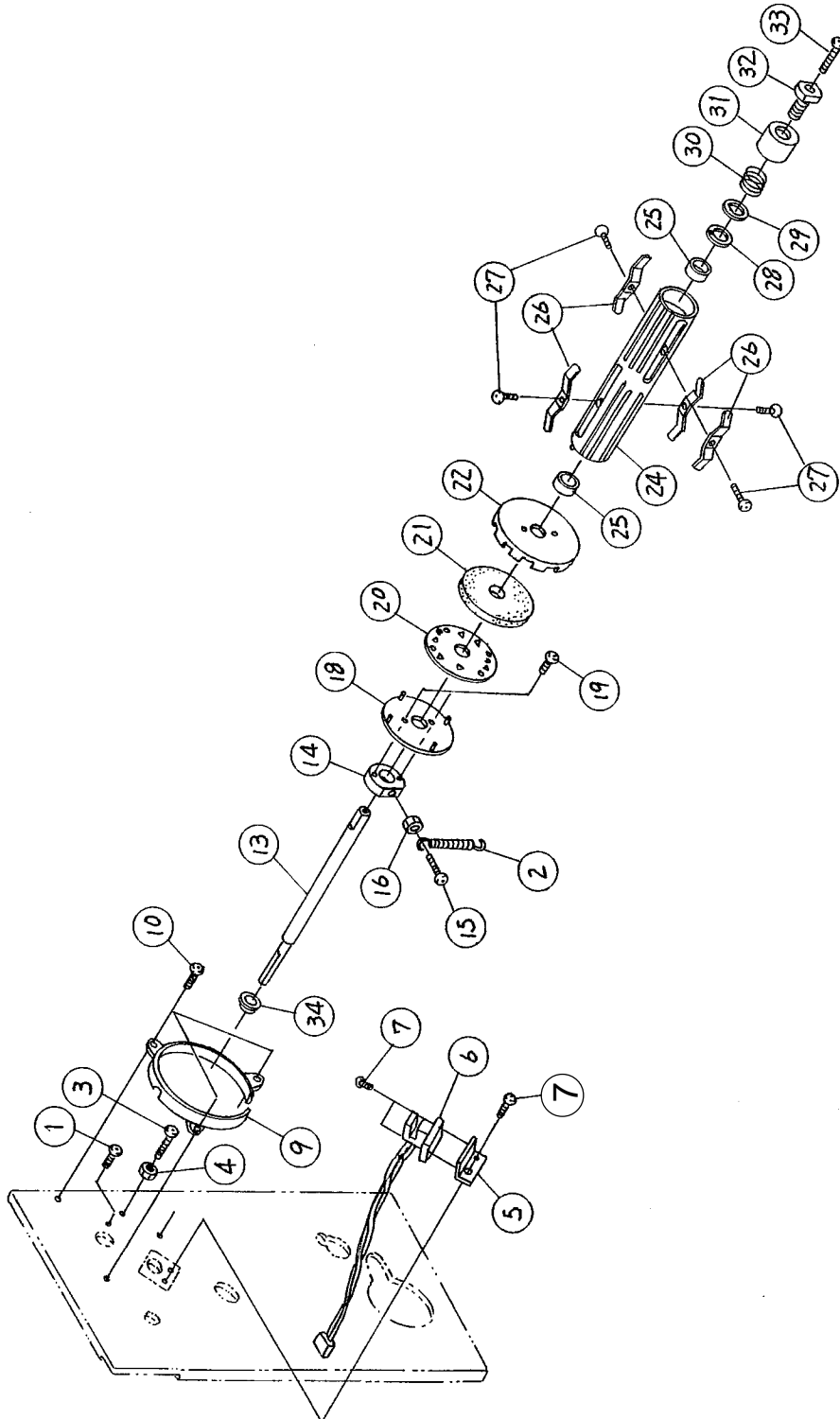
Head Assembly



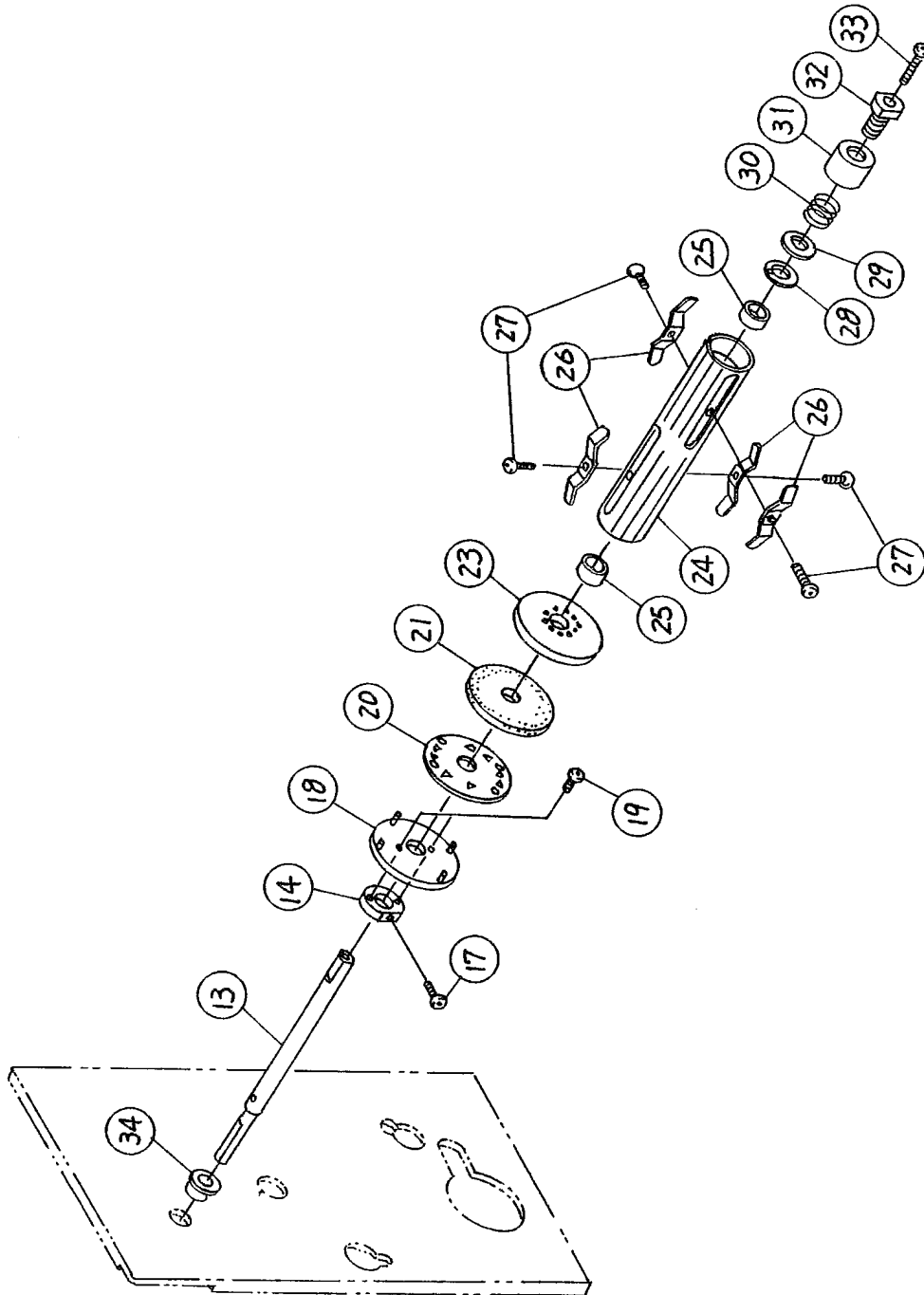
Head Assembly

NO.	CODE	DESCRIPTION	QTY
1	PA3740402	HEAD BRACKET	1
2	PV9740300	BUSHING	1
3	MT1300522	HEX NUT 1ST TYPE	1
4	MA0300821	PAN HEAD SCREW	1
5	PA1740401	ADJUST PLATE	1
6	PR4740402	PLATE (RIBBON)	1
7	PR1740300	HEAD SUB HOLD	1
8	MD4301022	PAN HEAD SCREW	2
9	PA3740504	PLATE (RIBBON ADJUST)	1
10	RH1741800	HEAD BRACKET FG CORD SET	1
11	MA0300622	PAN HEAD SCREW	2
12	PB0740300	SHAFT (HEAD)	1
13	ND0060030	E-SNAP RING	2
14	PC2740101	SPRING (OPEN)	1
15	GH000811A	PRINT HEAD	1
16	RH1775201	PRINT HEAD CABLE ASSY	1
17	RH1775100	HEAD CABLE ASSY	1
18	MD4301422	PAN SCREW	1
19	PB0740401	SHAFT (HEAD PRESSURE)	1
20	PE1740100	HEAD PRESSURE BRACKET	2
21	PA0740100	PRESSURE PLATE	2
22	PC1740200	SPRING (HEAD)	2
23	PE1740200	HEAD PRESSURE	2
24	ND0060030	E-SNAP RING	4
25	PA3740600	ADJUST PLATE	1
26	MD4301422	PAN SCREW	1
27	PA1740500	HEAD PLATE	1
28	MD4300622	PAN SCREW	1
29	PR2740100	LATCH HANDLE	1
30	PD1740100	STAY	1
31	MD4401621	PAN HEAD SCREW	2
32	PT9740300	POLY SLIDER	2
33	PB0680400	GUIDE SHAFT	2
34	PR1740400	ROLLER	2
35	PB0740500	SHAFT(BRASH)	1
36	PR1340500	ANTI-STATIC BRASH	1
37	MA0300622	PAN HEAD SCREW	2
38	MD4401022	PAN SCREW	8

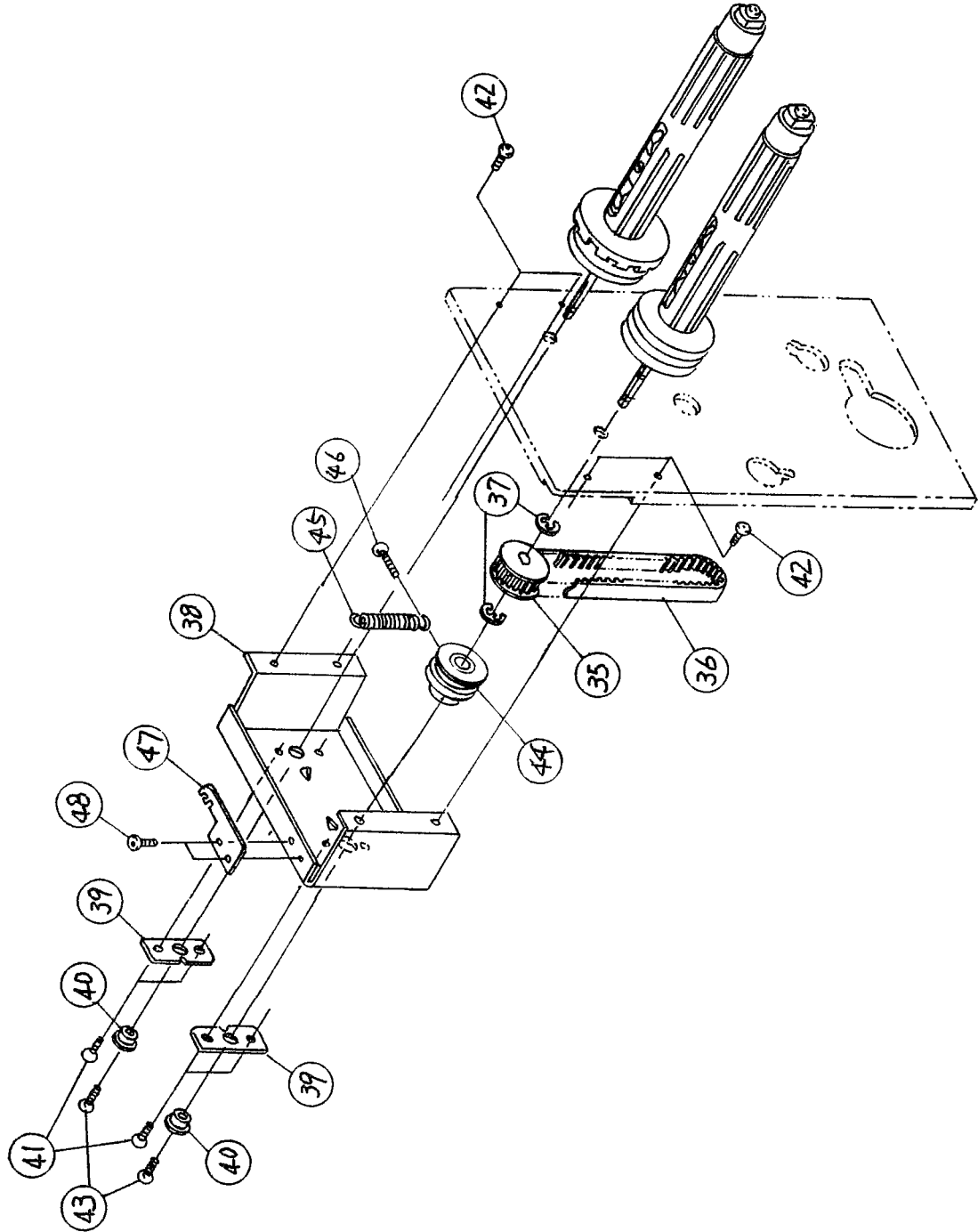
Ribbon Assembly



Ribbon Assembly



Ribbon Assembly



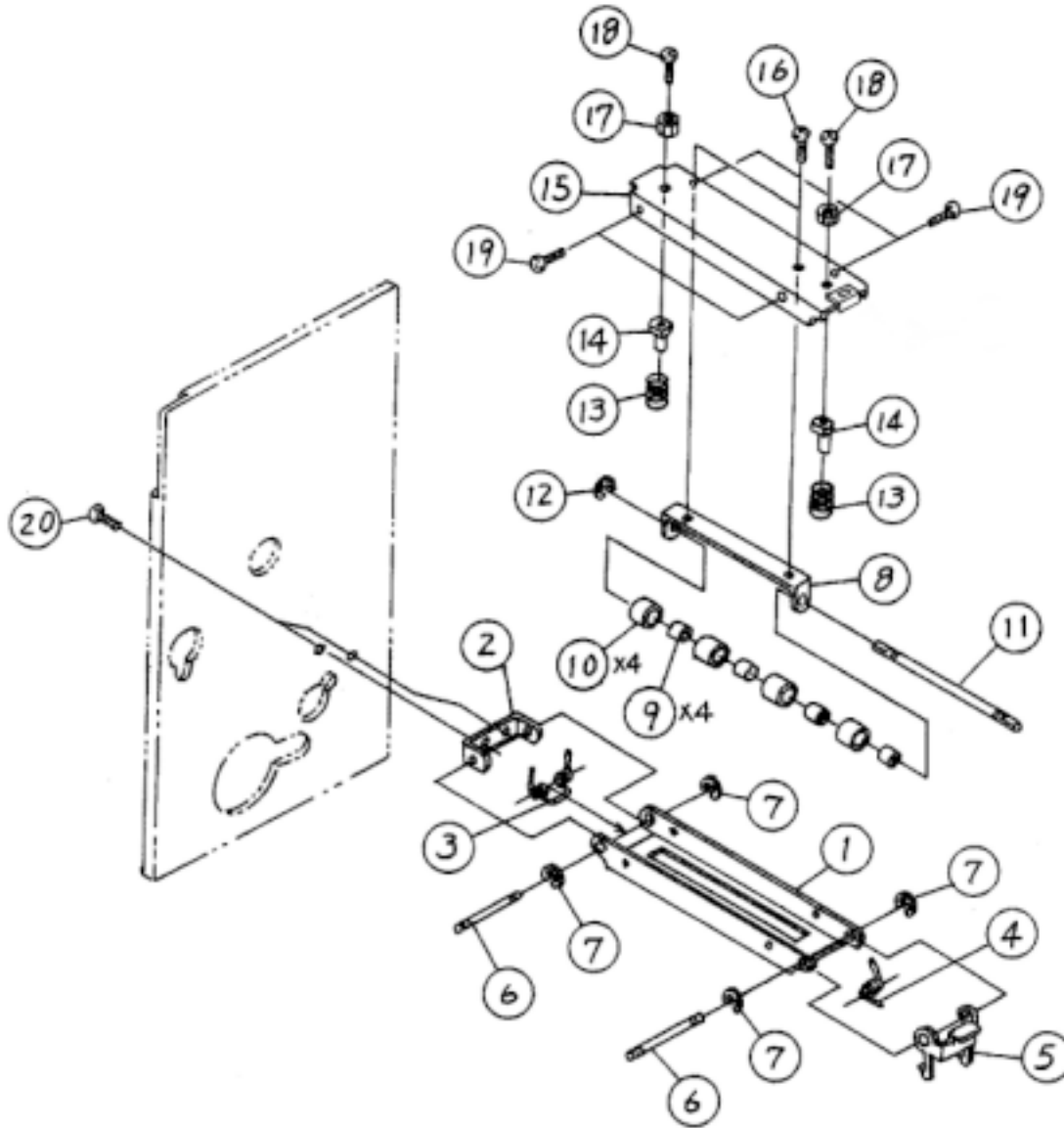
Ribbon Assembly

NO.	CODE	DESCRIPTION	QTY
1	MD 4300622	PAN HEAD SCREW	1
2	PC0740200	SPRING (BACK)	1
3	MA1300822	FLAT SCREW	1
4	MT1300522	HEX NUT 1ST TYPE	1
5	PA3730200	SENSOR BRACKET (RIBBON)	1
6	RH1740400	RIBBON SENSOR CABLE SET (SEN4)	1
7	MA0300622	PAN HEAD SCREW	3
9	PE6720100	DISPLAY	1
10	MD4300822	PAN HEAD SCREW	1
13	PB0740602	SHAFT (RIBBON)	2
14	PE4720200	PLATE HOLDER BOSS	2
15	MA0302522	PAN SCREW	1
16	MT1300522	HEX NUT	1
17	MA0301821	PAN HEAD SCREW	1
18	PA0730100	GUIDE PLATE	2
19	MH1250621	FLAT P-TIGHT SCREW	4
20	PA0730200	HOLD PLATE	2
21	PA0680300	LINING	2
22	PE7720100	DISC PLATE (A)	1
23	PE1681100	GUIDE PLATE(B)	1
24	PE4730100	RIBBON BOSS	2
25	PE2720100	COLLAR	4
26	PA4690900	SPRING	8
27	MH0300521	PAN P-TIGHT SCREW	8
28	PT2301020	OIL DRY METAL WASHER	2
29	PA0680400	DISC	2
30	PC1730100	SPRING (RIBBON)	2
31	PE2730100	STOPPER COLLAR	2
32	PB5730100	ADJUST SCREW	2
33	MA0303022	PAN HEAD SCREW	2
34	PT1112080	BEARING	2
35	PR1720400	PULLEY	1
36	PT8165064	TIMING BELT	1
37	ND0060030	E STOP RING	1
38	PA3740900	RIBBON FRAME	1
39	PA1731000	ADJUST PLATE	2
40	PT1112080	BEARING	2
41	MD4300622	PAN HEAD SCREW	4

Ribbon Assembly

NO.	CODE	DESCRIPTION	QTY
42	MD4401222	PAN HEAD SCREW	4
43	MD4401022	PAN HEAD SCREW	2
44	PR1770100	PULLEY	1
45	PC0740200	SPRING (BACK)	1
46	MH0300821	PAN HEAD P-TIGHT SCREW	1
47	PA2771300	SPRING BRACKET	1
48	MD4300622	PAN HEAD SCREW	2

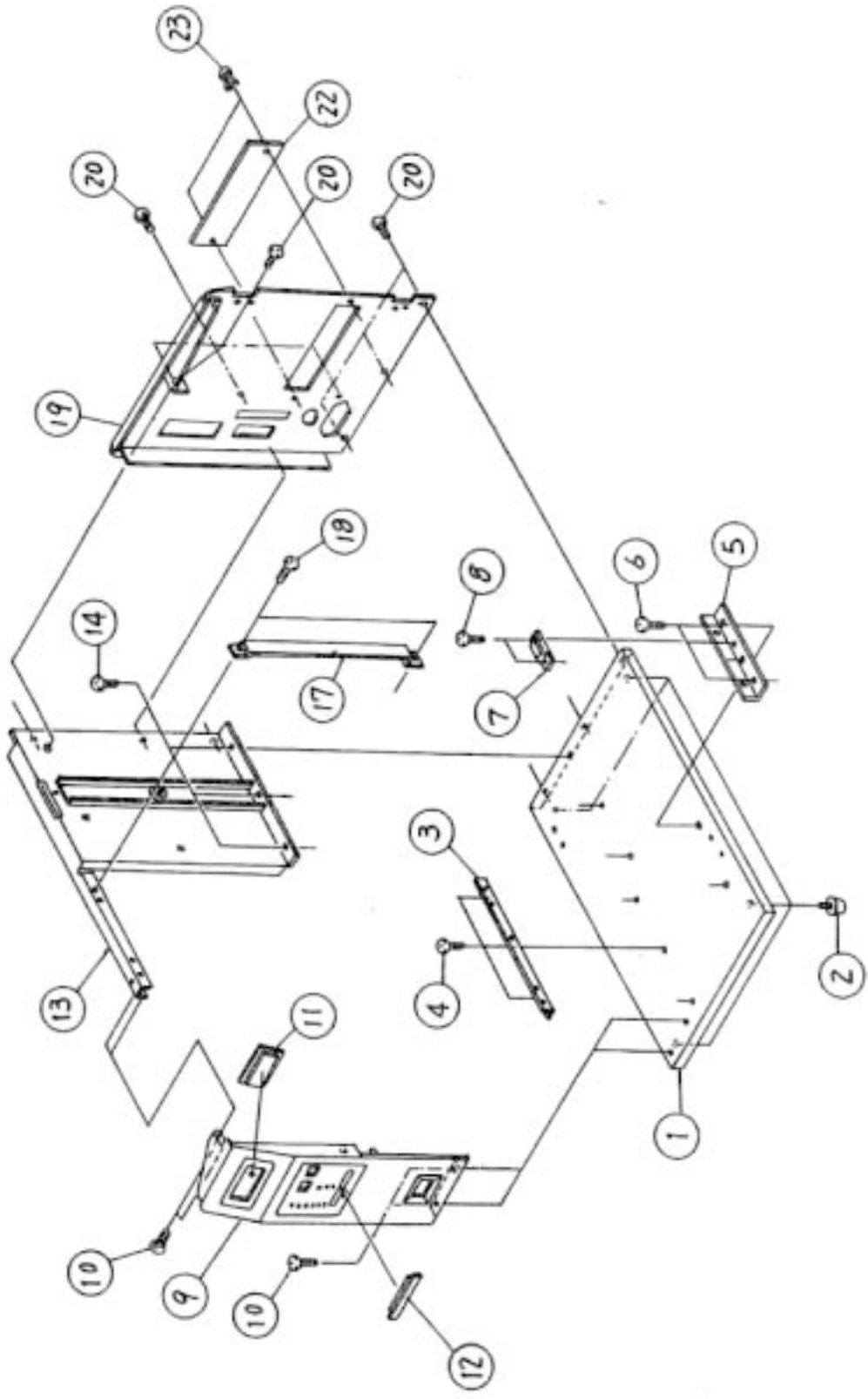
Feed Roller Assembly



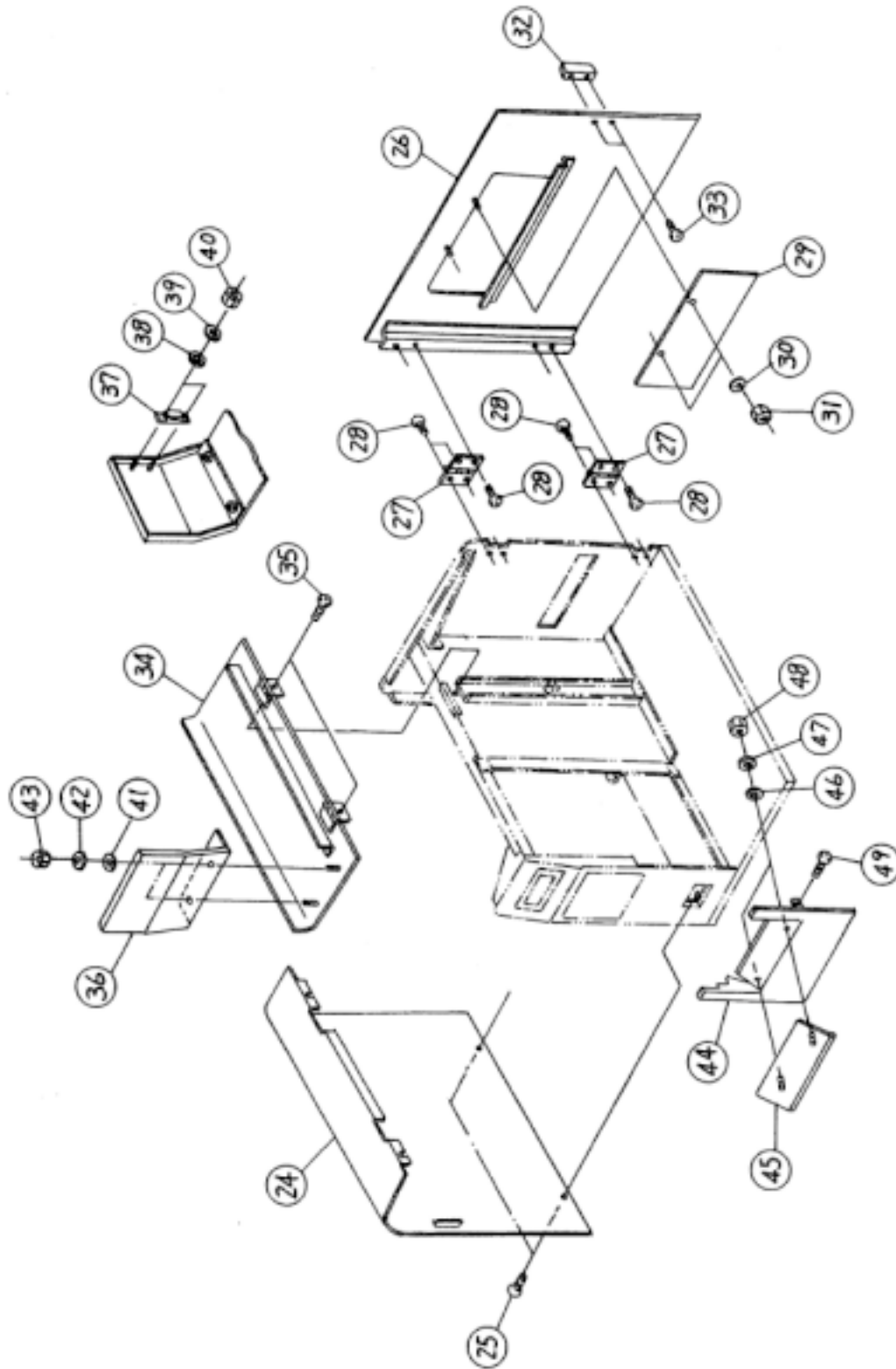
Feed Roller Assembly

NO.	CODE	DESCRIPTION	QTY
1	PA3742201	PAPER LID (BOTTOM)	1
2	PA3742001	LID	1
3	PC2740200	SPRING (OPEN)	1
4	PC2740300	SPRING (LATCH)	1
5	PA3742100	LATCH HANDLE	1
6	PB0741100	SHAFT (LID)	2
7	ND0020030	E-SNAP RING	4
8	PA3741900	ROLLER BRACKET	1
9	PE3720500	ROLLER	4
10	PE3720200	ROLLER	4
11	PB0741000	SHAFT (PRESSURE ROLLER)	1
12	ND0040030	E- SNAP RING	1
13	PC1740401	SPRING (PRESSURE)	2
14	PE2730300	STOPPER COLLAR	2
15	PR4740300	PAPER LID (TOP)	1
16	MD4300622	PAN HEAD SCREW	2
17	MT1300522	HEX NUT	2
18	MA0301022	PAN HEAD SCREW	2
19	MD4300622	PAN HEAD SCREW	4
20	MD4301022	PAN HEAD SCREW	2

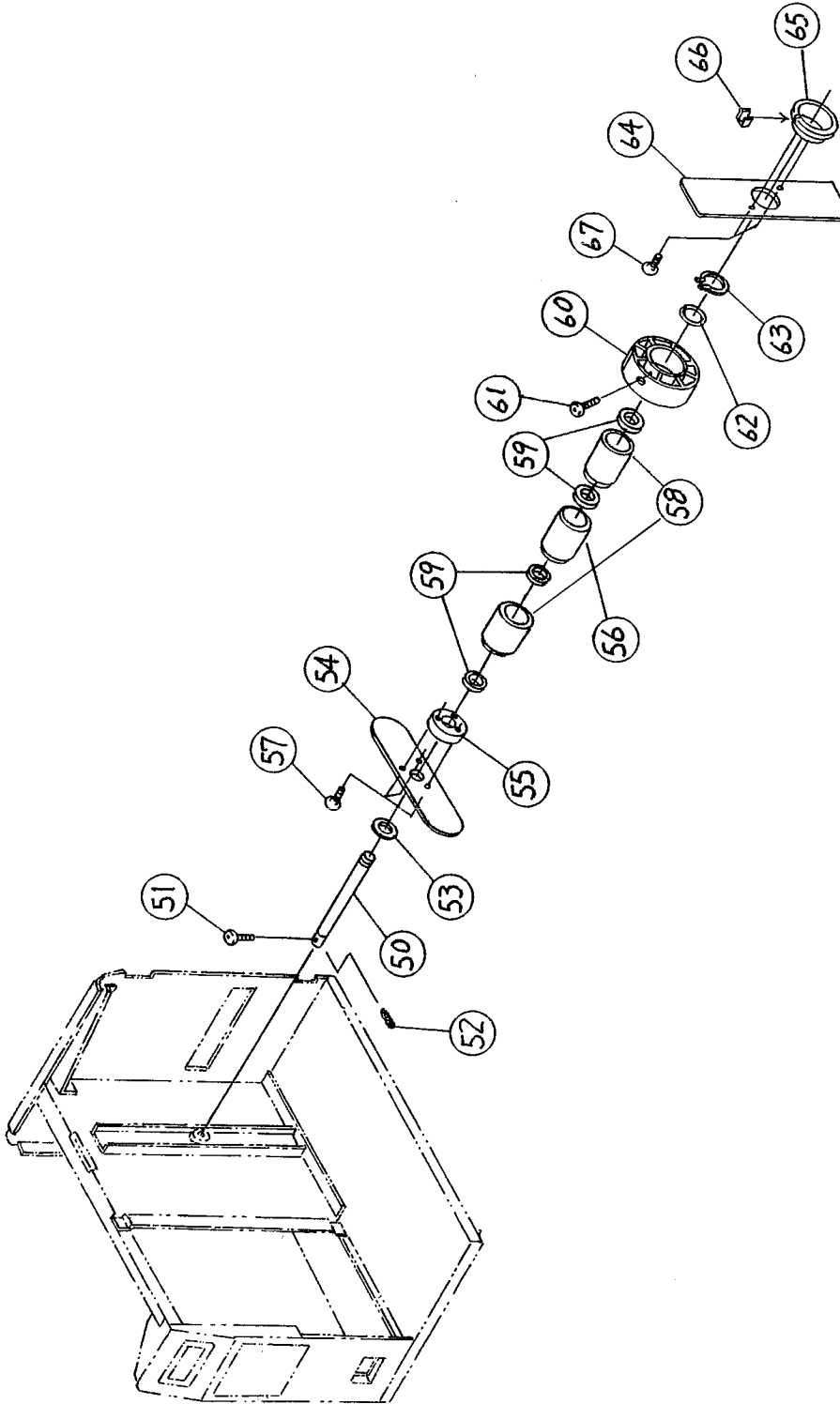
Base Cover Assembly



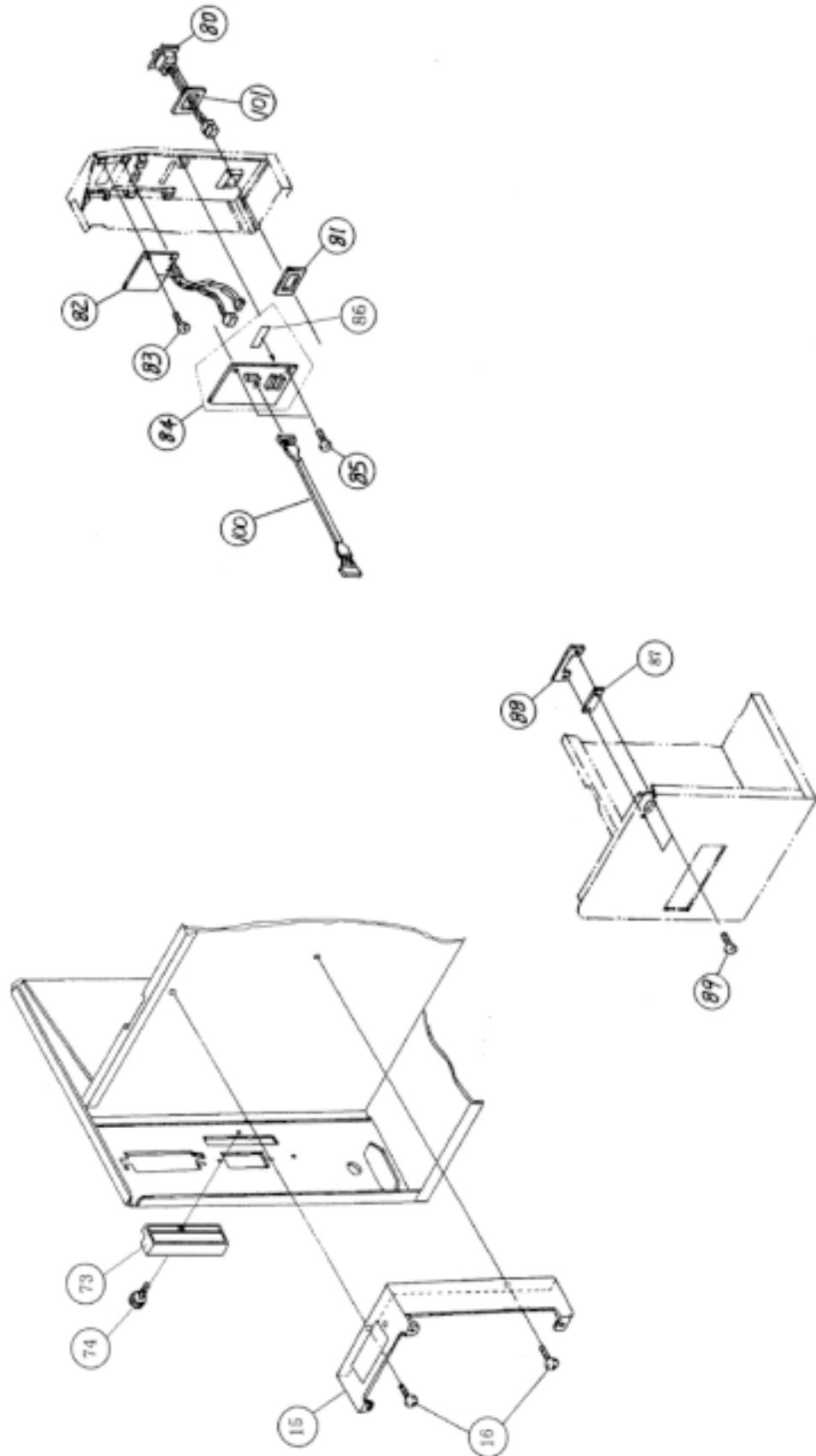
Base Cover Assembly



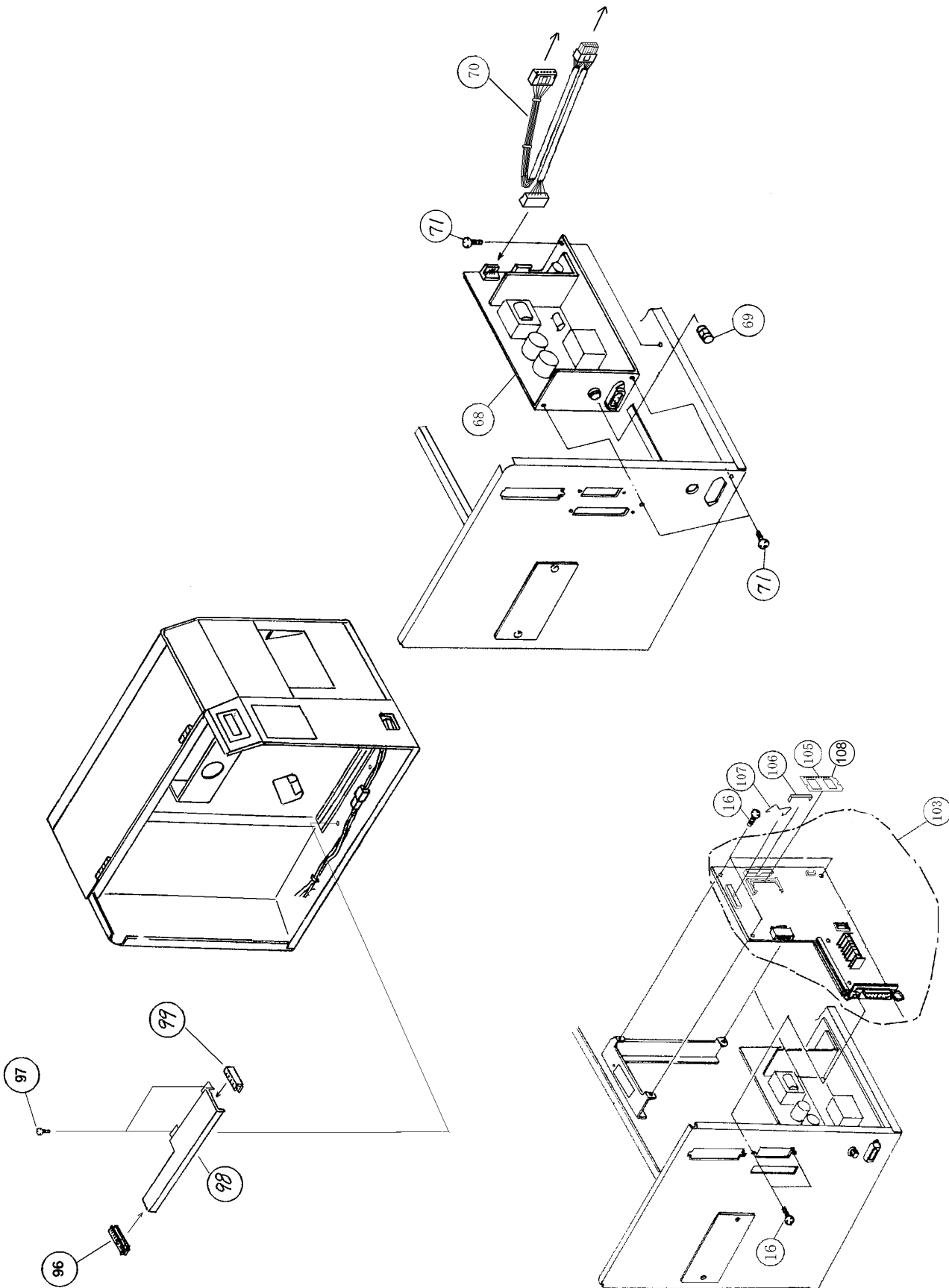
Base Cover Assembly



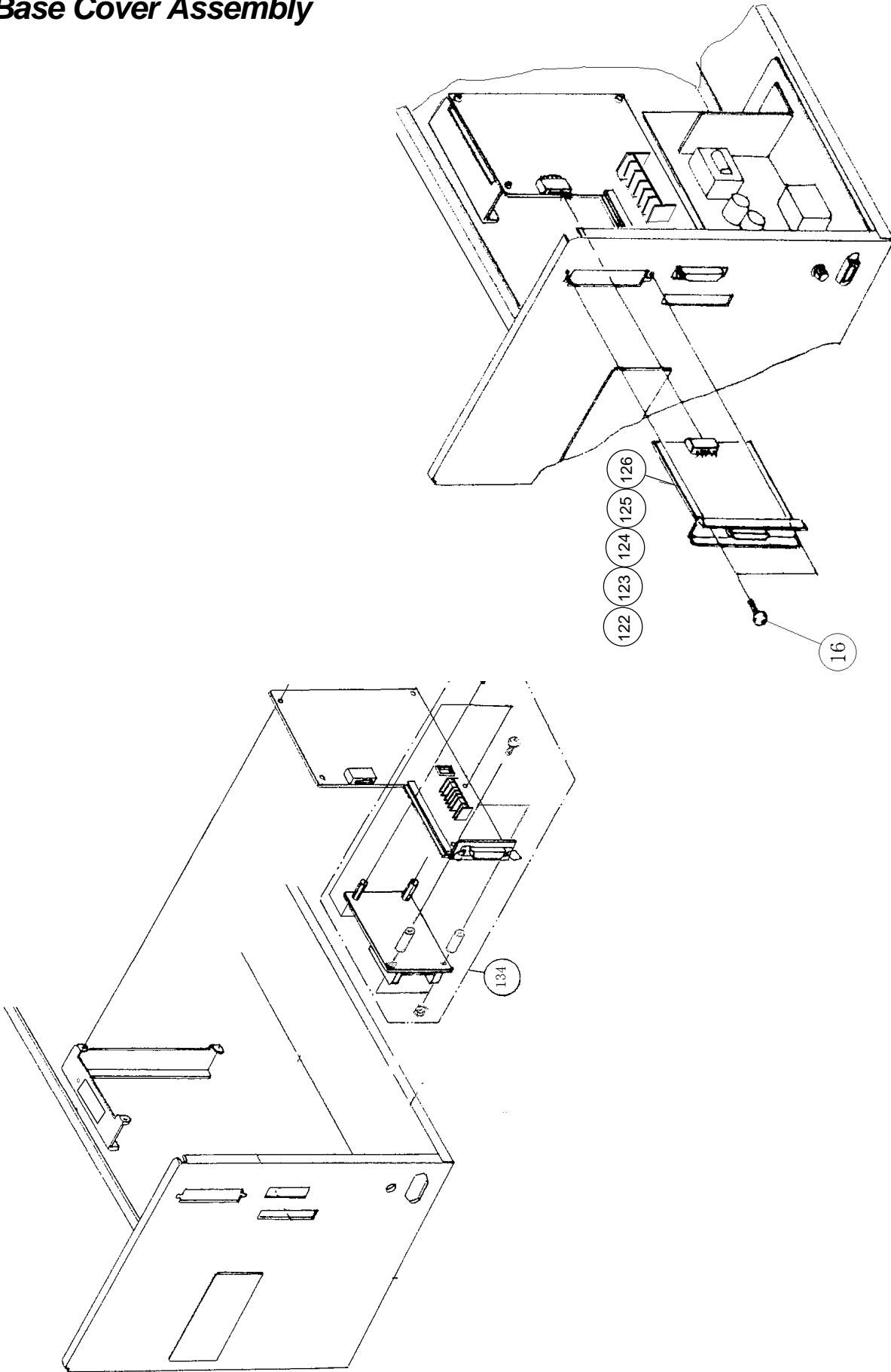
Base Cover Assembly



Base Cover Assembly



Base Cover Assembly



Base Cover Assembly

NO.	CODE	DESCRIPTION	QTY
1	PH1742700	BASE FRAME	1
2	PT6680100	RUBBER FOOT	4
3	PA3741000	FRAME BRACKET	1
4	MD4301022	PAN HEAD SCREW	3
5	PA3742500	FRAME BRACKET	1
6	MD4301022	PAN HEAD SCREW	2
7	PT9689000	MAGNET	1
8	MD4301022	PAN HEAD SCREW	2
9	PZ0740500	COVER (FRONT)	1
10	MD4401022	PAN HEAD SCREW	4
11	PE1680200	PROTECTOR	1
12	PE6740300	DIP SW COVER	1
13	PH1742900	CENTER FRAME	1
14	MD4401022	PAN HEAD SCREW	3
15	PA1775400	PCB BRACKET	2
16	MD4300622	PAN HEAD SCREW	7
17	PH1741800	CENTER FRAME SUB(A)	1
18	MD4300622	PAN HEAD SCREW	2
19	PZ0740800	COVER (REAR) SA	1
20	MD4300622	PAN HEAD SCREW	7
22	PH3683802	LID	1
23	PT9520100	NYLON RIVET	2
24	PH1741600	COVER (LH)	1
25	MD4300822	PAN HEAD SCREW	2
26	PZ0740901	COVER (RH) SET	1
27	PT3681200	HINGE	2
28	MD4300822	PAN HEAD SCREW	8
29	PH2680000	WINDOW	1
30	NA1030022	FLAT WASHER(POLISHED)	2
31	MT1300522	HEX NUT	2
32	PE1680300	HANDLE	1
33	MH0300821	PAN HEAD P-TIGHT SCREW	2
34	PH1741500	COVER (TOP)	1
35	MD4300822	PAN HEAD SCREW	2
36	PH1741700	COVER (TOP SUB)	1
37	PT9689000	MAGNET	1
38	NA1030022	FLAT (POLISHED)	2
39	NB0030022	SPRING WASHER	2
40	MT1300522	HEX NUT	2

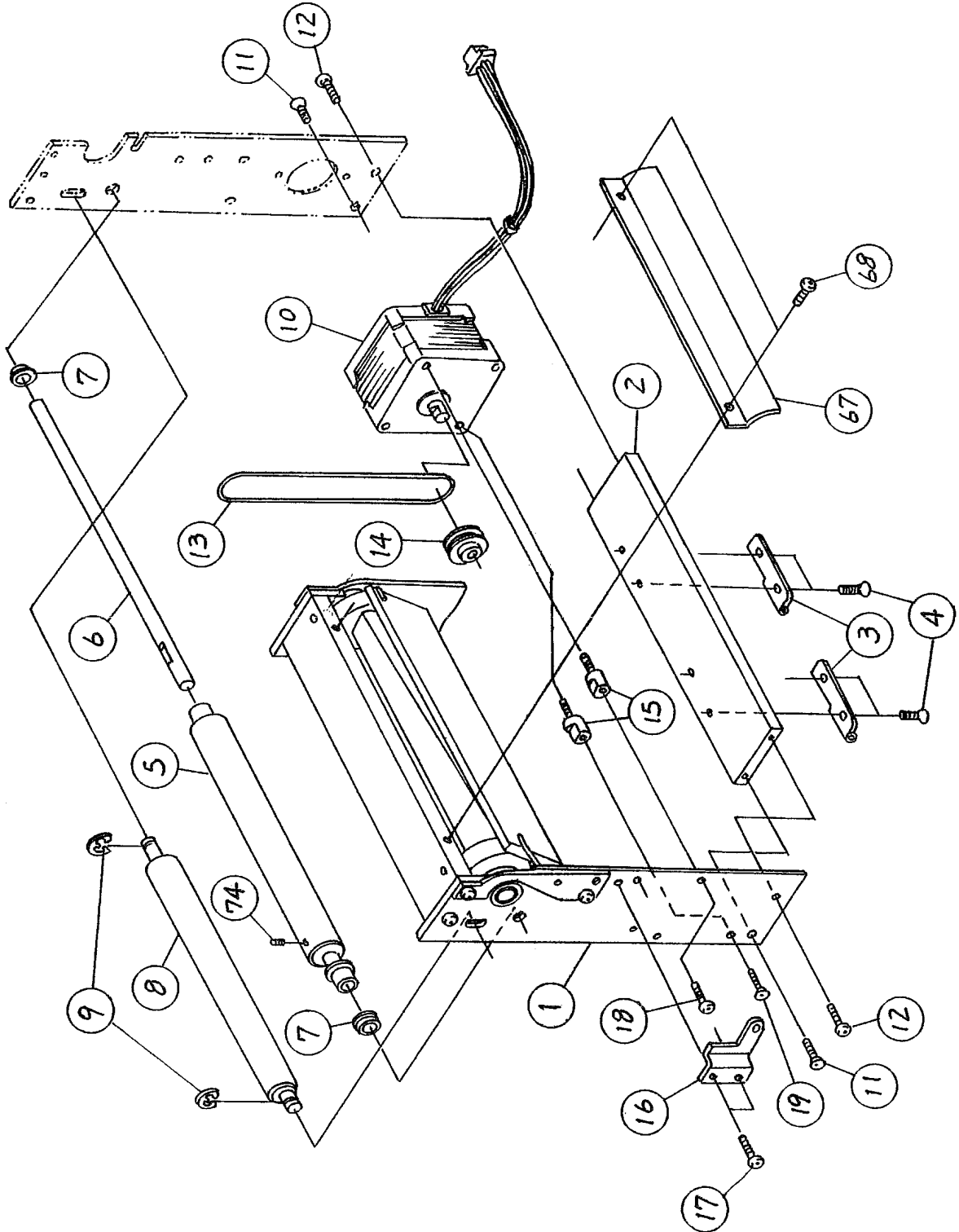
Base Cover Assembly

NO.	CODE	DESCRIPTION	QTY
41	NA1030022	FLAT (POLISHED)	2
42	NB0030022	SPRING WASHER	2
43	MT1300522	HEX NUT	2
44	PH3683002	COVER (FRONT)	1
45	PH1741000	COVER (FRONT) SUB	1
46	NA1030022	FLAT WASHER (POLISHED)	2
47	NB0030022	SPRING WASHER	2
48	MT1300522	HEX NUT	2
49	MD4401022	PAN HEAD SCREW	1
50	PB0740701	SHAFT (UNWIND)	1
51	MD4301422	PAN HEAD SCREW	1
52	MJ1400524	HEX HOLE SCREW W-POINT	1
53	PB2680700	SPACER	1
54	PA2680100	LABEL GUIDE PLATE	1
55	PE2680200	SPACER	1
56	PV3680000	PAPER GUIDE (ADDITIONAL PROCESSED)	1
57	MH0302021	PAN HEAD SCREW	3
58	PE4080100	PAPER GUIDE	2
59	PT2016010	DRY METAL	4
60	PE4210100	GUIDE CORE (3INCH)	1
61	MH0300821	PAN HEAD P-TIGHT SCREW	1
62	PT92100QY	O-RING	1
63	ND3160024	C-TYPE STOP RING	1
64	PB2080400	ROLL STOP	1
65	PE4080200	GUIDE STOPPER	1
66	PA1210400	PRESSING SPRING	1
67	MH1300821	FLAT P-TIGHT SCREW	2
68	KA500831A	POWER UNIT (115V)	1
69	HD100321A	FUSE(250V/3.15A)	1
70	RH1775100	HEAD CABLE ASSY	1
71	MD4300822	PAN HEAD SCREW	3
73	PE6771001	MEMORY CARD COVER	1
74	PB5A20001	HEAD SCREW	1
80	RH1686101	POWER SWITCH SUB	1
81	PH1688300	LOCK PLATE	1
82	RH1740700	LCD CABLE SET	1
83	MD4200621	PAN HEAD SCREW	2
84	RJ2741000	KB PC SA	1

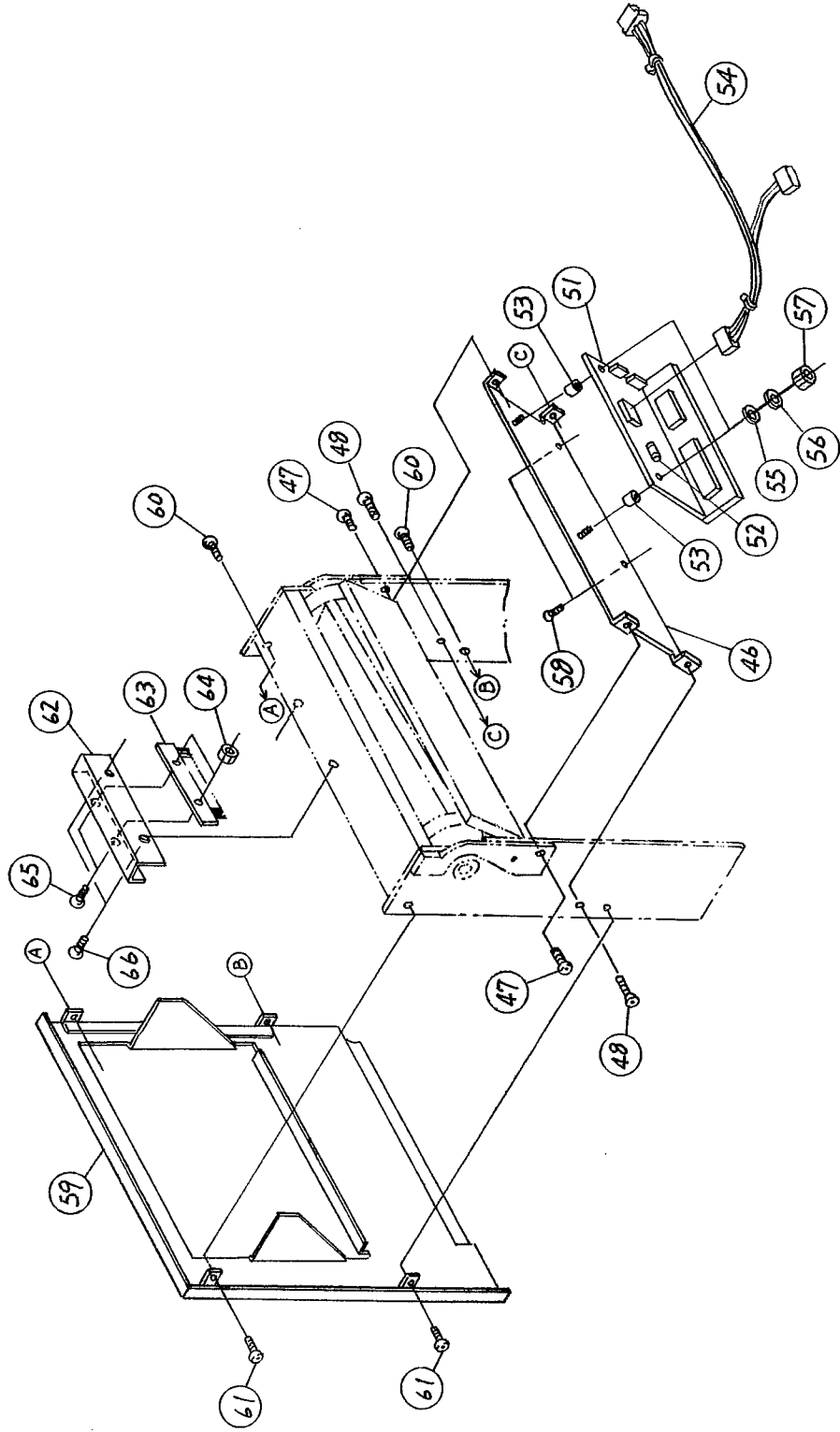
Base Cover Assembly

NO.	CODE	DESCRIPTION	QTY
85	MA0300621	PAN HEAD SCREW	2
86	PE6740400	DSW1 COVER	1
87	PA1774300	LID	1
88	PA6685400	NUT PLATE	1
89	MD3201221	PAN HEAD SCREW	2
96	PV9740400	BUSHING	1
97	MD4300622	PAN HEAD SCREW	2
98	PA6740200	SHEILD PLATE	1
99	PV9740500	BUSHING	1
100	RH1742000	KB CABLE SET (KB)	1
101	PH1742500	SWITCH PLATE	1
103	RJ1771200	CONT PCB ASSY-A	1
105	RJ7770200	MEMORY PCB ASSY-B	1
106	PA3739900	CONNECTOR LOCK	1
107	PC9730100	SPRING (LOCK)	1
108	RJ7770300	MEMORY PCB (4 MB UPGRADE OPTION)	1
122	WCL404070	IEEE-1284 PARALLEL INTERFACE	1
123	WCL404051	SERIAL INTERFACE	1
124	WCL404060	USB INTERFACE	1
125	11S000158	ETHERNET INTERFACE	1
126	11S000136	CX/TX INTERFACE	1
134	RJ4770100	MEMORY KIT, (OPTION)	1

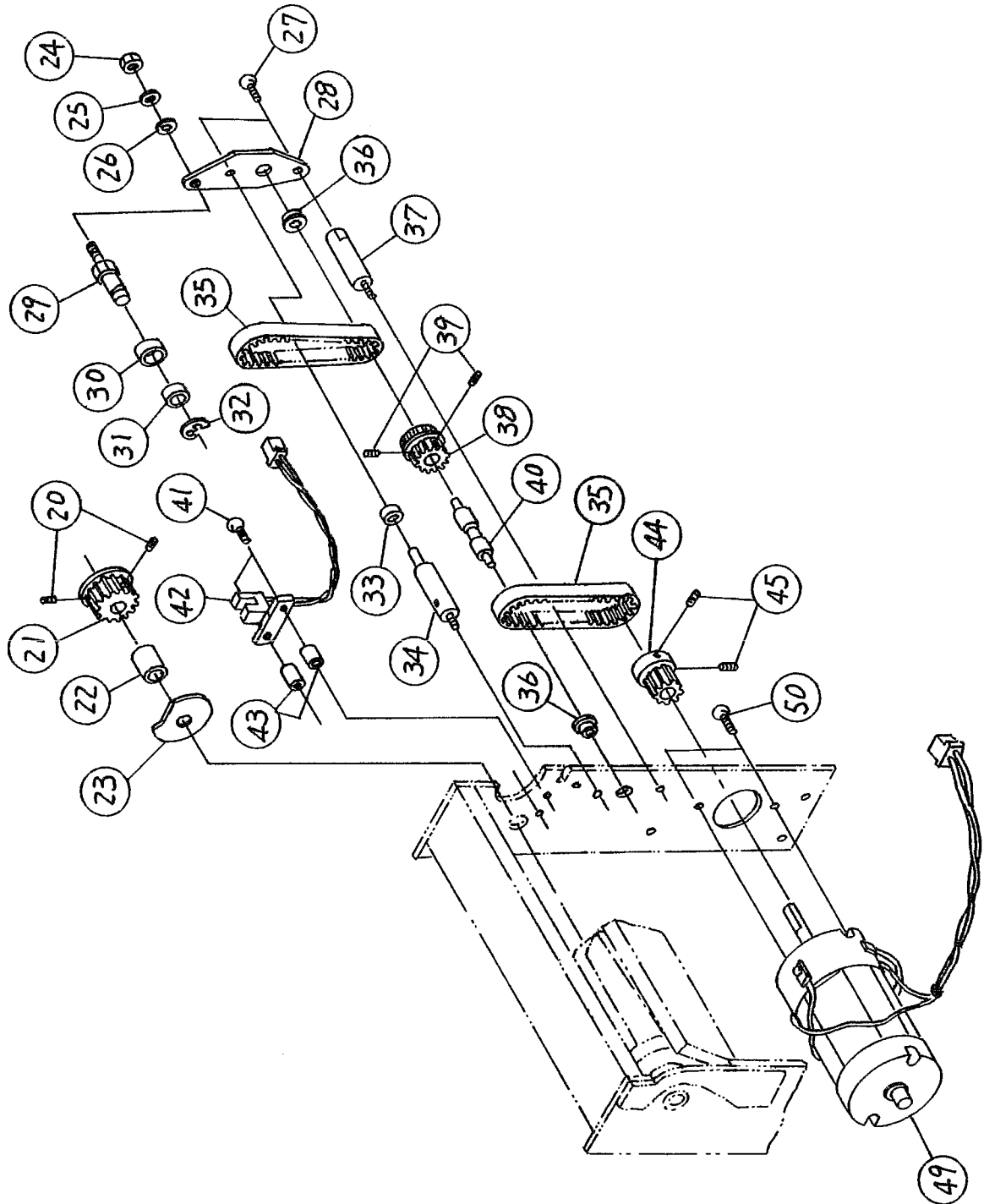
Cutter Unit Assembly



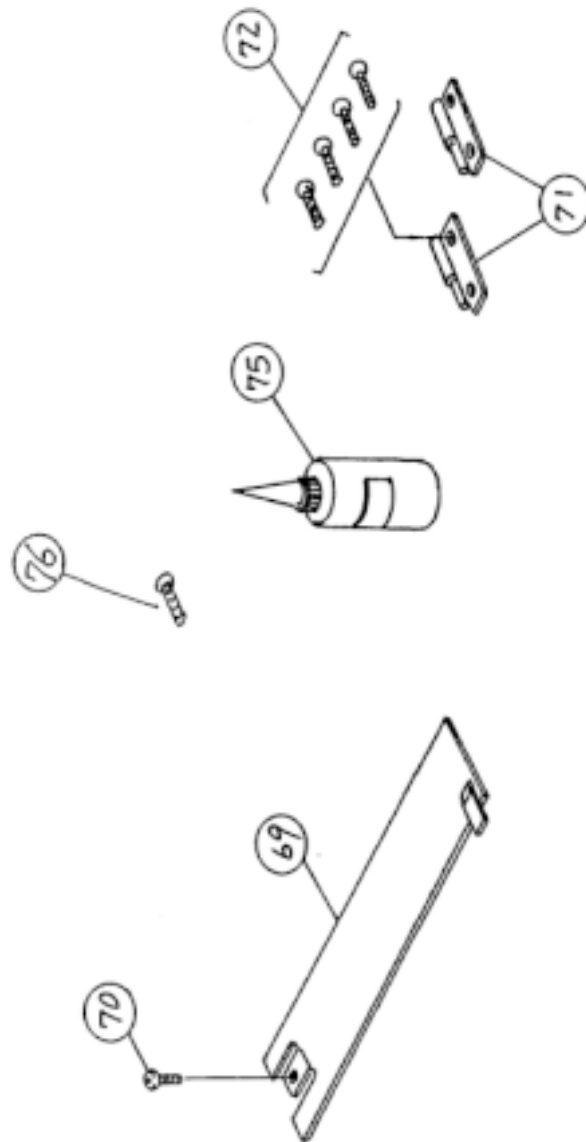
Cutter Unit Assembly



Cutter Unit Assembly



Cutter Unit Assembly



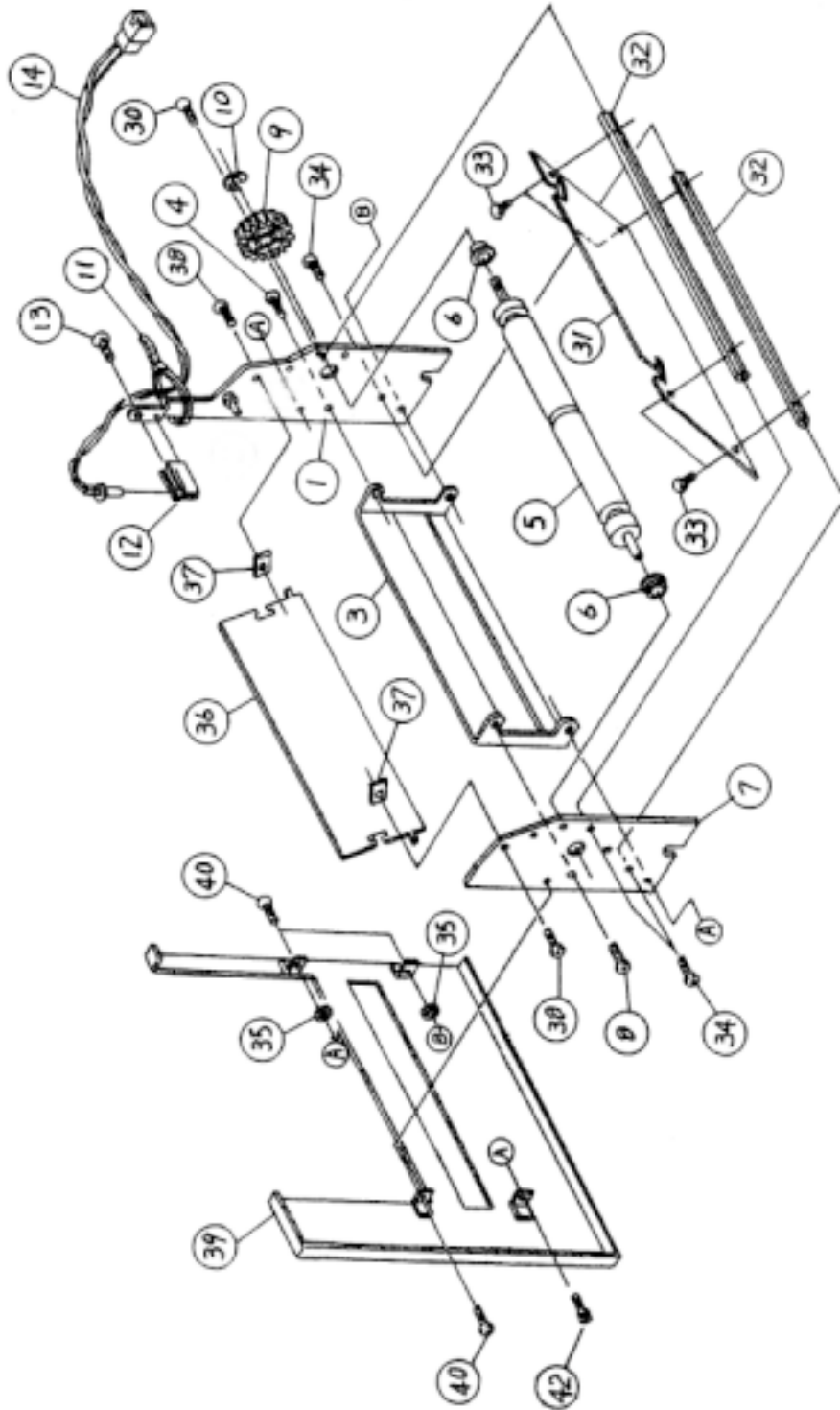
Cutter Unit Assembly

NO.	CODE	DESCRIPTION	QTY
1	PR4680600	Cutter Unit	1
2	PD1680301	Stay	1
3	PT3000100	Hinge	2
4	MA1300822	Flat Head Screw	4
5	PB3680700	Feed Roller	1
6	PB0682500	Feed Roller Shaft	1
7	PT1108050	Ball Supporter	2
8	PB3680200	Roller	1
9	ND0030030	E-snap Ring	2
10	RB0680300	Motor Sub	1
11	MA1400822	Flat Head Screw	2
12	MD4401022	Pan Head Screw	2
13	PT9680300	O-Ring Belt	1
14	PE8680400	Motor Pulley	1
15	PB0682600	Motor Post	2
16	PA3684600	Cutter Bracket(A)	1
17	MD4300622	Pan Head Screw	2
18	MD4300822	Pan Head Screw	1
19	MA1300822	Flat Head Screw	1
20	MJ1300424	W-point Screw	2
21	PR1691401	Cutter Pulley	1
22	PE3690701	Spacer	1
23	PA0680701	Sensor Slit	1
24	MT1300522	Hex nut	1
25	NB0030022	Spring Washer	1
26	NA1030022	Plain Washer	1
27	MD4300822	Pan Head Screw	2
28	PA1690000	Idle Gear Bracket	1
29	PB0690300	Roller Shaft	1
30	PE3690001	Tension Roller	1
31	PT2006008	Dry Metal	1
32	ND0050030	E-snap Ring	1
33	PT2005008	Dry Metal	1
34	PB0686500	Idle Bracket Shaft (B)	1
35	PT9690600	Timing Belt	2
36	PT1107030	Ball Supporter	2
37	PB0682400	Idle Bracket Shaft	1
38	PR1691502	Idle Pulley	1
39	MJ1300424	W-point Screw	2

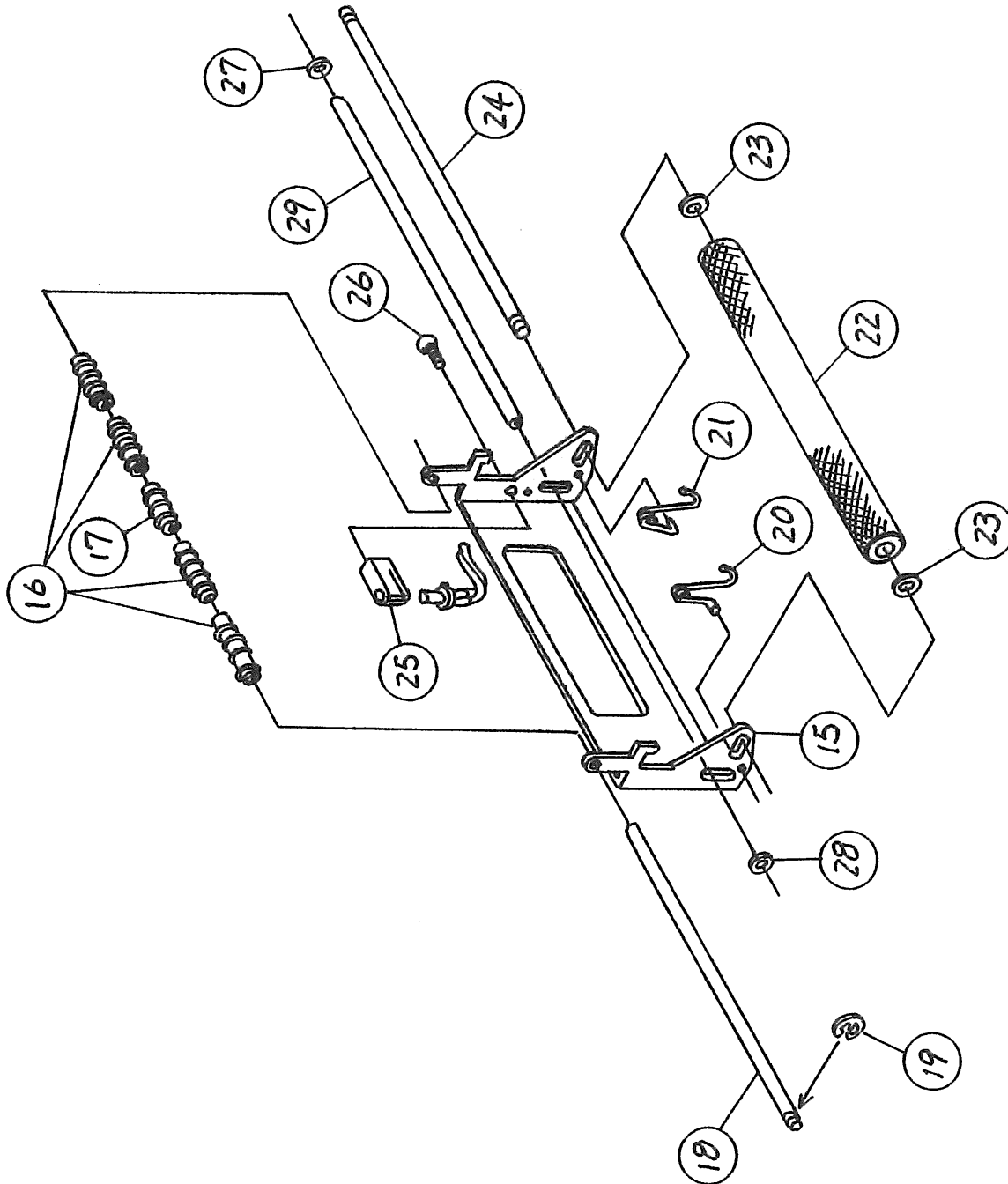
Cutter Unit Assembly

NO.	CODE	DESCRIPTION	QTY
40	PB0682300	Idle Pulley Shaft	1
41	MD3301222	Pan Head Screw	2
42	RF0680501	Sensor Sub	1
43	PE2680600	Spacer	2
44	PR1691601	Motor Pulley	1
45	MJ1300424	W-point Screw	2
46	PA3681400	Guide Plate	1
47	MD4300822	Pan Head Screw	2
48	MA1300822	Flat Head Screw	2
49	RB0680200	Motor Sub	1
50	MD4300822	Pan Head Screw	2
51	RJ1682300	Cutter PCB Assy	1
52	HD200031A	Fuse(3A)	1
53	PE2680900	PCB Spacer	2
54	RH1745101	Cutter Cord Set	1
55	NA1030022	Plain Washer	2
56	NB0030022	Spring Washer	2
57	MT1300522	Hex nut	2
58	MA1300822	Flat Head Screw	2
59	PH3684103	Cutter Cover	1
60	MA1300822	Flat Head Screw	2
61	MD4300622	Pan Head Screw	2
62	PA3684700	Brush Bracket	1
63	PR1340500	Brush	1
64	MT1250422	Hex Nut	2
65	MA1250621	Flat Head Screw	2
66	MD0300622	Pan Head Screw	2
67	PA3683600	Cutter Protect	1
68	MD4300822	Pan Head Screw	2
69	PH3684202	Center Frame Sub (B)	1
70	MD4300622	Pan Head Screw	1
71	PT3000100	Hinge	2
72	MD4300822	Pan Head Screw	4
74	MJ1300424	W-point Screw	1
75	QD9480100	Cutter Oil	1
76	MD4401022	Pan Head Screw	1

Dispenser Unit Assembly



Dispenser Unit Assembly



Dispenser Unit Assembly

NO.	CODE	DESCRIPTION	QTY
1	PR1680500	Frame (L)	1
3	PA3685100	Cutter Plate	1
4	MD0300622	Pan Head Screw	1
5	PR0681900	Feed Roller	1
6	PE2680400	Bush	2
7	PR1681800	Frame (R)	1
8	MD0300622	Pan Head Screw	1
9	PE6680300	Feed Roller Gear	1
10	ND0040030	E-snap Ring	1
11	JG100011A	Tie Wrap	1
12	PE1570300	Dispense Sensor Bracket	1
13	MH0250621	P-tight Screw	1
14	RH1681100	Dispense Sensor Cord Set	1
15	PA3685000	Dispense Roller Bracket	1
16	PE1010201	Dispense Roller	4
17	PV0681100	Dispense Roller	1
18	PB0685300	Dispense Roller Shaft	1
19	ND0020030	E-snap Ring	1
20	PC2680102	Spring	1
21	PC2680101	Spring	1
22	PB3680101	Pressure Roller	1
23	PT2005006	Dry Metal	2
24	PB0682201	Pressure Roller Shaft	1
25	PE1570300	Dispense Sensor Bracket	1
26	MH0250621	P-tight Screw	1
27	PB2681701	Spacer(B)	1
28	PA0680601	Spacer	1
29	PB0682000	Guide Shaft	1
30	MD0300622	Pan Head Screw	1
31	PA3684900	Paper Guide	1
32	PB1680100	Stay	2
33	MA1250621	Flat Head Screw	4
34	MA1300622	Flat Head Screw	3
35	PA0681300	Spacer	2
36	PA2681900	Dispense Plate	1
37	PA1680400	Nut Plate	2
38	MA1300622	Flat Head Screw	2
39	PH3684302	Dispense Cover	1
40	MD4300822	Pan Head Screw	3
42	MD4300622	Pan Head Screw	1