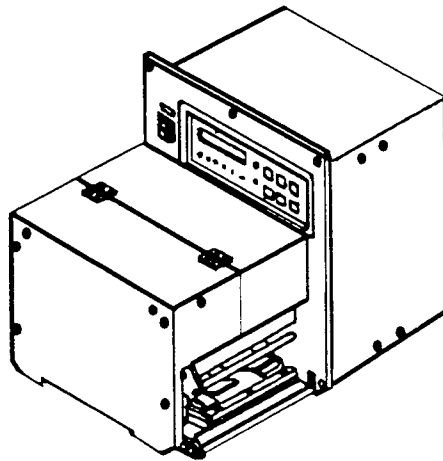




# M-8400S

## Spare Parts List



SATO America, Inc.  
545 Weddell Drive  
Sunnyvale, CA 94089  
Tel (408) 745-1300  
FAX (408) 745-1309

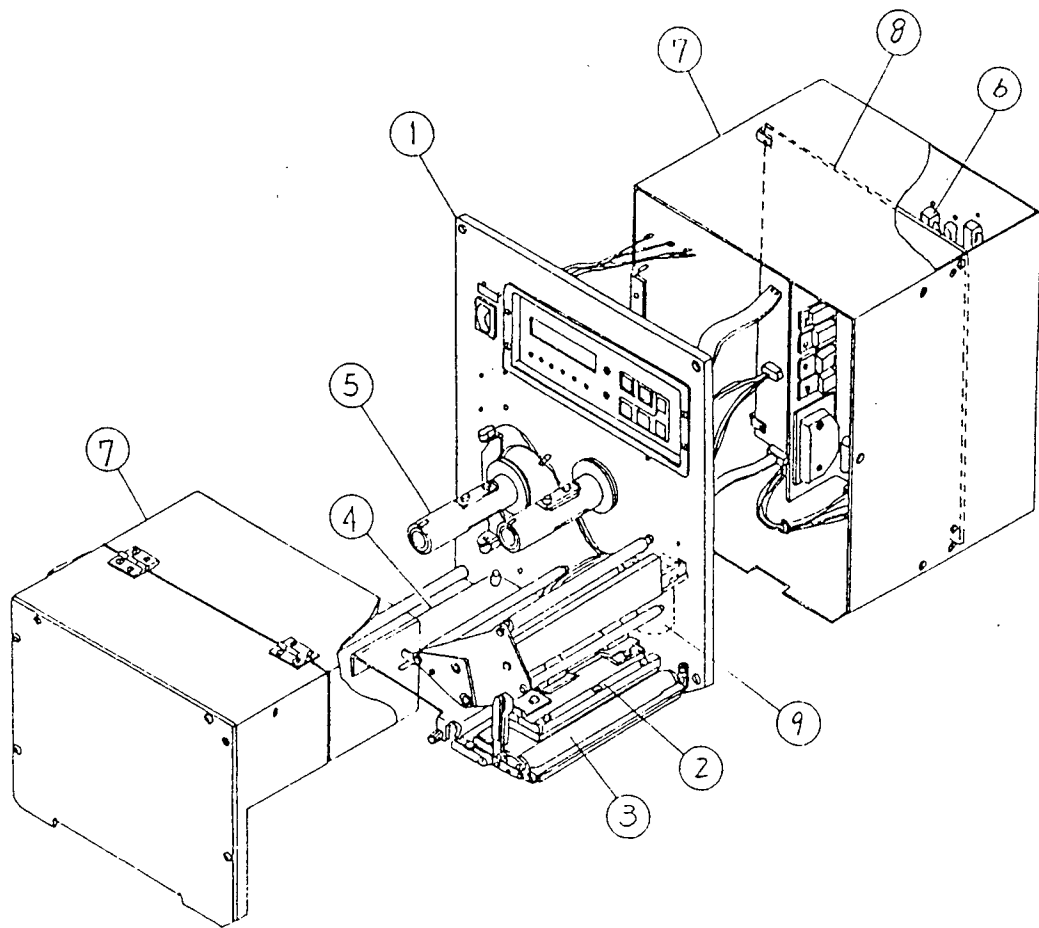
**July 12, 1993**

**© Copyright 1993  
SATO America, Inc.  
Sunnyvale, CA 94089**

All rights reserved. No part of this document may be reproduced or issued to third parties in any form whatever without the express permission of SATO America, Inc. The materials in this document are provided for general information and are subject to change without notice. SATO America, Inc. assumes no responsibility for any errors that may appear.

## M8400S

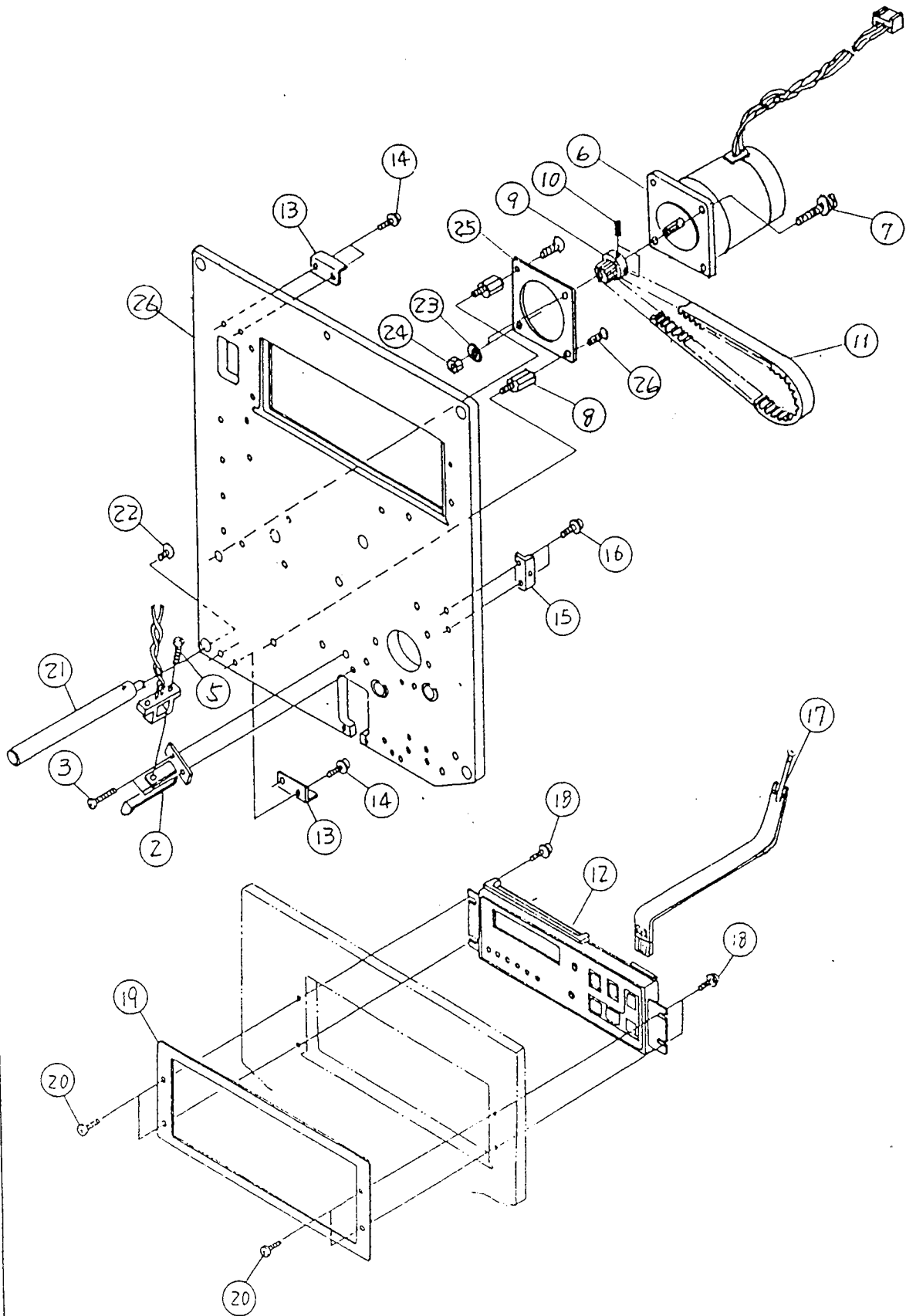
<u>ITEM #</u>	<u>DRAWING #</u>	<u>DESCRIPTION</u>	<u>PAGE #</u>
1	RA1540000	SIDE FRAME ASSEMBLY	2
2	RC0540000	PRINthead ASSEMBLY	4
3	RC1540000	PLATEN ASSEMBLY	8
4	RF0540000	PITCH DETECTION ASSEMBLY	10
5	RC2540000	RIBBON ASSEMBLY	12
6	RA3540000	CABLE ASSEMBLY	14
7	RA2540000	COVER ASSEMBLY	16
8	PCB154100	PCB ASSEMBLY	19
9	RD2541000	RIBBON SAVER ASSEMBLY (OPTION)	21



M8400S

PRINTER ASSEMBLY

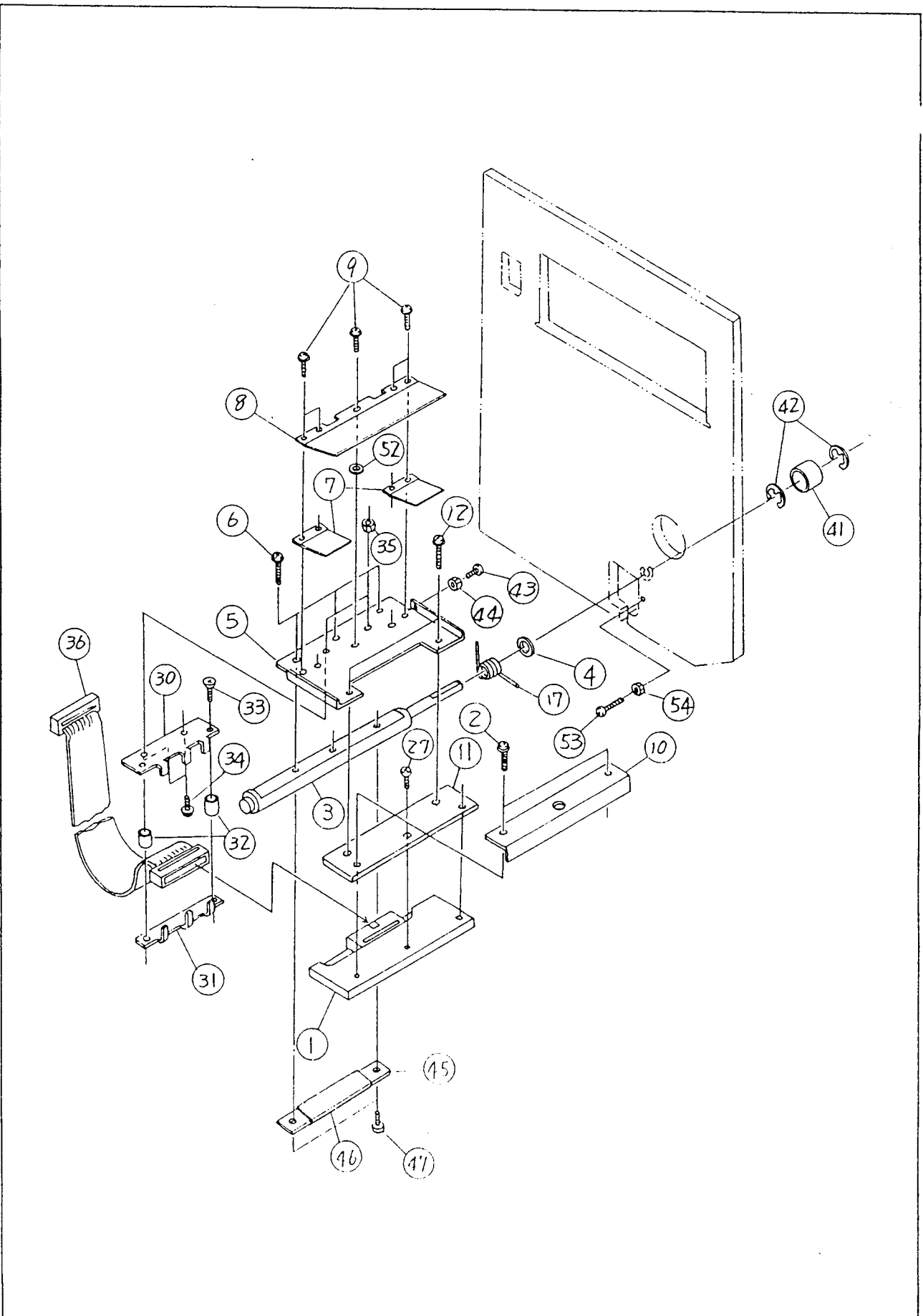
1/24



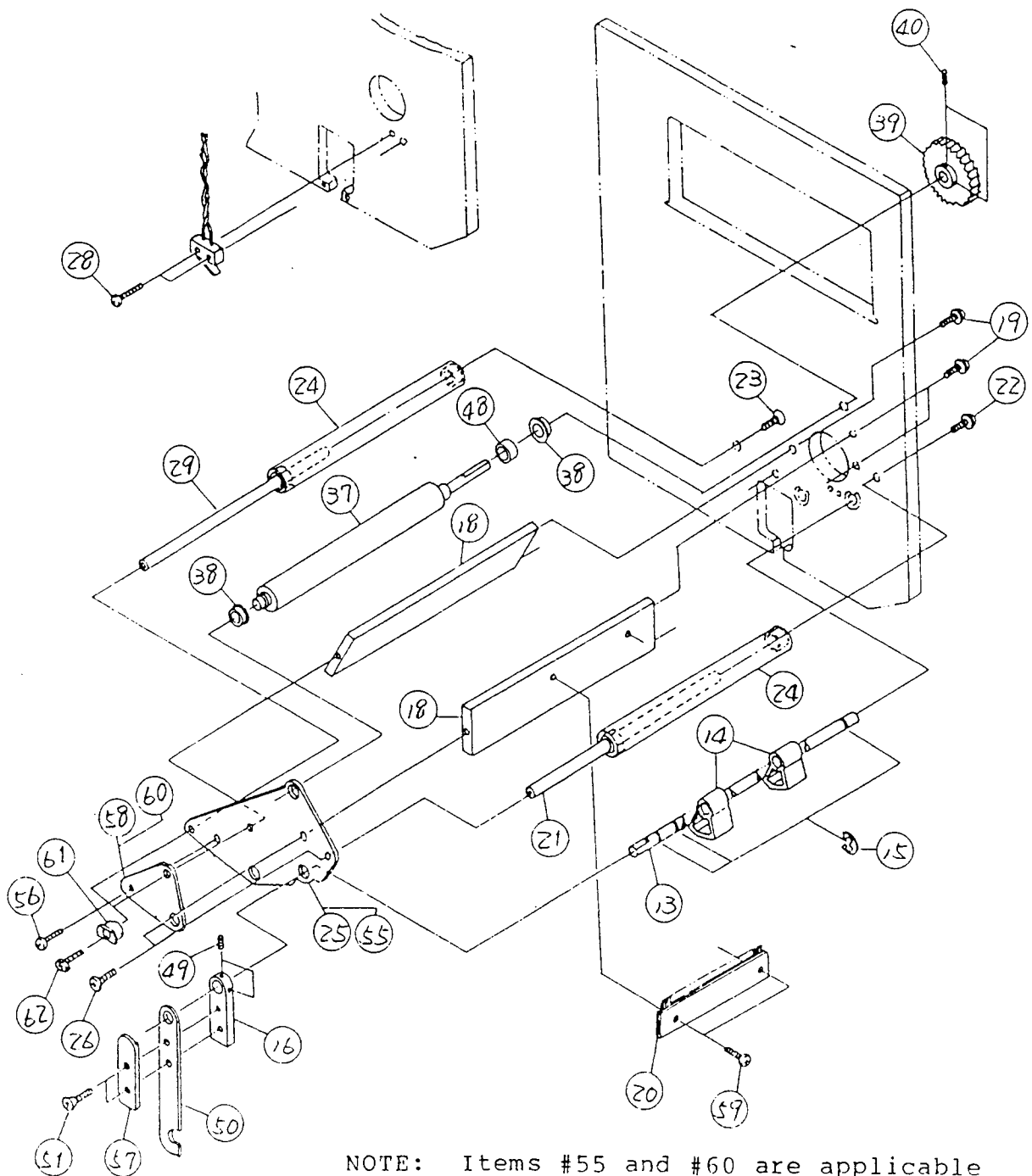
M8400S	SIDE FRAME ASSEMBLY	RA1540000	2/24
--------	---------------------	-----------	------

## M-8400S

Item #	Part Number	Part Name	Qty
02	PA3682700	Sensor bracket	1
03	MD3300622	Pan head screw(2JP3006+SW+WS)	2
05	MD3300622	Pan head screw(2JP3006+SW+WS)	1
06	RF0540600	Motor sub	1
07	MD4401622	Pan head screw(2JP4016+SW+WL)	2
08	PB0540001	Motor post	2
09	PR1540000	Motor pulley	1
10	MJ1300424	W-point screw(M3x4)	2
11	PT8271064	Timing belt	1
12	RJ1691100	Operation switch assy	1
13	PA3540000	Stop bracket	2
14	MD3300822	Pan head screw(2JP3008+SW+WS)	4
15	PA3540100	Sct bracket	1
16	MD3300822	Pan head screw(2JP3008+SW+WS)	2
17	RH1682502	Operation cable set	1
18	MD4300822	Pan head screw(2JP3008+SW+WL)	2
19	PH1540700	OP cover	1
20	MA7300625	Truss screw	2
21	PB0540101	Guide post	1
22	MA1401022	Flat head screw(2JD4010)	1
23	NA1040022	Flat washer(2WL4)	2
24	MT1400722	Hex nut(2N4)	2
25	PA1540500	Motor plate	1
26	PR1541300	Side plate	1



M8400S	PRINthead ASSEMBLY	RC0540000	4/24
--------	--------------------	-----------	------



NOTE: Items #55 and #60 are applicable to printer serial numbers 20300000 and above. Items #25 and #58 are applicable to printer serial number 20299999 and below.

M8400S

PRINthead ASSEMBLY

RC0540000

5/24



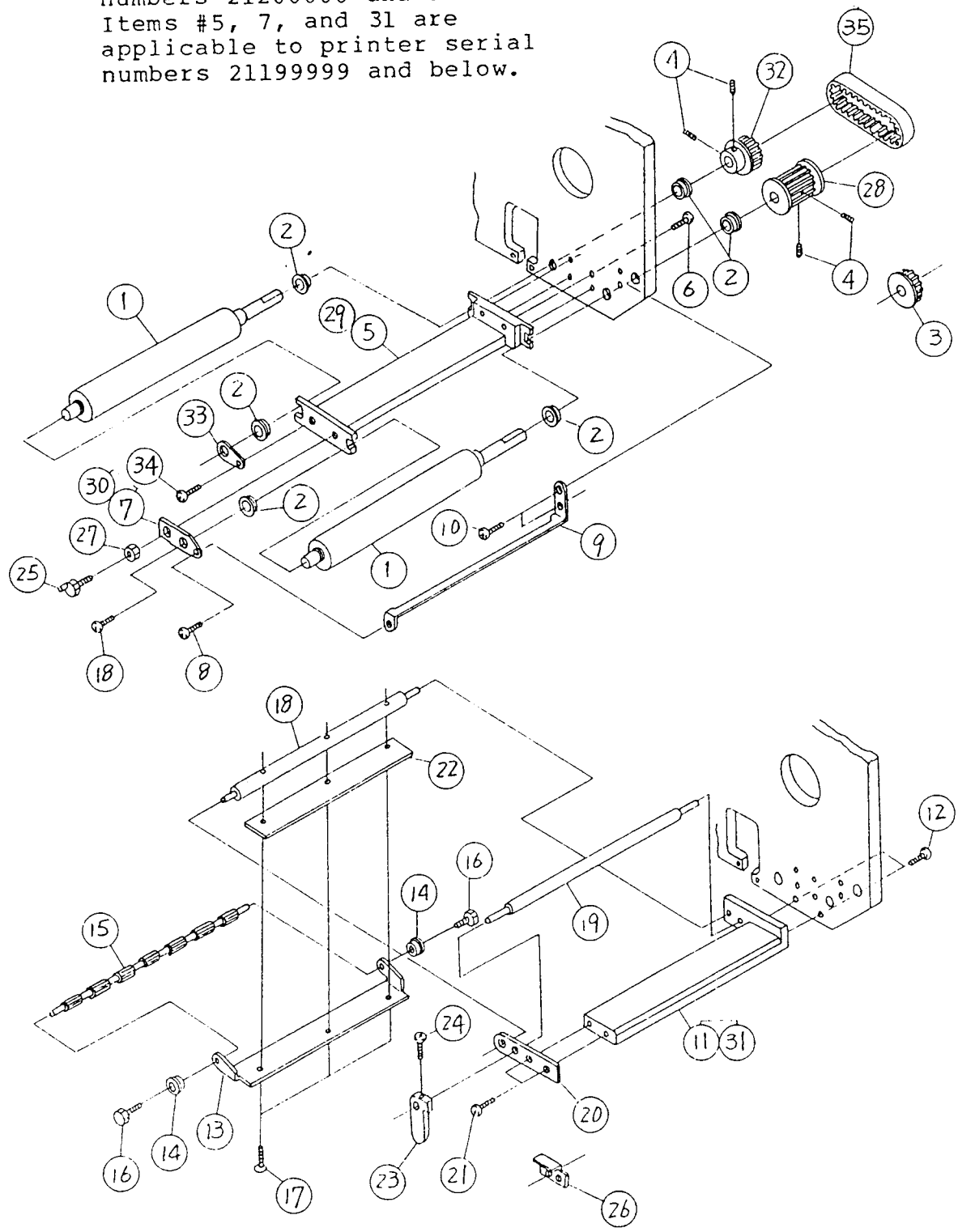
## M-8400S

Item #	Part Number		Part Name	Qty
01	GH000101A		Thermal head/M8400S	1
02	MD4301222		Pan head screw(2JP3012+SW+WL)	2
03	PB0540201		Holder shaft	1
04	PA0680000		Spacer	1
05	PA3540200		Thermal head holder	1
06	MD4401022		Pan head screw(2JP4010+SW+WL)	3
07	PA4550100		Head spring	2
08	PA4540000		Head spring	1
09	MD4300622		Pan head screw(2JP3006+SW+WL)	5
10	PA3540300		Ribbon guide	1
11	PD1540601		Head sub holder	1
12	MA7400622		Truss screw	2
13	PB0540300		Stopper shaft	1
14	PE1600900		Stopper cam	2
15	ND0060030		E-snap ring E-6	4
16	PD1540501		Lever	1
17	PC2540000		Open spring	1
18	PD1540001		Stay (A)	2
19	MD3401622		Pan head screw(2JP4016+SW+WS)	4
20	PR1340500		Anti static brush	1
21	PB0541001		Stay (B)	1
22	MD4401022		Pan head screw(2JP4010+SW+WL)	1
23	MA1300822		Flat head screw(2JD3008)	1
24	PR1540400		Roller	2
25	PA2540001	BF2/92	Head cover(Old)	1
26	MD4400822		Pan head screw(2JP4008+SW+WL)	3
27	MD3301022		Pan head screw(2JP3010+SW+WS)	1
28	MD4201022		Pan head screw(2JP2010+SW+WL)	2
29	PB0541200		Stay	1
30	PA3541200		Connector bracket (A)	1
31	PA3680700		Connector bracket (B)	1
32	PE2680000		Spacer	2
34	MA0300822		Pan head screw(2JP3008)	2
35	MT1300522		Hex nut(2N3)	2
36	RH1540100		Head cable sub	1
37	PR0540000		Platen	1
38	PT1109050		Ball supporter	2
39	PJ0540000		Ribbon gear	1
40	MJ1300524		W-point screw(M3x5)	2
41	PT2010010		Dry metal	1
42	ND0080030		E-snap ring E-8	2
43	MA7300822		Truss screw	1
44	MT1300522		Hex nut(2N3)	1
45	PA1680800		Clamp Plate	1
46	JC208161A		Heat shrink tube	1
47	MD4400822		Pan head screw(2JP4008+SW+WL)	2
48	PB3540500		Spacer	1

## M-8400S

Item #	Part Number		Part Name	Qty
49	MJ1300424		W-point screw(M3x4)	1
50	PA1540300		Lock lever	1
51	MA1300822		Flat head screw(2JD3008)	2
52	NA1030022		Flat washer(2WL3)	1
53	MA0301222		Pan head screw(2JP3012)	1
54	MT1300522		Hex nut(2N3)	1
55	PA2540600	AF3/92	Head cover(B)(New)	1
56	MD4300822		Pan head screw(2JP3008+SW+WL)	1
57	PD1540700		Lever (B)	1
58	PA2540400	BF2/92	Head sub cover(Old)	1
59	MD4300622		Pan head screw(2JP3006+SW+WL)	2
60	PA2540500	AF3/92	Head sub cover(New)	1
61	PB5680100		Adjust nut	2
62	MD4401222		Pan head screw(2JP4012+SW+WL)	2

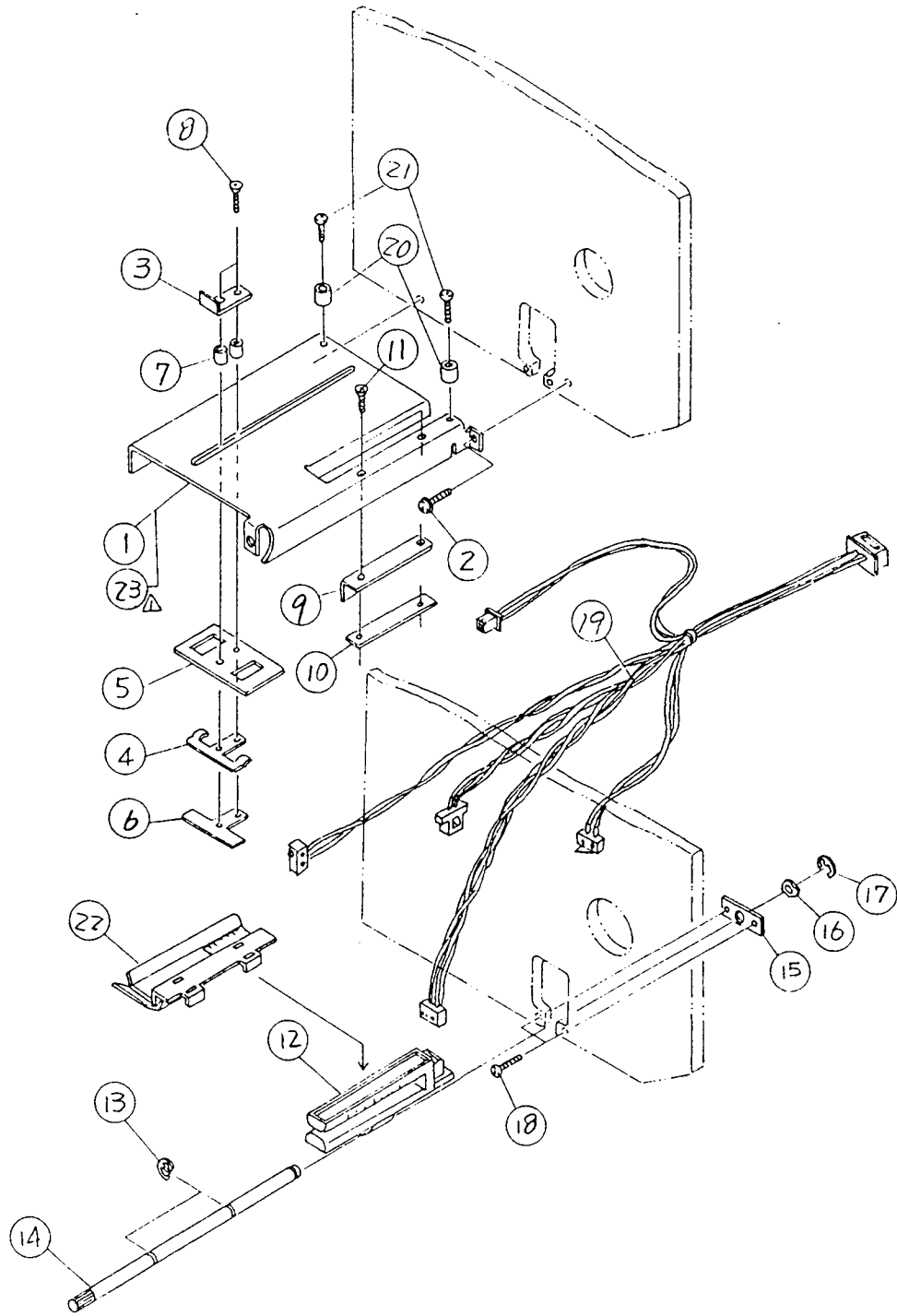
NOTE: Items #11, 29, and 30 are applicable to printer serial numbers 21200000 and above.  
 Items #5, 7, and 31 are applicable to printer serial numbers 21199999 and below.



M8400S	PLATEN ASSEMBLY	RC1540000	8/24
--------	-----------------	-----------	------

## M-8400S

Item #	Part Number		Part Name	Qty
01	PR0540000		Platen	2
02	PT1109050		Ball supporter	6
03	PR1540100		Platen pulley	1
04	MJ1300524		W-point screw(M3x5)	4
05	PD1540100	BF11/92	Platen stay(Old)	1
06	MD3401622		Pan head screw(2JP4016+SW+WS)	4
07	PA1540001	BF11/92	Ball supporter holder(Old)	1
08	MD3400822		Pan head screw(2JP4008+SW+WS)	2
09	PA3540402		Dispenser plate	1
10	MD4250622		Pan head screw(2JP2506+SW+WL)	3
11	PD1540200	BF11/92	Roller stay(Old)	1
12	MD3401622		Pan head screw(2JP4016+SW+WS)	2
13	PA3540500		Pressure roller bracket	1
14	PT1106030		Ball supporter	2
15	PB3540100		Pressure roller	1
16	PB5540000		Set screw(B)	2
17	MA1300822		Flat head screw(2JD3008)	3
18	PB0540501		Roller bracket shaft	1
19	PB0540601		Cam shaft	1
20	PA1540100		Roller holder	1
21	MD0300822		Pan head screw(2JP3008+SW)	2
22	PA4540100		Leaf-spring	1
23	PD1540301		Open lever	1
24	MD0250622		Pan head screw(2JP2506+SW)	1
25	PB0541101		Lock post(A)	1
26	PA3541100		Stopper	1
27	MT1400722		Hex nut(2N4)	1
28	PR1540102		Platen pulley(A)	1
29	PD1541100	AF12/92	Platen stay(New)	1
30	PA1540800	AF12/92	Ball supporter holder(A)(New)	1
31	PD1541200	AF12/92	Roller stay(New)	1
32	PR1541700		Platen pulley (B)	1
33	PA1540900		Ball supporter holder (B)	1
34	MD3300622		Pan head screw(2JP3006+SW+WS)	1
35	PT8080064		Timing belt	1

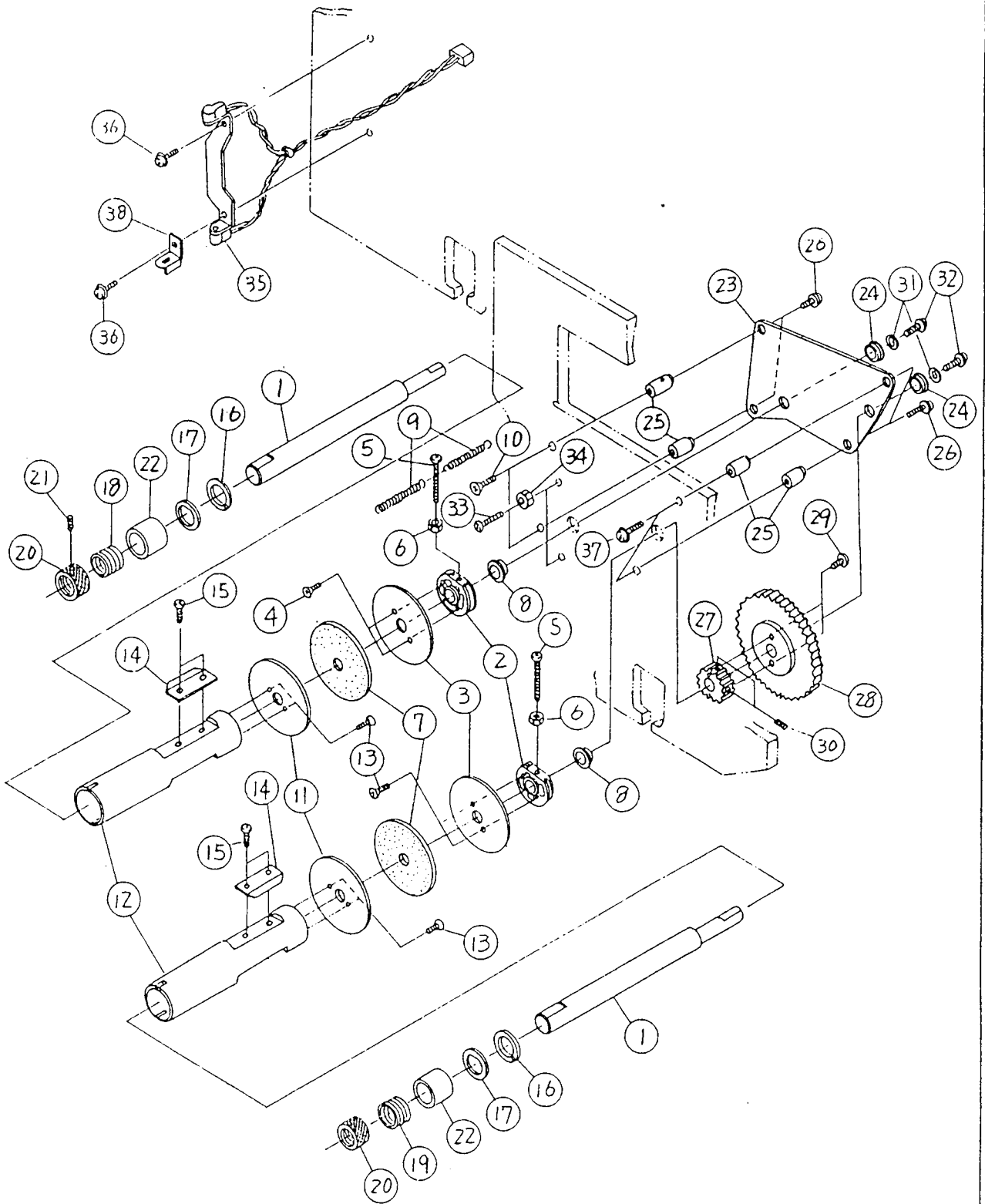


NOTE: Item #23 is applicable to printer  
 S/N 20300000 and above. Item  
 #1 is applicable to printer  
 S/N 20299999 and below.

M8400S	PITCH DETECTION ASSEMBLY	RF0540000	10/24
--------	-----------------------------	-----------	-------

## M-8400S

Item #	Part Number		Part Name	Qty
01	PA3540600	BF11/92	Label guide bracket(Old)	1
02	MD0400822		Pan head screw(2JP4008+SW)	2
03	PA3540700		Bracket	1
04	PA4010100		Friction spring	1
05	PA2540100		Guide plate	1
06	PA1011301		Plate	1
07	PB2010300		Spacer	2
08	MA1250822		Flat head screw(2JD2508)	2
09	PA3540800		Guide plate(Sensor)	1
10	PA2540200		Nut plate	1
11	MA1300622		Flat head screw(2JD3006)	2
12	FC000311A		Sensor unit	1
13	ND0040030		E-snap ring E-4	2
14	PB0540700		Sensor shaft	1
15	PA1540200		Sensor shaft bracket	1
16	NB8040022		Wave washer	1
17	ND0030030		E-snap ring E-3	1
18	MD3300822		Pan head screw(2JP3008+SW+WS)	2
19	RH1540200		Sensor cable	1
20	PE1010400		Guide roller (A)	2
21	MD3300822		Pan head screw(2JP3008+SW+WS)	2
22	PR4540100		Label guide	1
23	PA3542100	AF12/92	Label guide bracket(New)	1

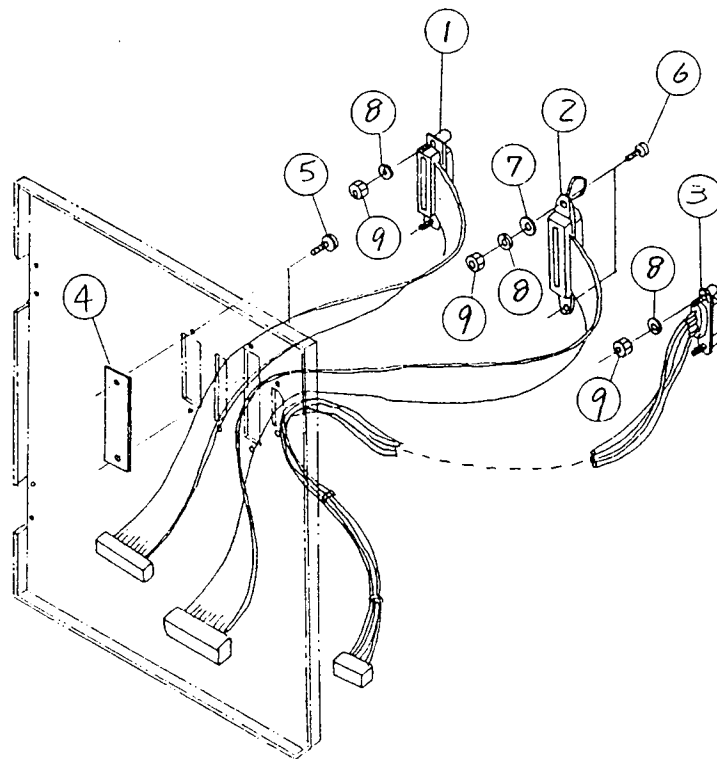


M8400S	RIBBON ASSEMBLY	RC2540000	12/24
--------	-----------------	-----------	-------

## M-8400S

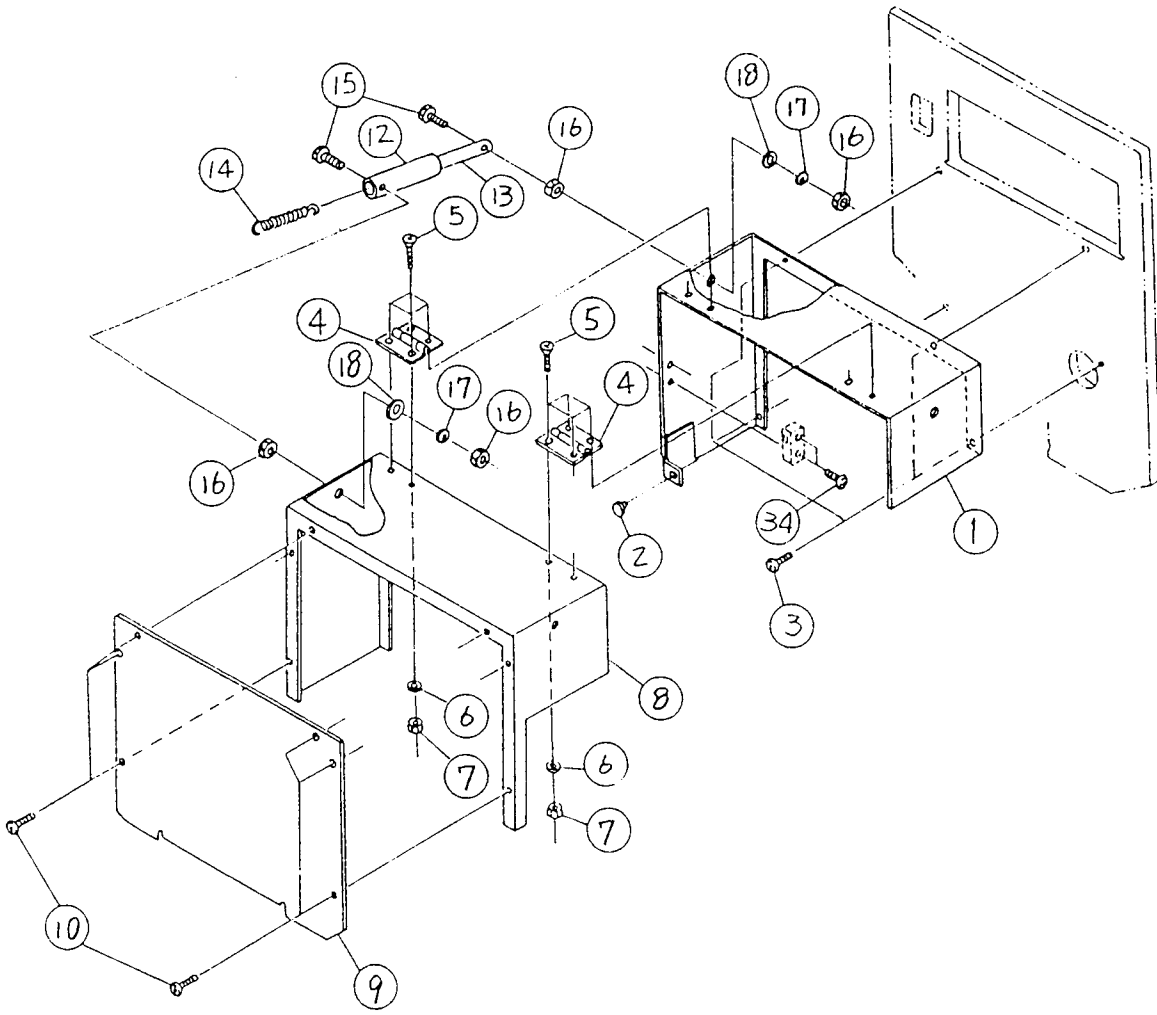
Item #	Part Number	Part Name	Qty
01	PB0681300	Ribbon shaft	2
02	PA0680200	Guide plate (A)	2
03	PE8680200	Tension pulley	2
04	MA1250822	Flat head screw(2JD2508)	4
05	MA0303022	Pan head screw(2JP3030)	2
06	MT1300522	Hex nut(2N3)	2
07	PA0680300	Friction washer	2
08	PT1112080	Ball supporter	2
09	PC0480100	Spring	2
10	MA1401222	Flat head screw(2JD4012)	2
11	PA0680200	Guide plate (A)	2
12	PR1680400	Ribbon boss	2
13	MF1250822	Flat tapping screw(M2.5x8)	4
14	PA4680001	Stopper spring	2
15	MA0300422	Pan head screw(2JP3004)	8
16	PT2301020	Oilless dry metal	2
17	PA0680400	Disc	2
18	PC1680000	Unwind spring	1
19	PC1680100	Rewind spring	1
20	PB2680400	Stop boss	2
21	MJ1300524	W-point screw(M3x5)	2
22	PE2680100	Collar	2
23	PA2540300	Ribbon sub frame	1
24	PT1112080	Ball supporter	2
25	PB0540800	Post	4
26	MD4400822	Pan head screw(2JP4008+SW+WL)	4
27	PJ1540200	Rewind pulley	1
28	PJ0540100	Rewind gear	1
29	MD3251222	Pan head screw(2JP2512+SW+WS)	2
30	MJ1300524	W-point screw(M3x5)	2
31	PA0680500	Spacer	2
32	MD4301022	Pan head screw(2JP3010+SW+WL)	2
33	MA0301222	Pan head screw(2JP3012)	2
34	MT1300522	Hex nut(2N3)	2
35	RH1540300	Near end sensor sub	1
36	MD4300822	Pan head screw(2JP3008+SW+WL)	2
37	MD4401622	Pan head screw(2JP4016+SW+WL)	2
38	FA3090500	Slit	1



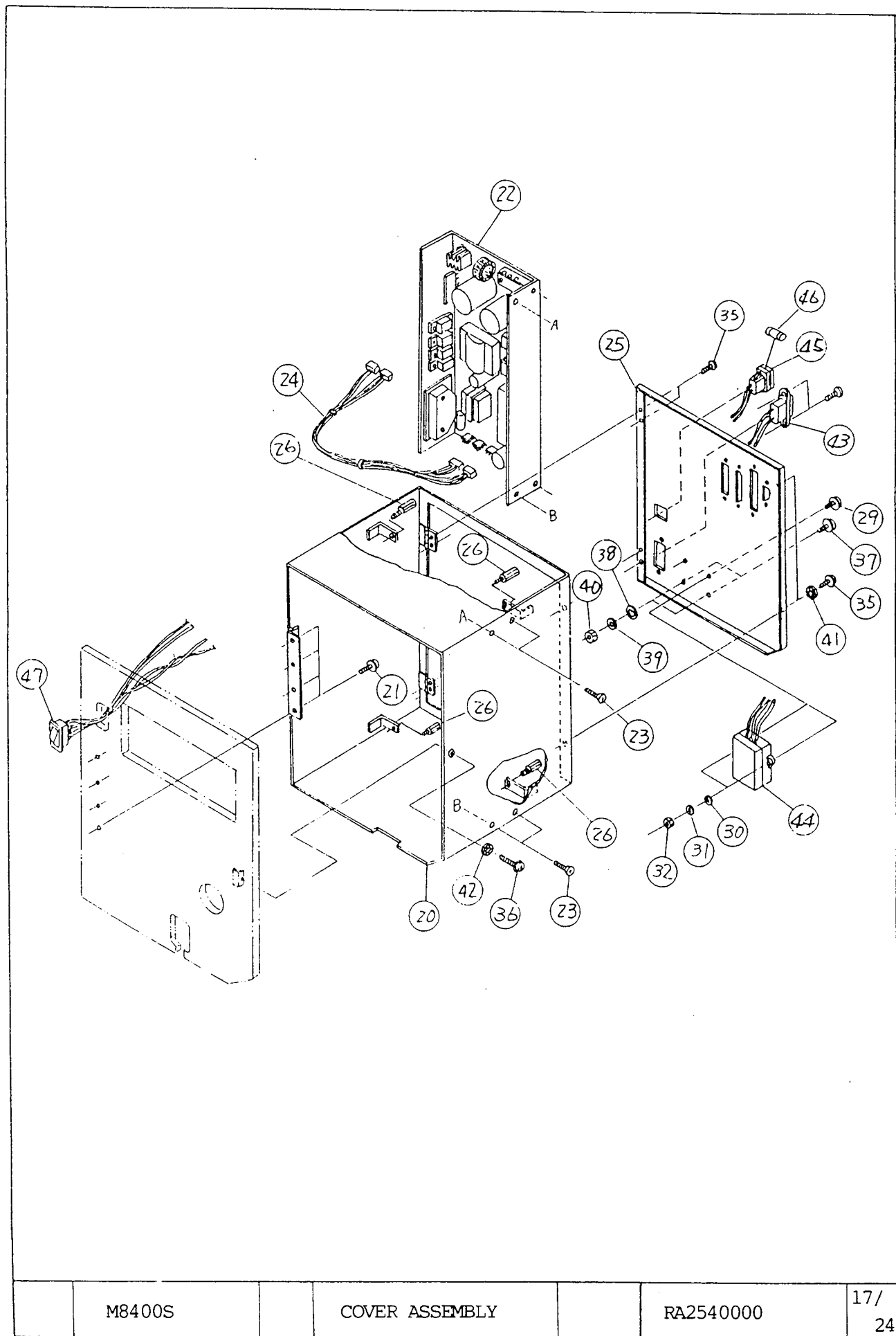


## M-8400S

Item #	Part Number	Part Name	Qty
01	RH1540400	RS cable set	1
02	RH1540500	CENT cable set	1
03	RH1540601	EXT cable set	1
04	PA1540400	Connector cover	1
05	MD4300622	Pan head screw(2JP3006+SW+WL)	2
06	MD4301022	Pan head screw(2JP3010+SW+WL)	2
07	NA1030021	Flat washer(3WL3)	2
08	NB0030022	Spring washer(2SW3)	2
09	MJ1300521	W-point screw(M3x5)	2



M8400S	COVER ASSEMBLY	RA2540000	16/ 24
--------	----------------	-----------	-----------



M8400S

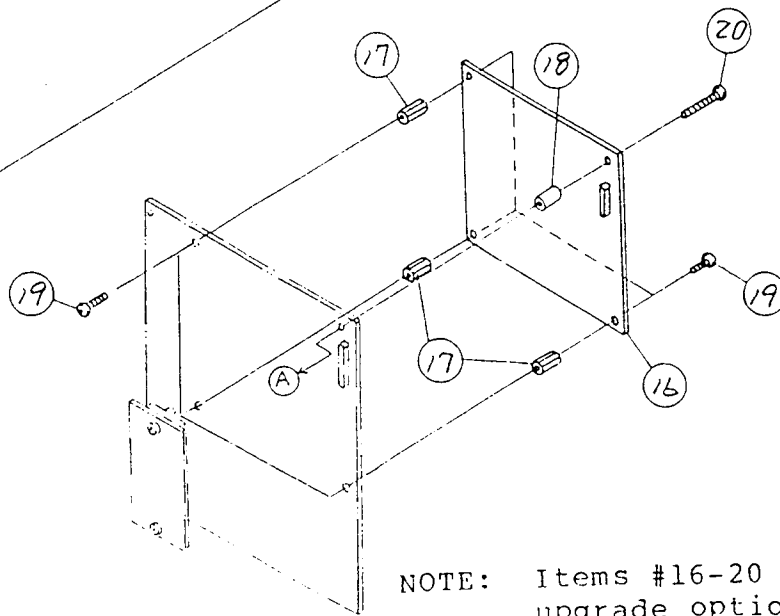
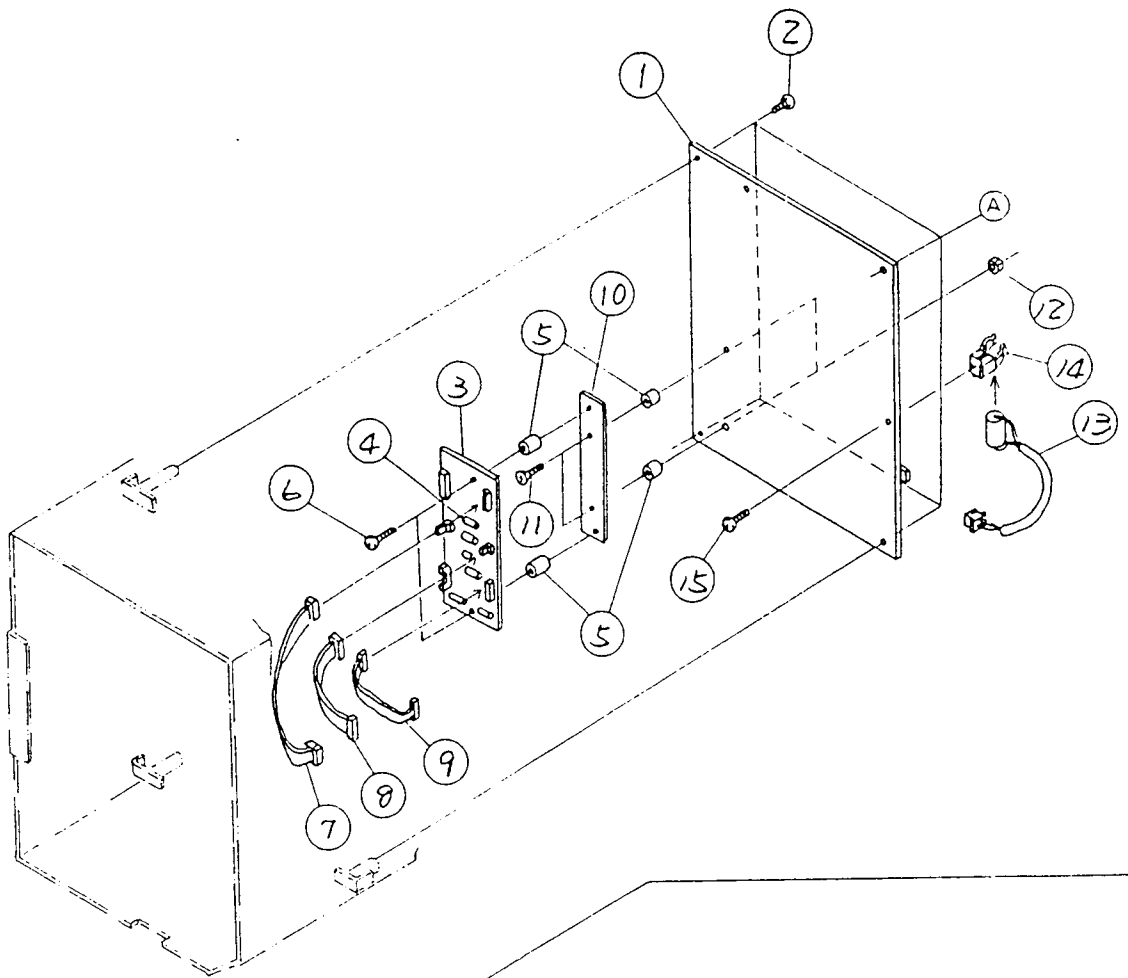
COVER ASSEMBLY

RA2540000

17/  
24

## M-8400S

Item #	Part Number	Part Name	Qty
01	PH1540101	Cover bracket	1
02	PT40700PA	Grommet	1
03	MD3300822	Pan head screw(2JP3008+SW+WS)	4
04	PT30900PA	Hinge	2
05	MA1300822	Flat head screw(2JD3008)	8
06	NA1030022	Flat washer(2WL3)	8
07	MT1300522	Hex nut(2N3)	8
08	PH1540201	Cover stay	1
09	PH2540100	Cover	1
10	MA7300625	Truss screw	6
12	PB2090600	Spring cover (A)	1
13	PB2070000	Spring cover (B)	1
14	PC0090300	Cover spring	1
15	PB0013700	Spring shaft	1
16	MT1601022	Hex nut(2N6)	4
17	NB0060022	Spring washer(2SW6)	2
18	NA1060022	Flat washer(2WL6)	2
20	PH1540800	Rear cover (A)	1
21	MD3300822	Pan head screw(2JP3008+SW+WS)	4
22	KA500041A	Power supply	1
23	MA1400822	Flat head screw(2JD4008)	4
24	RH1540800	DC power cable set	1
25	PH1540401	Rear cover (B)	1
26	PB0540900	PCB post	4
29	MD4301022	Pan head screw(2JP3008+SW+WL)	2
30	NA1030022	Flat washer(2WL3)	2
31	MB0030022	Spring washer	2
32	MT1300522	Hex nut(2N3)	2
34	MA0201022	Pan head screw(2JP2010)	2
35	MD4300822	Pan head screw(2JP3008+SW+WL)	4
36	MD4400822	Pan head screw(2JP4008+SW+WL)(MD4401022)	1
37	MD4401022	Pan head screw(2JP4010+SW+WL)(MD4400822)	2
38	NA1040022	Flat washer(2WL4)	2
39	MB0040021	Spring washer	2
40	MT1400722	Hex nut(2N4)	2
41	NB2030022	Toothed lock washer	2
42	NB2040022	Toothed lock washer	1
43	HJ300011A	Power supply inlet socket	1
44	HJ000011A	Noise filter	1
45	HD500161A	Fuse holder	1
46	HD200031A	Fuse	1
47	GA200061A	Power switch	1

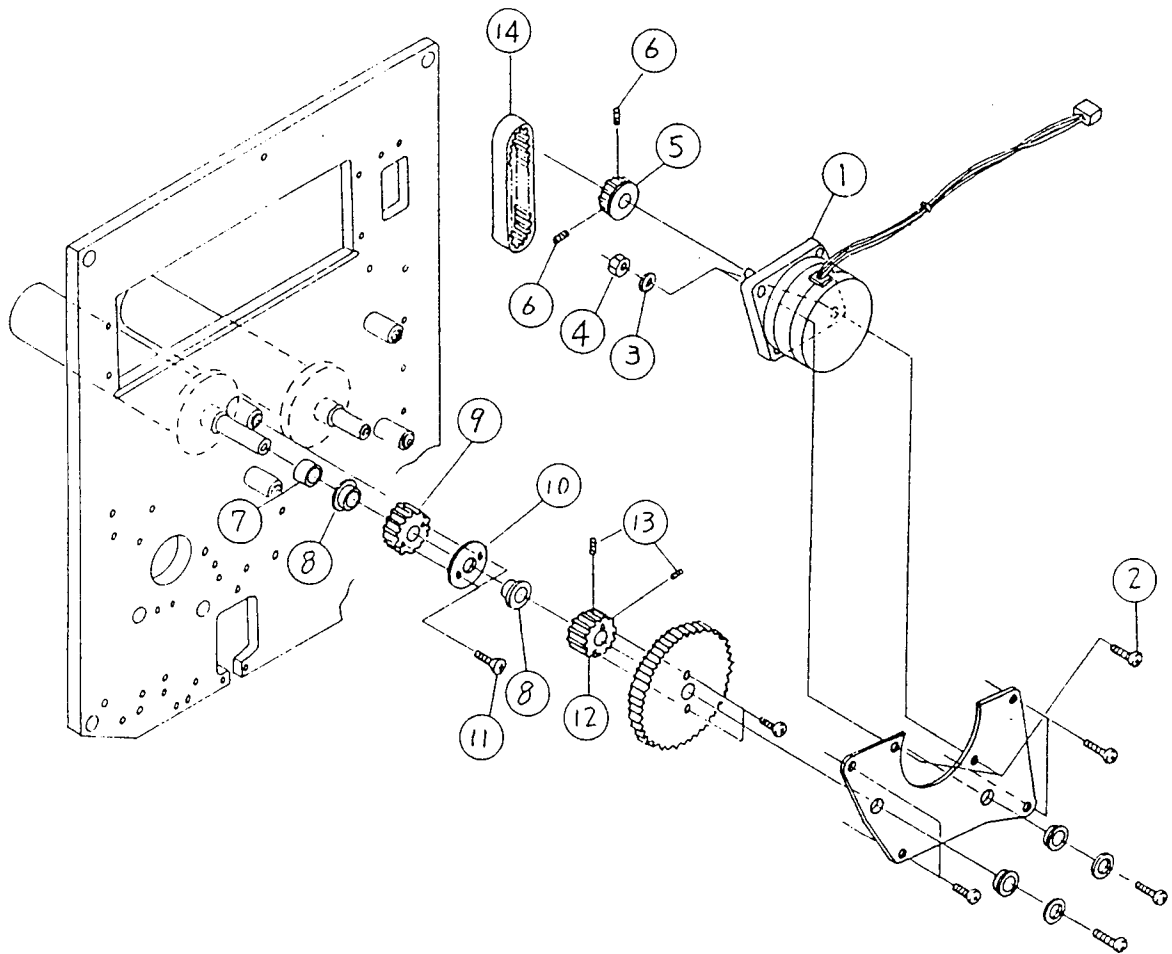


NOTE: Items #16-20 are for M8400S upgrade option.

	M8400S	PCB ASSEMBLY		PCB154100	19/ 24
--	--------	--------------	--	-----------	-----------

## M-8400S

Item #	Part Number	Part Name	Qty
01	RJ1541000	Driver PCB (W/O ROM)	1
02	MD4300822	Pan head screw(2JP3008+SW+WL)	4
03	RJ4680300	Fuse PCB assy	1
04	HD200031A	Fuse	6
05	PT9540000	Spacer (C)	4
06	MD3301222	Pan head screw(2JP3012+SW+WS)	2
07	RH1681800	S-KHD cable sub	1
08	RH1681900	S-STP cable set	1
09	RH1541400	S-EXT cable set	1
10	PA2540700	Set plate	1
11	MA1301222	Flat head screw(2JD3012)	2
12	MT1300522	Hex nut(2N3)	1
13	KA800071A	Lithium Battery	1
14	PE1601301	Battery case	1
15	MF0300822	Pan tapping screw(M3x8)	1
16	RJ1546000	Card PCB assy	1
17	PB0684100	Post	3
18	PB2682200	Spacer	1
19	MD3300622	Pan head screw(2JP3006+SW+WS)	3
20	MD3302022	Pan head screw(2JP3020+SW+WS)	1



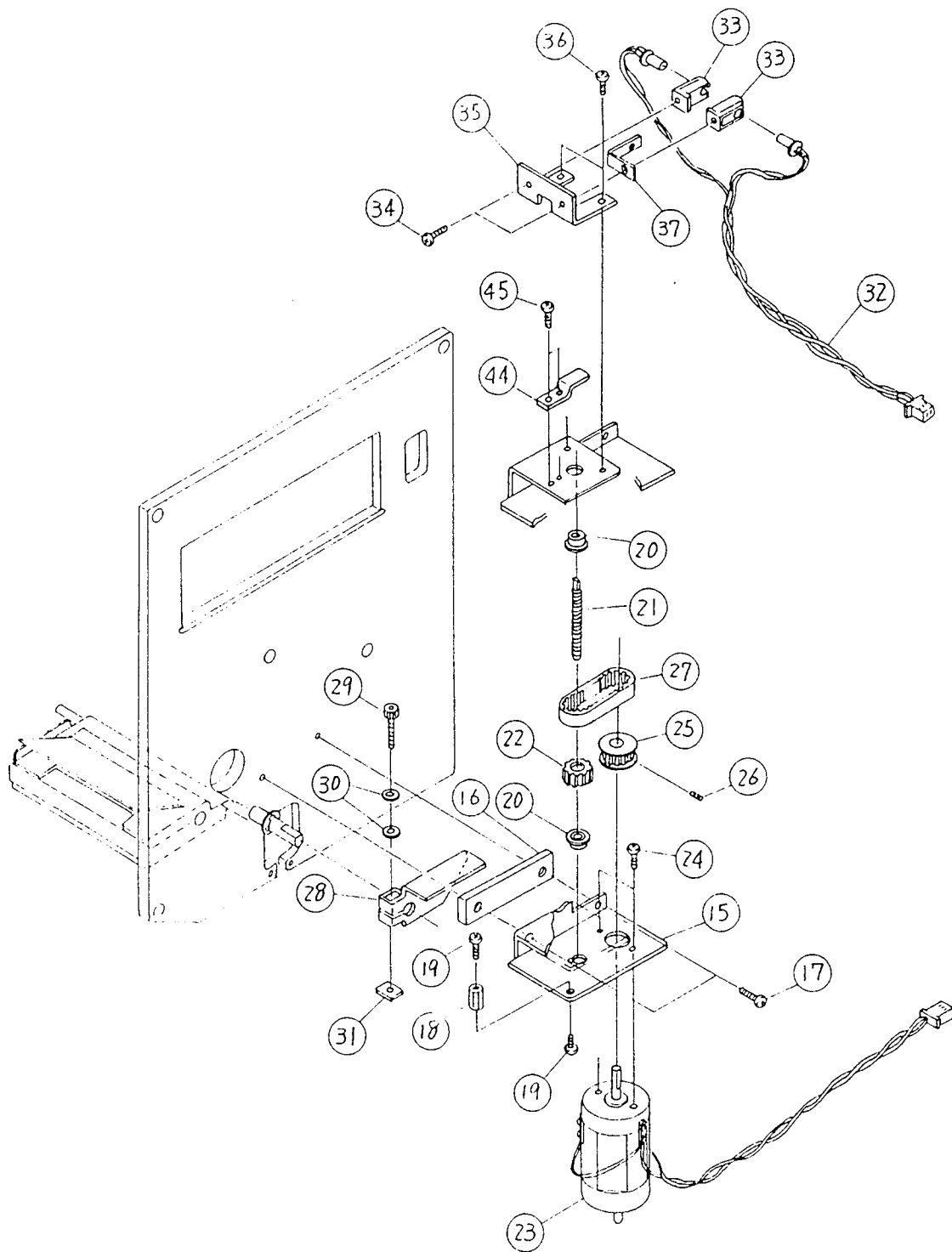
M8400S

RIBBON SAVER OPTION

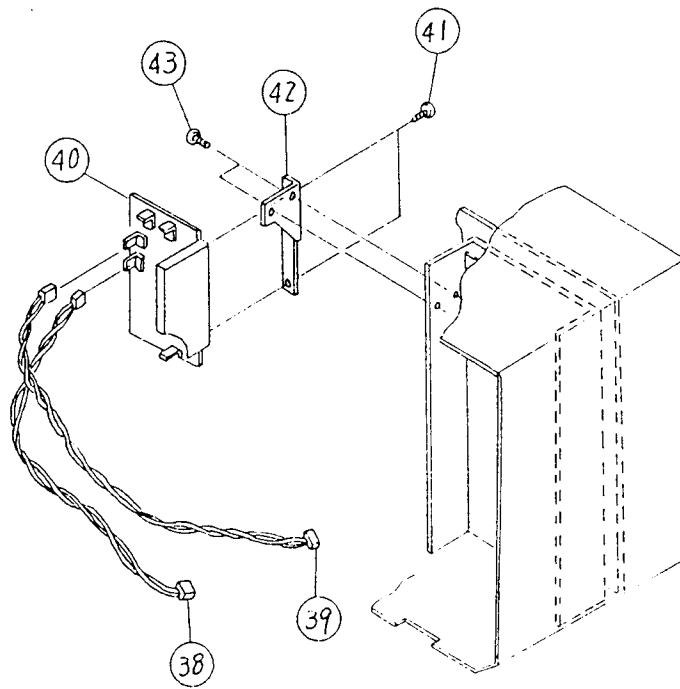
RD2541000

21/  
24





M8400S	RIBBON SAVER OPTION	RD2541000	22/24
--------	---------------------	-----------	-------



## M-8400S

Item #	Part Number	Part Name	Qty
01	RB0540300	Ribbon rewind motor	1
02	MD4401222	Pan head screw(2JP4012+SW+WL)	2
03	NA1040022	Flat washer(2WL4)	2
04	MT3400722	Hex nut(2N4)	2
05	PR1540500	Motor pulley	1
06	MJ1300624	W-point screw(M3x6)	2
07	PB3540600	Spacer	1
08	PT1112080	Ball supporter	2
09	PJ1540400	Idle pulley	1
10	PJ7540200	Flange	1
11	MA1250622	Flat head screw(2JD2506)	2
12	PJ1540501	Rewind pulley	1
13	MJ1300624	W-point screw(M3x6)	2
14	PT8097064	Timing belt	1
15	PA3540900	Gear bracket	1
16	PD0540100	Spacer	1
17	MD4402222	Pan head screw(2JP4022+SW+WL)	2
18	PB0684000	Post	1
19	MD4300622	Pan head screw(2JP3006+SW+WL)	2
20	PT1111050	Ball supporter	2
21	PB9680000	Push screw	1
22	PR1681001	Driven pulley	1
23	RB0540200	Lift up motor sub	1
24	MD4300622	Pan head screw(2JP3006+SW+WL)	2
25	PR1681101	Motor pulley	1
26	MJ1300624	W-point screw(M3x6)	1
27	PT8056065	Timing belt	1
28	PA3541002	Headup lever	1
29	MM0402022	Hex hole bolt(2JJ4020)	1
30	NA1040022	Flat washer(2WL4)	1
31	PA1680700	Nut plate	1
32	RF0540700	Lift up sensor set	1
33	PE1570300	Dispense sensor bracket	2
34	MF0250822	Pan tapping screw(M2.5x8)	2
35	PA3541400	Sensor bracket	1
36	MD4300622	Pan head screw(2JP3006+SW+WL)	2
37	PA3684500	Slit	1
38	RH1541200	Lift up cable sub	1
39	RH1541300	Lift up power cable sub	1
40	RJ1682500	Lift up PCB sub	1
41	MD4300822	Pan head screw(2JP3008+SW+WL)	2
42	PA3541600	PCB bracket	1
43	MD4400822	Pan head screw(2JP4008+SW+WL)(MD4401022)	2
44	PA3682000	Screw holder	1
45	MD4300622	Pan head screw(2JP3006+SW+WL)	2