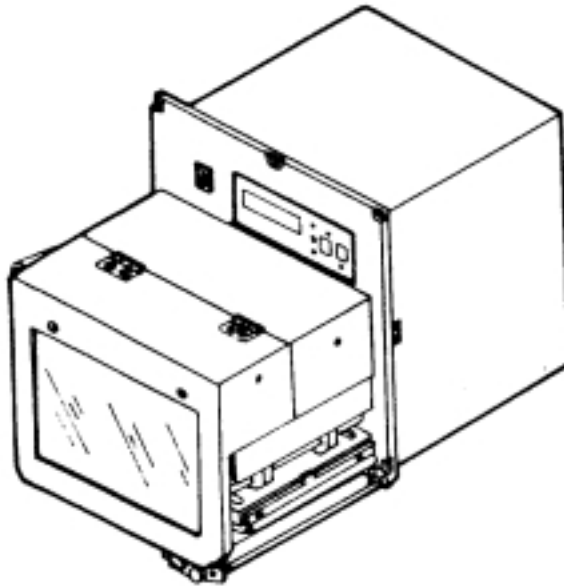




M8459S Parts List



**SATO America, Inc.
10350-A Nations Ford Rd.
Charlotte, NC 28273
Phone (704) 644-1650
Fax (704) 644-1662**

REV. B

P/N 9001048

M8459S

<u>Description</u>	<u>Page #</u>
Frame Assembly	3-7
Thermal Head Assembly	8-10
Feed Roller Assembly	11-14
Pressure Roller Assembly	15-16
Cover Assembly	17-19
Main PCB Assembly	20-20
Check PCB Assembly	21-21
Memory PCB Assembly (Option)	22-22

M8459S

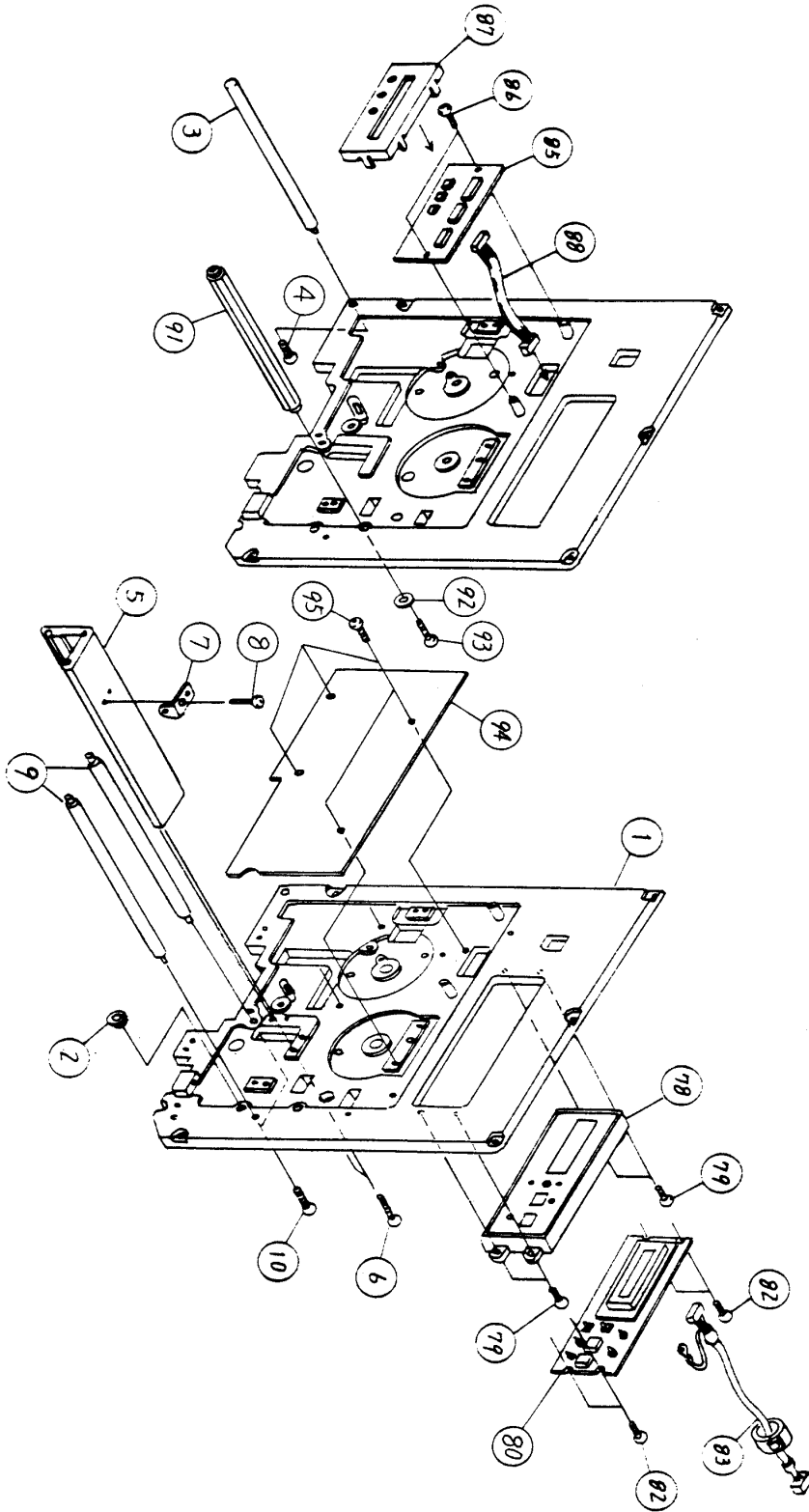
Frame Assembly			
Item #	Part Number	Description	QTY
1	PL1730700	Engine frame	1
2	PT2108006	Dry metal	1
3	PB0540101	Guide post	1
4	MC0401022	Pan head screw	1
5	PR1731200	Stay	1
6	MC0401222	Pan head screw	2
7	PA3732500	Spring bracket	1
8	MC0300622	Pan head screw	1
9	PB0731500	Shaft (support)	1
10	MC0401022	Pan head screw	2
13	PA3736200	Dispense bar bracket	1
14	MN0300824	Hex bolt	1
15	PD1731300	Dispense bar	1
16	MN0300624	Hex bolt	1
19	PB0733500	Shaft (holder)	1
20	NB0040022	Wave washer	2
21	PA4730500	Plate spring	2
22	PL1730800	Platen frame	2
23	PR0730100	Platen roller	2
24	PB2730100	Collar	2
25	MJ1300424	W-point screw	2
26	PT1112060	Ball supporter	2
27	PT1109050	Ball supporter	2
28	PA3736301	Supporter clamp	1
29	MN0400824	Hex bolt	2
31	PB0730500	Post (latch)	1
32	PB2740100	Collar	1
33	PE3720300	Roller	1
34	MD4301222	pan head screw	1
35	PA3736400	Latch handle (holder)	1
36	PB0733400	Shaft (latch handle)	1
37	PC3730102	Sparing (latch handle)	1
38	PE1730700	Handle (C)	1
39	NG2201030	Pin	1
40	ND0030030	E-snap ring	2
43	MN0402524	Hex bolt	2

M8459S

Frame Assembly			
Item #	Part Number	Description	QTY
44	MN0401624	Hex bolt	1
45	MN0401024	Hex bolt	1
46	PE8730200	Pulley	2
47	ND0040030	E-snap ring	2
49	PA3734800	Pulley bracket	1
50	PA2730700	Plate nut	1
51	PB0731600	Shaft (roller)	1
52	PR1730600	Tension roller	1
53	ND0040030	E-snap ring	1
54	MD4402022	Pan head screw	2
55	PT8190064	Timing belt	1
56	PL1720100	Motor pulley	1
57	MJ1400524	W-point screw	2
58	RH1730600	Stepper motor assy	1
59	MC0401222	Pan head screw	2
78	PR4730300	Key board cover	1
79	MD4301222	Pan head screw	4
80	RJ2730200	Key board PCB set	1
82	MH0300821	P-tight screw	4
83	RH1731300	PSW cable	1
85	RJ2730100	DSW PCB set	1
86	MD3300822	Pan head screw	2
87	PH0730200	DSW cover	1
88	RH1731600	DSW cable set	1
91	PB0734700	Shaft (cover bracket)	1
92	PA0730300	Washer	1
93	MC0401022	Pan head screw	1
94	PA2730400	Plate	1
95	MD4300622	Pan head screw	4
96	PA1730601	Ribbon frame	1
97	PV9730100	Bushing	1
98	MC0401022	Pan head screw	4

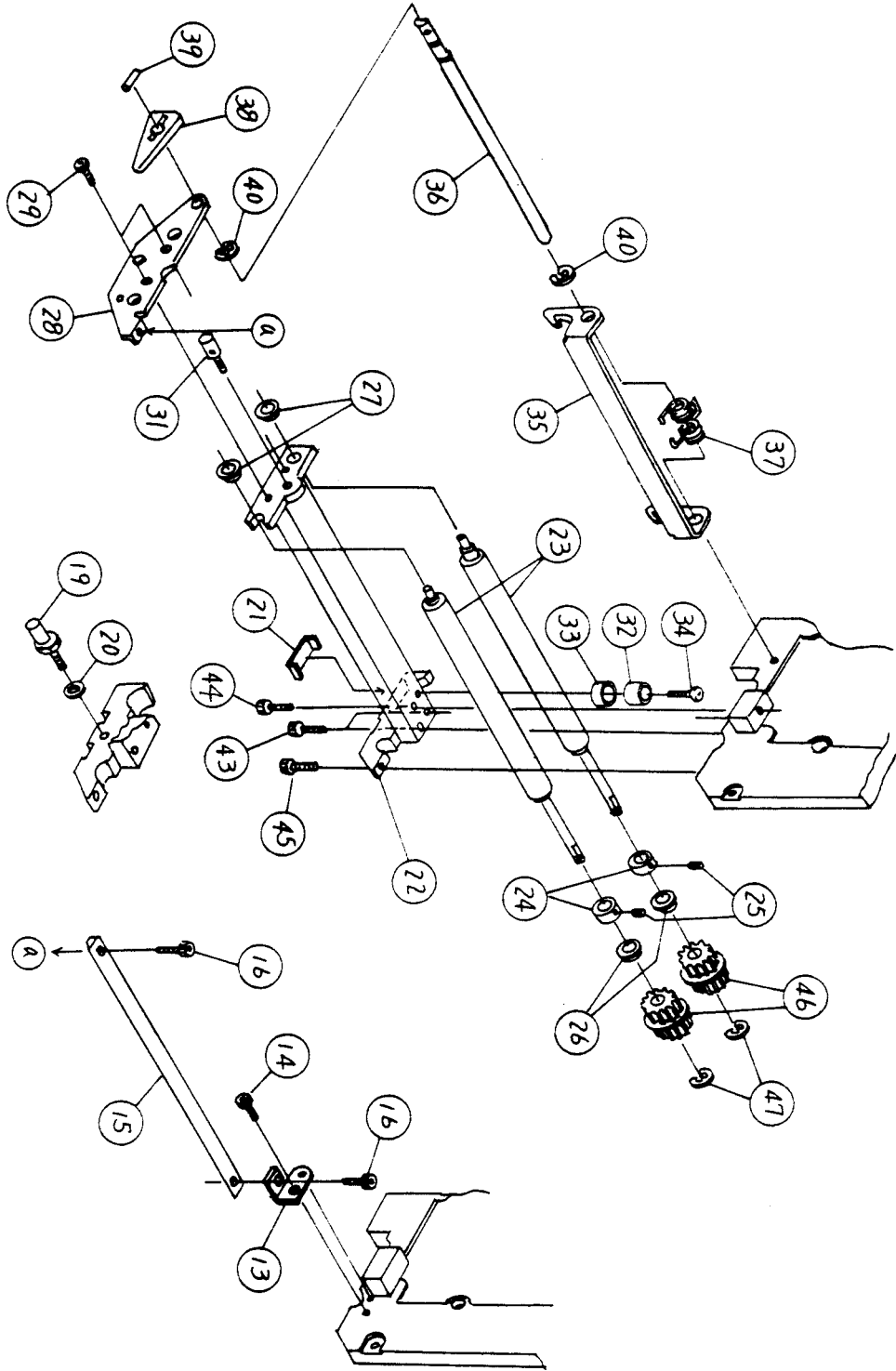
M8459S

Frame Assembly



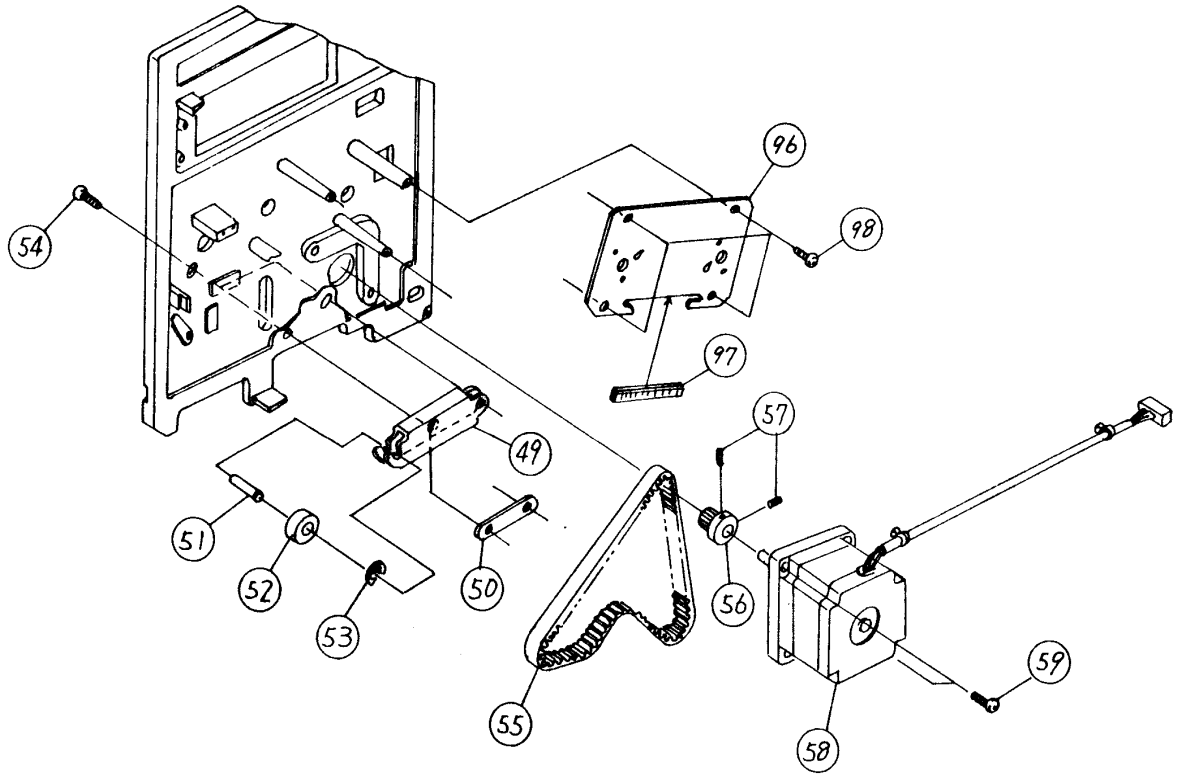
M8459S

Frame Assembly



M8459S

Frame Assembly



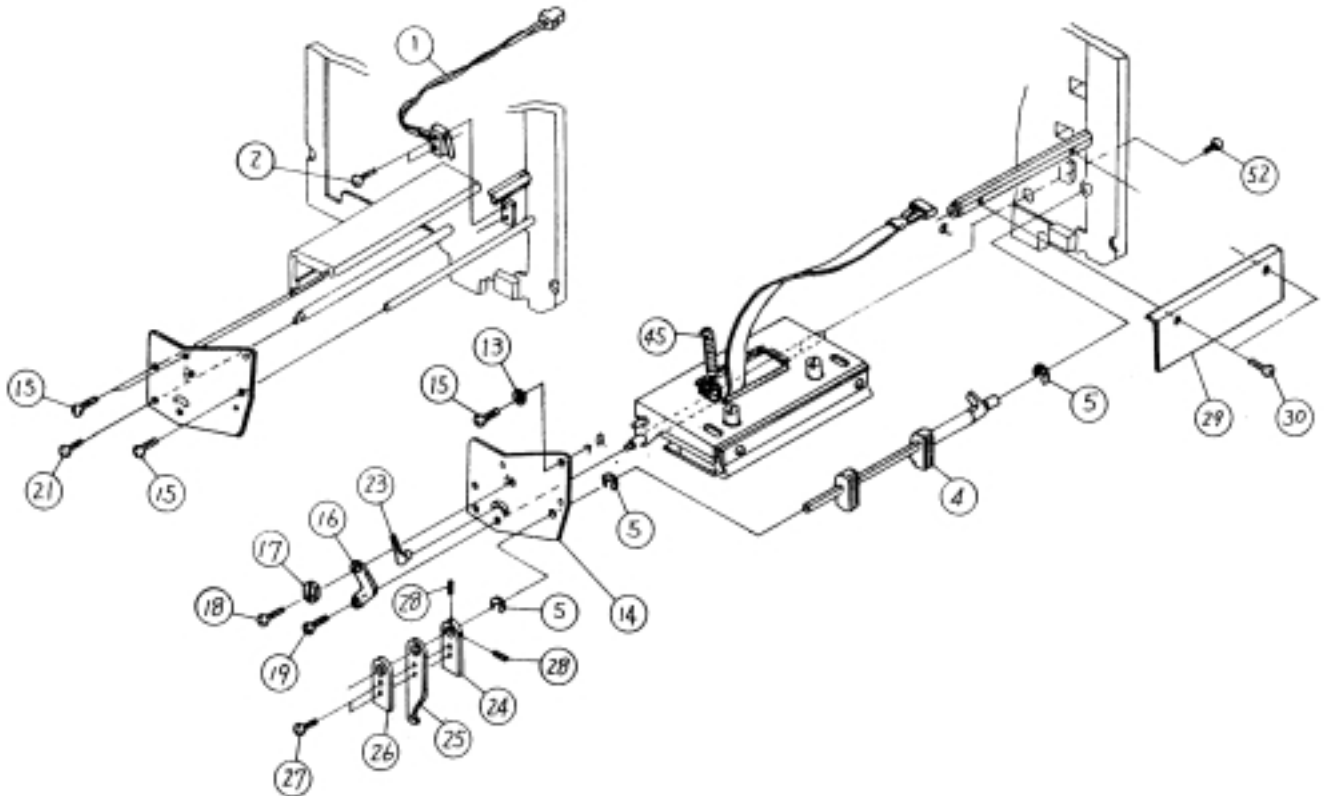
M8459S

Thermal Head Assembly			
Item #	Part Number	Description	QTY
1	RH1731100	SEN5 cable	1
2	MD3201221	Pan head screw	2
4	PR1733400	Pressure cam	1
5	ND0060030	E-snap ring	3
13	PA0730300	Washer	1
14	PA2730200	Head frame	1
15	MC0401022	Pan head screw	3
16	PA1730300	Plate (adjust)	1
17	PL2720100	Adjust collar	1
18	MD4300822	Pan head screw	1
19	MC0401022	Pan head screw	1
21	MC0401022	Pan head screw	1
23	PE1730400	Handle (B)	1
24	PD1730600	Handle (A)	1
25	PA2730600	Latch handle (C)	1
26	PD1731200	Handle (B)	1
27	MD4301022	Pan head screw	2
28	MJ1300424	W-point screw	2
29	PA3733200	Lid (cover)	1
30	MD4300622	Pan head screw	1
31	PA3733300	Head bracket (up)	1
32	PV9730300	Bushing	1
33	PB0733800	Shaft (adjust cam)	1
34	PE1730300	Adjust cam	2
35	ND0050030	E-snap ring	2
36	PC1730200	Spring (head)	2
37	PR4730400	Head bracket (low)	1
38	PR1731300	Adjust plate (head)	1
39	MD4300622	Pan head screw	2
40	PB0733300	Shaft (head bracket)	1
41	ND0070030	E-snap ring	2
42	PA3732100	Ribbon plate	1
43	MD3250522	Pan head screw	2

M8459S

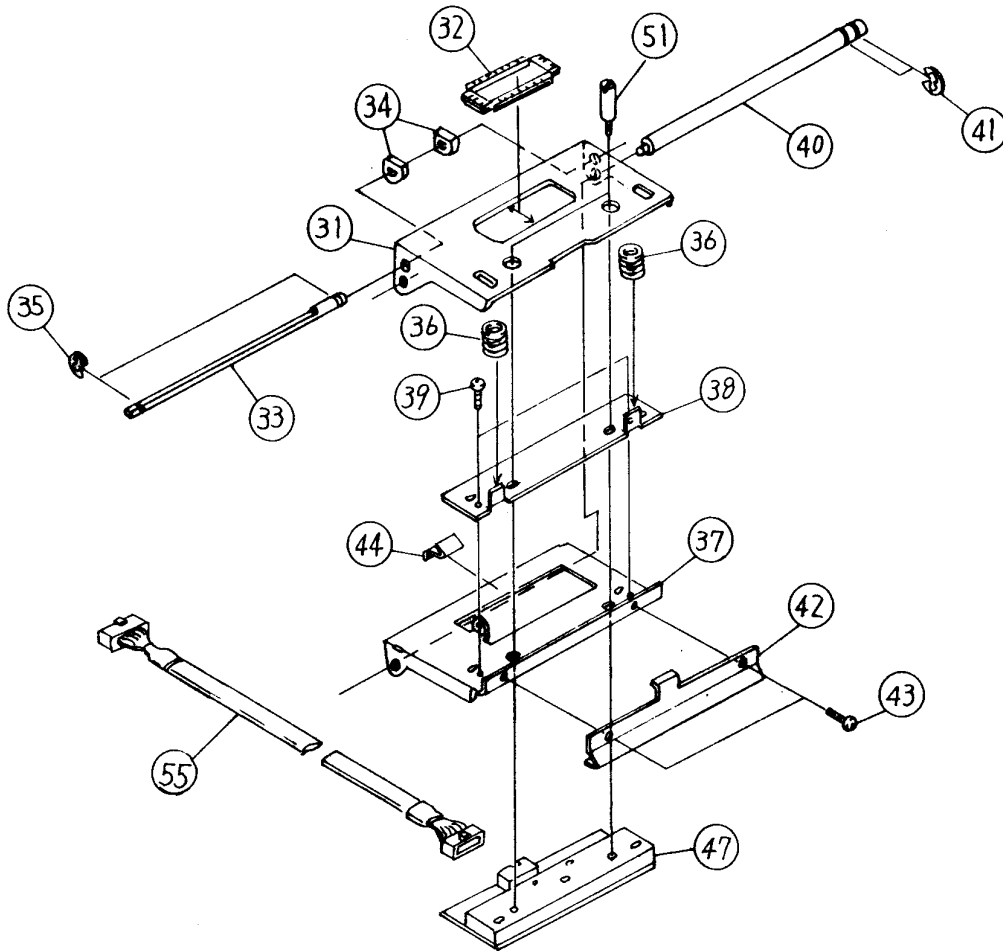
44	PA4730401	Plate spring (head cam)	1
45	PC0730200	Spring (head open)	1
47	GH000651A	Printhead assy.	1

Thermal Head Assembly			
Item #	Part Number	Description	QTY
51	PB5730300	Screw (head)	2
52	MC0401022	Pan head screw	1
55	RH1731700	HDS cable	1



M8459S

Thermal Head Assembly



M8459S

M8459S

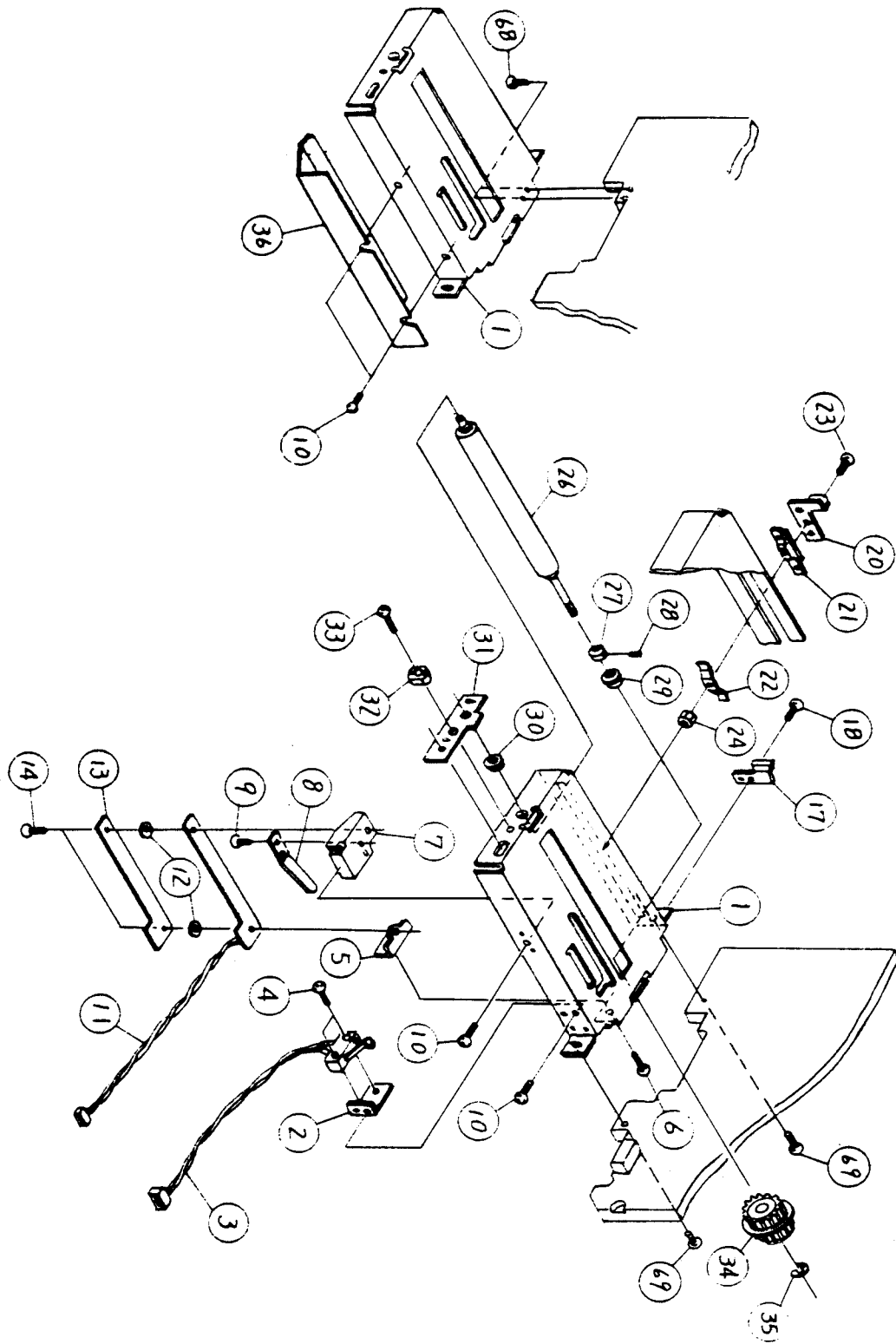
Feed Roller Assembly			
Item #	Part Number	Description	QTY
1	PR4731400	Paper guide bracket	1
2	PA3732700	Micro switch bracket	1
3	RH1731500	SEN7 cable	1
4	MA0200821	Pan head screw	2
5	PA3730500	PCB bracket (C)	1
6	MC0300622	Pan head screw	1
7	PA3730600	PCB bracket (D)	1
8	PA4730200	Lift spring	1
9	MD4300622	Pan head screw	1
10	MD4300622	Pan head screw	2
11	RH1730900	SEN 1 cable	1
12	PT9680500	Spacer	2
13	PA1730800	PCB protector	1
14	MD4300822	Pan head screw	2
17	PA3731500	Paper guide (L)	1
18	MJ9300622	Screw	1
20	PA3731600	Slide guide	1
21	PE1730200	Slider	1
22	PA4730100	Slide spring	1
23	MA0301022	Pan head screw	1
24	MT1300522	Hex nut	1
26	PR0730100	Platen assy.	1
27	PB2730100	Collar	1
28	MJ1300424	W-point screw	1
29	PT1112060	Ball supporter	1
30	PT1109050	Ball supporter	1
31	PA1730100	Supporter clamp	1
32	PL2720100	Adjust collar	1
33	MD4300822	Pan head screw	1
34	PE8730200	Pulley	1
35	ND0040030	E-snap ring	1
36	PA3734600	Paper guide	1
40	PA3731100	Paper lid	1
41	PA3734700	Lid bracket	1
42	PB0731000	Shaft (lid)	1
43	PC2730200	Spring	1

M8459S

Feed Roller Assembly			
Item #	Part Number	Description	QTY
44	ND0020030	E-snap ring	2
45	PA3731700	Latch handle	1
46	PB0730900	Shaft (latch)	1
47	PC2730100	Spring (latch)	1
48	ND0020030	E-snap ring	2
49	PA3731200	Sensor bracket (pitch)	1
50	RH1731000	SEN 2 cable	1
51	MD4300622	Pan head screw	2
52	MJ9300622	Screw	2
55	PA3731000	Paper lid	1
56	MA0301022	Pan head screw	2
57	MT1300522	Hex nut	2
58	PE2730300	Stopper collar	2
59	PC1730300	Spring (pressure)	2
61	PA3731300	Roller bracket	1
62	PB0730800	Shaft (pressure roller)	1
63	PE3720200	Roller	4
64	PE3720500	Roller	4
65	MA0300422	Pan head screw	2
66	MC0300622	Pan head screw	2
67	MN0300624	Hex bolt	2
68	MN0300824	Hex bolt	2
69	MN0400824	Hex bolt	2

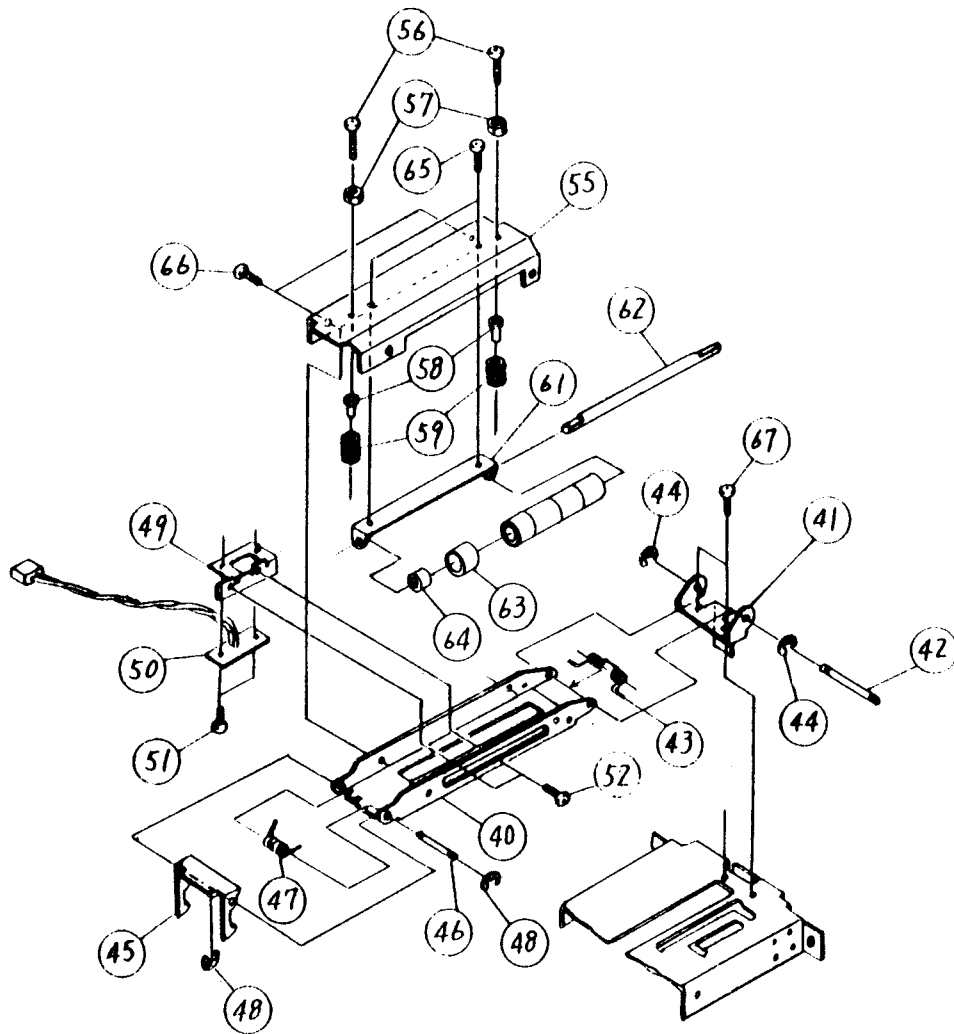
M8459S

Feed Roller Assembly



M8459S

Feed Roller Assembly

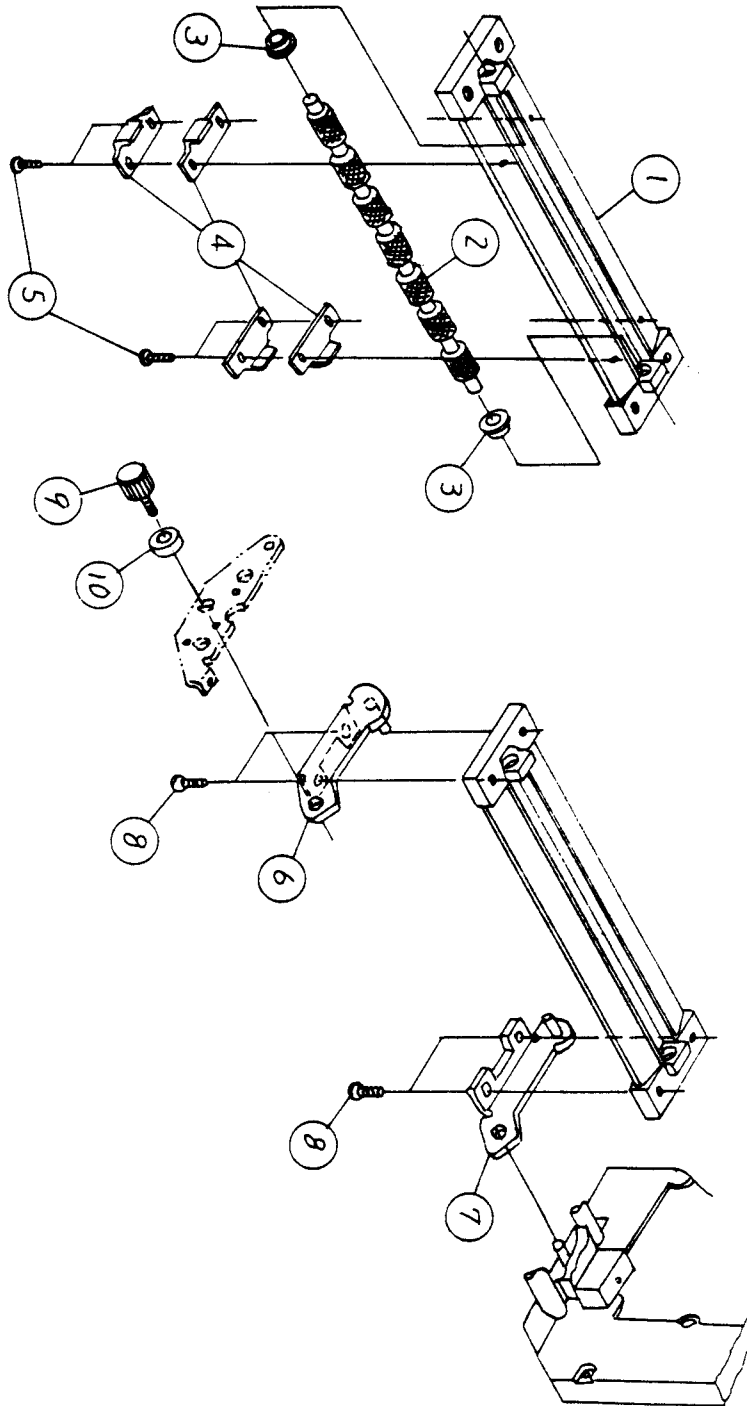


M8459S

Pressure Roller Assembly			
Item #	Part Number	Description	QTY
1	PL1730900	Roller holder (pressure)	1
2	PB0731800	Pressure roller	1
3	PT1108040	Ball supporter	2
4	PA4730300	Plate spring	4
5	MJ9300622	Screw	4
6	PR1732800	Plate (holder F)	1
7	PR1732900	Plate (holder R)	1
8	MA1300822	Flat head screw	4
9	PB0733601	Screw (holder)	1
10	PE2730600	Collar	1

M8459S

Pressure Roller Assembly

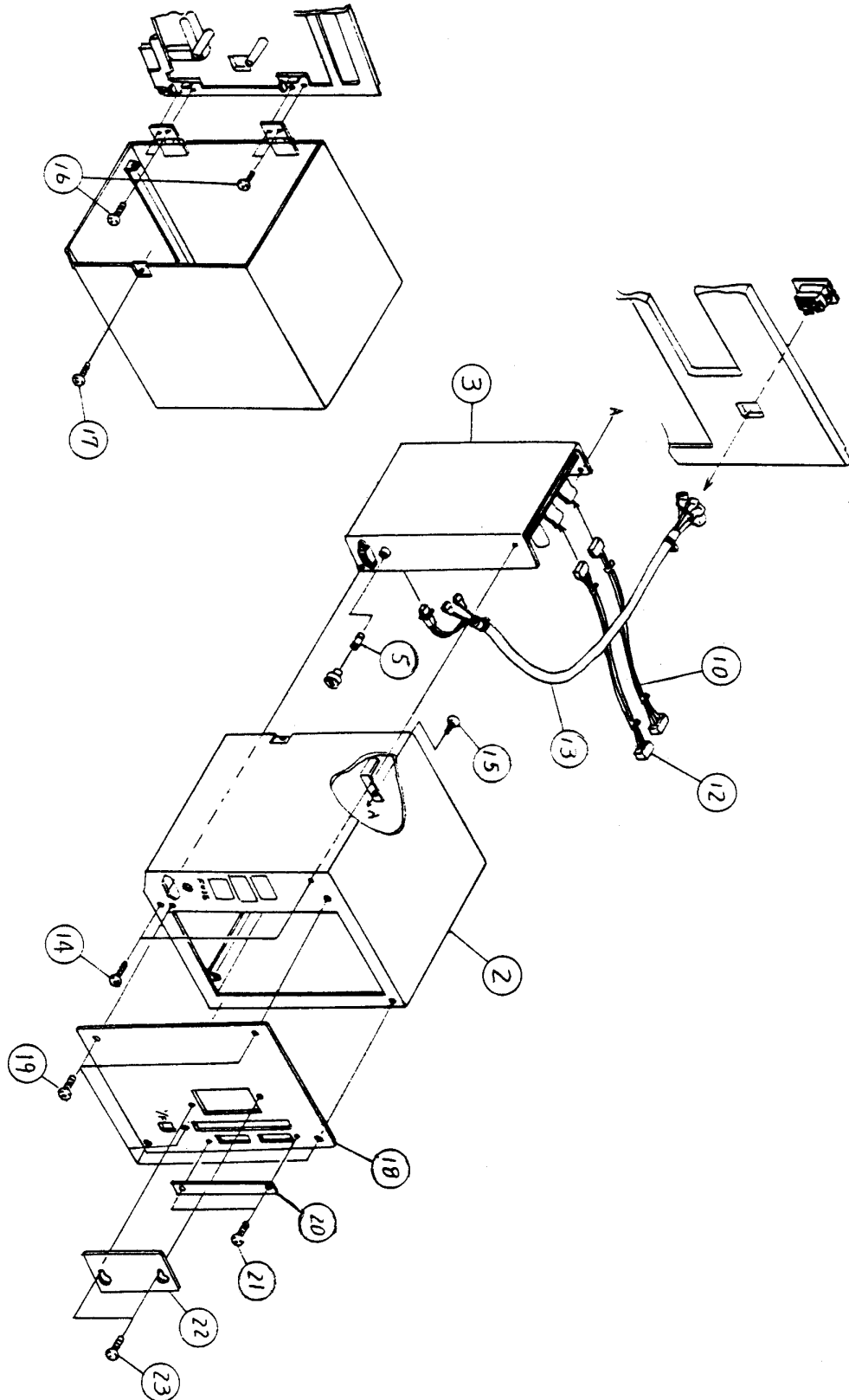


M8459S

Cover Assembly			
Item #	Part Number	Description	QTY
2	PH1731701	Close cover (A)	1
3	PR7730100	Power supply (115V)	1
5	HD100301A	Fuse	1
10	RH1732000	POW 1 cable	1
12	RH1732100	POW 2 cable	1
13	RH1730500	POW SW cable	1
14	MC0301022	Pan head screw	2
15	MC0401022	Pan head screw	1
16	MC0301022	Pan head screw	4
17	MC0401022	Pan head screw	1
18	PH1731900	Close cover (B)	1
19	MC0300622	Pan head screw	5
20	PA1730900	Sub cover	1
21	MC0300622	Pan head screw	2
22	PH1732000	Close cover (C)	1
23	MD4300822	Pan head screw	2
24	PR1731000	Cover bracket	1
25	RH1730800	SEN 6 cable	1
26	MA0200821	Pan head screw	2
29	MC0301022	Pan head screw	3
31	PH1730601	Open cover (A)	1
32	PH2730100	Open cover (B)	1
33	PH1730700	Set plate	1
34	MA7300625	Truss screw	2
35	MA7300625	Truss screw	4
38	PE6730300	SP case (A)	1
39	PE6730400	SP case (B)	1
40	PC0090300	Spring	1
41	PB0013700	Spring shaft	2
42	MT3020621	Hex nut	4
43	NA1060022	Plain washer	2
44	NB0060022	Spring washer	2

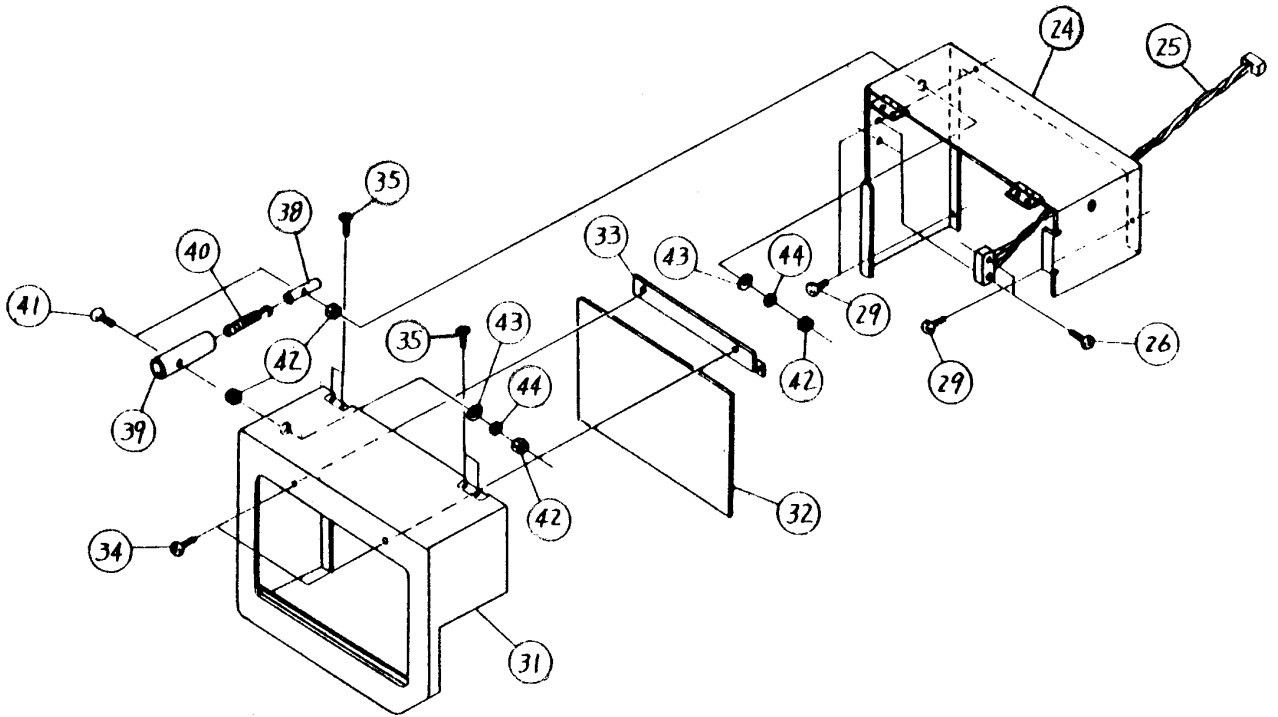
M8459S

Cover Assembly



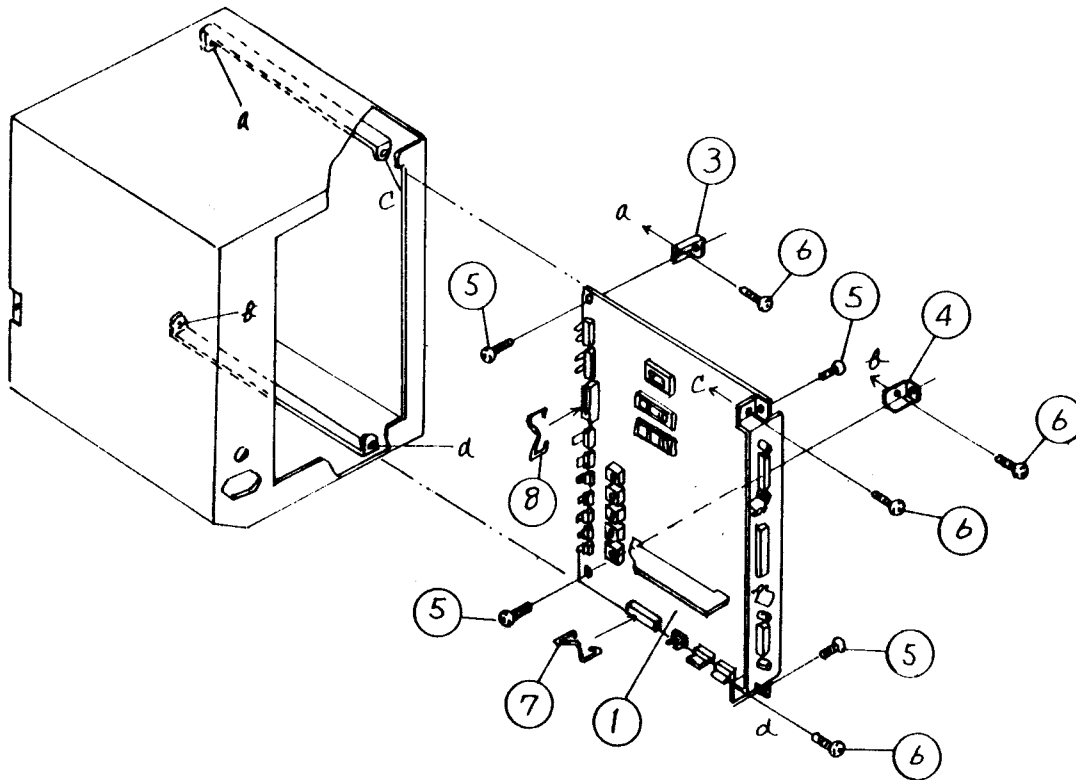
M8459S

Cover Assembly



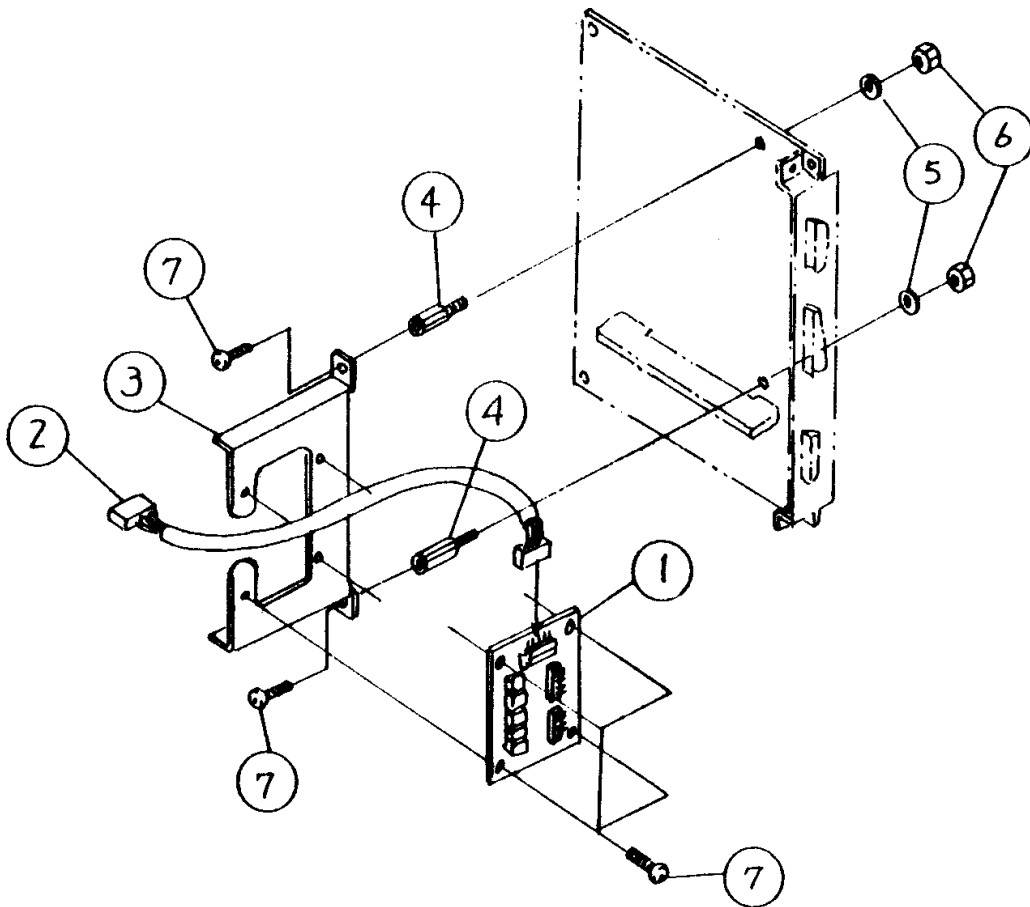
M8459S

Main PCB Assembly			
Item #	Part Number	Description	QTY
1	RJ1731600	Main PCB	1
3	PA3730300	PCB bracket (A)	1
4	PA3730400	PCB bracket (B)	1
5	MD4300622	Pan head screw	4
6	MD4300622	Pan head screw	4
7	PC9730200	Spring (lock)	1
8	PC9680000	Lock spring	1



M8459S

Check PCB Assembly			
Item #	Part Number	Description	QTY
1	RJ4730600	Check PCB	1
2	RH4730000	Check cable set	1
3	PA3736600	PCB bracket	1
4	PT9681600	Spacer	2
5	NA0030022	Plain washer	2
6	MT1300522	Hex nut	2
7	MD4300822	Pan head screw	6



M8459S

Memory PCB Assembly (Option)			
Item #	Part Number	Description	QTY
1	RJ1723100	Card PCB set	1
2	PT9730000	Spacer	4
3	MD3300622	Pan head screw	8

