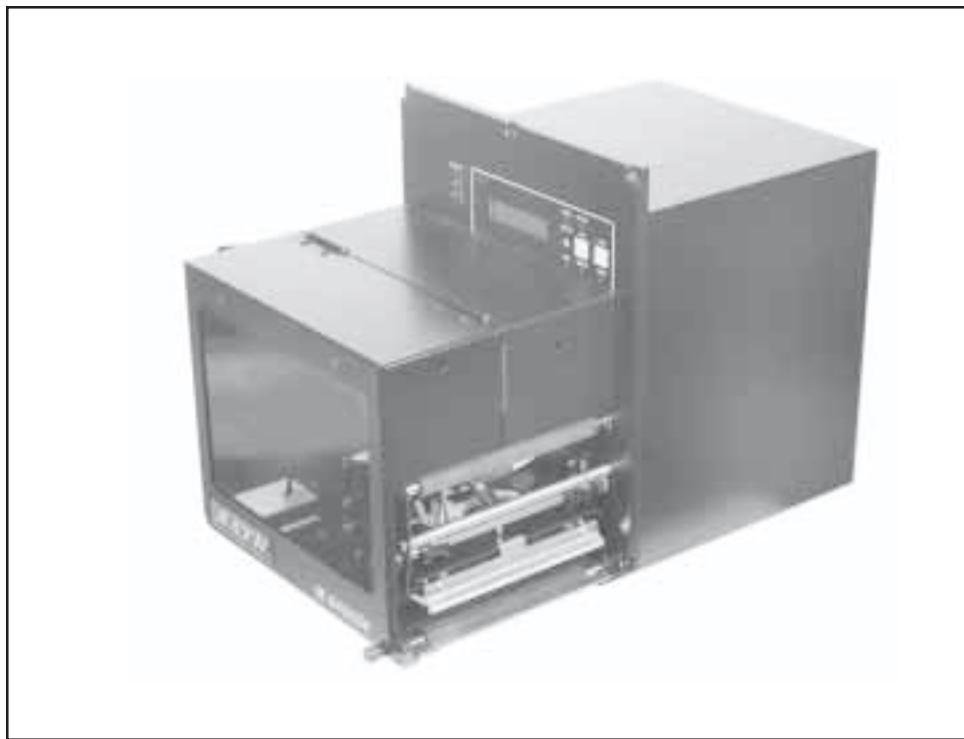




# ***M-8459Se Printer Standard Unit***



## ***Parts List***

# Table of Contents

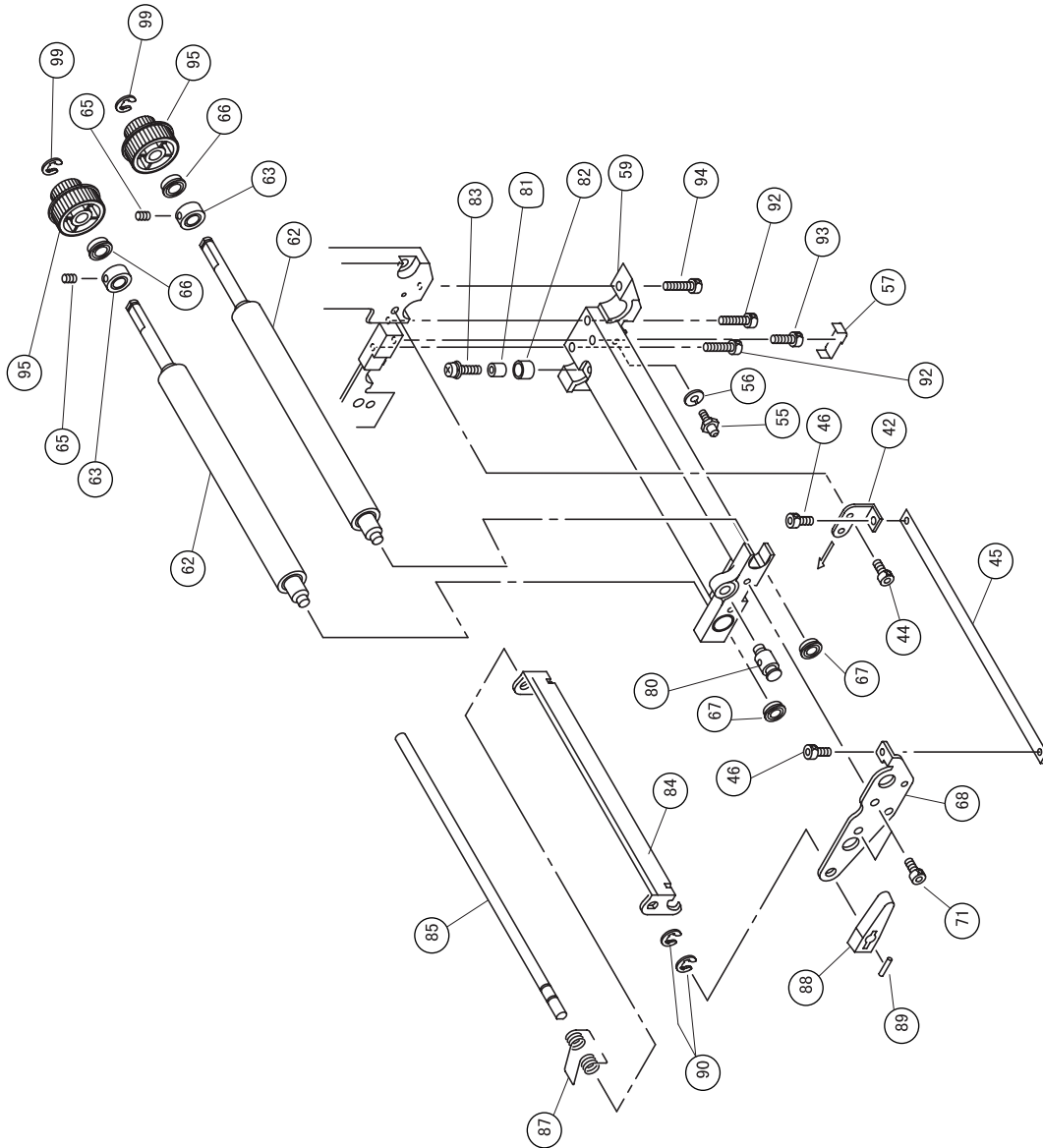
---

---

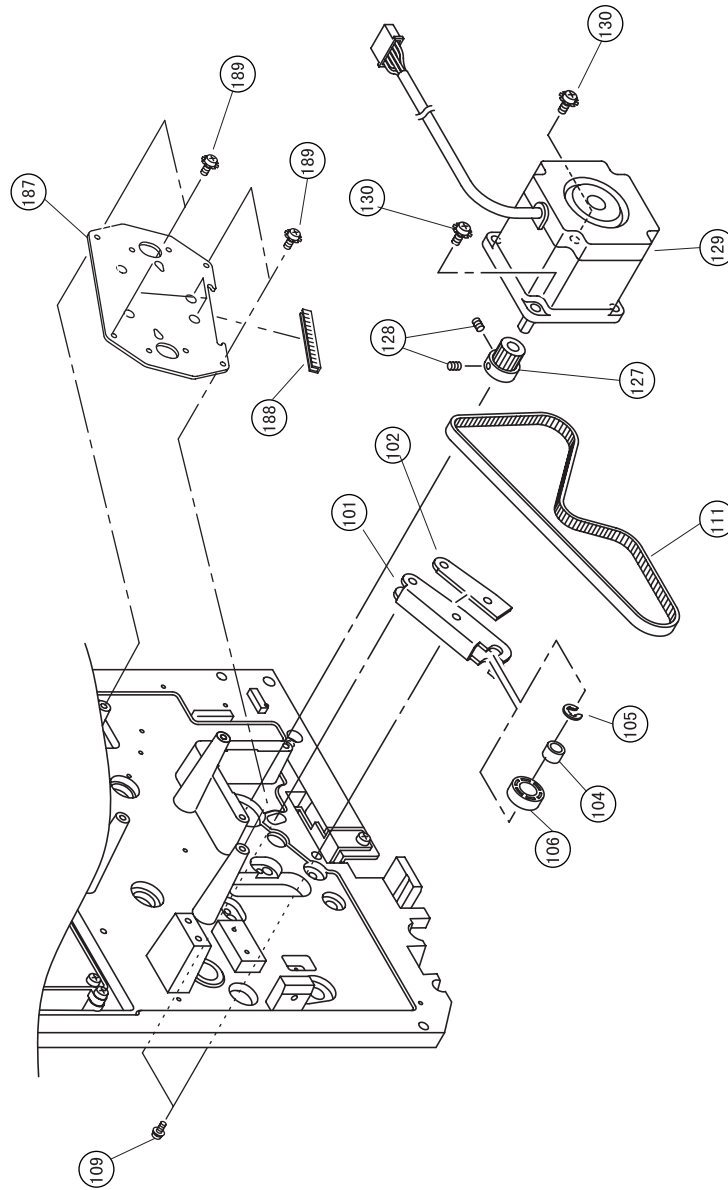
<i>M-8459Se</i>	<i>Page</i>
<i>Spare Parts List</i>	
<i>Frame Assembly.....</i>	<i>3</i>
<i>Print Head Assembly .....</i>	<i>8</i>
<i>Feed Roller Assembly.....</i>	<i>12</i>
<i>Pressure Roller Assembly.....</i>	<i>15</i>
<i>Cover Assembly .....</i>	<i>16</i>
<i>Cont PCB Assembly.....</i>	<i>19</i>
<i>Check PCB Assembly .....</i>	<i>20</i>
<i>Interface Option .....</i>	<i>21</i>
<i>Memory Option .....</i>	<i>22</i>



# Frame Assembly



# Frame Assembly



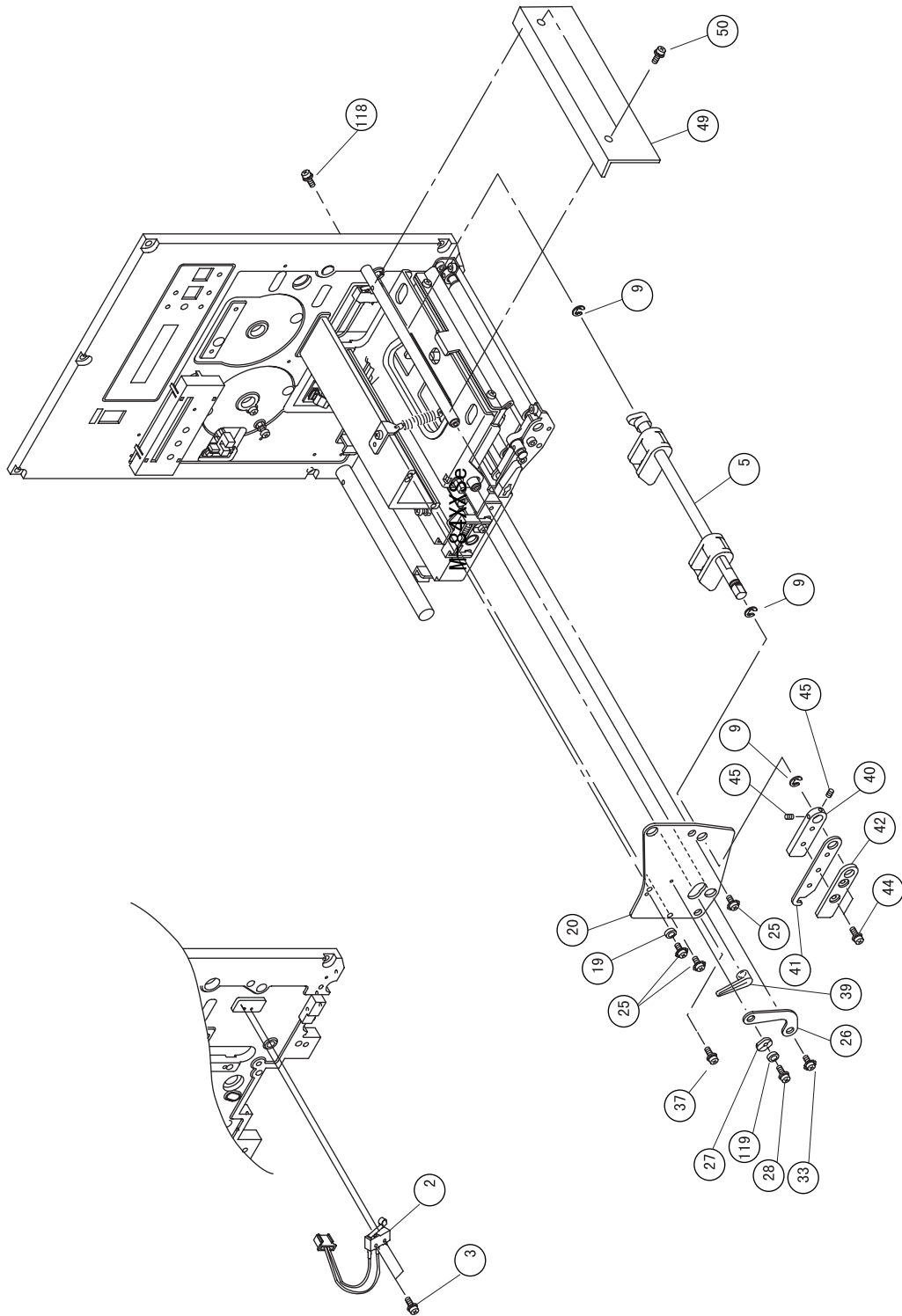
**Frame Assembly**

<b>NO.</b>	<b>CODE</b>	<b>DESCRIPTION</b>	<b>QTY</b>
2	PL1730700	ENGINE FRAME	1
10	PT2108006	DRY METAL	1
12	PB0540101	GUIDE POST	1
14	MC0401022	PAN HEAD SCREW	1
16	PR1731200	STAY	1
21	MC0401222	PAN HEAD SCREW	2
25	PA3732500	SPRING BRACKET	1
28	MC0300622	PAN HEAD SCREW	1
31	PB0731500	SHAFT(SUPPORT)	2
34	MC0401022	PAN HEAD SCREW	2
42	PA3736200	DISPENSE BAR BRACKET	1
44	MN0300824	HEX SOCKET BOLT	1
45	PD1731300	DISPENSE BAR	1
46	MN0300624	HEX SOCKET BOLT	2
55	PB0733500	SHAFT(HOLDER)	1
56	NB0040022	SPRING WASHER	1
57	PA4730500	PLATE SPRING	1
59	PL1730800	PLATEN FRAME	1
62	PR0730100	PLATEN ROLLER	2
63	PB2730100	COLLAR	2
65	MJ1300424	HEX SOCKET SET SCREW	2
66	PT1112060	BALL SUPPORTER	2
67	PT1109050	BALL SUPPORTER	2
68	PA3736301	SUPPORTER CLAMP (A)	1
71	MN0400824	HEX SOCKET BOLT	2
80	PB0730501	POST (LATCH)	1
81	PB2740100	COLLAR	1
82	PE3730200	ROLLER	1
83	MD4301222	PAN HEAD SCREW	1
84	PA3736400	LATCH HANDLE(HOLDER)	1
85	PB0733400	SHAFT(LATCH HANDLE)	1
87	PC3730101	SPRING(LATCH HANDLE)	1
88	PE1730700	HANDLE(C)	1

**Frame Assembly**

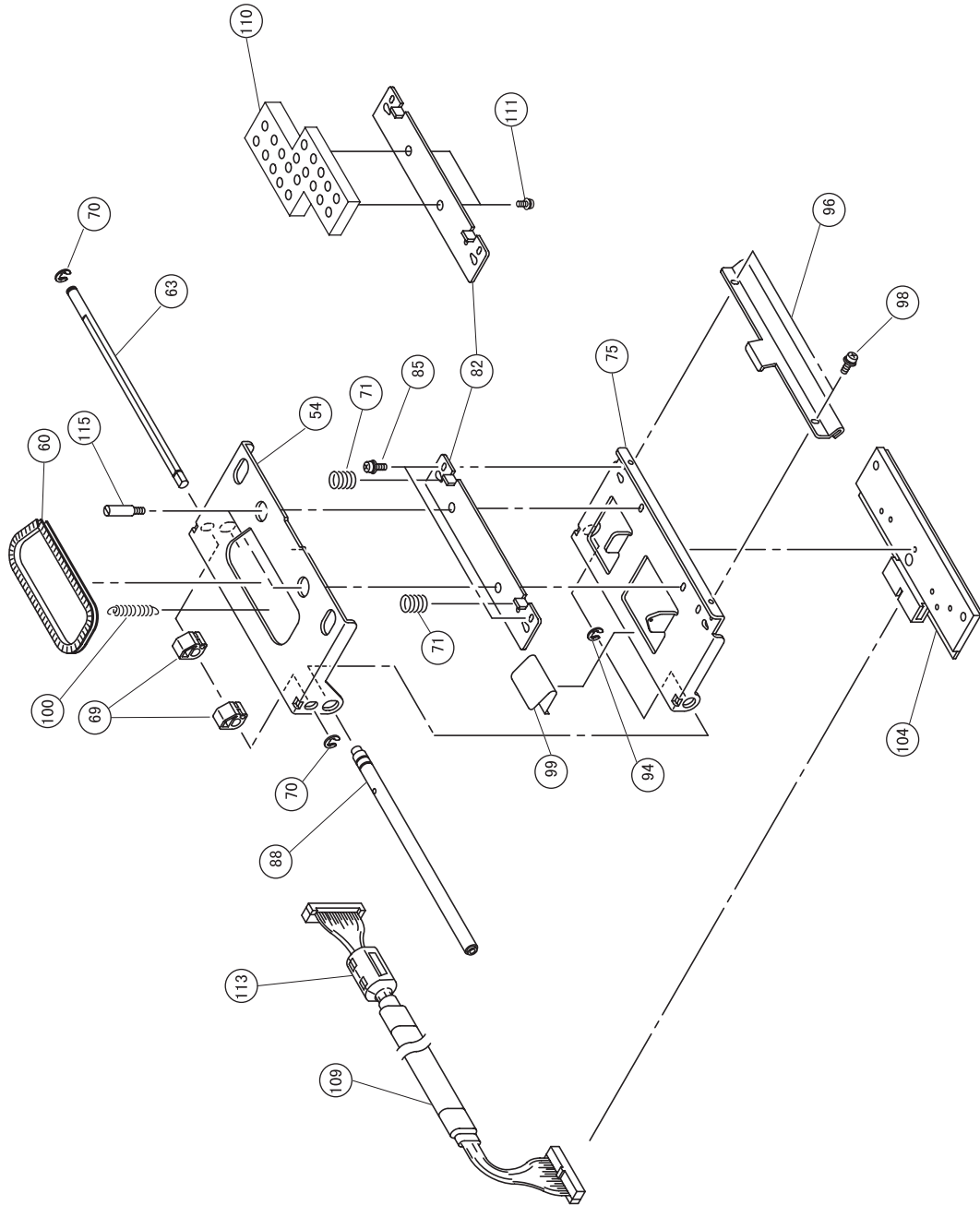
<b>NO.</b>	<b>CODE</b>	<b>DESCRIPTION</b>	<b>QTY</b>
89	NG2201030	PARALLEL PIN	1
90	ND0030030	E-RING	2
92	MN0402524	HEX SOCKET BOLT	2
93	MN0401624	HEX SOCKET BOLT	1
94	MN0401024	HEX SOCKET BOLT	1
95	PE8730200	PULLEY	2
99	ND0040030	E-RING	2
101	PA3734800	PULLEY BRACKET	1
102	PA2730700	PLATE NUT	1
104	PB0731600	SHAFT(ROLLER)	1
105	ND0040030	E-RING	1
106	PR1730600	TENSION ROLLER	1
109	MD4402022	PAN HEAD SCREW	2
111	PT8190064	TIMING BELT	1
127	PL1720100	MOTOR PULLEY	1
128	MJ1400524	HEX SOCKET SET SCREW	2
129	RH1730600	STEPPER MOTOR ASSY	1
130	MC0401222	PAN HEAD SCREW	2
164	PR4730301	KEYBOARD COVER	1
165	MD4301222	PAN HEAD SCREW	4
166	RJ2730203	KEY PCB SET	1
168	MH0300821	PAN HEAD P TITE SCREW	4
170	RH1731300	PSW CABLE	1
171	PA3739900	CONNECTOR LOCK	1
172	RJ2730100	DSW PCB SET	1
173	MD3300822	PAN HEAD SCREW	2
174	PH0730200	DIP SWITCH COVER	1
175	RH1731600	DSW CABLE SET	1
182	PB0734700	SHAFT (COVER BRACKET)	1
183	PA0730300	WASHER	1
184	MC0401022	PAN HEAD SCREW	1
185	PA2730400	LID (RIBBON)	1
186	MD4300622	PAN HEAD SCREW	4
187	PA1730600	RIBBON FRAME	1
188	PV9730100	BUSH	1
189	MC0401022	PAN HEAD SCREW	4

# Print Head Assembly





# Print Head Assembly



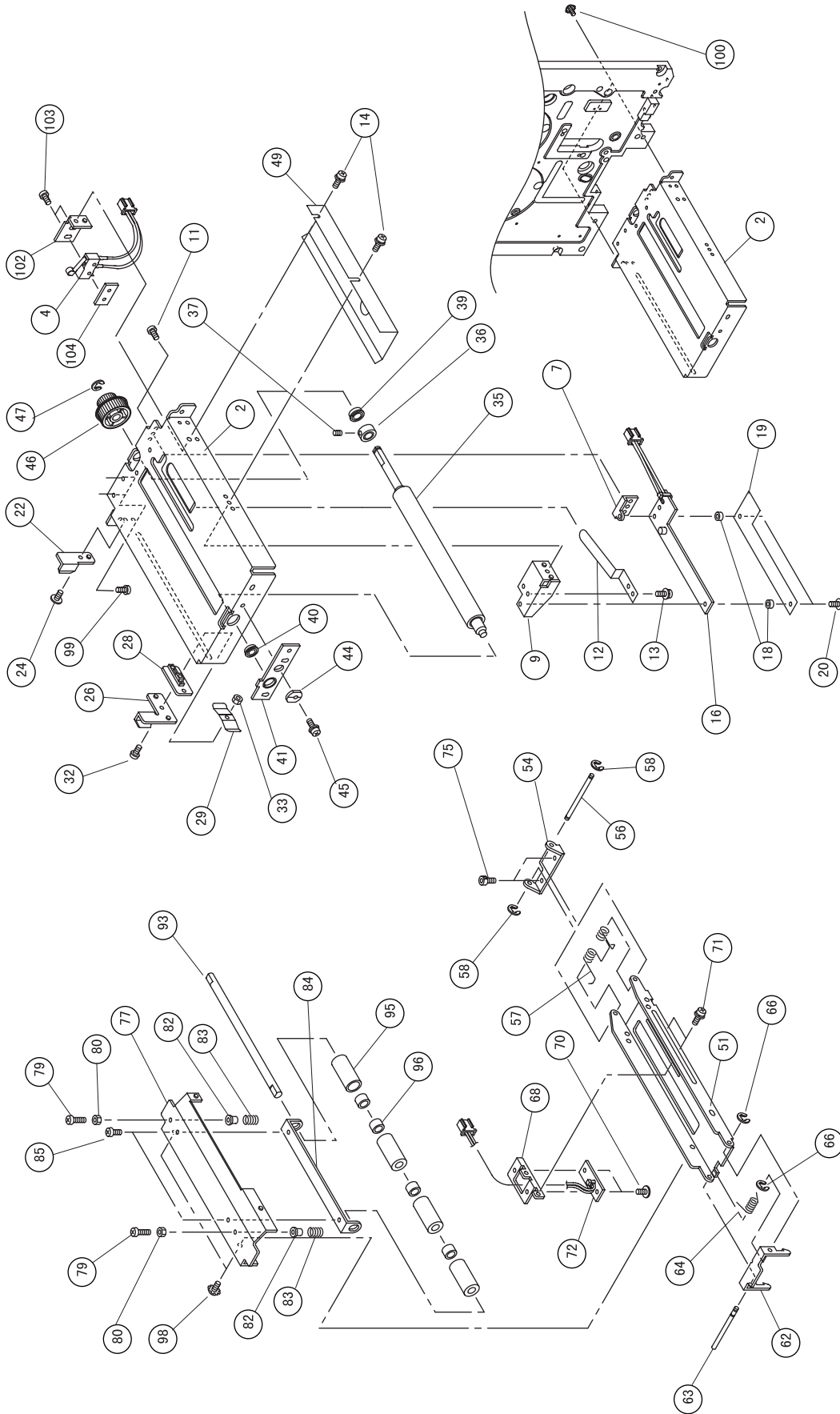
**Print Head Assembly**

<b>NO.</b>	<b>CODE</b>	<b>DESCRIPTION</b>	<b>QTY</b>
2	RH1731100	SEN5 CABLE	1
3	MD3201221	PAN HEAD SCREW	2
5	PR1730700	PRESSURE CAM	1
9	ND0060030	E-RING	3
19	PA0730300	WASHER	1
20	PA2730200	HEAD FRAME	1
25	MC0401022	PAN HEAD SCREW	3
26	PA1730300	PLATE (ADJUST)	1
27	PL2720100	ADJUST COLLAR	1
28	MD4300822	PAN HEAD SCREW	1
33	MC0401022	PAN HEAD SCREW	1
37	MC0401022	PAN HEAD SCREW	1
39	PE1730400	HANDLE (B)	1
40	PD1730600	HANDLE (A)	1
41	PA2730600	LATCH HANDLE (C)	1
42	PD1731200	HANDLE (B)	1
44	MD4301022	PAN HEAD SCREW	2
45	MJ1300424	HEX SOCKET SET SCREW	2
49	PA3733200	LID (COVER)	1
50	MD4300622	PAN HEAD SCREW	2
54	PA3733300	HEAD BRACKET (UP)	1
60	PV9730300	BUSHING	1
63	PB0733800	SHAFT (ADJUST CAM)	1
69	PE1730300	ADJUST CAM	2
70	ND0050030	E-RING	2
71	PC1730200	SPRING (HEAD)	2
75	PR4730400	HEAD BRACKET (LOW)	1
82	PR1731300	ADJUST PLATE	1
85	MD4300622	PAN HEAD SCREW	2
88	PB0733300	SHAFT (HEAD BRACKET)	1
94	ND0070030	E-RING	2
96	PA3732100	RIBBON PLATE	1
98	MD3250522	PAN HEAD SCREW	2
99	PA4730401	PLATE SPRING (HEAD CAM)	1

***Print Head Assembly***

<b>NO.</b>	<b>CODE</b>	<b>DESCRIPTION</b>	<b>QTY</b>
100	PC0730200	SPRING (HEAD OPEN)	1
104	GH000801A	THERMAL HEAD	1
109	RH1735200	HEAD CABLE SET	1
110	PD1731901	HEAT SINK	1
111	MA1300822	FLAT HEAD SCREW	2
113	KA200161A	FERRITE CORE	1
115	PB5730300	SCREW (HEAD)	2
118	MC0401022	PAN HEAD SCREW	1
119	NA1030022	PLAIN WASHER	1

# Feed Roller Assembly



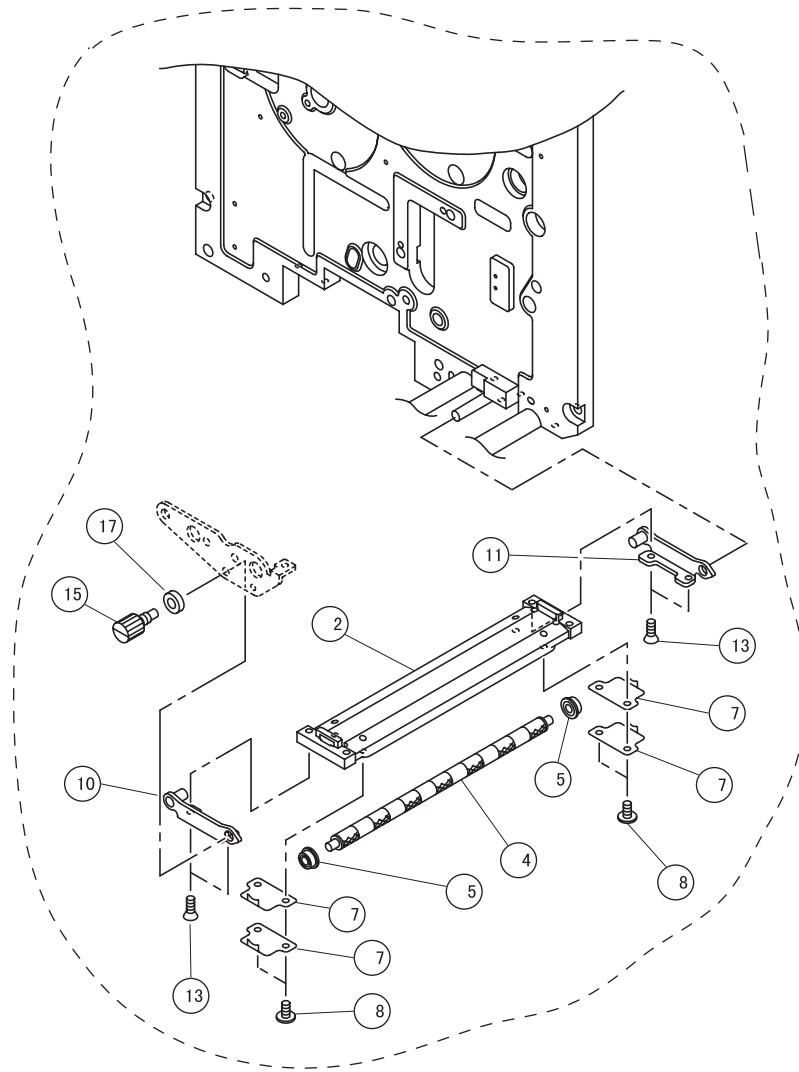
**Feed Roller Assembly**

NO.	CODE	DESCRIPTION	QTY
2	PR4730100	PAPER GUIDE BRACKET	1
4	RH1731500	SEN7 CABLE	1
7	PA3730500	PCB BRACKET(C)	1
9	PA3730600	PCB BRACKET(D)	1
11	MC0300622	PAN HEAD SCREW	1
12	PA4730201	LIFT SPRING	1
13	MD4300622	PAN HEAD SCREW	1
14	MD4300622	PAN HEAD SCREW	2
16	RH1730900	SEN1 CABLE	1
18	PT9680500	SPACER	2
19	PA1730800	PCB PROTECTOR	1
20	MD4300822	PAN HEAD SCREW	2
22	PA3731500	PAPER GUIDE(L)	1
24	MJ9300622	THIN HEAD SCREW	1
26	PA3731600	SLIDE GUIDE	1
28	PE1730200	SLIDER	1
29	PA4730100	SLIDE SPRING	1
32	MA0301022	PAN HEAD SCREW	1
33	MT1300522	HEX NUT	1
35	PR0730100	PLATEN ROLLER	1
36	PB2730100	COLLAR	1
37	MJ1300424	HEX SOCKET SET SCREW	1
39	PT1112060	BALL SUPPORTER	1
40	PT1109050	BALL SUPPORTER	1
41	PA1730100	SUPPORTER CLAMP	1
44	PL2720100	ADJUST COLLAR	1
45	MD4300822	PAN HEAD SCREW	1
46	PE8730200	PULLEY	1
47	ND0040030	E-SNAP RING	1
49	PA3734600	PAPER GUIDE	1
51	PA3731100	PAPER LID(LOW)	1
54	PA3734700	LID BR	1
56	PB0731000	SHAFT(LID)	1
57	PC2730200	SPRING(OPEN)	1
58	ND0020030	E-RING	2
62	PA3731700	LATCH HANDLE	1
63	PB0730900	SHAFT(LATCH)	1
64	PC2730100	SPRING(LATCH)	1

**Feed Roller Assembly**

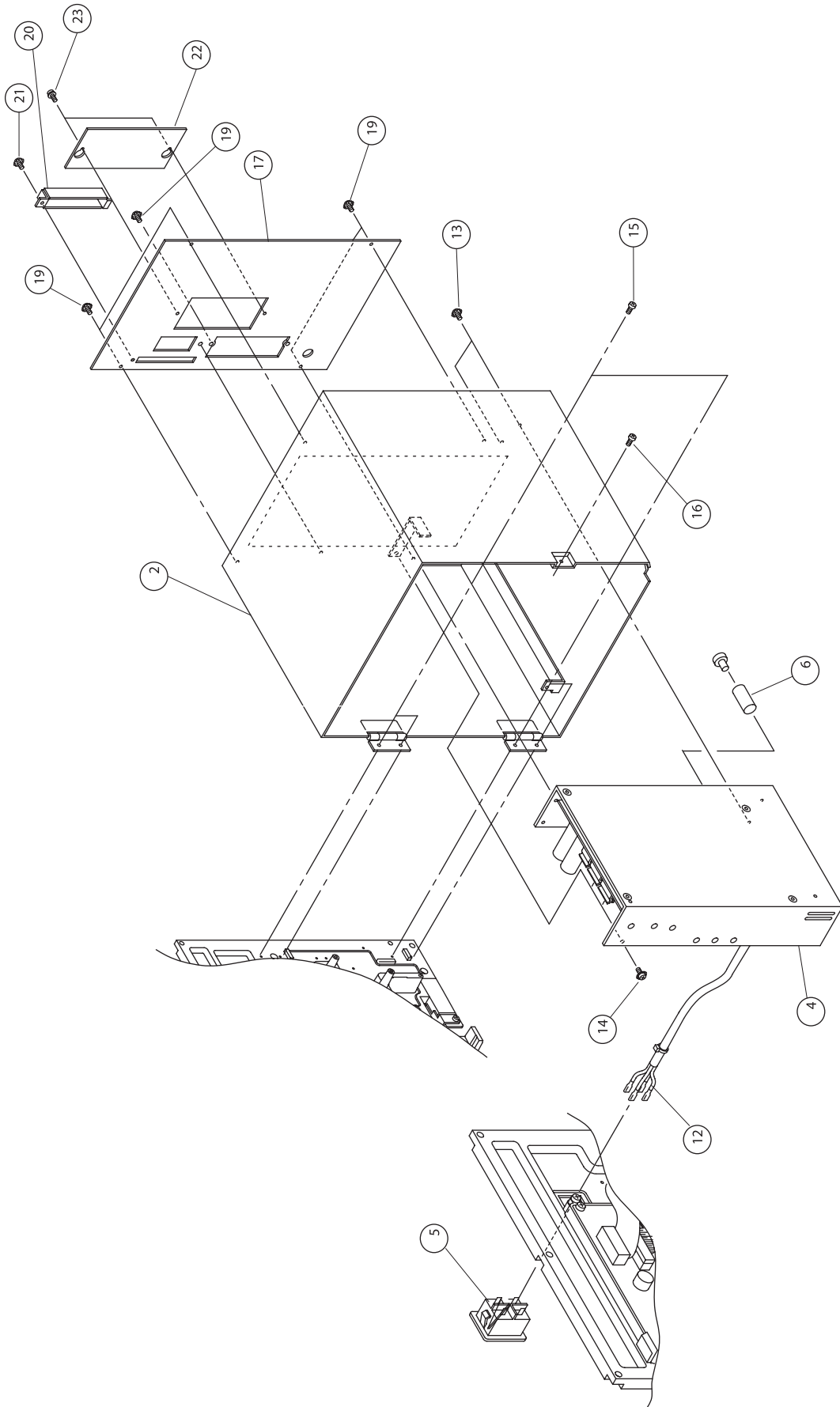
<b>NO.</b>	<b>CODE</b>	<b>DESCRIPTION</b>	<b>QTY</b>
66	ND0020030	E-RING	2
68	PA3731200	SENSOR BRACKET(PITCH)	1
70	MD4300622	PAN HEAD SCREW	2
71	MJ9300622	THIN HEAD SCREW	2
72	RH1731000	SEN2 CABLE	1
75	MN0300624	HEX SOCKET SCREW	2
77	PA3731000	PAPER LID	1
79	MA0301022	PAN HEAD SCREW	2
80	MT1300522	HEX NUT	2
82	PE2730300	STOPPER COLLAR	2
83	PC1730300	SPRING(PRESSURE)	2
84	PA3731300	ROLLER BRACKET	1
85	MA0300422	PAN HEAD SCREW	2
93	PB0730800	SHAFT(PRESSURE ROLLER)	1
95	PE3720200	ROLLER	4
96	PE3720500	ROLLER	4
98	MC0300622	PAN HEAD SCREW	2
99	MN0300824	HEX SOCKET SCREW	2
100	MN0400824	HEX SOCKET SCREW	2
102	PA3732700	MICRO SWITCH BRACKET	1
103	MD3201221	PAN HEAD SCREW	2
104	PA1732300	NUT PLATE	1

# Pressure Roller Assembly



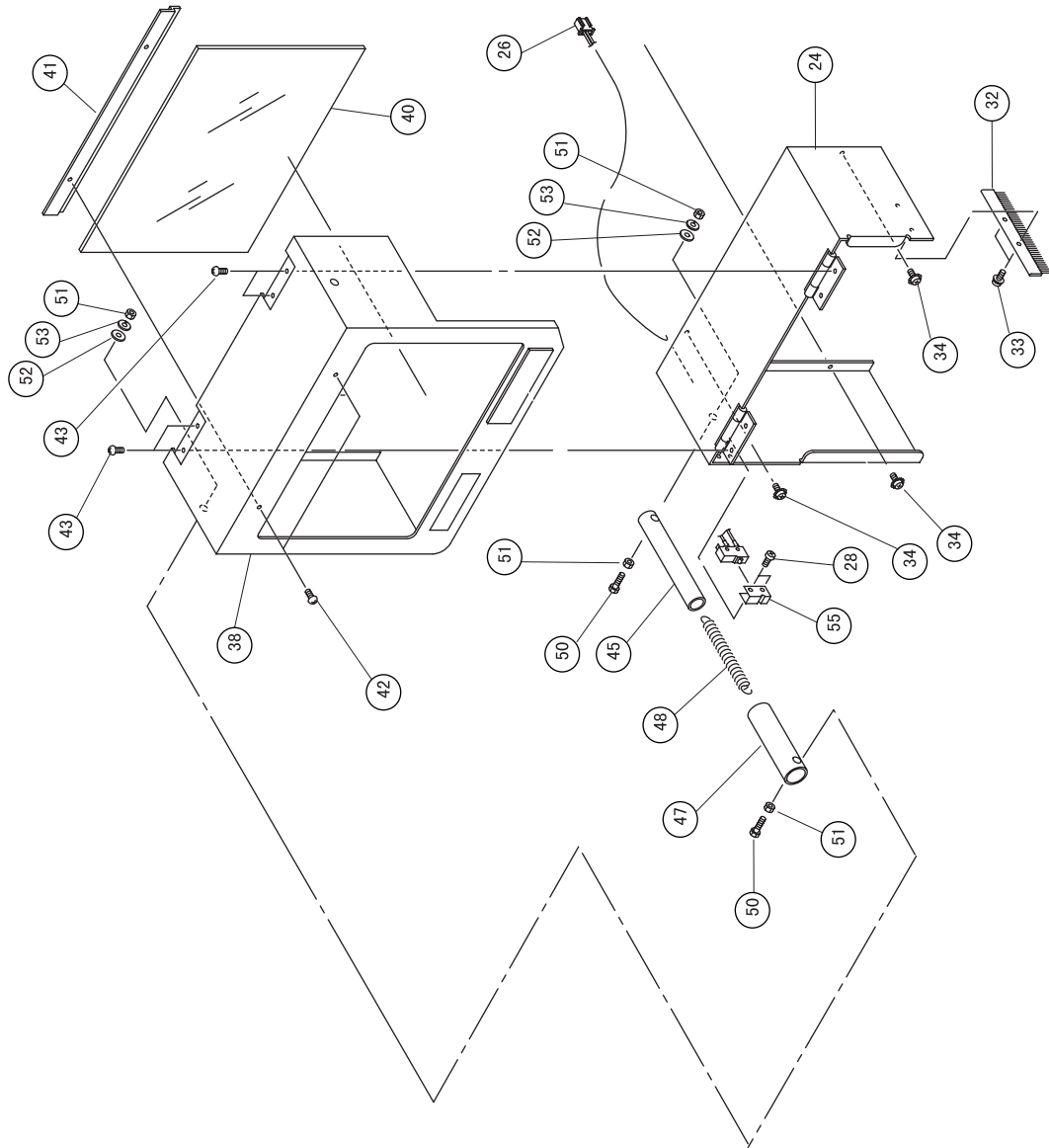
NO.	CODE	DESCRIPTION	QTY
2	PL1730900	ROLLER HOLDER(PRESSURE)	1
4	PB0731801	PRESSURE ROLLER	1
5	PT1108040	BALL SUPPORTER	2
7	PA4730300	PLATE SPRING	4
8	MJ9300622	THIN HEAD SCREW	4
10	PR1732800	PLATE(HOLDER)(F)	1
11	PR1732900	PLATE(HOLDER)(R)	1
13	MA1300822	FLAT HEAD SCREW	4
15	PB0733601	SCREW(HOLDER)	1
17	PE2730600	COLLAR	1

# Cover Assembly





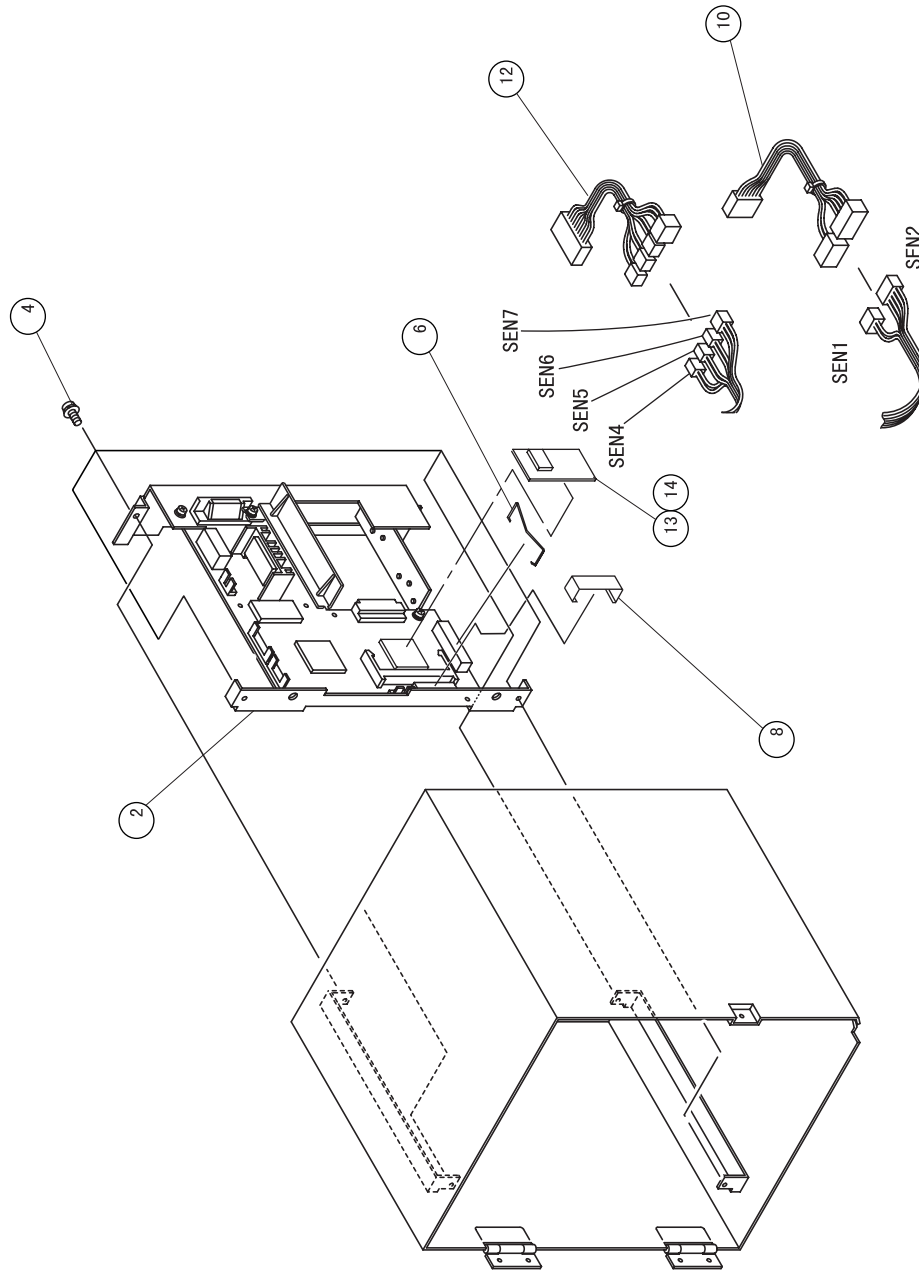
# Cover Assembly



**Cover Assembly**

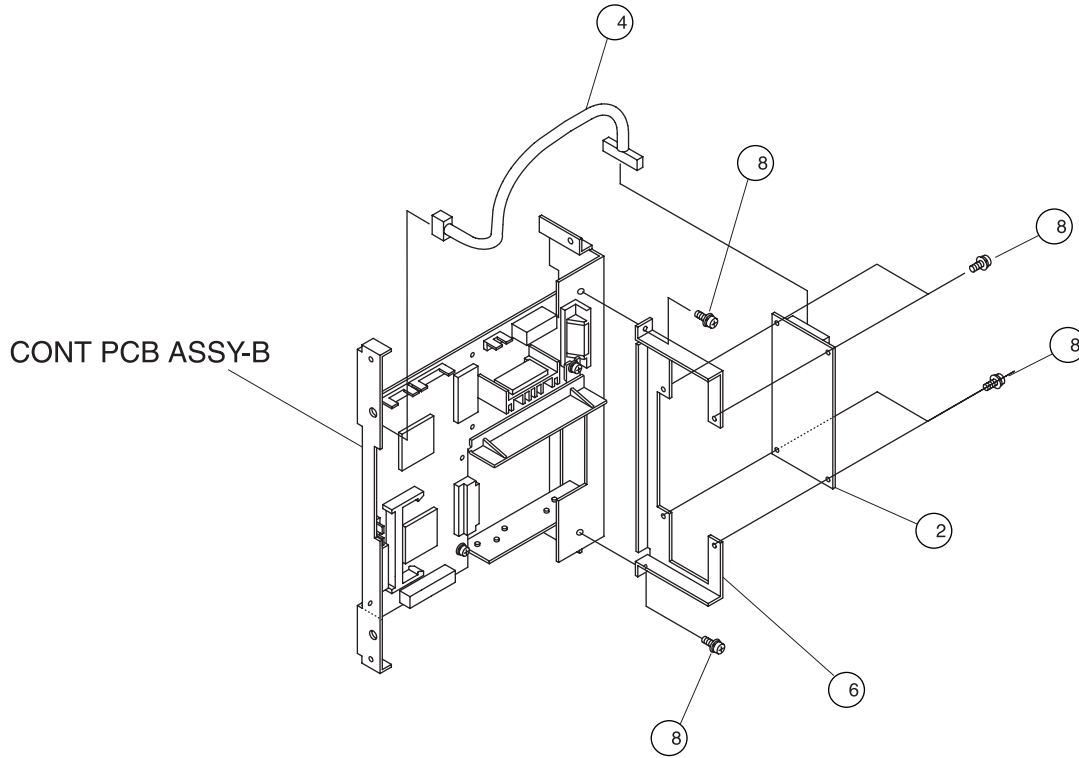
NO.	CODE	DESCRIPTION	QTY
2	PH1731701	CLOSE COVER (A)	1
4	PR7730301	POWER SUPPLY ASSY	1
5	GA300161A	POW SWITCH	1
6	HD100311A	FUSE	1
12	RH1730500	POW/SW CABLE	1
13	MC0301022	PAN HEAD SCREW	2
14	MC0401022	PAN HEAD SCREW	1
15	MC0301022	PAN HEAD SCREW	4
16	MC0401022	PAN HEAD SCREW	1
17	PH1732601	CLOSE COVER (B)	1
19	MC0300622	PAN HEAD SCREW	5
20	PH1732800	MEMORY CARD COVER	1
21	MC0300622	PAN HEAD SCREW	1
22	PH1732000	CLOSE COVER (C)	1
23	MD4300822	PAN HEAD SCREW	2
24	PH1731000	COVER BRACKET	1
26	RH1730800	SEN6 CABLE	1
28	MA0200821	PAN HEAD SCREW	2
32	PR1340500	ANTI STATIC BRASH	1
33	MD4300622	PAN HEAD SCREW	2
34	MC0301022	PAN HEAD SCREW	3
38	PH1730601	OPEN COVER (A)	1
40	PH2730100	OPEN COVER (B)	1
41	PH1730700	SET PLATE	1
42	MA7300625	TRUSS SCREW	2
43	MA7300625	TRUSS SCREW	4
45	PE6730300	SP CASE (A)	1
47	PE6730400	SP CASE (B)	1
48	PC0090300	SPRING (COVER)	1
50	PB0013700	SPRING SHAFT	2
51	MT3020621	HEX NUT	4
52	NA1060022	PLAIN WASHER	2
53	NB0060022	SPRING WASHER	2
55	PA6730300	COVER (SEN6)	1

# CONT PCB Assembly



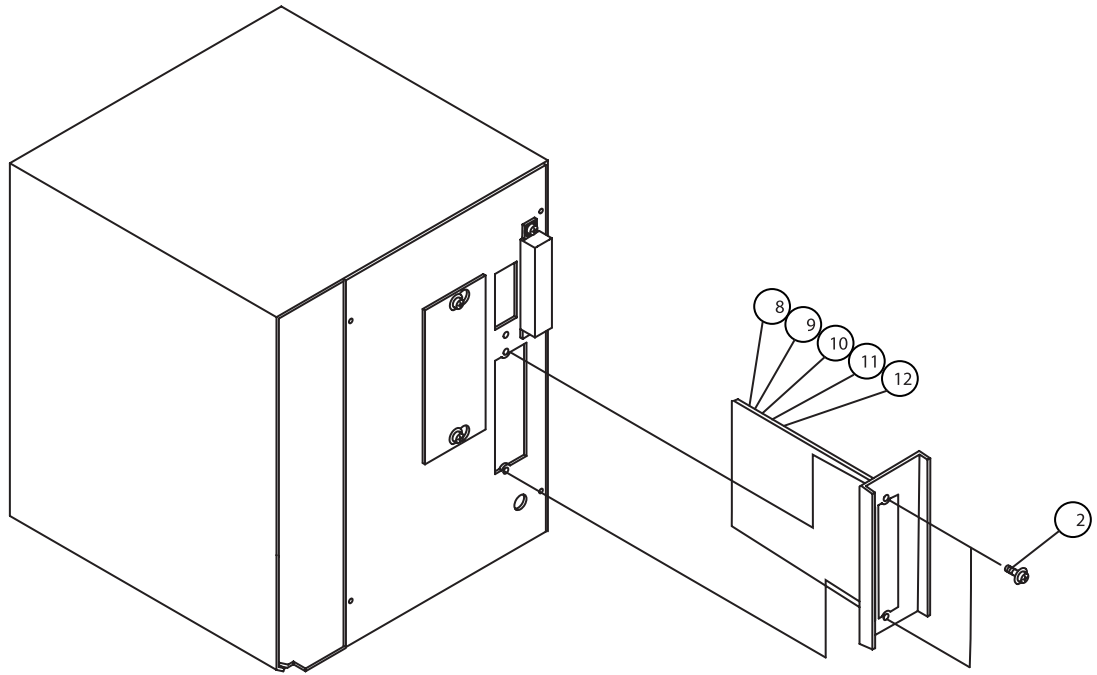
NO.	CODE	DESCRIPTION	QTY
2	RJ1733100	MAIN PCBA	1
4	MD4300622	PAN HEAD SCREW	4
6	PC9730100	SPRING(LOCK)	1
8	PA3739900	CONNECTOR LOCK	1
10	RH1727300	PITCH SENSOR RELAY	1
12	RH1735100	SENSOR RELAY CODE	1
13	RJ7770200	MEMORY PCB ASSY	1
14	RJ7770300	4 MB FLASH MEMORY UPGRADE (OPTION)	1

# Check PCB Assembly



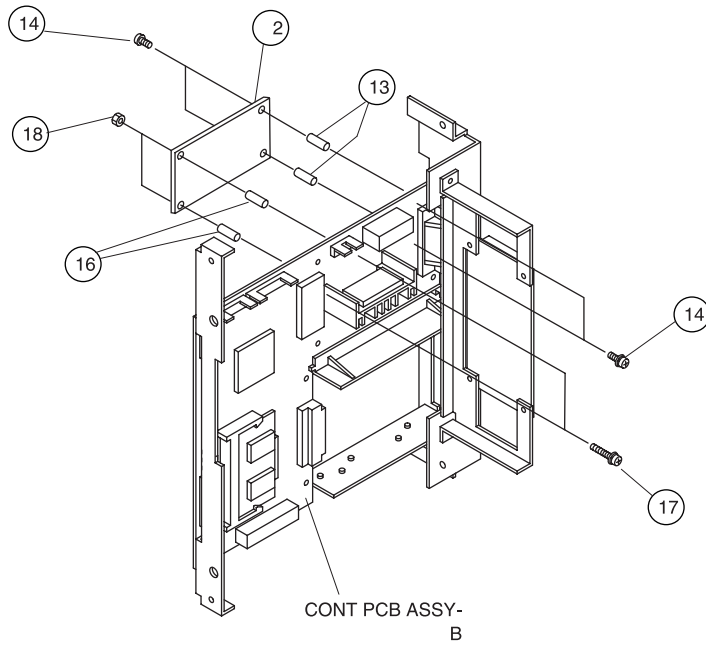
ITEM NO.	CODE	DESCRIPTION	QTY
2	RJ4731200	CHECK PCB	1
4	RH4730000	CHECK CABLE SET	1
6	PA3736600	PCB BRACKET	1
8	MD4300822	PAN HEAD SCREW	6

## Interface Option



NO.	CODE	DESCRIPTION	QTY
2	MD3300622	SCREW	2
8	WCL404070	IEEE-1284 PARALLEL INTERFACE (OPTION)	1
9	WCL404051	SERIAL INTERFACE (OPTION)	1
10	WCL404060	USB INTERFACE (OPTION)	1
11	11S000158	ETHERNET INTERFACE (OPTION)	1
12	11S000136	CX/TX INTERFACE (OPTION)	1

# Memory Option



NO.	CODE	DESCRIPTION	QTY
2	RJ4770100	PC CARD PCB ASSY	1
13	PT9770600	SPACER	2
14	MD4300621	PAN SCREW+SW+WL	4
16	PT9770700	SPACER	2
17	MD4201621	PAN SCREW+SW+WL	2
18	MT1200422	NUT	2