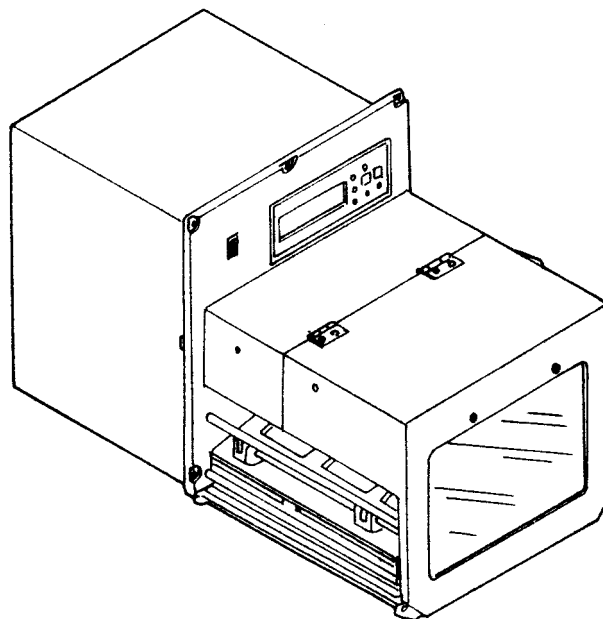




M8460S/ Opposite Hand Parts List



**SATO America, Inc.
10350-A Nations Ford Rd.
Charlotte, NC 28273
Tel (704) 644-1650
Fax (704) 644-1662**

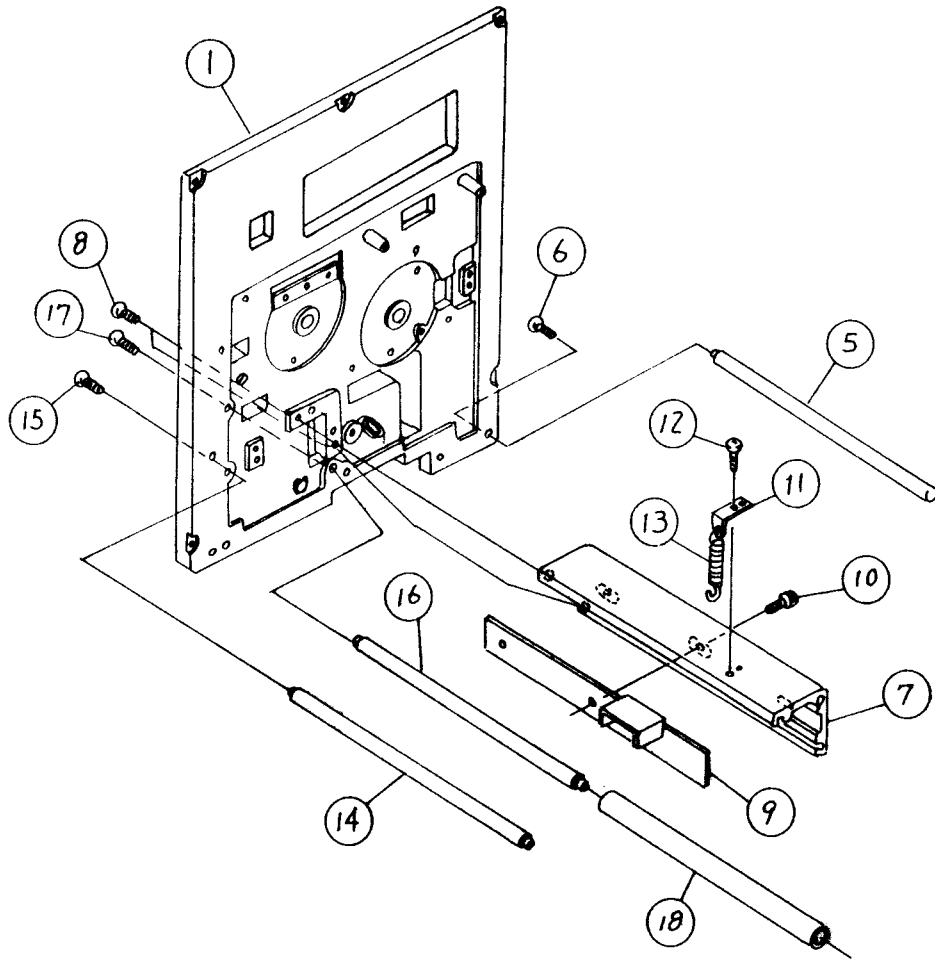
M8460S Opposite Hand

Table of Content

Frame Assembly	3 – 8
Thermal Head Assembly	9 – 11
Platen Frame Assembly	12 – 18
Ribbon Assembly	19 – 24
Cover Assembly	25 – 27
Main PCB Assembly	28 – 28
Check PCB Assembly	29 – 29
Memory Card PCB Assembly (Option)	30 – 30

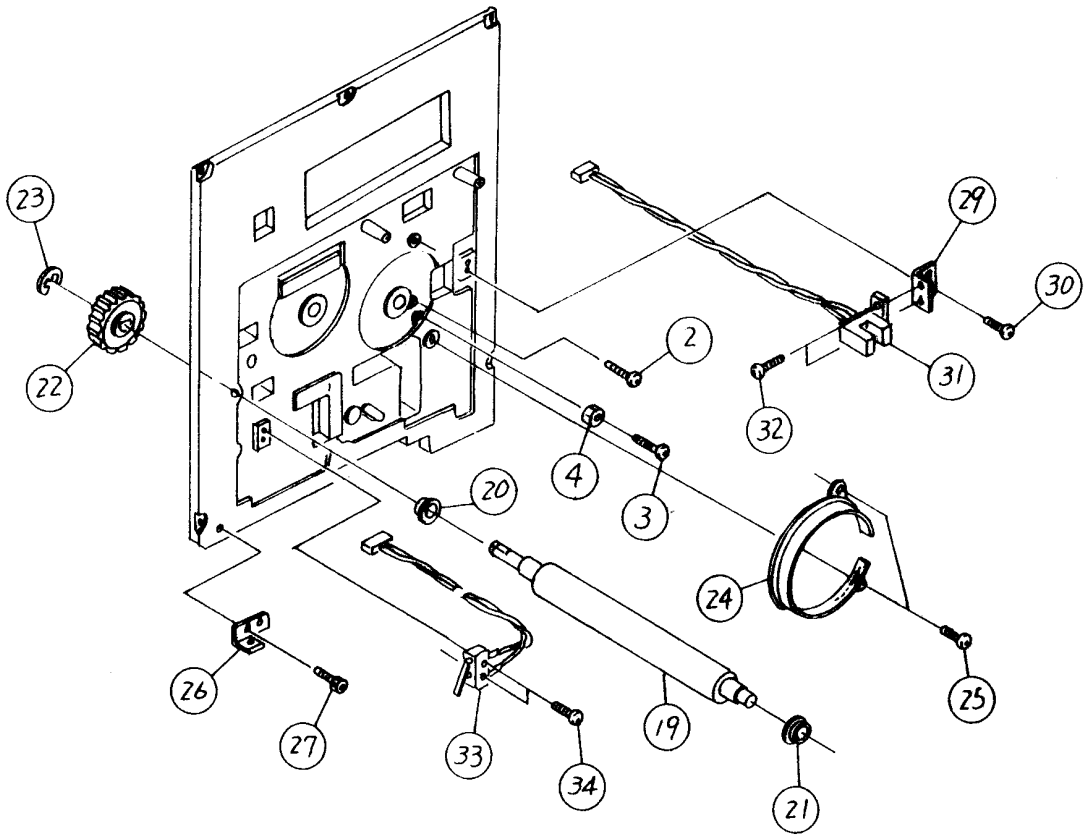
M8460S Opposite Hand

Frame Assembly



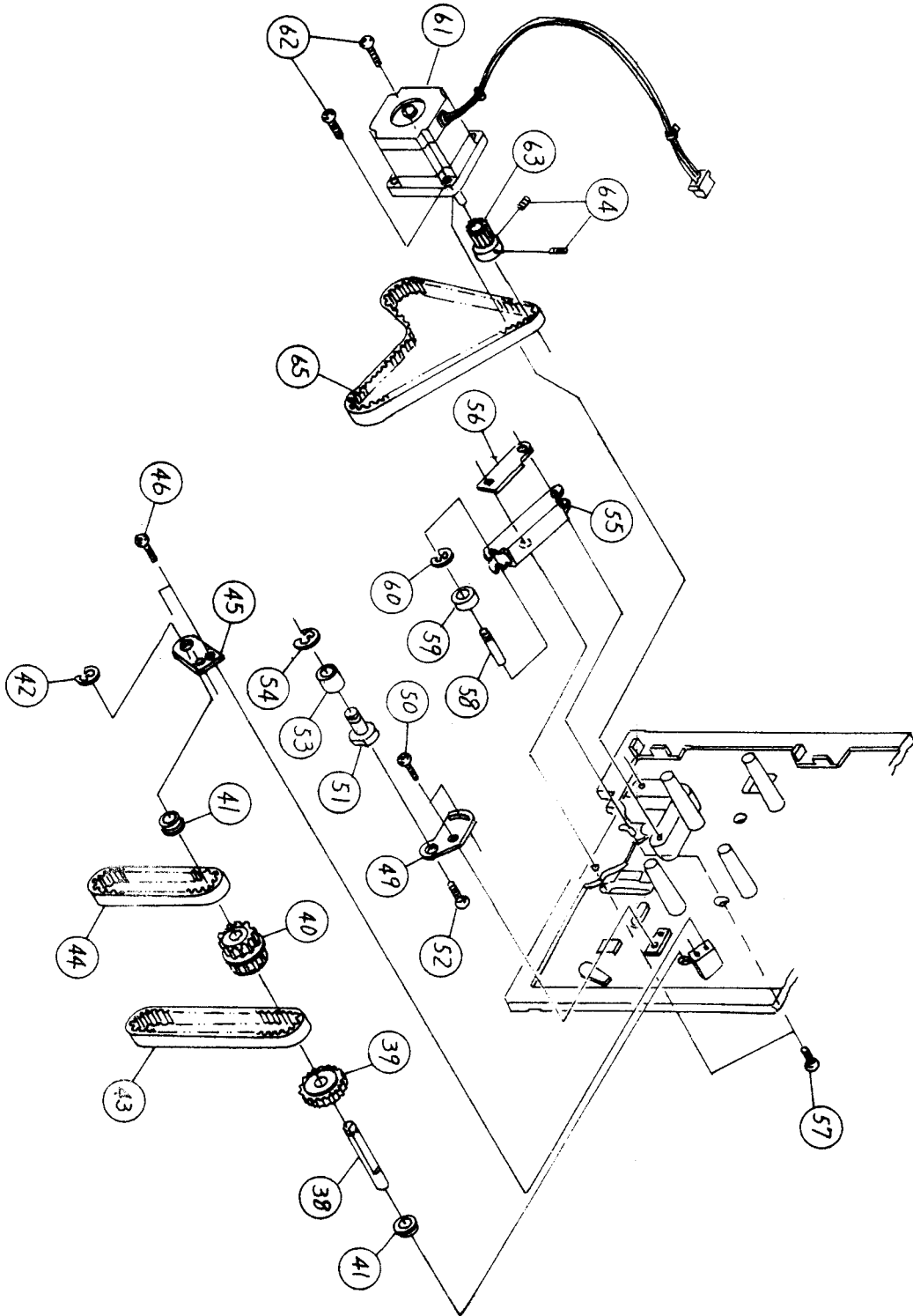
M8460S Opposite Hand

Frame Assembly



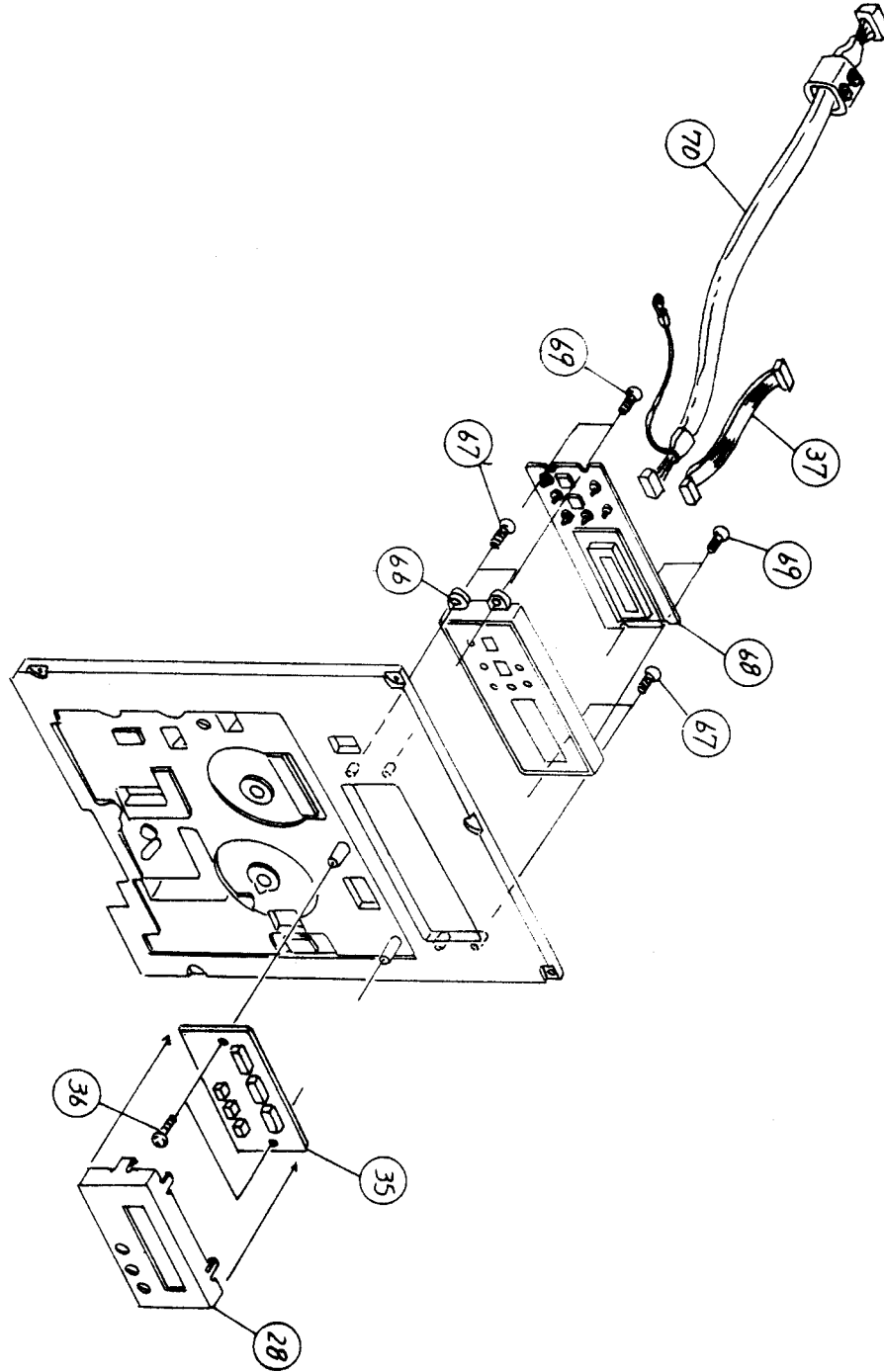
M8460S Opposite Hand

Frame Assembly



M8460S Opposite Hand

Frame Assembly



M8460S Opposite Hand

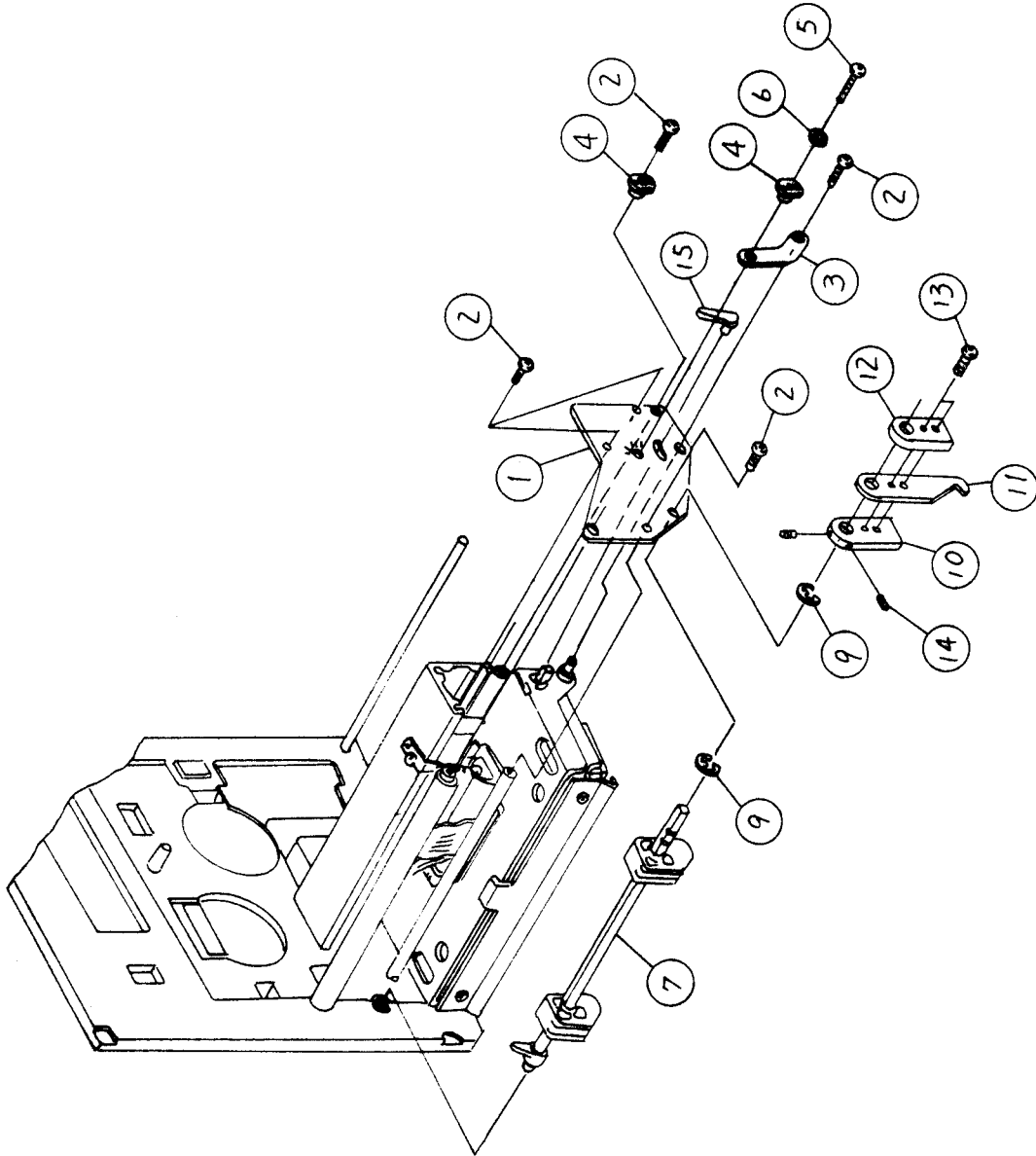
Frame Assembly			
ITEM #	Part Number	Description	QTY
1	PR1734600	Engine frame	1
2	MD3300822	Pan head screw	1
3	MA0301022	Pan head screw	1
4	MT1300522	Hex nut	1
5	PB0734200	Guide post	1
6	MC0401022	Pan head screw	1
7	PR1734700	Stay	1
8	MN0401224	Hex bolt	2
9	PA3739400	Guide plate (head bracket)	1
10	MN0300824	Hex bolt	1
11	PA3732500	Spring bracket	1
12	MC0301022	Pan head screw	1
13	PC0730200	Spring (head open)	1
14	PB0734300	Shaft (support)	1
15	MN0401024	Hex bolt	1
16	PB0734400	Shaft (ribbon adjust)	1
17	MN0401024	Hex bolt	1
18	PR1733900	Roller	1
19	PR0731600	Feed roller	1
20	PT1112060	Ball supporter	1
21	PT1109050	Ball supporter	1
22	PE8730100	Gear	1
23	ND0040030	E-snap ring	1
24	PV2730500	Disk plate cover	1
25	MD4300622	Pan head screw	2
26	PA3738400	Dispense bar bracket	1
27	MN0300824	Hex bolt	1
28	PH0730200	DSW cover	1
29	PA3730200	Sensor bracket (ribbon)	1
30	MC0301022	Pan head screw	1
31	RH1730400	SEN4 cable	1
32	MA0300622	Pan head screw	2
33	RH1731100	SEN5 cable	1
34	MD3201222	pan head screw	2
35	RJ2730100	DSW PCB assy	1

M8460S Opposite Hand

Frame Assembly			
ITEM #	Part Number	Description	QTY
36	MD3300822	Pan head screw	2
37	RH1731600	DSW cable set	1
38	PB0731701	Shaft (idle)	1
39	PE8730100	Gear	1
40	PE8730300	Pulley	1
41	PT1112060	Ball supporter	2
42	ND0040030	E-snap ring	1
43	PT8150064	Timing belt (motor)	1
44	PT8085048	Timing belt	1
45	PA1730500	Shaft bracket	1
46	MC0401022	Pan head screw	2
49	PA1730700	Tension bracket	1
50	MD4300822	Pan head screw	2
51	PB0730600	Post (tension)	1
52	MD4400822	Pan head screw	1
53	PR1730600	Tension roller	1
54	ND0040030	E-snap ring	1
55	PA3734800	Pulley bracket	1
56	PA2730700	Plate nut	1
57	MD4402022	Pan head screw	2
58	PB0731600	Shaft (roller)	1
59	PR1732600	Tension roller	1
60	ND0040030	E-snap ring	1
61	RH1733600	STP cable	1
62	MC0401222	Pan head screw	2
63	PL1720100	Motor pulley	1
64	MJ1400524	W-point screw	2
65	PT8190064	Timing belt	1
66	PR4730501	Key board cover	1
67	MD4301222	Pan head screw	4
68	RJ2730200	KB PCB	1
69	MH0300821	P-tight screw	4
70	RH1731300	PSW cable	1

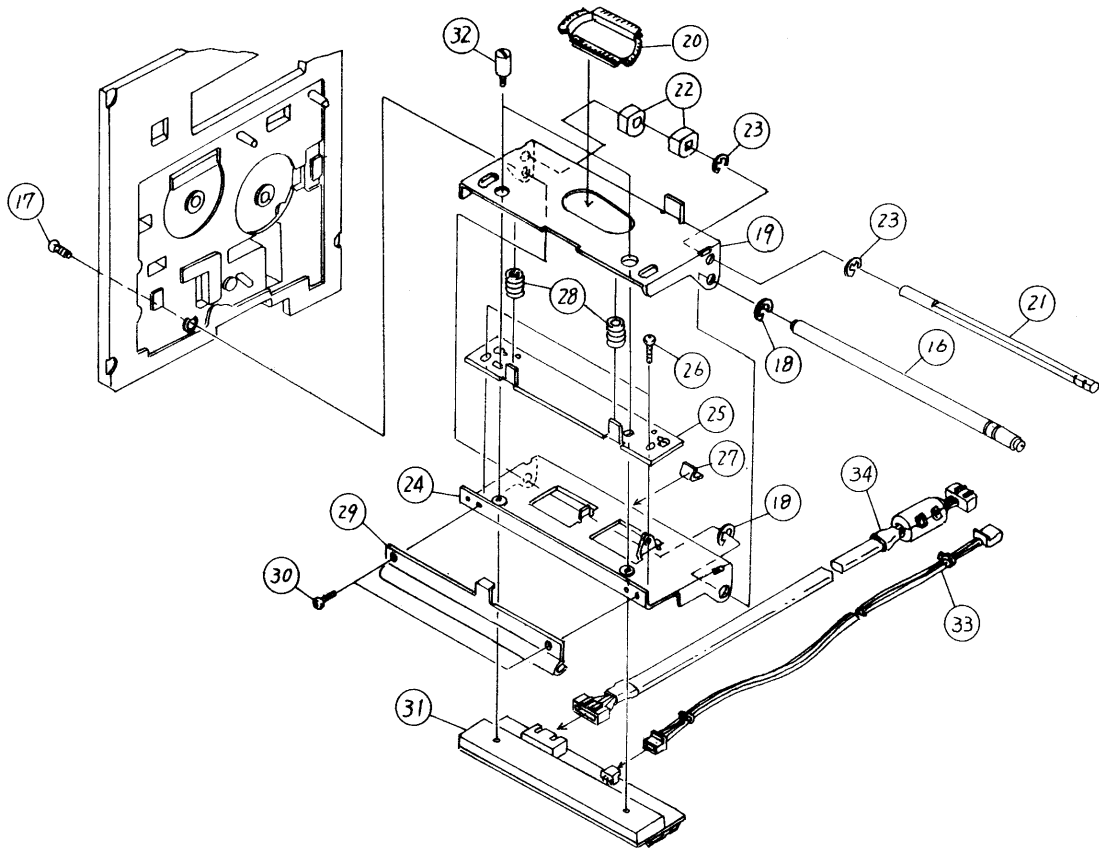
M8460S Opposite Hand

Thermal Head Assembly



M8460S Opposite Hand

Thermal Head Assembly

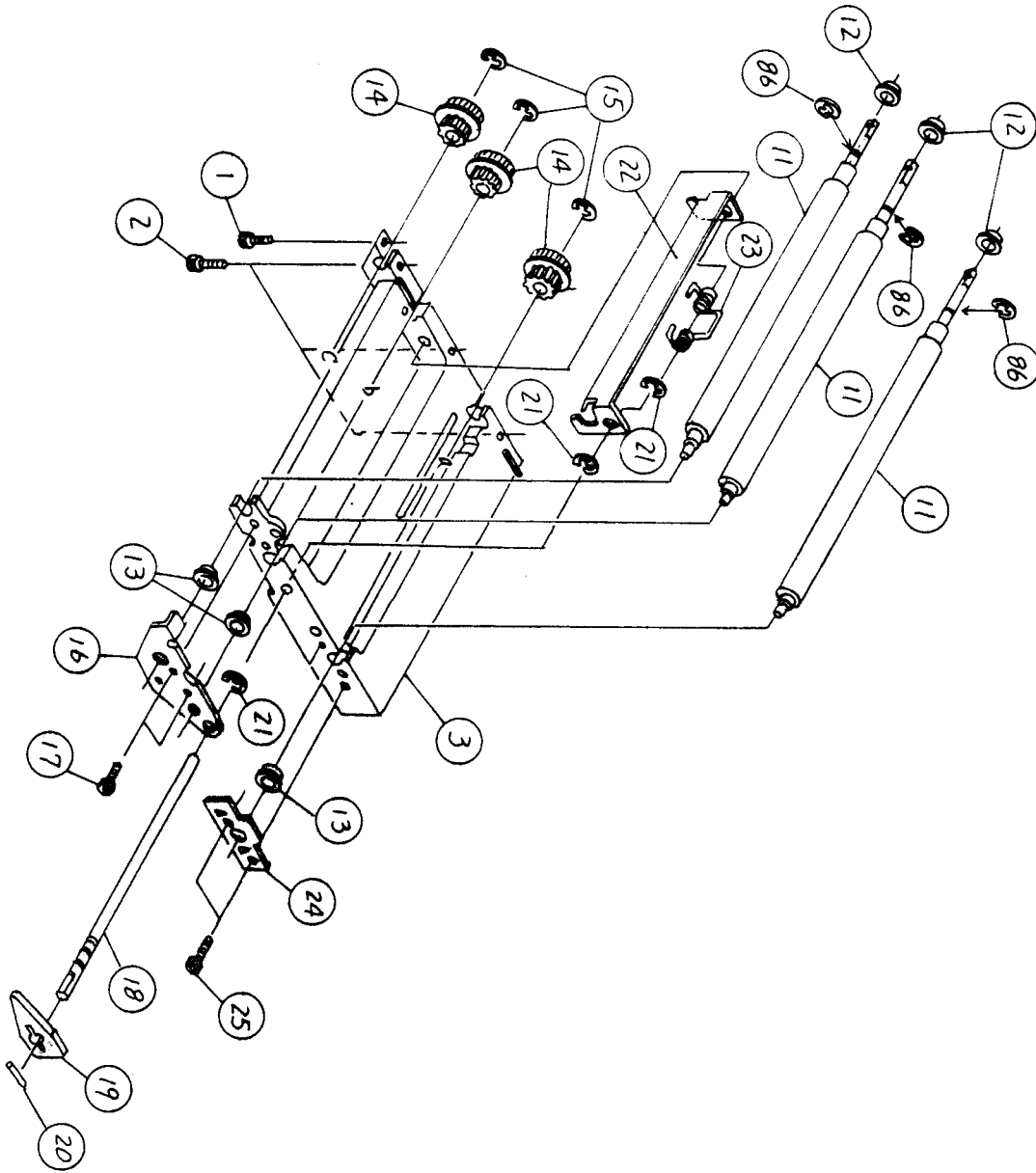


M8460S Opposite Hand

Thermal Head Assembly			
ITEM #	Part Number	Description	QTY
1	PV3739200	Head frame	1
2	MN0401024	Hex bolt	5
3	PA1730300	Plate (adjust)	1
4	PL2730100	Adjust collar	2
5	MN0400824	Hex bolt	1
6	NA0040022	Plain washer	1
7	PR1734800	Pressure cam	1
9	ND0060030	E-snap ring	2
10	PD1730600	Handle (A)	1
11	PA2730600	Latch handle (C)	1
12	PE1730800	Handle (B)	1
13	MN0301024	Hex bolt	2
14	MJ1300424	W-point screw	2
15	PE1730400	Handle (B)	1
16	PB0734800	Shaft (head bracket)	1
17	MN0401024	Hex bolt	1
18	NDOO70030	E-snap ring	2
19	PA3739100	Head bracket (top)	1
20	PV9730202	Bush	1
21	PB0735700	Shaft (adjust cam)	1
22	PE1730300	Adjust cam	2
23	ND0050030	E-snap ring	2
24	PA3739800	Head bracket (bottom)	1
25	PR1733800	Adjust plate	1
26	MD4300622	Pan head screw	2
27	PA4730401	Plate spring (head cam)	1
28	PC1730200	Sparing (head)	2
29	PA3737600	Ribbon plate	1
30	MD3250522	Pan head screw	2
31	GH000661A	Thermal head	1
32	PB5730400	Screw (head)	2
33	RH1730300	HDP cable	1
34	RH1731200	HDS cable	1

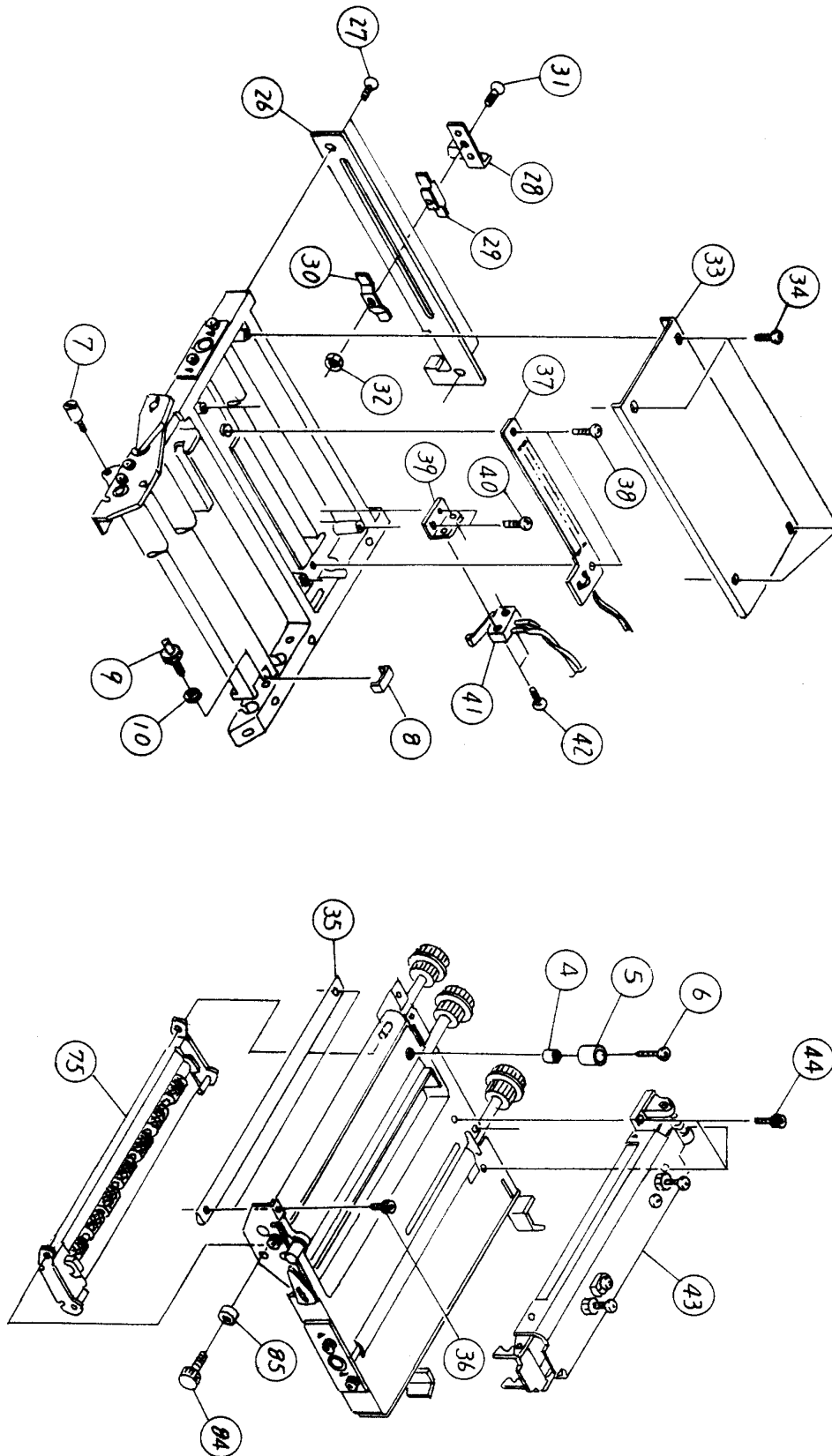
M8460S Opposite Hand

Platen Frame Assembly



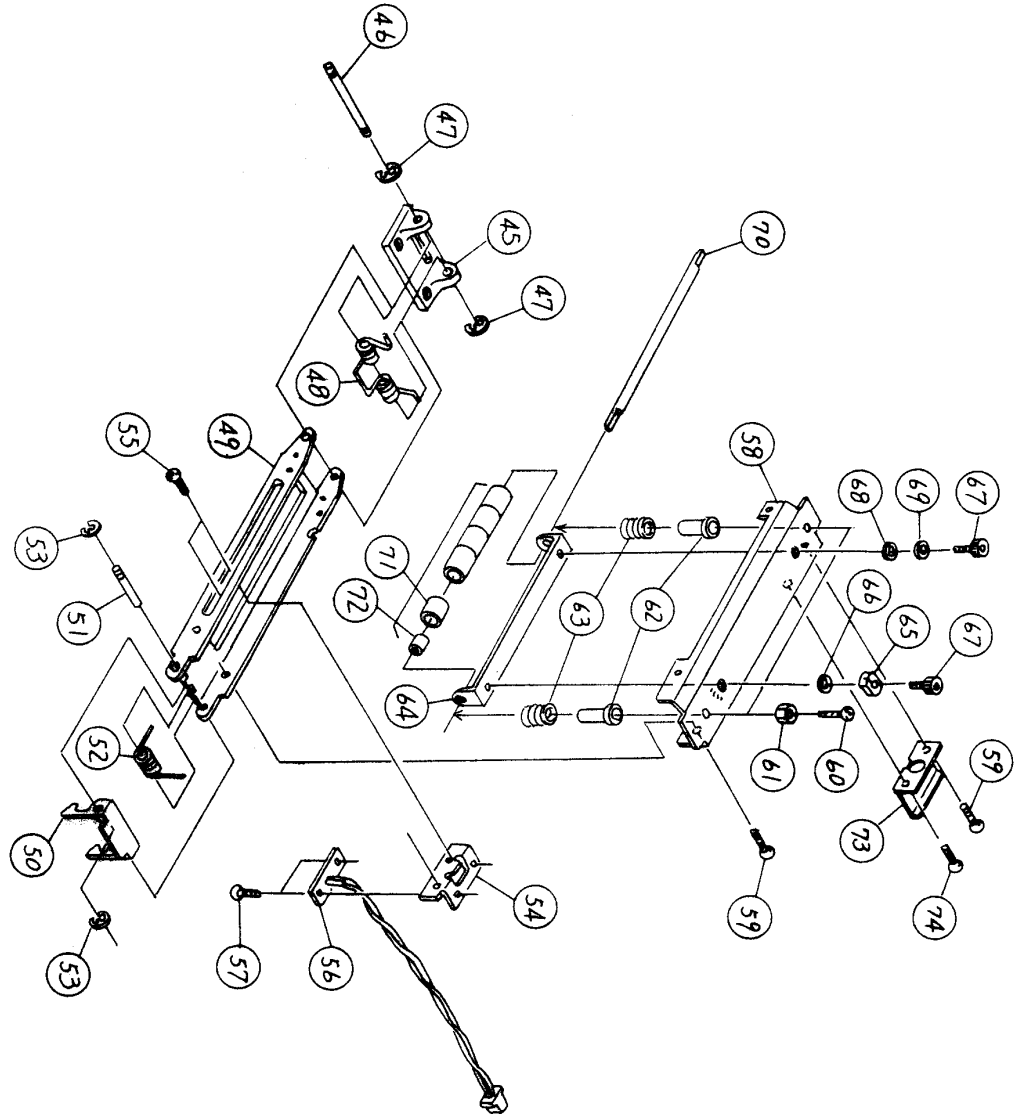
M8460S Opposite Hand

Platen Frame Assembly



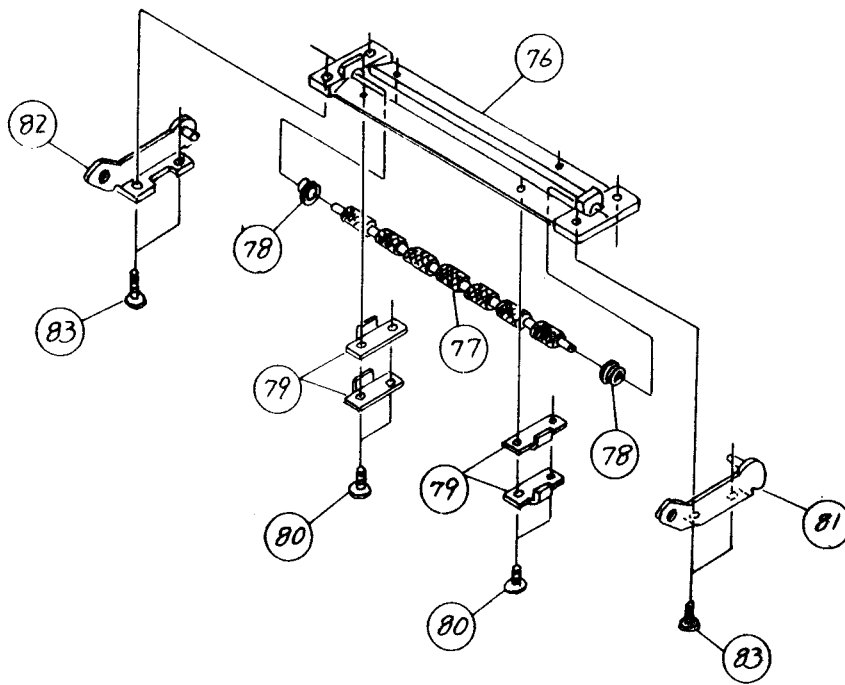
M8460S Opposite Hand

Platen Frame Assembly



M8460S Opposite Hand

Platen Frame Assembly



M8460S Opposite Hand

Platen Frame Assembly			
ITEM #	Part Number	Description	QTY
1	MN0401024	Hex bolt	1
2	MN0402024	Hex bolt	3
3	PR4731700	Platen frame	1
4	PB2740100	Collar	1
5	PE3720300	Roller	1
6	MJ9301022	Thin head screw	1
7	PB0730501	Post (latch)	1
8	PA4730700	Plate spring	1
9	PB0733500	Shaft (holder)	1
10	NB0040022	Spring washer	1
11	PR0730300	Platen roller	3
12	PT1112060	Ball supporter	3
13	PT1109050	Ball supporter	3
14	PE8730200	Pulley	3
15	ND0040030	E-snap ring	3
16	PA1732100	Supporter clamp (A)	1
17	MN0400824	Hex bolt	2
18	PB0735600	Shaft (latch handle C)	1
19	PE1730700	Handle (C)	1
20	NG2201030	Pin	1
21	ND0030030	E-snap ring	3
22	PA3737700	Latch handle (holder)	1
23	PC3730101	Spring (latch handle)	1
24	PA1732000	Supporter clamp (B)	1
25	MN1400824	Hex bolt	2
26	PA3739200	Paper guide	1
27	MN1400824	Hex bolt	2
28	PA3739300	Slide guide	1
29	PE1730200	Slider	1
30	PA4730100	Slide spring	1
31	MA0301022	Pan head screw	1
32	MT1300522	Hex nut	1
33	PA6730200	Cover (SEN1)	1
34	MA0300522	Pan head screw	4
35	PD1731600	Dispense bar	1

M8460S Opposite Hand

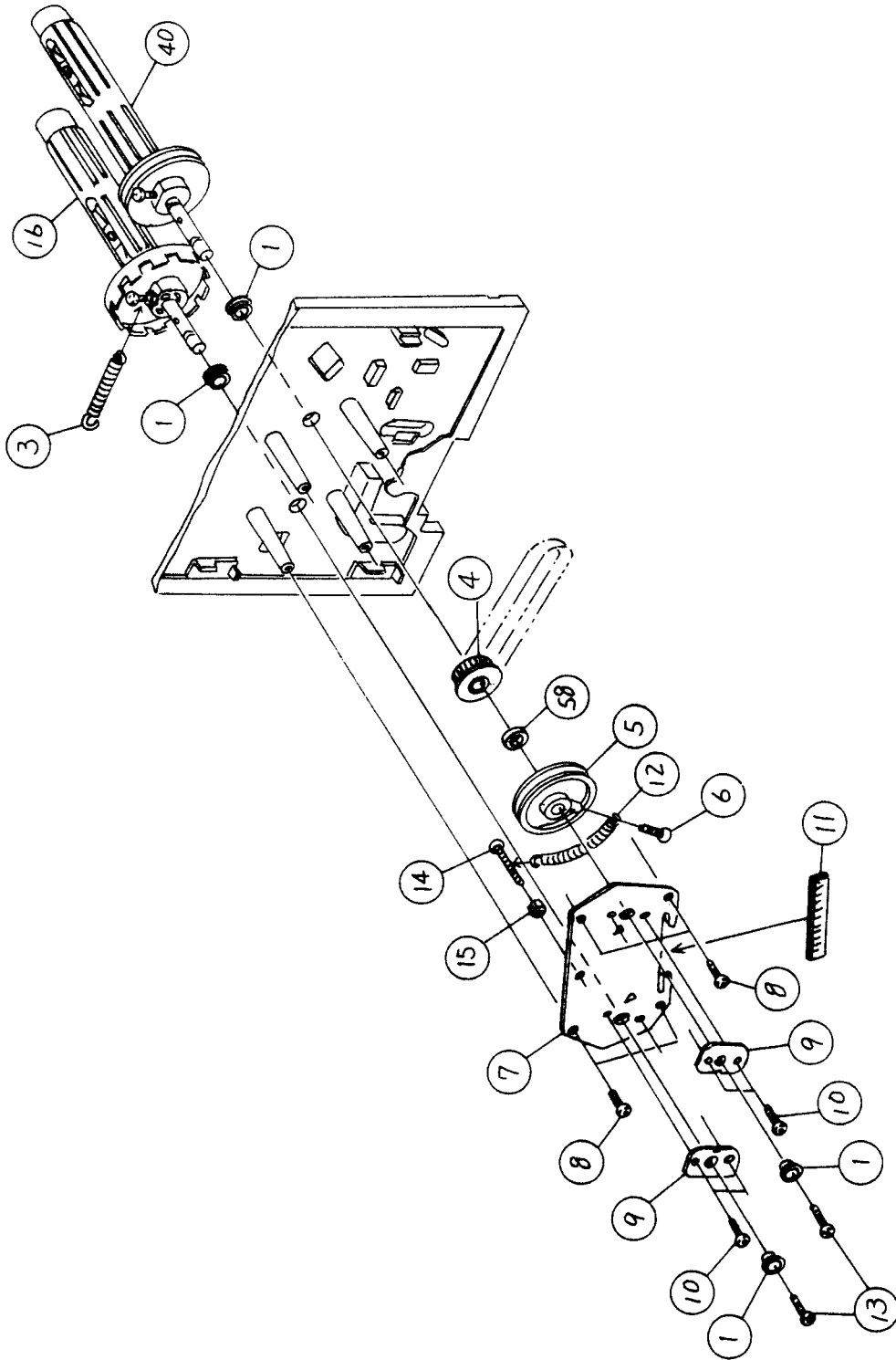
Platen Frame Assembly			
ITEM #	Part Number	Description	QTY
36	MN0300624	Hex bolt	2
37	RH1732500	SEN 1 cable	1
38	MD4300622	Pan head screw	2
39	PA3738000	Micro switch bracket	1
40	MC0300622	Pan head screw	2
41	RH1731500	SEN 7 cable	1
42	MA0200821	Pan head screw	2
43	RB2736100	Paper lid	1
44	MN0300624	Hex bolt	3
45	PV0730200	Paper lid bracket	1
46	PB0735100	Shaft (kid)	1
47	ND0020030	E-snap ring	2
48	PC2730200	Spring (open)	1
49	PA3739500	Paper lid (bottom)	1
50	PA3731700	Latch handle	1
51	PB0730900	Shaft (latch)	1
52	PC2730100	Spring (latch)	1
53	ND0020030	E-snap ring	2
54	PA3734400	Sensor bracket (pitch)	1
55	MD4300622	Pan head screw	1
56	RH1732600	SEN 2 cable	1
57	MJ9300622	Thin head screw	2
58	PA3739600	Paper lid (top)	1
59	MC0300622	Pan head screw	2
60	MA0301022	Pan head screw	2
61	MT1300522	Hex nut	2
62	PE2730300	Stopper collar	2
63	PC1730300	Spring (pressure)	2
64	PA3738300	Roller bracket	1
65	PL2730100	Adjust collar	1
66	PA0730400	Washer	1
67	MN0400624	Hex bolt	2
68	NB0040022	Spring washer	1
69	NA0040022	Plain washer	1
70	PB0735200	Shaft (pressure roller)	1

M8460S Opposite Hand

Platen Frame Assembly			
ITEM #	Part Number	Description	QTY
71	PE3720200	Roller	5
72	PE3720500	Roller	5
73	PA3739700	Paper guide (lid)	1
74	MC0300622	Pan head screw	1
75	RB6730500	Pressure roller	1
76	PL1731400	Roller holder (pressure)	1
77	PB0735300	Pressure roller	1
78	PT1108040	Ball supporter	2
79	PA4730300	Plate spring	4
80	MJ9300622	Thin head screw	4
81	PR1732800	Plate (holder)(F)	1
82	PR1732900	Plate (holder)(R)	1
83	MA1300822	Flat head screw	4
84	PB0733601	Screw	1
85	PE2730600	Collar	1
86	ND0050030	E-snap ring	3

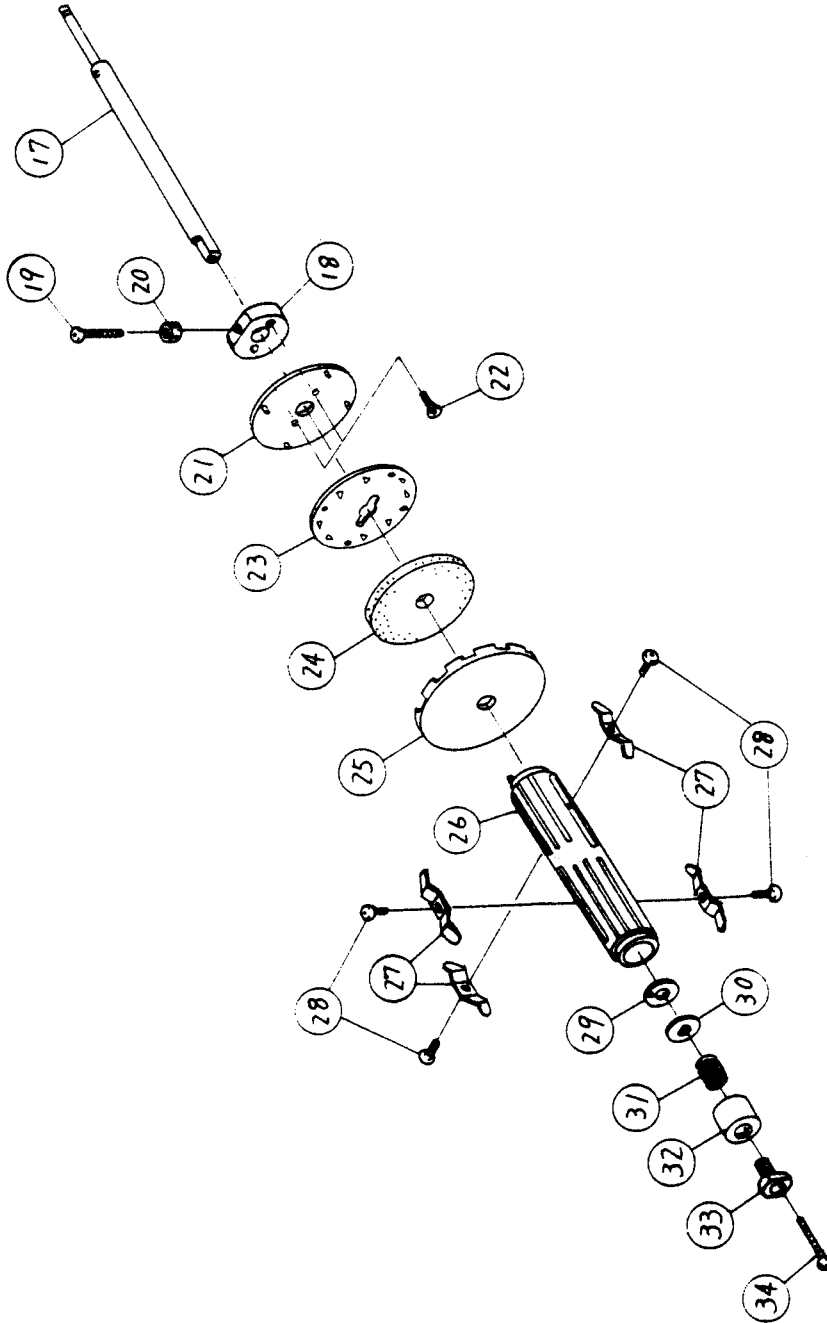
M8460S Opposite Hand

Ribbon Assembly



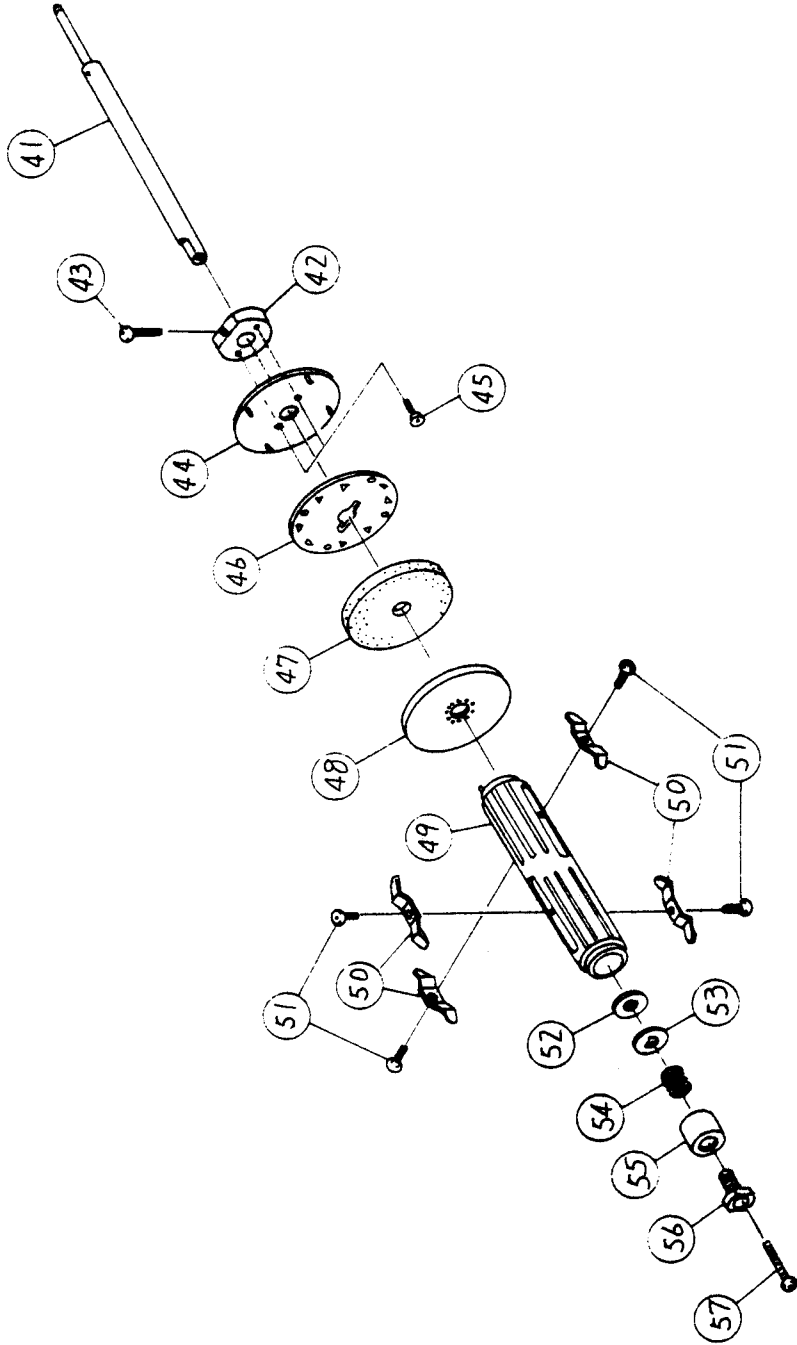
M8460S Opposite Hand

Ribbon Assembly



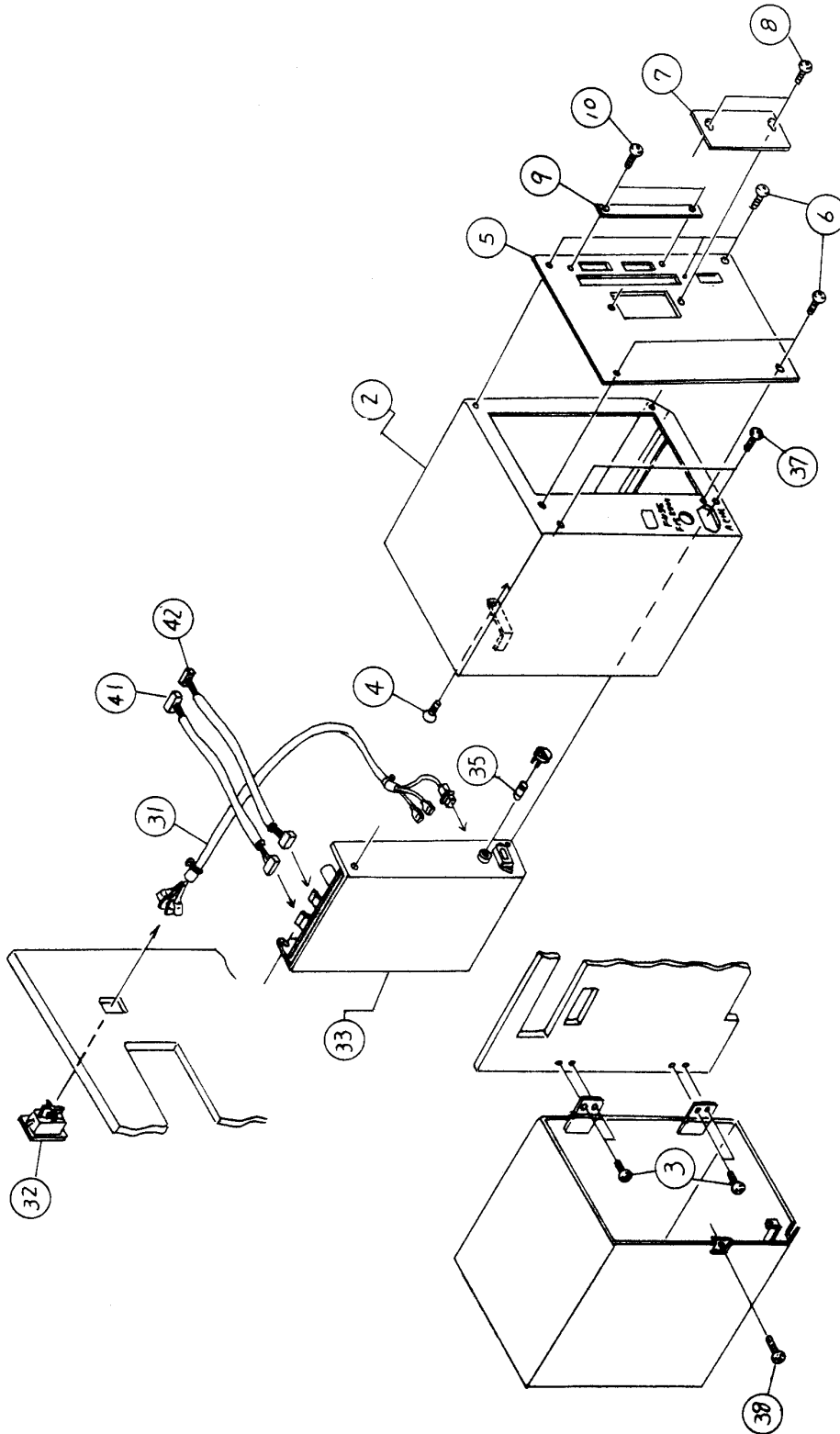
M8460S Opposite Hand

Ribbon Assembly



M8460S Opposite Hand

Cover Assembly



M8460S Opposite Hand

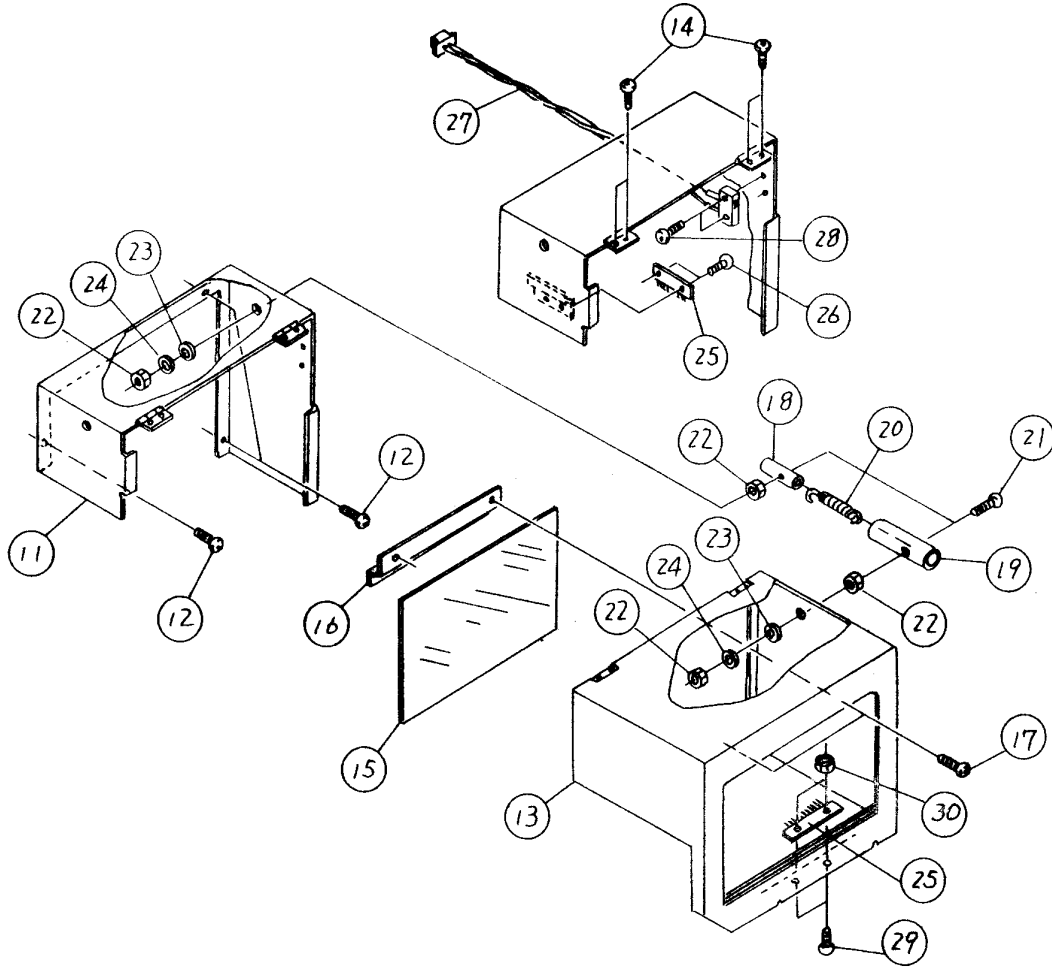
Ribbon Assembly			
ITEM #	Part Number	Description	QTY
1	PT1112080	Ball supporter	4
3	PC0730100	Spring (back)	1
4	PR1731900	Pulley	1
5	PR1734400	Pulley	1
6	MH0300822	P-tight screw	1
7	PA1731800	Ribbon frame	1
8	MC0401022	Pan head screw	4
9	PA1731000	Adjust plate	2
10	MD4300622	Pan head screw	4
11	PV9730100	Bush	1
12	PC0740200	Spring (back)	1
13	MD4400822	Pan head screw	2
14	MA0401622	Pan head screw	1
15	MT1400722	Hex nut	1
16	RC2730500	Ribbon sub (unwind)	1
17	PB0734100	Shaft (ribbon)	1
18	PE4720200	Plate holder	1
19	MA0302522	Pan head screw	1
20	MT1300522	Hex nut	1
21	PA0730100	Guide plate	1
22	MH1250621	P-tight screw	2
23	PA0730200	Hold plate	1
24	PA0680300	Washer	1
25	PE7720100	Disk plate (A)	1
26	PR1720300	Ribbon boss	1
27	PA4690900	Spring	4
28	MH0300521	P-tight screw	4
29	PT2301020	Washer	1
30	PA0680400	Disk	1
31	PC1730100	Spring (ribbon)	1
32	PE2730100	Stopper collar	1
33	PB5730100	Adjust screw	1
34	MA0303022	Pan head screw	1
40	RC2730600	Ribbon sub (rewind)	1
41	PB0734100	Shaft (ribbon)	1

M8460S Opposite Hand

Ribbon Assembly			
ITEM #	Part Number	Description	QTY
42	PE4720200	Plate holder	1
43	MA0301822	Pan head screw	1
44	PA0730100	Guide plate	1
45	MH1250621	P-tight screw	2
46	PA0730200	Hold plate	2
47	PA0680300	Lining	1
48	PE1681100	Guide plate (B)	1
49	PR1720300	Ribbon boss	1
50	PA4690900	Spring	4
51	MH0300521	P-tight screw	4
52	PT2301020	Dry metal	1
53	PA0680400	Disk	1
54	PC1730100	Spring (ribbon)	1
55	PE2730100	Stopper collar	1
56	PB5730100	Adjust screw	1
57	MA0303022	Pan head screw	1
58	PB2691100	Ribbon shaft collar	1

M8460S Opposite Hand

Cover Assembly



M8460S Opposite Hand

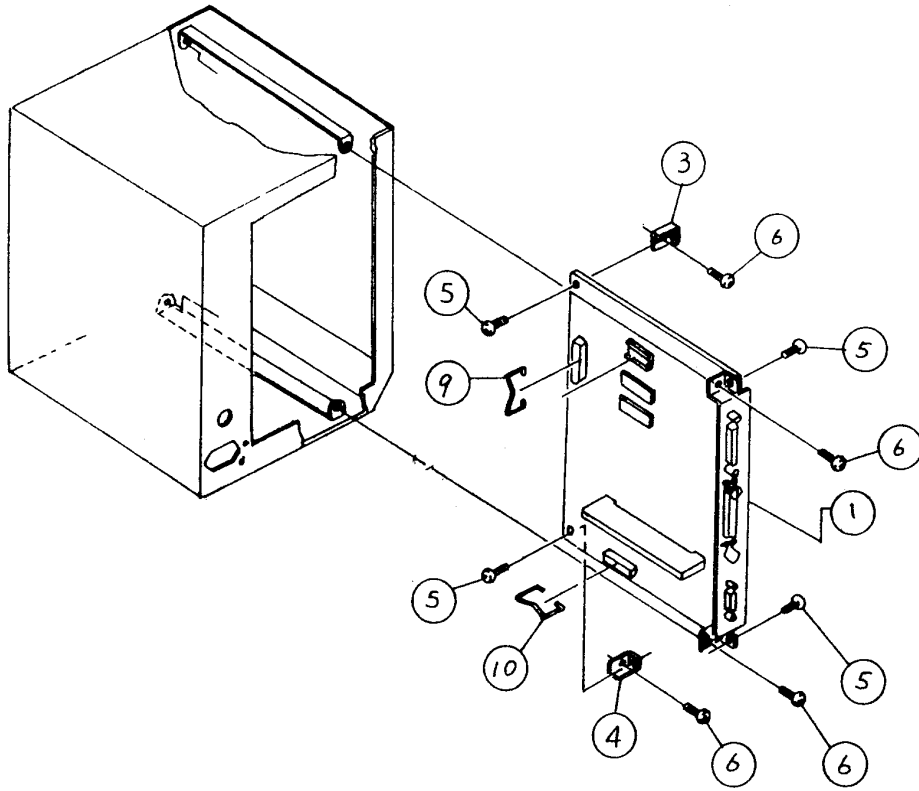
Cover Assembly			
ITEM #	Part Number	Description	QTY
2	PH1731002	Close cover (A)	1
3	MC0301022	Pan head screw	4
4	MC0401022	Pan head screw	1
5	PH1732200	Close cover (B)	1
6	MC0301022	Pan head screw	5
7	PH1732000	Close cover (C)	1
8	MD4300622	Pan head screw	2
9	PA1730900	Sub cover	1
10	MC0300622	Pan head screw	2
11	PH1731400	Cover bracket	1
12	MC0301022	Pan head screw	3
13	PH1732300	Open cover (A)	1
14	MA0300625	Truss screw	4
15	PH2730100	Open cover (B)	1
16	PH1730700	Set plate	1
17	MA0300625	Truss screw	2
18	PB2730700	SP case (A)	1
19	PE6730400	SP case (B)	1
20	PC0730300	Spring (open)	1
21	PB0013700	Spring shaft	2
22	MT3020621	Hex nut	4
23	NA1060022	Plain washer	2
24	NB0060022	Spring washer	2
25	PR1340500	Anti static brush	2
26	MD4300622	Pan head screw	2
27	RH1732700	SEN 6 cable	1
28	MA0200821	Pan head screw	2
29	MA0300625	Truss screw	2
30	MT1300522	Hex nut	2
31	RH1730500	POW switch cable	1
32	GA300161A	POW switch	1
33	PR7730100	Power supply 115V	1
35	HD100301A	Fuse (UL CSA)	1

M8460S Opposite Hand

Cover Assembly			
ITEM #	Part Number	Description	QTY
37	MC0301022	Pan head screw	2
38	MC0401022	Pan head screw	1
41	RH1732000	POW 1 cable	1
42	RH1732100	POW 2 cable	1

M8460S Opposite Hand

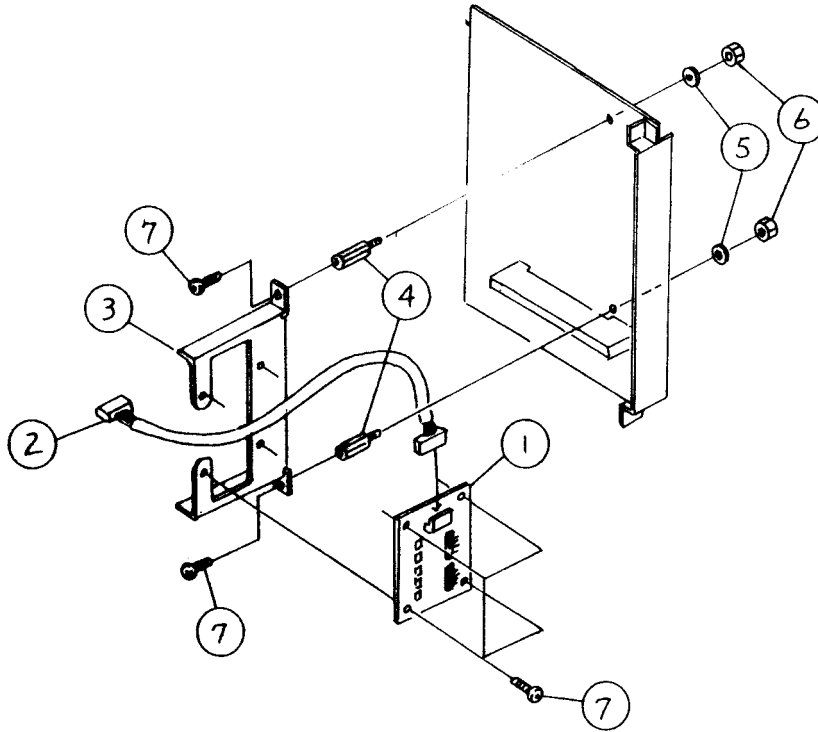
Main PCB Assembly



Main PCB Assembly			
ITEM #	Part Number	Description	QTY
1	RJ1731100	Main PCB	1
3	PA3735400	PCB bracket (af)	1
4	PA3735500	PCB bracket (bf)	1
5	MD4300622	Pan head screw	2
6	MD4300622	Pan head screw	4
9	PC9730100	Spring (lock)	1
10	PC9680000	Lock spring	1

M8460S Opposite Hand

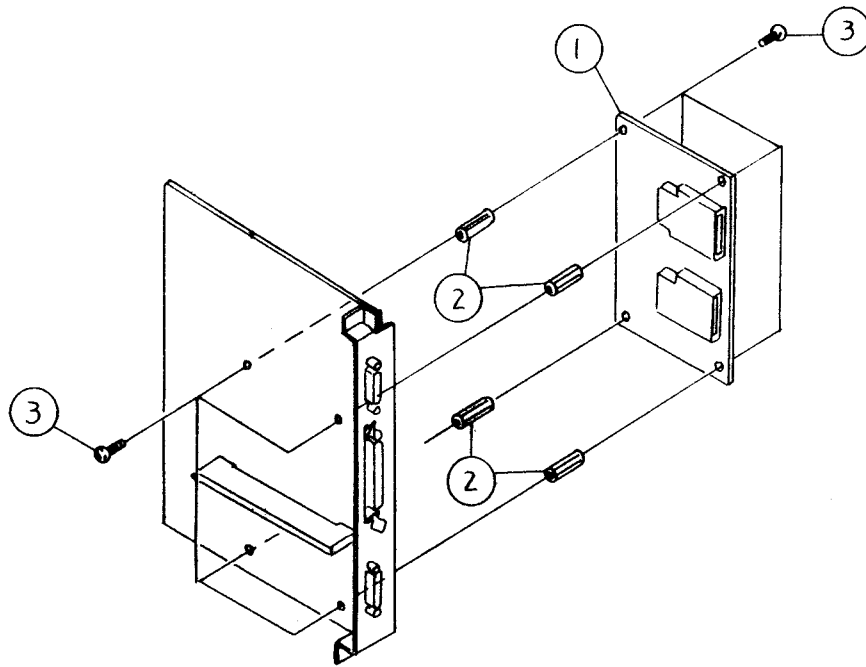
Check PCB Assembly



Check PCB Assembly			
ITEM #	Part Number	Description	QTY
1	RJ4730600	Check PCB	1
2	RH4730000	Check cable	1
3	PA3736600	PCB bracket	1
4	PT9681600	Spacer	2
5	NA0030022	Plain washer	2
6	MT1300522	Hex nut	2
7	MD4300822	Pan head screw	6

M8460S Opposite Hand

Memory Card PCB Assembly (Option)



Memory Card PCB Assembly (Option)			
ITEM #	Part Number	Description	QTY
1	RJ1723100	Card PCB set	1
2	PT9730000	Spacer	4
3	MD3300622	Pan head screw	8