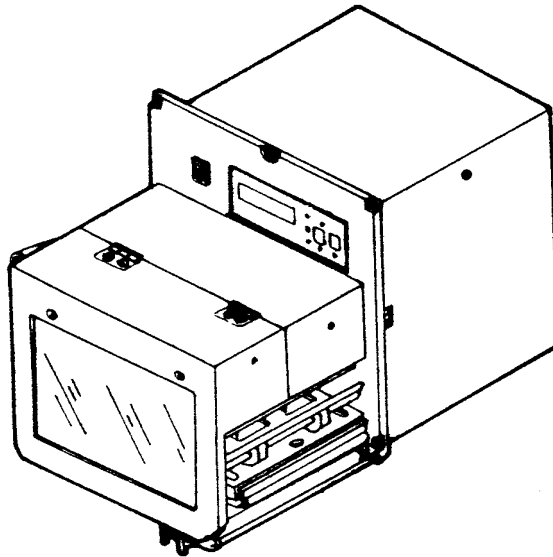




M8485S/ Opposite Hand Parts List



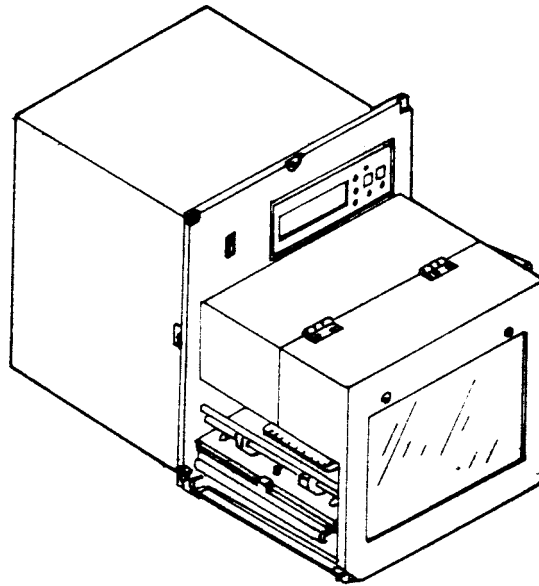
Please note that this list is divided into two sections. Use the second section (pages 30-58) if your printer S/N is between 50100000 and 70699999. For all other serial numbers please use the first section (pages 3-29)

P/N 9001049 REV. E



M8485S/ Opposite Hand Parts List

(Use this section for all serial numbers other than 50100000 to 70699999)



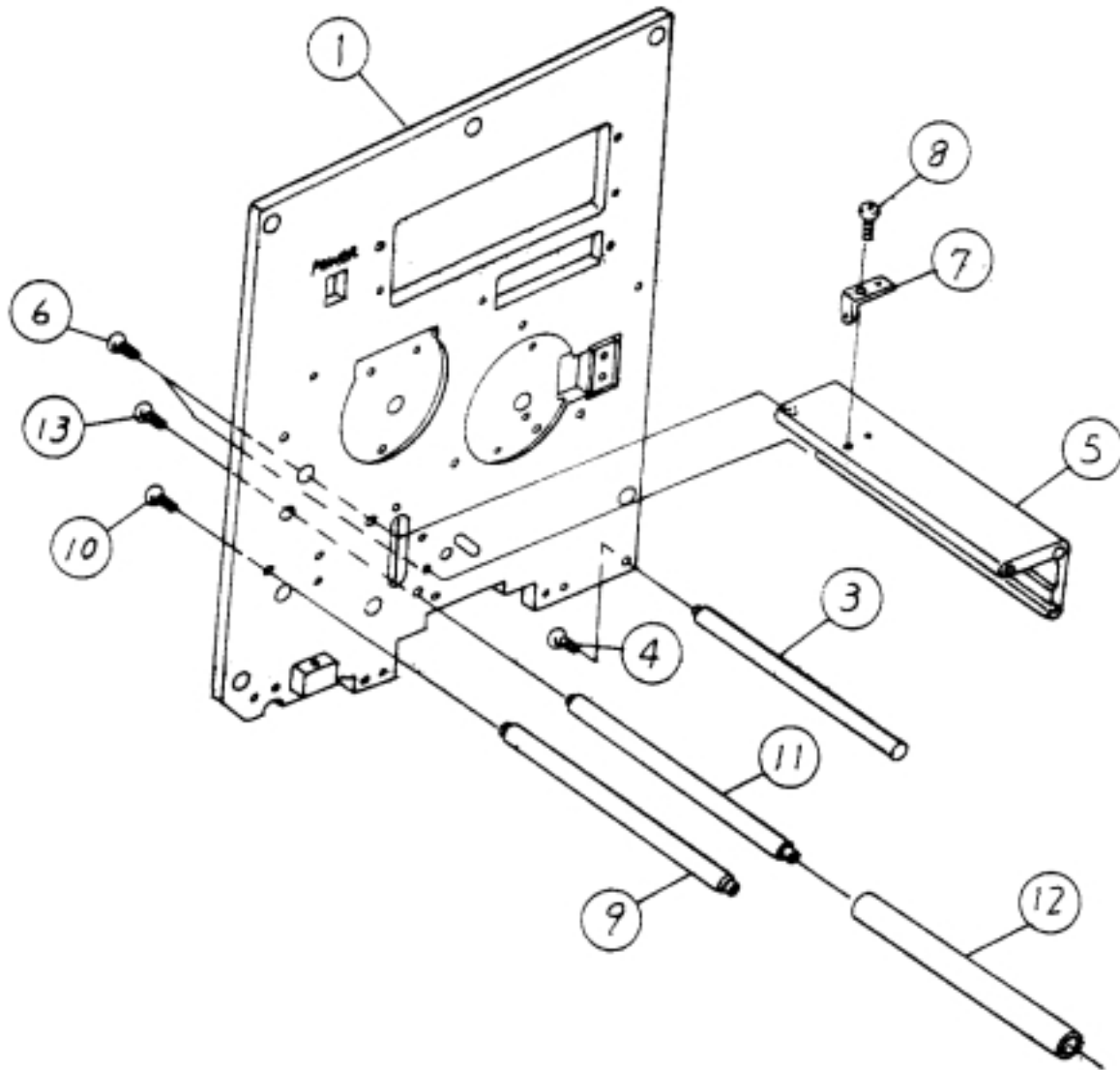
**SATO America, Inc.
10350-A Nations Ford Rd.
Charlotte, NC 28273
Tel (704) 644-1650
Fax (704) 644-1662**

M8485S Opposite Hand

Description	Page #
Frame Assembly	4-10
Thermal Head Assembly	11-13
Ribbon Assembly	14-17
Feed Roller Assembly	18-21
Pressure Roller Assembly	22-22
Cover Assembly	23-25
Main PCB Assembly	26-26
Check PCB Assembly	27-27
Card PCB Assembly	28-28

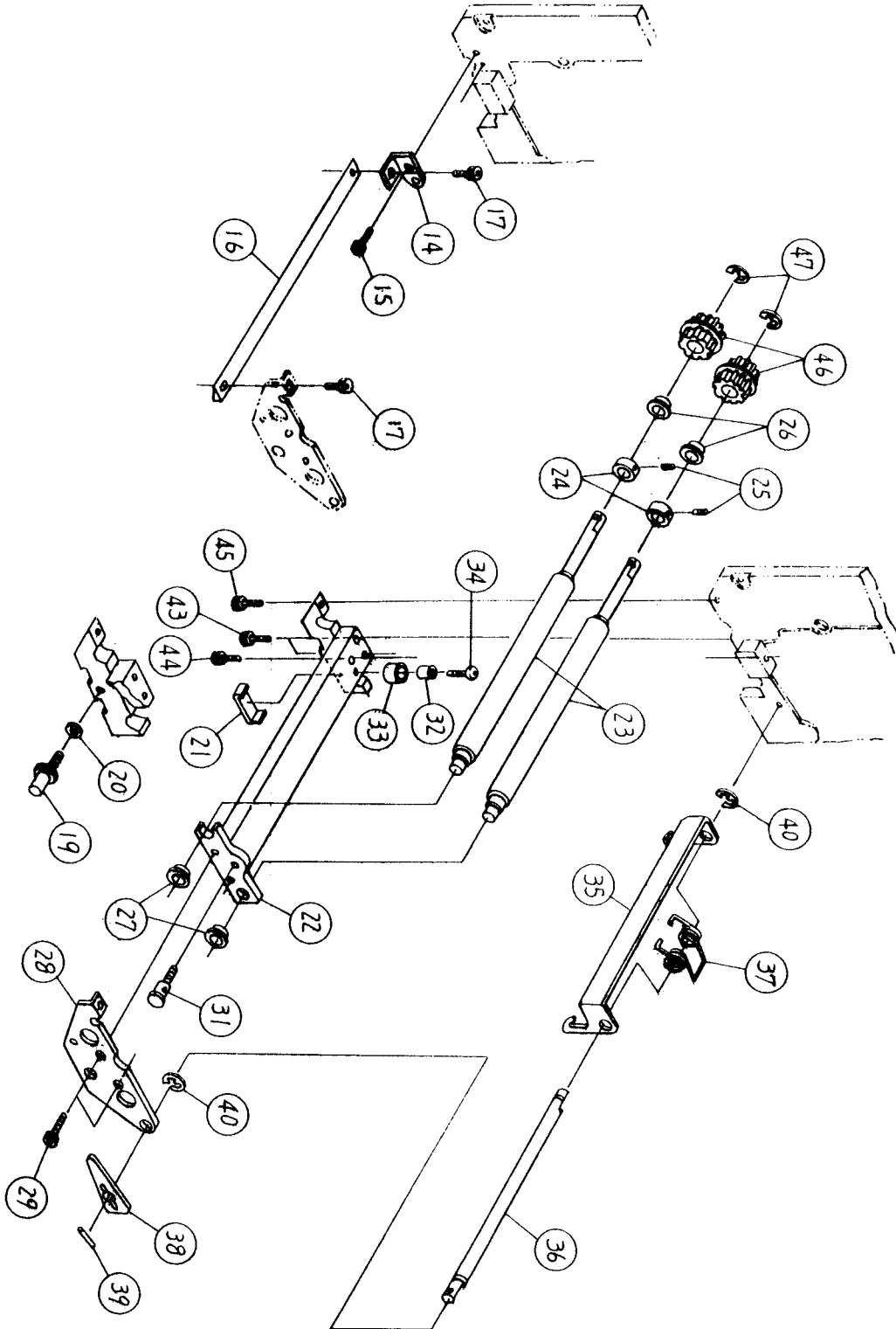
M8485S Opposite Hand

M8485S Frame Assembly



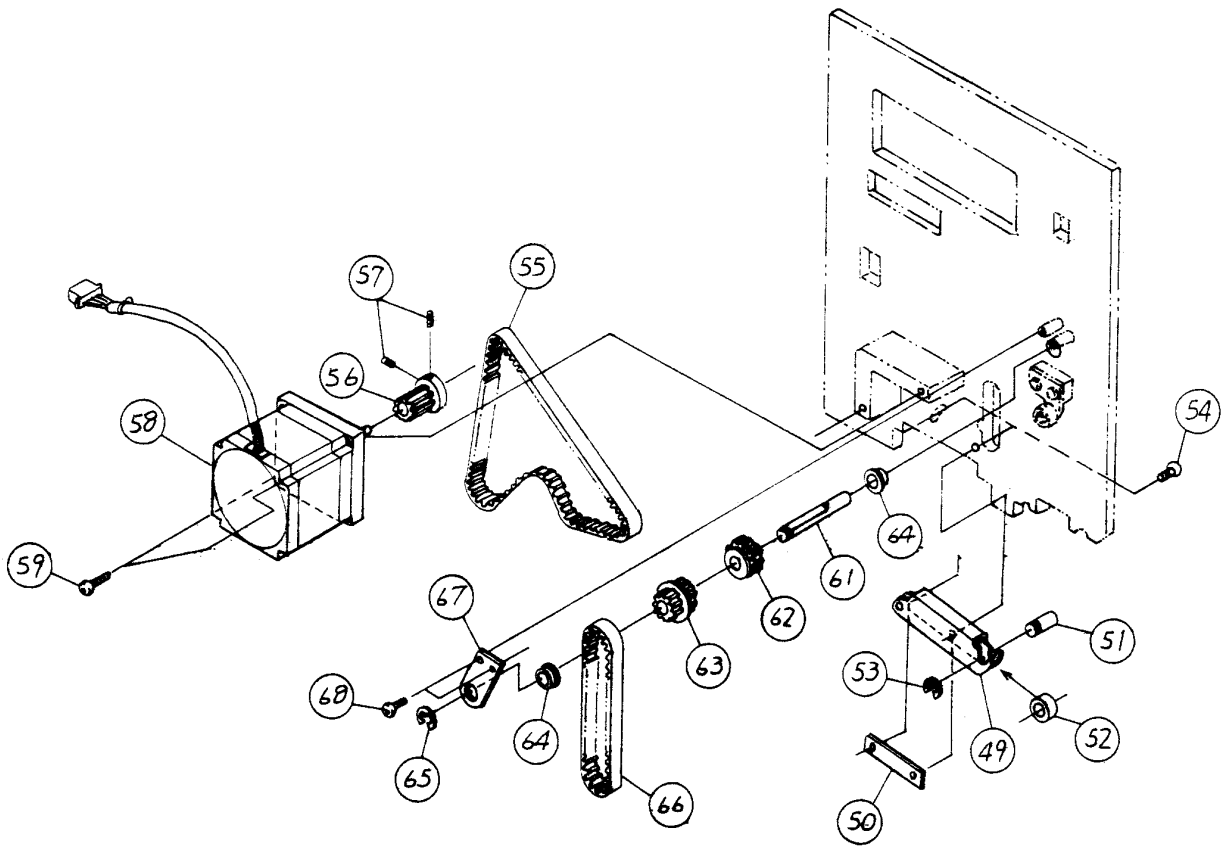
M8485S Opposite Hand

M8485S Frame Assembly



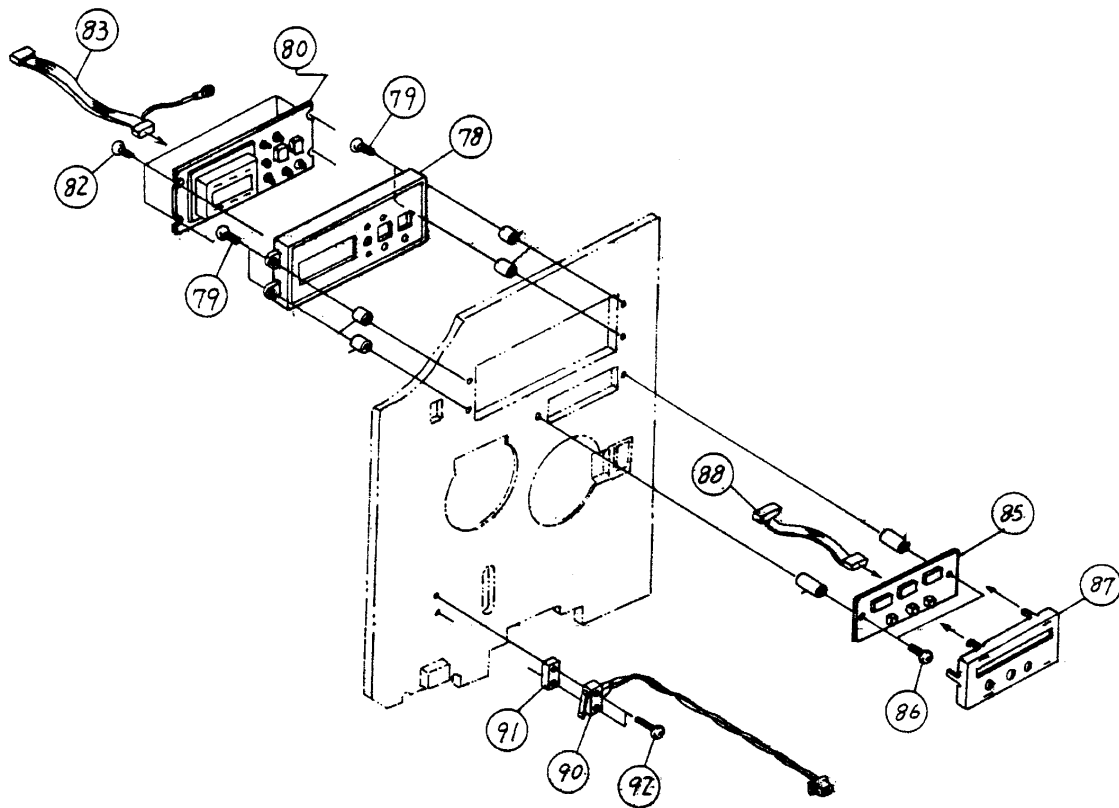
M8485S Opposite Hand

M8485S Frame Assembly



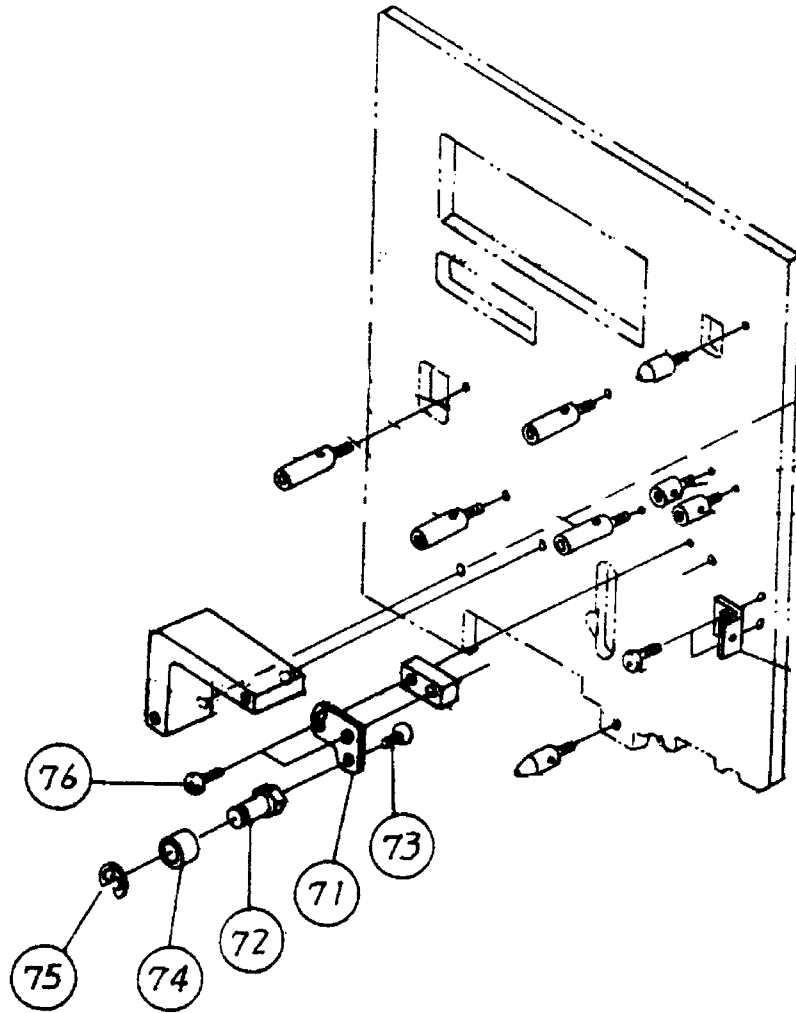
M8485S Opposite Hand

M8485S Frame Assembly



M8485S Opposite Hand

M8485S Frame Assembly



M8485S Opposite Hand

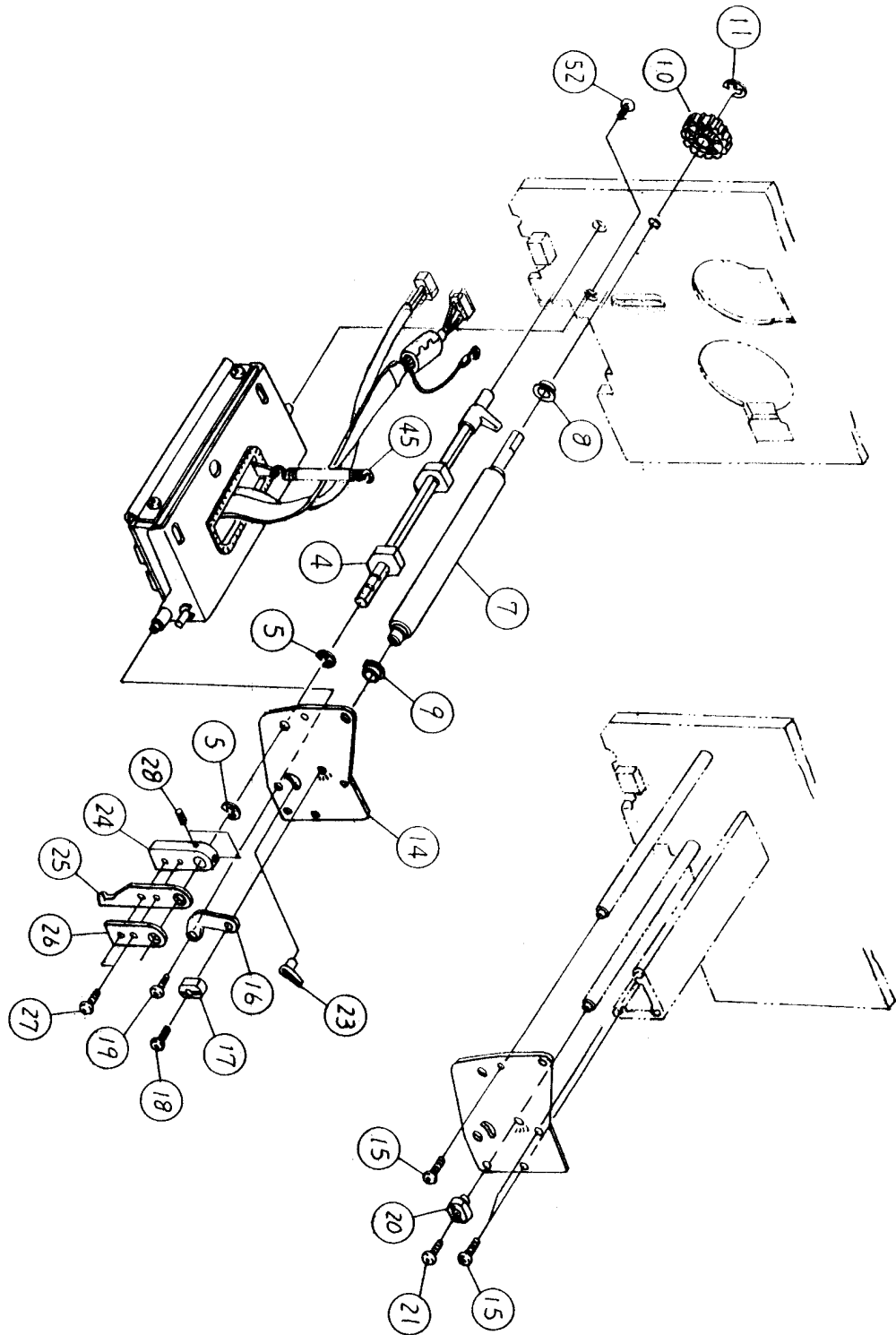
FRAME ASSY			
Item #	Part number	Description	QTY
1	PR1734100	Engine frame	1
3	PB0540101	Guide post	1
4	MC0401022	Pan head screw	1
5	PR1731701	Stay	1
6	MC0401222	Pan head screw	2
7	PA3732500	Spring bracket	1
8	MC0300622	Pan head screw	1
9	PB0731500	Shaft (support)	1
10	MC0401022	Pan head screw	1
11	PB0732800	Shaft (Ribbon adjust)	1
12	PR1730300	Roller	1
13	MC0401022	Pan head screw	1
14	PA3738400	Dispense bar bracket	1
15	MN0300824	Hex bolt	1
16	PD1731300	dispense bar	1
17	MN0300624	Hex bolt	2
19	PB0733500	Shaft (holder)	1
20	NB0040022	Spring washer	1
21	PA4730700	Plate spring	1
22	PD1732000	Platen frame	1
23	PR0730100	Platen roller	2
24	PB2730100	Collar	2
25	MJ1300424	W-point screw	2
26	PT1112060	Ball supporter	2
27	PT1109050	Ball supporter	2
28	PA1732100	Supporter clamp (A)	1
29	MN0400824	Hex bolt	2
31	PB0730500	Post (latch)	1
32	PB2740100	Collar	1
33	PE3720300	Roller	1
34	MD4301222	Pan head screw	1
35	PA3736400	Latch handle (holder)	1
36	PB0735400	Shaft (latch handle)	1
37	PC3730101	Spring (latch handle)	1
38	PE1730700	Handle (C)	1
39	NG2201030	Pin	1
40	ND0030030	E-snap ring	2
43	MN0403024	Hex bolt	2
44	MN0401624	Hex Bolt	1
45	MN0401024	Hex bolt	1
46	PE8730200	Pulley	2
47	ND0040030	E-snap ring	2
49	PA3734800	Pulley bracket	1

M8485S Opposite Hand

FRAME ASSY			
Item #	Part number	Description	QTY
50	PA2730700	Plate nut	1
51	PB0731600	Shaft (roller)	1
52	PR1730600	Tension roller	1
53	ND0040030	E-snap ring	1
54	MD4402022	Pan head screw	2
55	PT8190064	Timing belt	1
56	PL1720100	Motor pulley	1
57	MJ1400524	W-point screw	2
58	RH1730600	STP cable	1
59	MC0401222	Pan head screw	2
61	PB0731701	Shaft (idle)	1
62	PE8730100	Gear	1
63	PE8730300	Pulley	1
64	PT1112060	Ball supporter	2
65	ND0040030	E-snap ring	1
66	PT8150064	Timing belt	1
67	PR4730700	Shaft bracket	1
68	MC0401022	Pan head screw	2
71	PA1730700	Tension bracket	1
72	PB0730600	Post (tension)	1
73	MD4400822	Pan head screw	1
74	PR1730600	Tension roller	1
75	ND0040030	E-snap ring	1
76	MD4301622	Pan head screw	2
78	PR4730501	Key board cover	1
79	MD4301622	Pan head screw	4
80	RJ2730200	KB PCB set EX1	1
82	MH0300821	P-tight screw	4
83	RH1731300	PSW cable	1
85	RJ2730100	DSW PCB set	1
86	MD3301222	Pan head screw	2
87	PH0730200	DSW cover	1
88	RH1731600	DSW cable	1
90	RH1731100	SEN5 cable	1
92	MD3201221	Pan head screw	2

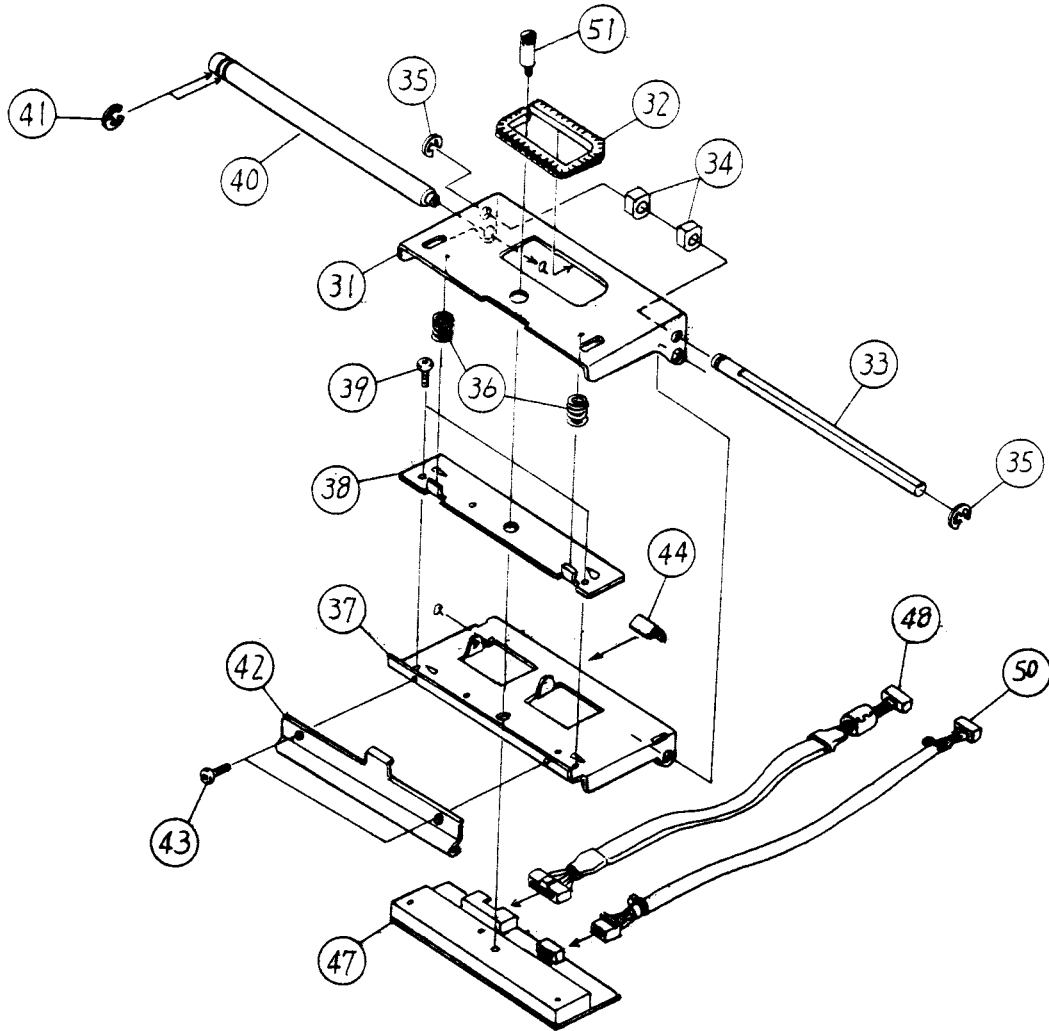
M8485S Opposite Hand

M8485S Thermal Head Assembly



M8485S Opposite Hand

M8485S Thermal Head Assembly

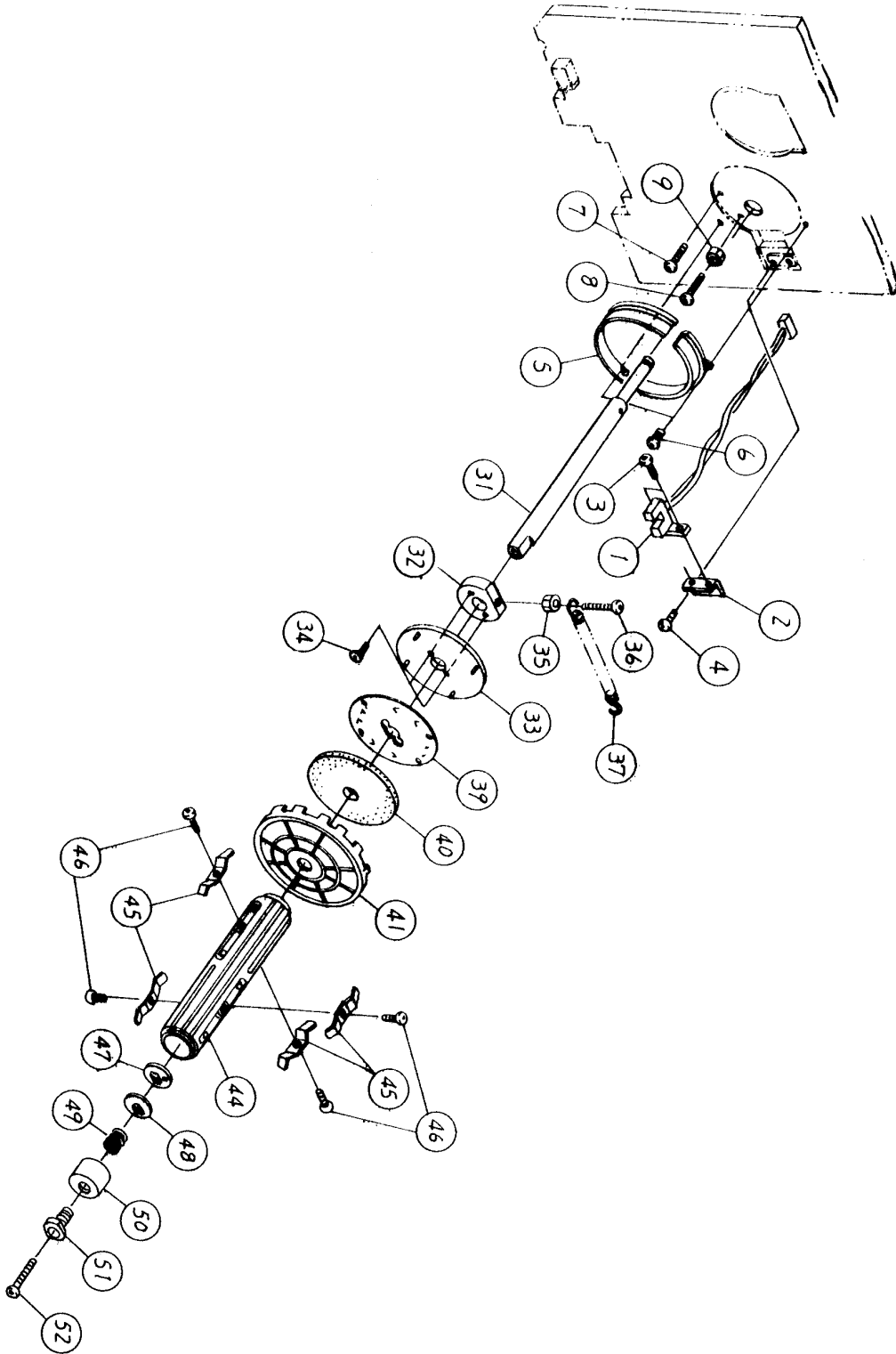


M8485S Opposite Hand

Thermal Head Assembly			
Item #	Part Number	Description	qty
4	PR1731800	Pressure cam	1
5	ND0060030	E-snap ring	2
7	PR0730200	Feed roller	1
8	PT1112060	Ball supporter	1
9	PT1109050	Ball supporter	1
10	PE8730100	Gear	1
11	ND0040030	E-snap ring	1
14	PA2730500	Head frame	1
15	MC0401022	Pan head screw	3
16	PA1730300	Plate (adjust)	1
17	PL2720100	Adjust collar	1
18	MD4300822	Pan head screw	1
19	MC0401022	Pan head screw	1
20	PL2730100	Adjust collar	1
21	MD4401022	Pan head screw	1
23	PE1730400	Handle (B)	1
24	PD1730600	Handle (A)	1
25	PA2730600	Latch handle (C)	1
26	PD1731200	Handle (B)	1
27	MD4301022	Pan head screw	2
28	MJ1300424	W-point screw	2
31	PA3732300	Head bracket (up)	1
32	PV9730200	Bush	1
33	PB0732700	Shaft (adjust cam)	1
34	PE1730300	Adjust cam	2
35	ND0050030	E-snap ring	2
36	PC1730200	Spring (head)	2
37	PR4731100	Head bracket (low)	1
38	PR1730200	Adjust plate	1
39	MD4300622	Pan head screw	2
40	PB0732601	Shaft (head bracket)	1
41	ND0070030	E-snap ring	2
42	PA3732100	Ribbon plate	1
43	MD3250522	Pan head screw	2
44	PA4730401	Plate spring (head cam)	1
45	PC0730200	Sparing (head open)	1
47	GH000441A	Thermal head	1
48	RH1731200	HDS cable	1
50	RH1730300	HDP cable	1
51	PB5730300	Screw (head)	1
52	MC0401022	Pan head screw	1

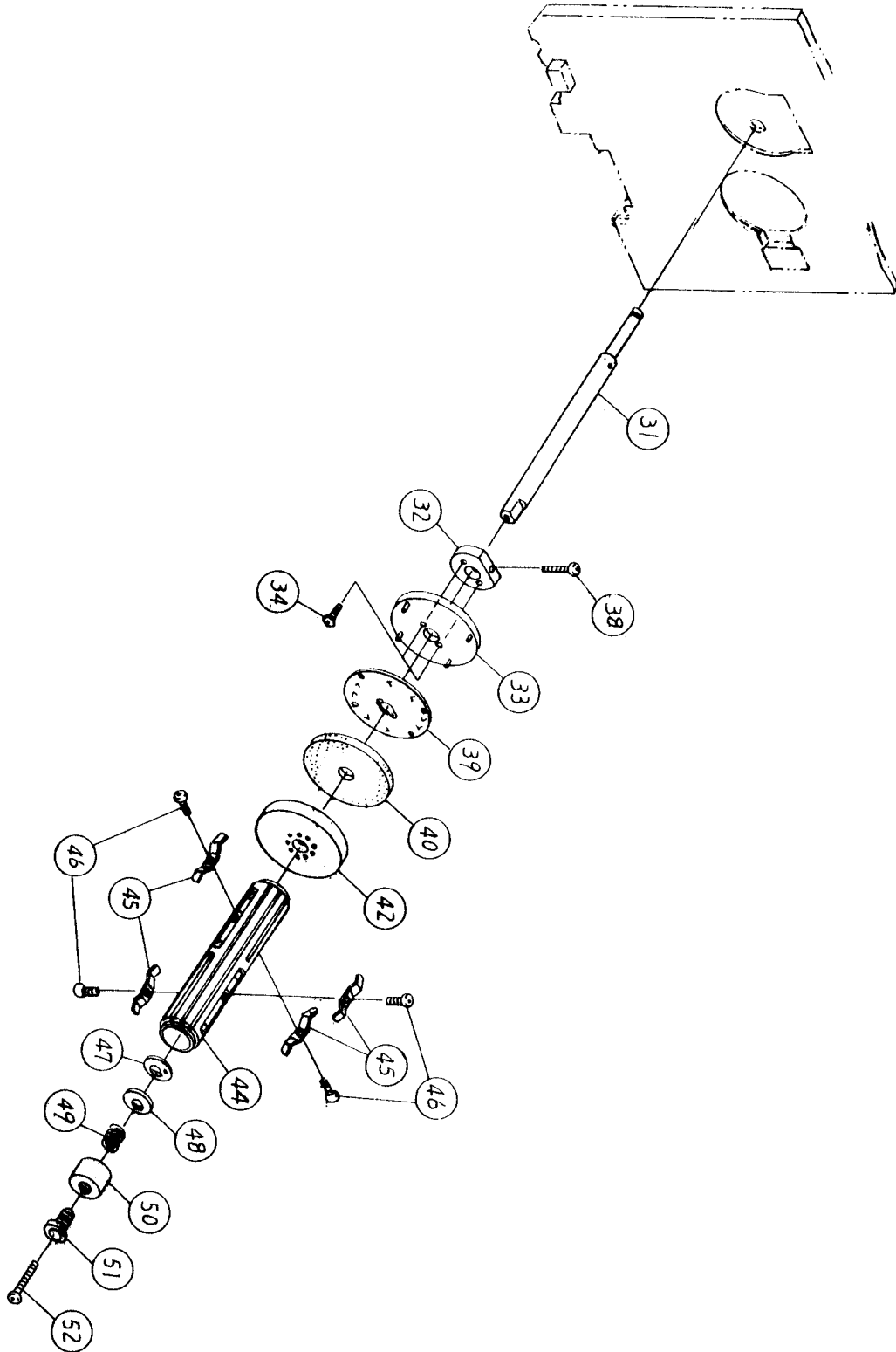
M8485S Opposite Hand

M8485S Ribbon Assembly



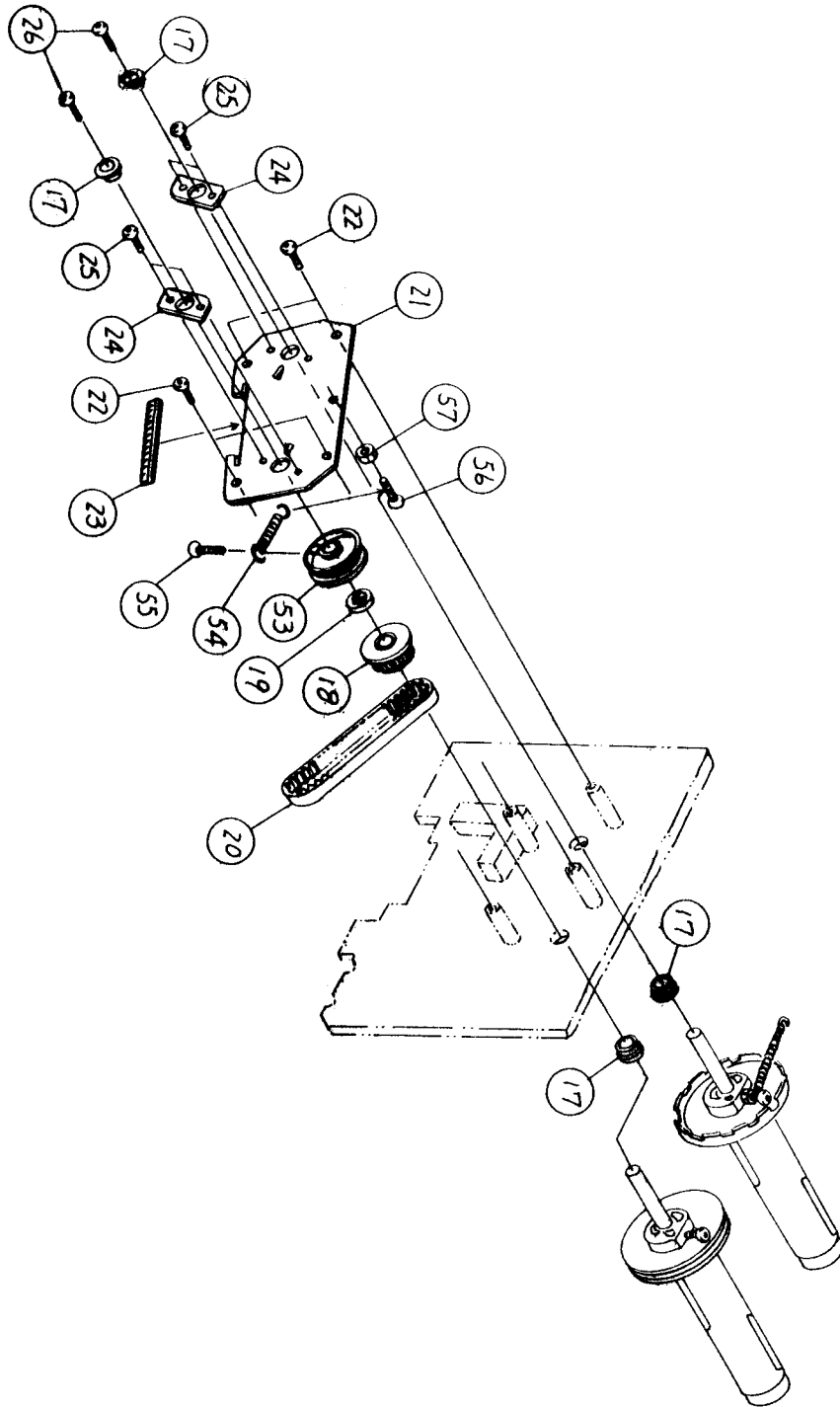
M8485S Opposite Hand

M8485S Ribbon Assembly



M8485S Opposite Hand

M8485S Ribbon Assembly

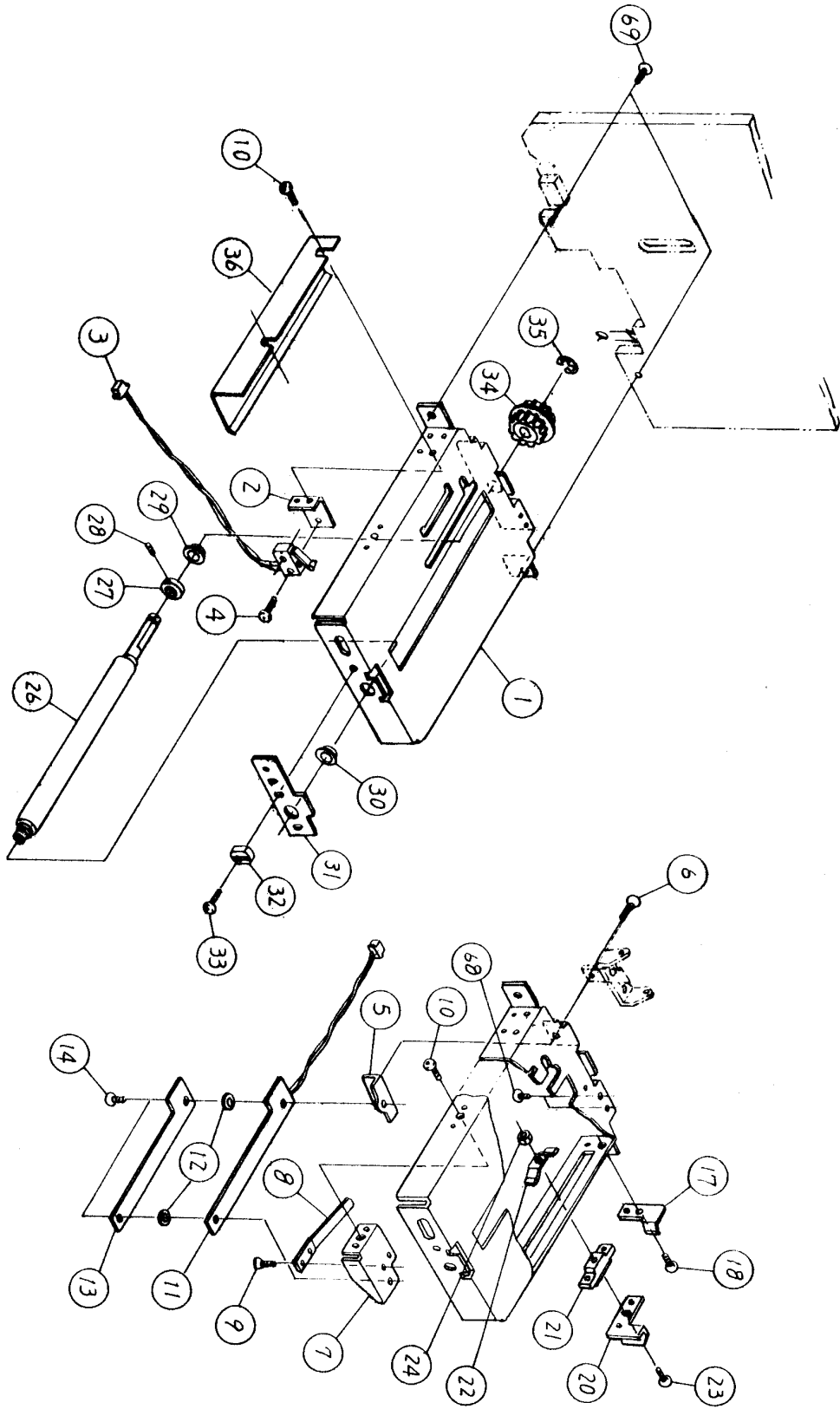


M8485S Opposite Hand

Ribbon Assembly			
Item #	Part Number	Description	qty
1	RH1730400	SEN4 cable	1
2	PA3730200	Sensor bracket (ribbon)	1
3	MA0300622	Pan head screw	2
4	MC0301022	Pan head screw	1
5	PV2730500	Disk plate cover	1
6	MD4300622	Pan head screw	2
7	MD3300822	Pan head screw	1
8	MA0301022	Pan head screw	1
9	MT1300522	Hex nut	1
17	PT1112080	Ball supporter	4
18	PR1731900	Pulley	1
19	PB2691100	Ribbon shaft collar	1
20	PT8085048	Timing belt	1
21	PA1731800	Ribbon frame	1
22	MC0401022	Pan head screw	4
23	PV9730100	Bush	1
24	PA1731000	Adjust plate	2
25	MD4300622	Pan head screw	4
26	MD4400822	Pan head screw	2
31	PB0731200	Shaft (ribbon)	2
32	PE4720200	Plate holder boss	2
33	PA0730100	Guide plate	2
34	MH1250621	P-tight screw	4
35	MT1300522	hex nut	1
36	MA0302522	Pan head screw	1
37	PC0730100	Spring (back)	1
38	MA0301821	Pan head screw	1
39	PA0730200	Hold plate	2
40	PA0680300	Washer	2
41	PE7720100	Disk plate (A)	1
42	PE1681100	Guide plate (B)	1
44	PR1730900	Ribbon boss	2
45	PA4690900	Spring	8
46	MH0300521	P-tight screw	8
47	PT2301020	Dry metal washer	2
48	PA0680400	Disk	2
49	PC1730100	Spring	2
50	PE2730100	Stopper collar	2
51	PB5730100	Adjust screw	2
52	MA0303022	Pan head screw	2
53	PR1761600	Pulley	1
54	PC0740200	Spring (back)	1
55	MH0300821	P-tight screw	1
56	MA0401622	Pan head screw	1
57	MT1400722	Hex nut	1

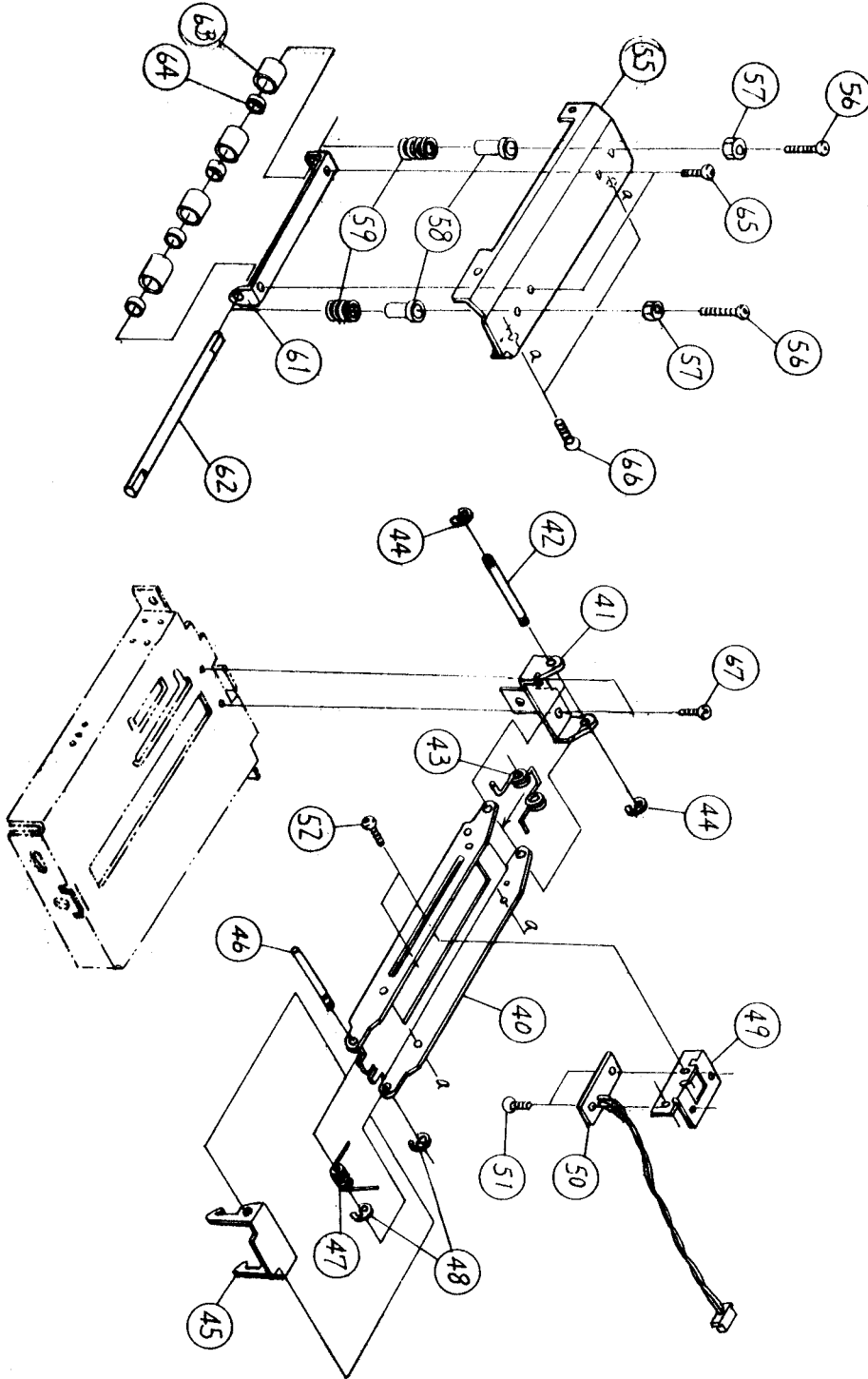
M8485S Opposite Hand

M8485S Feed Roller Assembly



M8485S Opposite Hand

M8485S Feed Roller Assembly



M8485S Opposite Hand

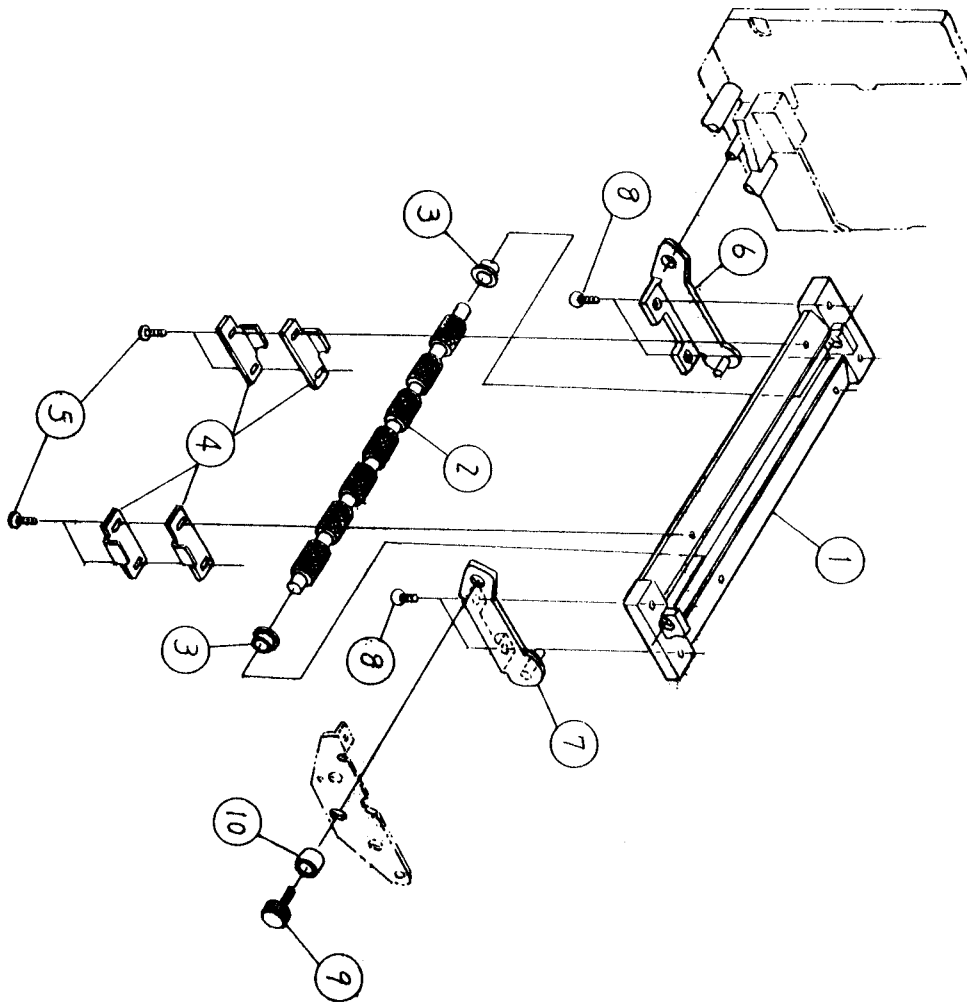
FEED ROLLER			
Item #	Part Number	Description	QTY
1	PR4730602	Paper guide bracket	1
2	PA3734100	Micro switch bracket	1
3	RH1731500	SEN7 cable	1
4	MA0200821	Pan head screw	2
5	PA3733900	PCB bracket (C)	1
6	MC0300622	Pan head screw	1
7	PA3734000	PCB bracket (D)	1
8	PA4730200	Lift spring	1
9	MD4300622	Pan head screw	1
10	MD4300622	Pan head screw	2
11	RH1737000	SEN1 cable	1
12	PT9680500	Spacer	2
13	PA1730800	PCB protector	1
14	MD4300822	Pan head screw	2
17	PA3731401	Paper guide (R)	1
18	MJ9300622	This head screw	1
20	PA3734200	Slide guide	1
21	PE1730200	Slider	1
22	PA4730100	Slide spring	1
23	MA0301022	Pan head screw	1
24	MT1300522	Hex nut	1
26	PR0730100	Platen roller	1
27	PB2730100	Collar	1
28	MJ1300424	W-point screw	1
29	PT1112060	Ball supporter	1
30	PT1109050	Ball supporter	1
31	PA1731900	Supporter clamp (B)	1
32	PL2720100	Adjust collar	1
33	MD4300822	Pan head screw	1
34	PE8730200	Pulley	1
35	ND0040030	E-snap ring	1
36	PA3735100	Paper guide	1
40	PA3734300	Paper lid (low)	1
41	PA3735200	Lid bracket	1
42	PB0731000	Shaft (lid)	1
43	PC2730200	Spring (open)	1
44	ND0020030	E-snap ring	2
45	PA3731700	Latch handle	1
46	PB0730900	Shaft (latch)	1
47	PC2730500	Spring (latch)	1
48	ND0020030	E-snap ring	1
FEED ROLLER			

M8485S Opposite Hand

Item #	Part Number	Description	QTY
49	PA3734400	Sensor bracket (pitch)	1
50	RH1732600	SEN2 cable	1
51	MD4300622	Pan head screw	2
52	MJ9300622	Thin head screw	2
55	PA3734500	Paper lid (up)	1
56	MA0301022	Pan head screw	2
57	MT1300522	Hex nut	2
58	PE2730300	Stopper collar	2
59	PC1730300	Spring (pressure)	2
61	PA3731300	Roller bracket	1
62	PB0730800	Shaft (pressure roller)	1
63	PE3720200	Roller	4
64	PE3720500	Roller	4
65	MA0300422	Pan head screw	2
66	MC0300622	Pan head screw	2
67	MN0300624	Hex bolt	2
68	MN0300824	Hex bolt	2
69	MN0400824	Hex bolt	2

M8485S Opposite Hand

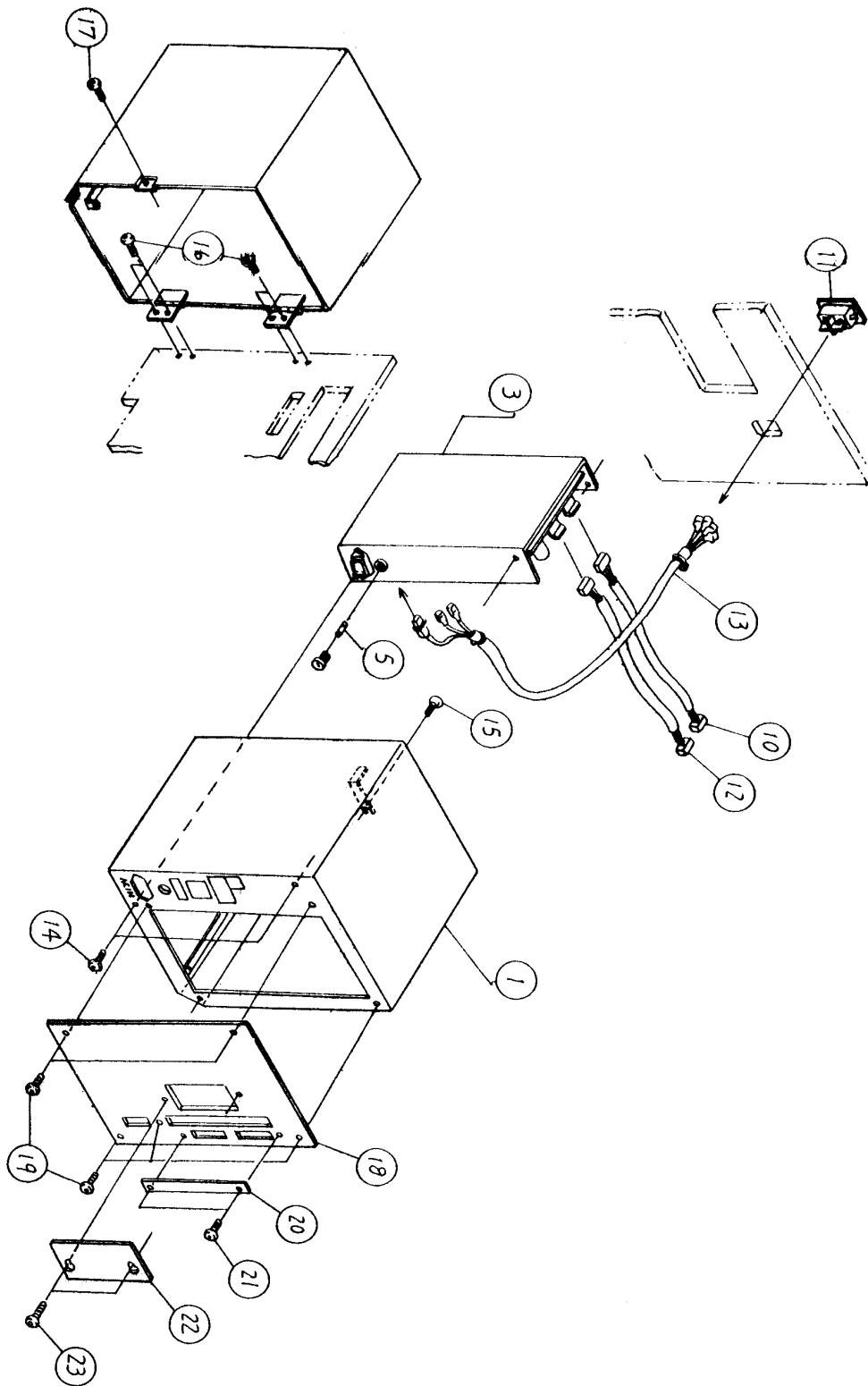
M8485S Pressure Roller Assembly



Item #	Part Number	Description	QTY
1	PL1730900	Roller holder	1
2	PB0731800	Pressure roller	1
3	PT1108040	Ball supporter	2
4	PA4730300	Plate spring	4
5	MJ9300622	Thin head screw	4
6	PR1732800	Plate	1
7	PR1732900	Plate	1
8	MA1300822	Flat head screw	4
9	PB0733601	Screw (holder)	1
10	PE2730600	Collar	1

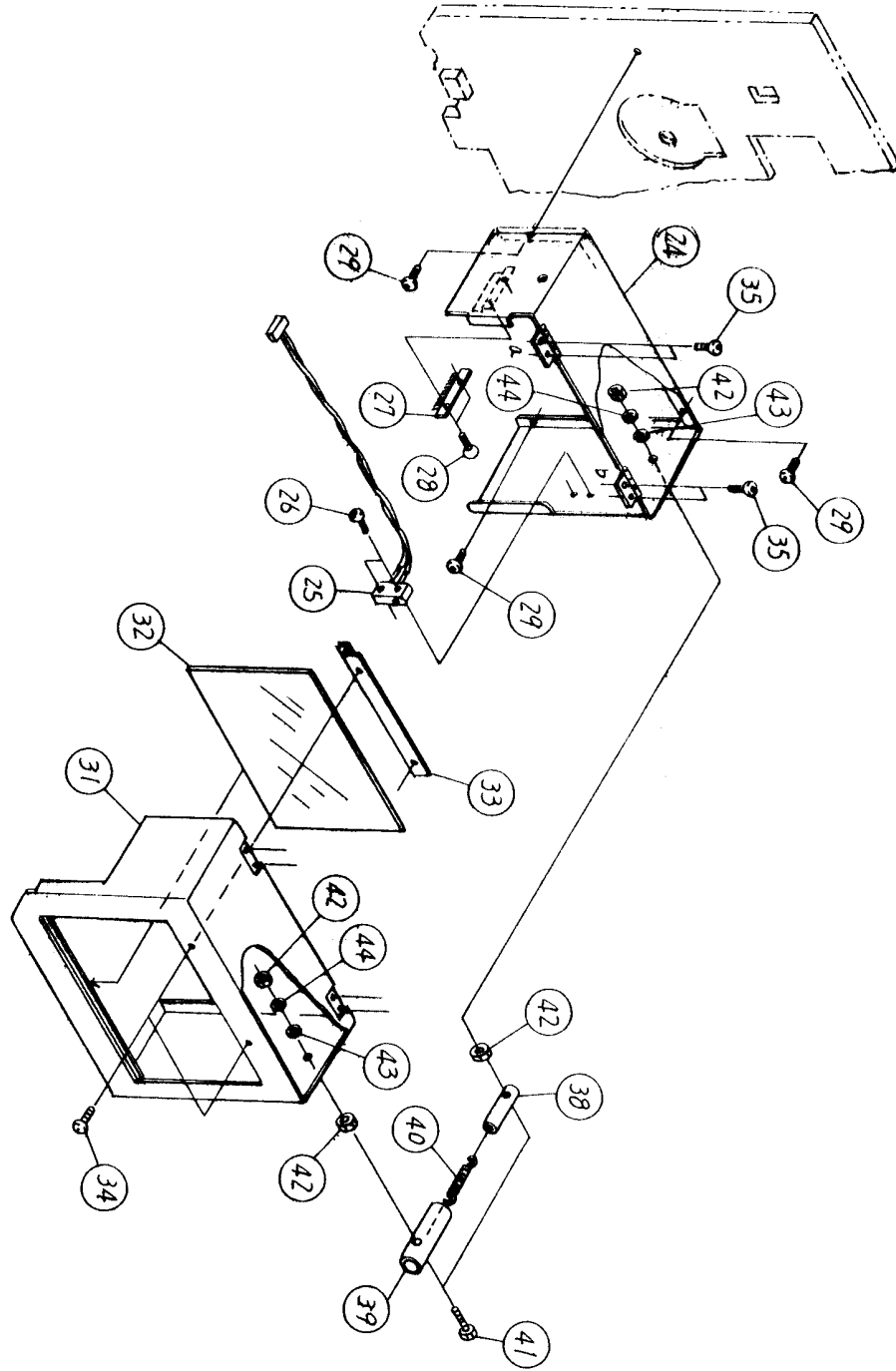
M8485S Opposite Hand

M8485S Cover Assembly



M8485S Opposite Hand

M8485S Cover Assembly

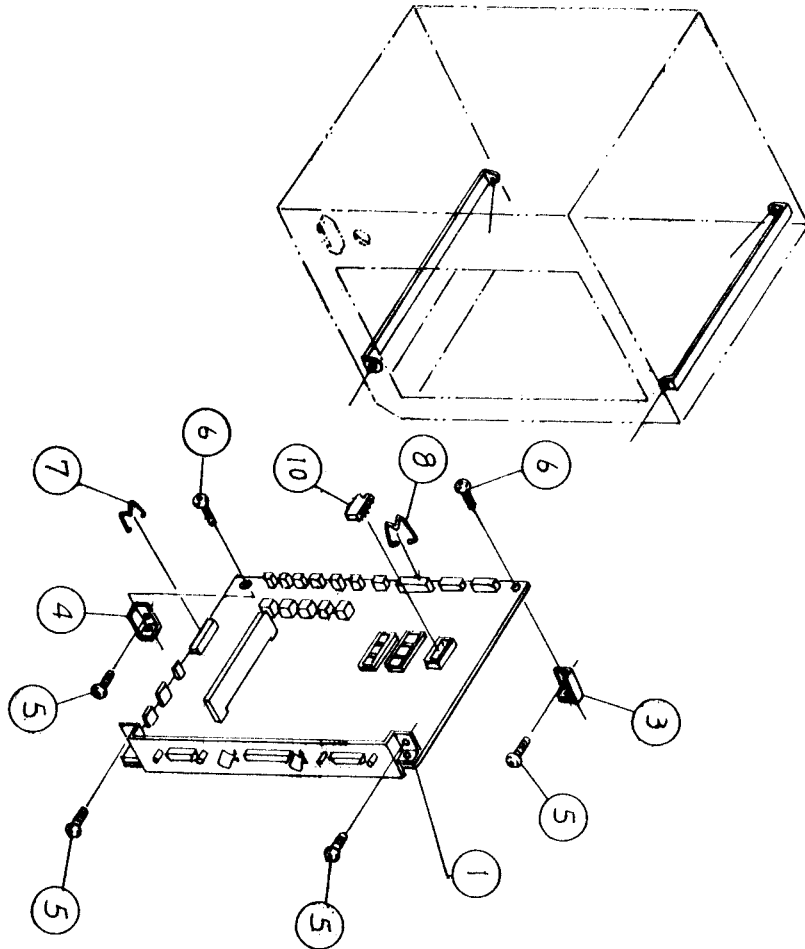


M8485S Opposite Hand

COVER ASSY.			
Item #	Part Number	Description	QTY
1	PR4730902	Cover	1
2	PH1731002	Cover	1
3	PR7730100	Power supply 115V	1
5	HD100301A	Fuse (UL, CSA)	1
10	RH1732000	POW1 cable	1
11	GA300161A	POW switch	1
12	RH1732100	POW2 cable	1
13	RH1730500	POW/SW cable	1
14	MC0301022	Pan head screw	2
15	MC0401022	Pan head screw	1
16	MC0301022	Pan head screw	4
17	MC0401022	Pan head screw	1
18	PH1732200	Close cover (B)	1
19	MC0300622	Pan head screw	5
20	PA1730900	Sub cover	1
21	MC0300622	Pan head screw	2
22	PH1732000	Close cover (C)	1
23	MD4300822	Pan head screw	2
24	PH1731400	Cover bracket	1
25	PH1732700	SEN6 cable	1
26	MA0200821	Pan head screw	2
27	PR1340500	Anti static brash	1
28	MD4300622	Pan head screw	2
29	MC0301022	Pan head screw	3
31	PH1731600	Open cover (A)	1
32	PH2730100	Open cover (B)	1
33	PH1730700	Set plate	1
34	MA7300625	Truss screw	2
35	MA7300625	Truss screw	4
38	PE6730300	SP case (A)	1
39	PE6730400	SP case (B)	1
40	PC0090300	Spring (cover)	1
41	PB0013700	Spring shaft	2
42	MT3020621	Hex nut	4
43	NA1060022	Plain washer	2
44	NB0060022	Spring washer	2

M8485S Opposite Hand

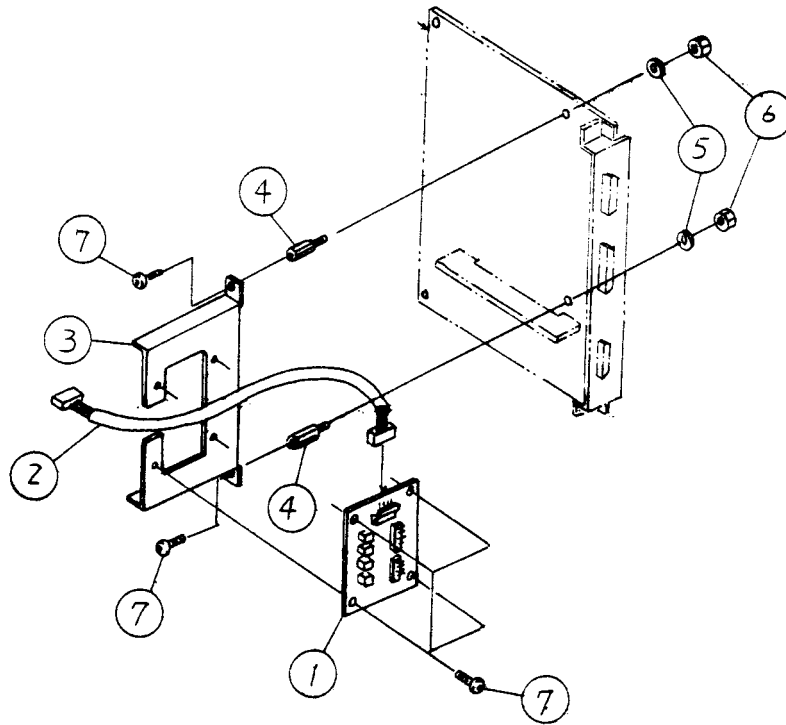
M8485S Main PCB Assembly



Item #	Part Number	Description	QTY
1	RJ1731100	Main PCB	1
3	PA3735400	PCB bracket (AF)	1
4	PA3735500	PCB bracket (BF)	1
5	MD4300622	Pan head screw	4
6	MD4300622	Pan head screw	2
7	PC9730100	Spring	1
8	PC9680000	Lock spring	1

M8485S Opposite Hand

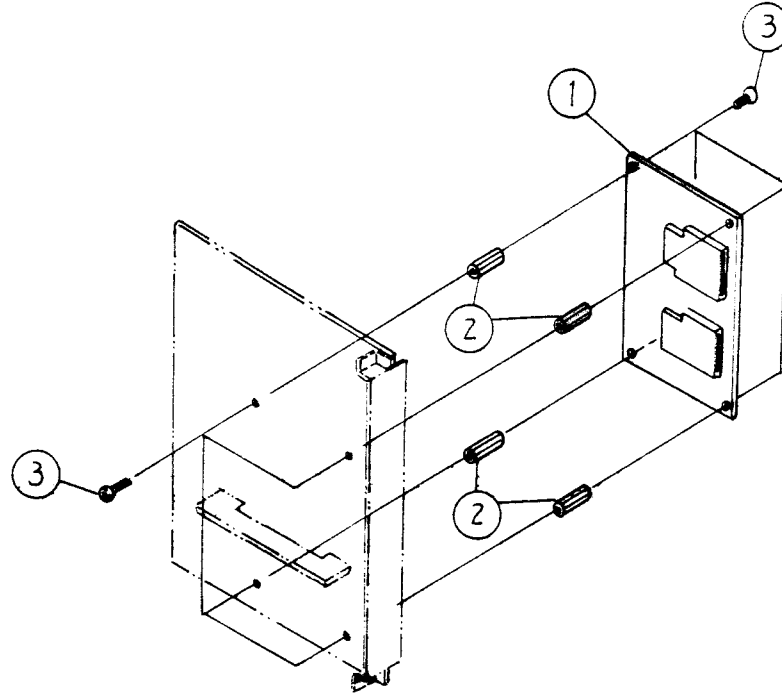
M8485S Check PCB Assembly



Item #	Part Number	Description	QTY
1	RJ4730600	Check PCB	1
2	RH4730000	Check cable set	1
3	PA3736600	PCB bracket	1
4	PT9681600	Spacer	2
5	NA0030022	Plain washer	2
6	MT1300522	Hex nut	2
7	MD4300822	Pan head screw	6

M8485S Opposite Hand

M8485S Card PCB Assembly

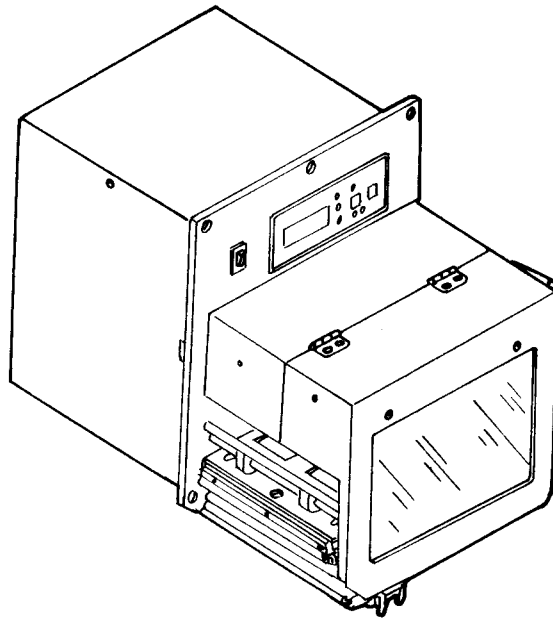


Item #	Part Number	Description	QTY
1	RJ1723100	Card PCB	1
2	PT9730000	Spacer	4
3	MD3300622	Pan head screw	8



M8485S/ Opposite Hand Parts List

(Use with printer serial numbers between 50100000 and 70699999)



**Sato America, Inc.
545 Weddell Drive
Sunnyvale, CA 94089
Phone (408) 745-1300
Fax (408) 745-1309**

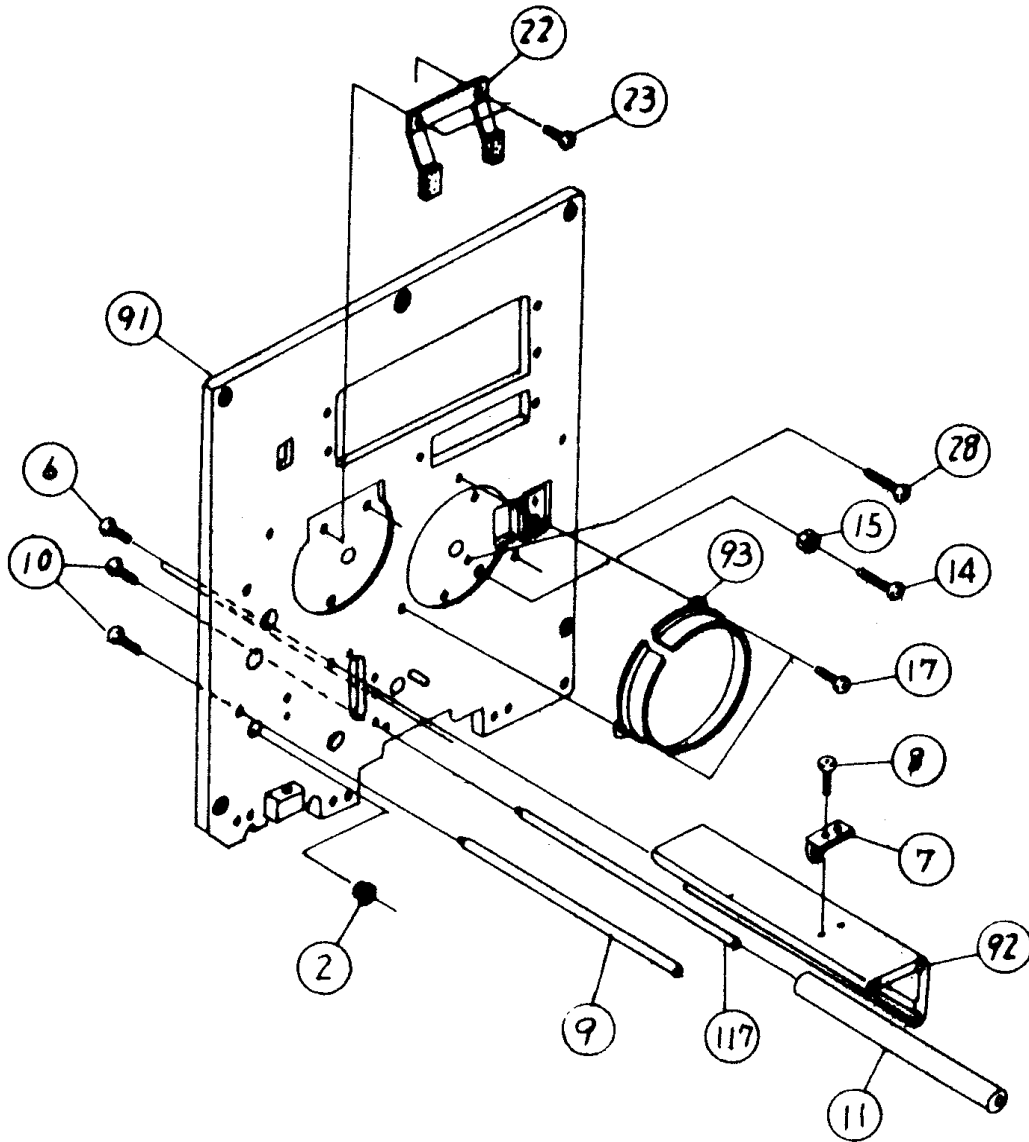
P/N 9001049 REV. D

M8485S Opposite Hand

Description	Page #
Frame Assembly	31-38
Thermal Head Assembly	39-42
Ribbon Assembly	43-46
Feed Roller Assembly	47-50
Pressure Roller Assembly	51-51
Cover Assembly	52-54
Main PCB Assembly	55-55
Power Supply Unit	56-56
Memory PCB Assembly (Option)	57-57

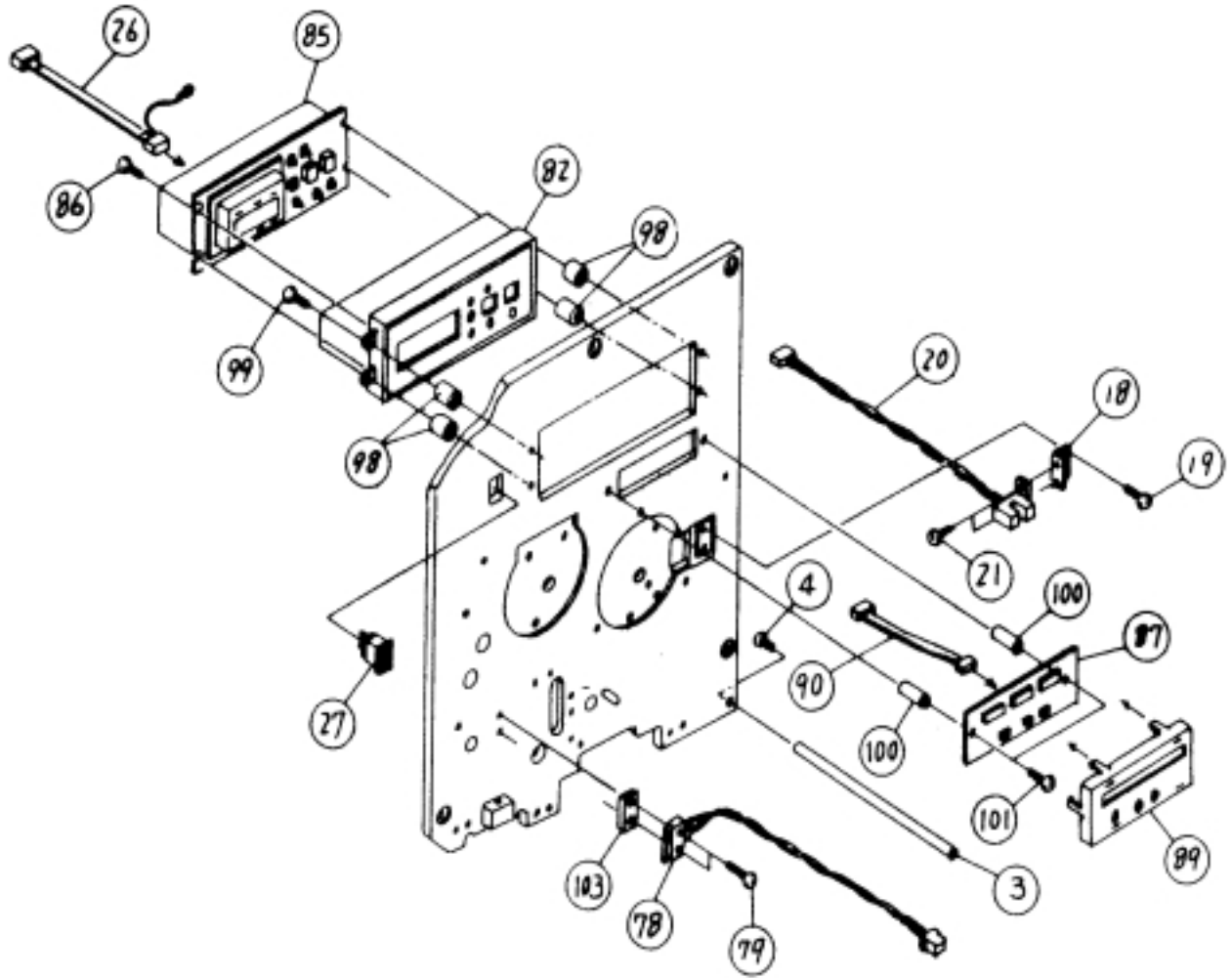
M8485S Opposite Hand

Frame Assembly



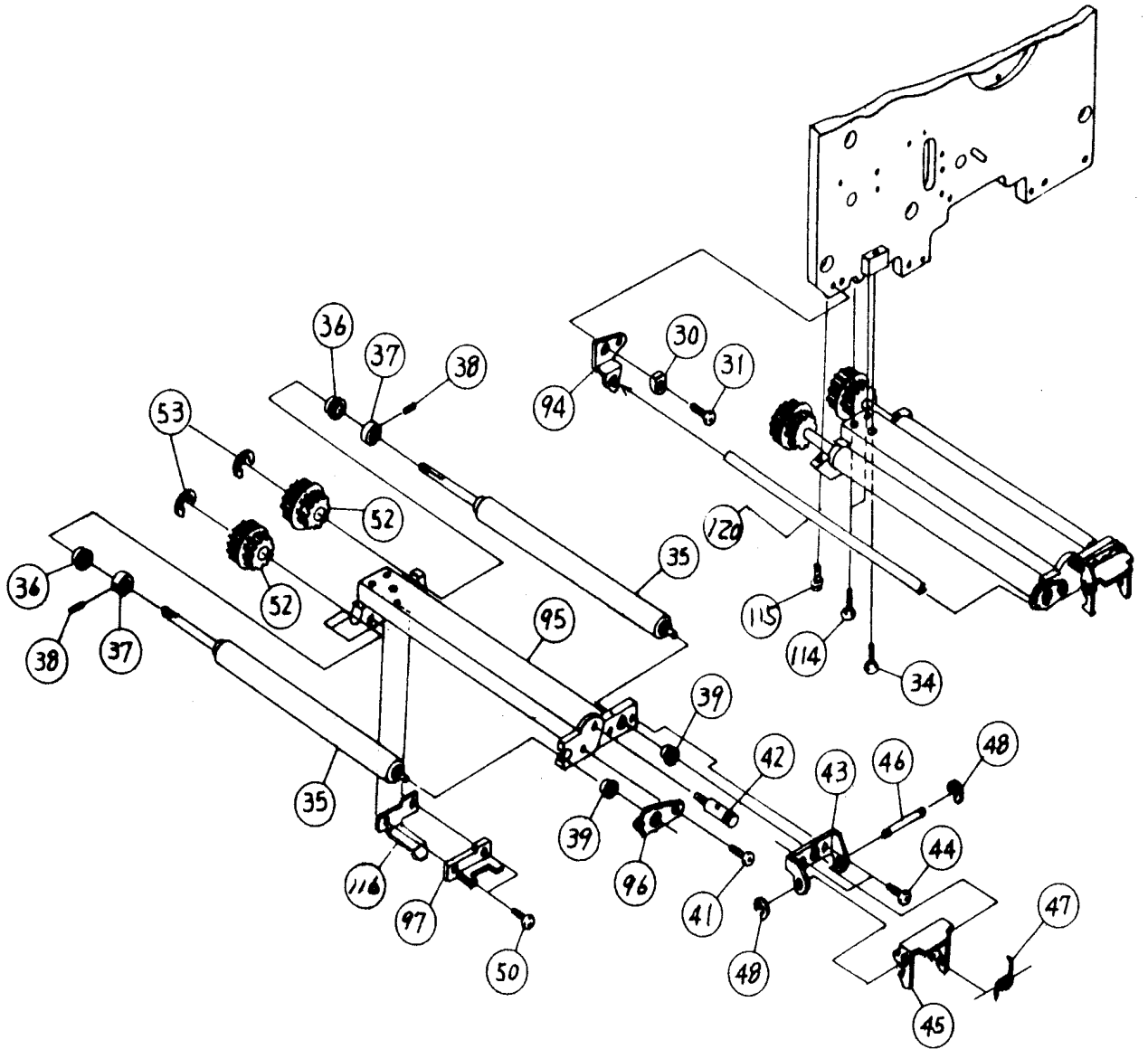
M8485S Opposite Hand

Frame Assembly



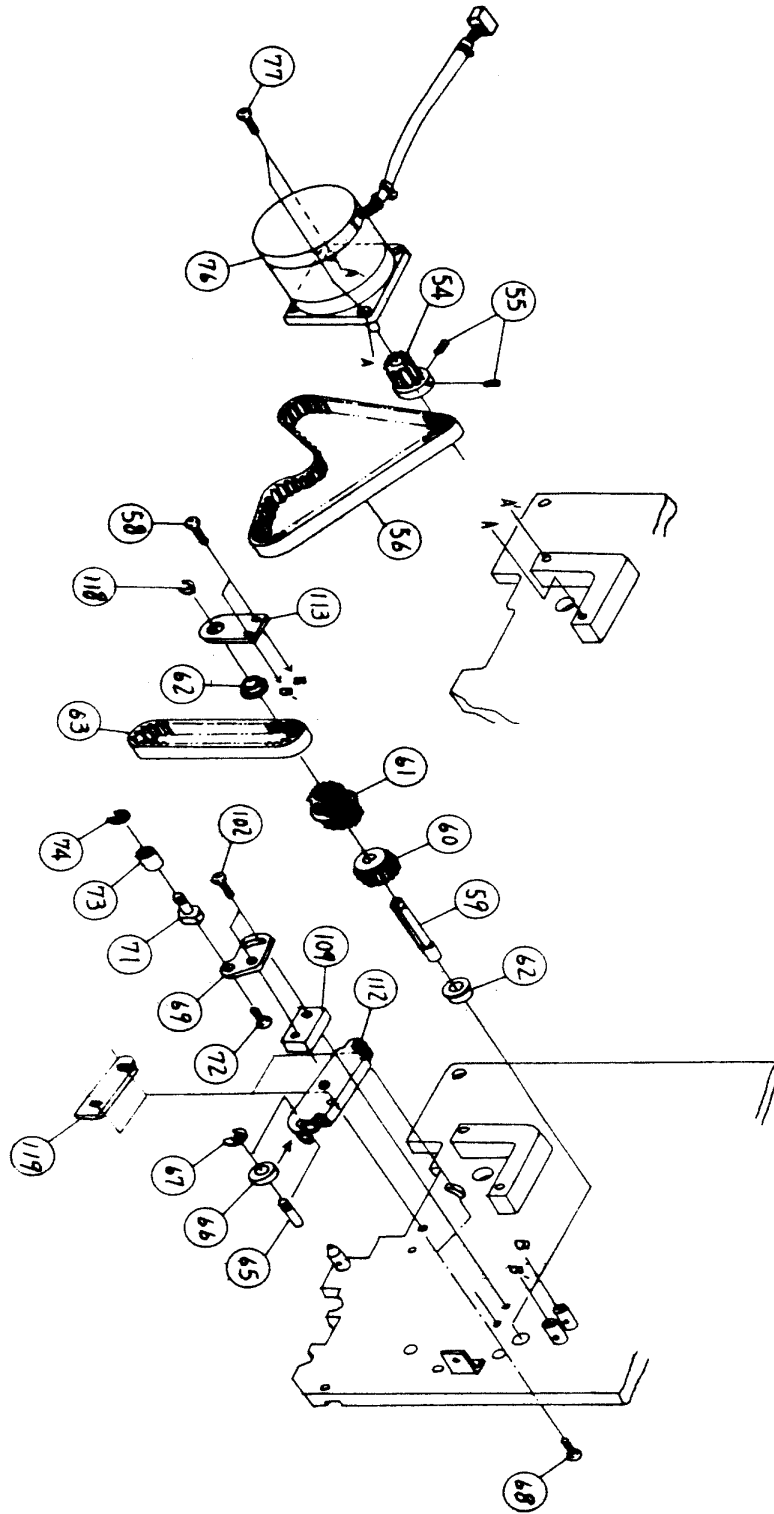
M8485S Opposite Hand

Frame Assembly



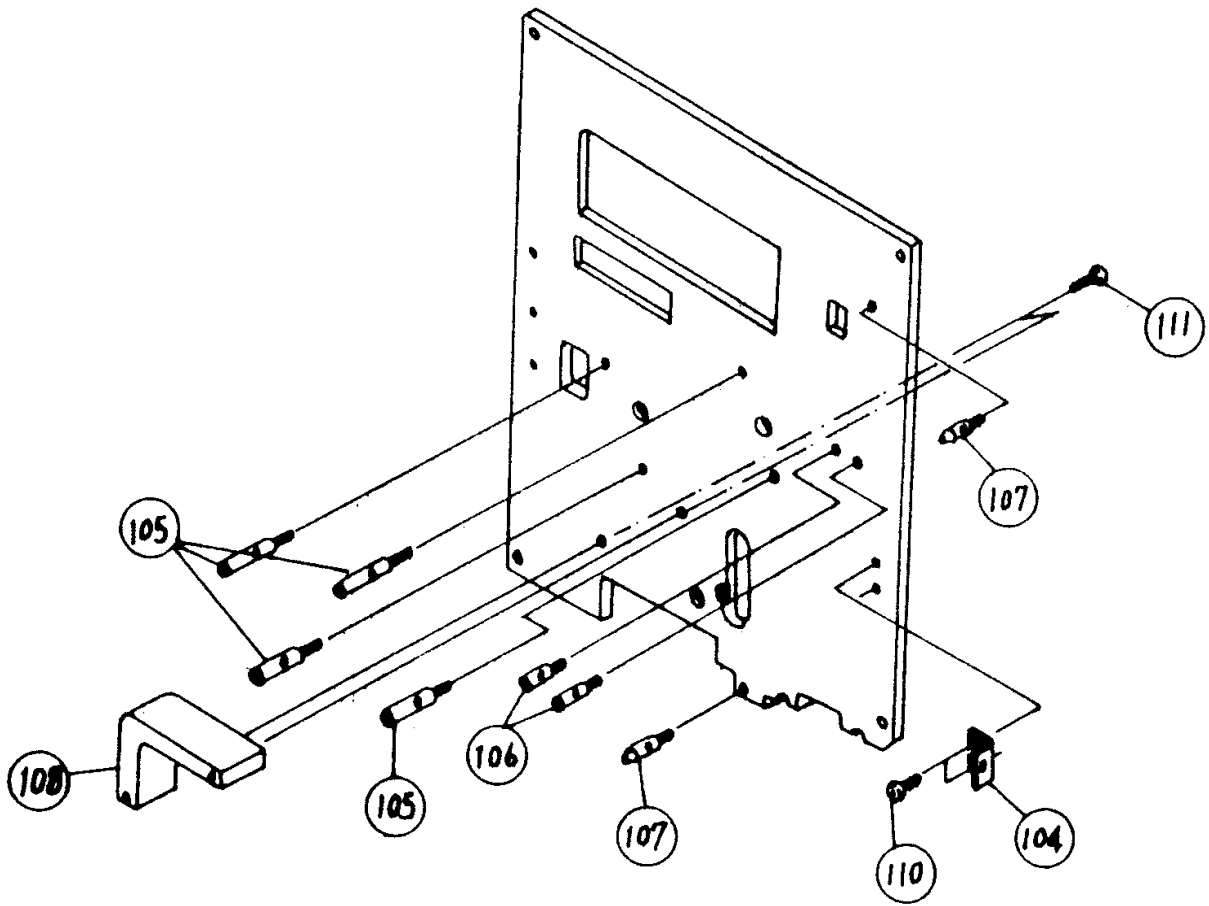
M8485S Opposite Hand

Frame Assembly



M8485S Opposite Hand

Frame Assembly



Frame Assembly			
Item #	Part number	Description	QTY

M8485S Opposite Hand

2	PT2108006	Dry metal	1
3	PB0540101	Guide post	1
4	MC0401022	Pan head screw	1
6	MC0401222	Pan head screw	2
7	PA3732500	Spring bracket	1
8	MC0300622	Pan head screw	1
9	PB0731500	Shaft (support)	1
10	MC0401022	Pan head screw	2
11	PR1730300	Roller	1
14	MA0301022	Pan head screw	1
15	MT1300522	Hex nut	1
17	MD4300622	Pan head screw	2
18	PA3730200	Sensor bracket (ribbon)	1
19	MC0301022	Pan head screw	1
20	RH1730400	SEN 4 cable	1
21	MA0300622	Pan head screw	2
22	PR4740100	Spring (tension)	1
23	MD4300622	Pan head screw	2
26	RH1731300	PSW cable	1
27	GA300161A	POW cable	1
28	MD3300822	Pan head screw	1
30	PB5730200	Eccen collar	1
31	MD3300822	Pan head screw	1
34	MN0402024	Hex bolt	1
35	PR0730100	Platen roller	2
36	PT1112060	Ball supporter	2
37	PB2730100	Collar	2
38	MJ1300424	W-point screw	2
39	PT1109050	Ball supporter	2
41	MN0300824	Hex bolt	1
42	PB0730500	Post (latch)	1
43	PA3730700	Pressure roller bracket	1
44	MJ9300622	Screw	2
45	PA3730800	Latch handle	1

Frame Assembly			
Item #	Part number	Description	QTY

M8485S Opposite Hand

46	PB0730700	Shaft (latch)	1
47	PC2730300	Spring (latch)	1
48	ND0020022	E-snap ring	2
50	MC0301022	Pan head screw	2
52	PE8730200	Pulley	2
53	ND0040030	E-snap ring	2
54	PL1720100	Motor pulley	1
55	MJ1400524	W point screw	2
56	PT8190064	Timing belt	1
58	MC0401022	Pan head screw	2
59	PB0731701	Shaft (idle)	1
60	PE8730100	Gear	1
61	PE8730300	Pulley	1
62	PT1112060	Ball supporter	2
63	PT8150064	Timing belt	1
65	PB0731600	Shaft (roller)	1
66	PR1730600	Tension roller	1
67	ND0040030	E-snap ring	1
68	MD4402022	Pan head screw	2
69	PA1730700	Tension bracket	1
71	PB0730600	Post	1
72	MD4400822	Pan head screw	1
73	PR1730600	Tension roller	1
74	ND0040030	E-snap ring	1
76	RH1733600	Stepper Motor Assy.	1
77	MC0401222	Pan head screw	2
78	RH1731100	SEN 5 cable	1
79	MD3201221	Pan head screw	2
82	PR4730501	Key board cover	1
85	RJ2730200	KB PCB set	1
86	MH0300821	P-tight screw	4
87	RJ2730100	DSW PCB set	1
89	PH0730200	DSW cover	1

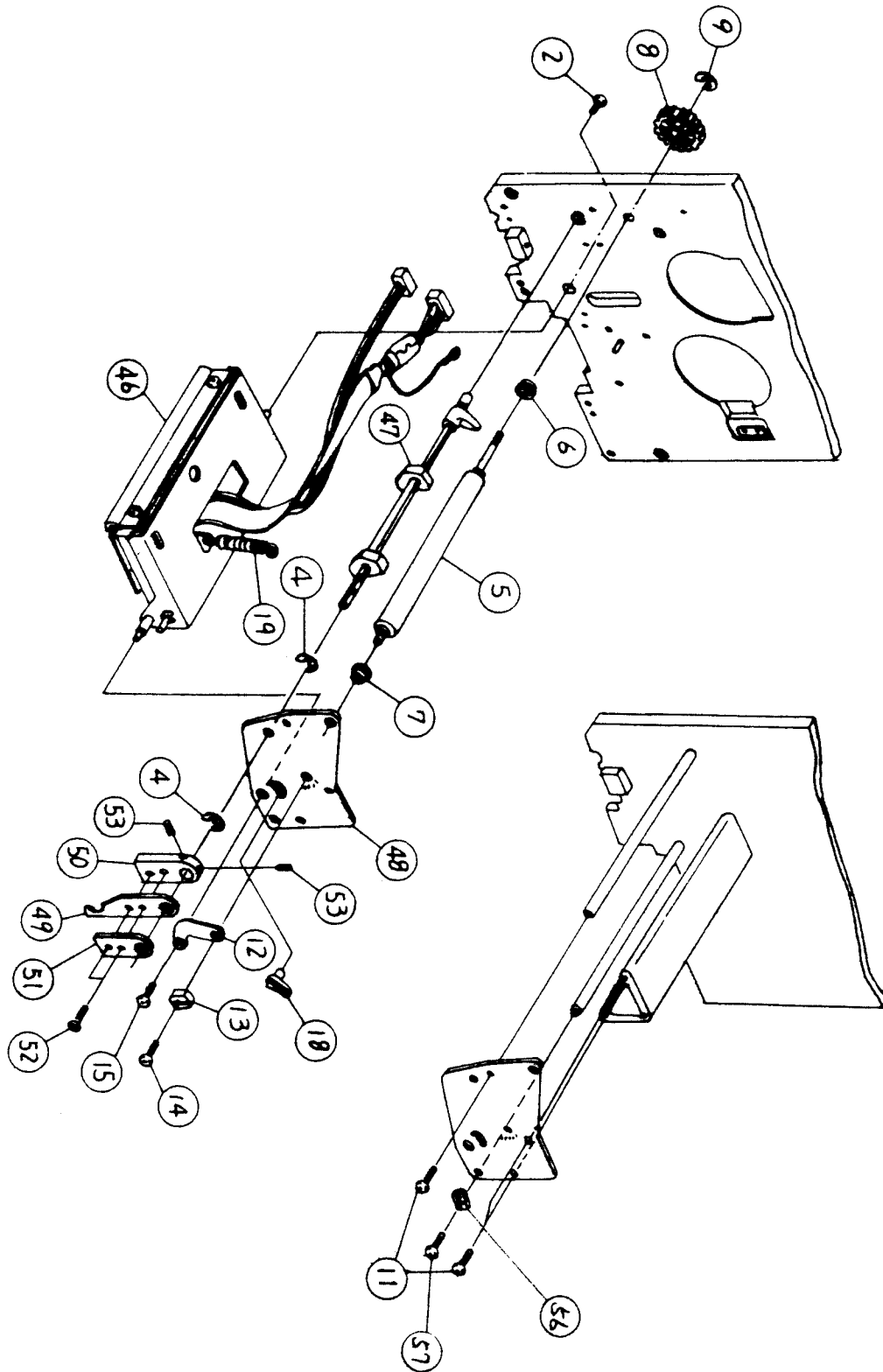
Frame Assembly

M8485S Opposite Hand

Item #	Part number	Description	QTY
90	RH1731600	DSW cable	1
91	PD2730201	Engine frame	1
92	PR1731701	Stay	1
93	PV2730500	Disk plate cover	1
94	PA3733500	Dispense bar bracket	1
95	PD1730701	Platen frame	1
96	PA1731701	Supporter clamp	1
97	PA3733601	Adjust plate	1
98	PT9680500	Spacer	4
99	MD4301622	Pan head screw	4
100	PT9730100	Spacer	2
101	MD4301222	Pan head screw	2
102	MD4301622	Pan head screw	2
103	PA1731100	Switch plate	1
104	PA3732900	Set bracket (cover)	1
105	PB0731900	Post (ribbon)	4
106	PB0732000	Post (idle)	2
107	PB0732100	Post (cover)	2
108	PB2730200	Spacer	1
109	PD1730200	Block (tension)	1
110	MC0301022	Pan head screw	2
111	MC0401222	Pan head screw	2
112	PA3734800	Bracket	1
113	PR4730700	Bracket	1
114	MN0403024	Hex bolt	2
115	MN0401024	Hex bolt	1
116	PA3735300	Plate	1
117	PB0732800	Shaft (ribbon adjust)	1
118	ND0040030	E-snap ring	1
119	PA2730700	Plate nut	1
120	PD1731100	Dispense bar	1

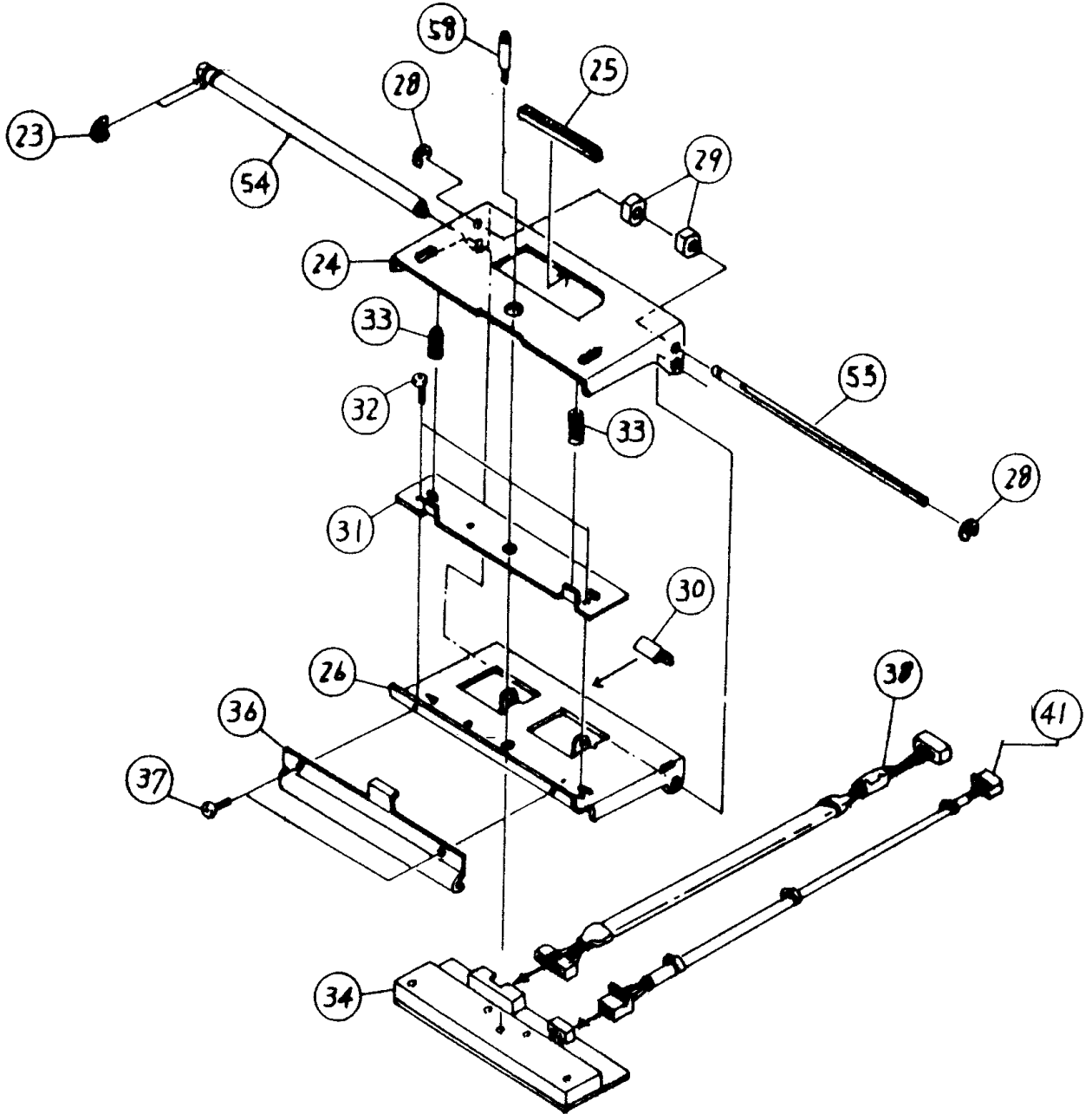
Thermal Head Assembly

M8485S Opposite Hand



M8485S Opposite Hand

Thermal Head Assembly



Thermal Head Assembly

M8485S Opposite Hand

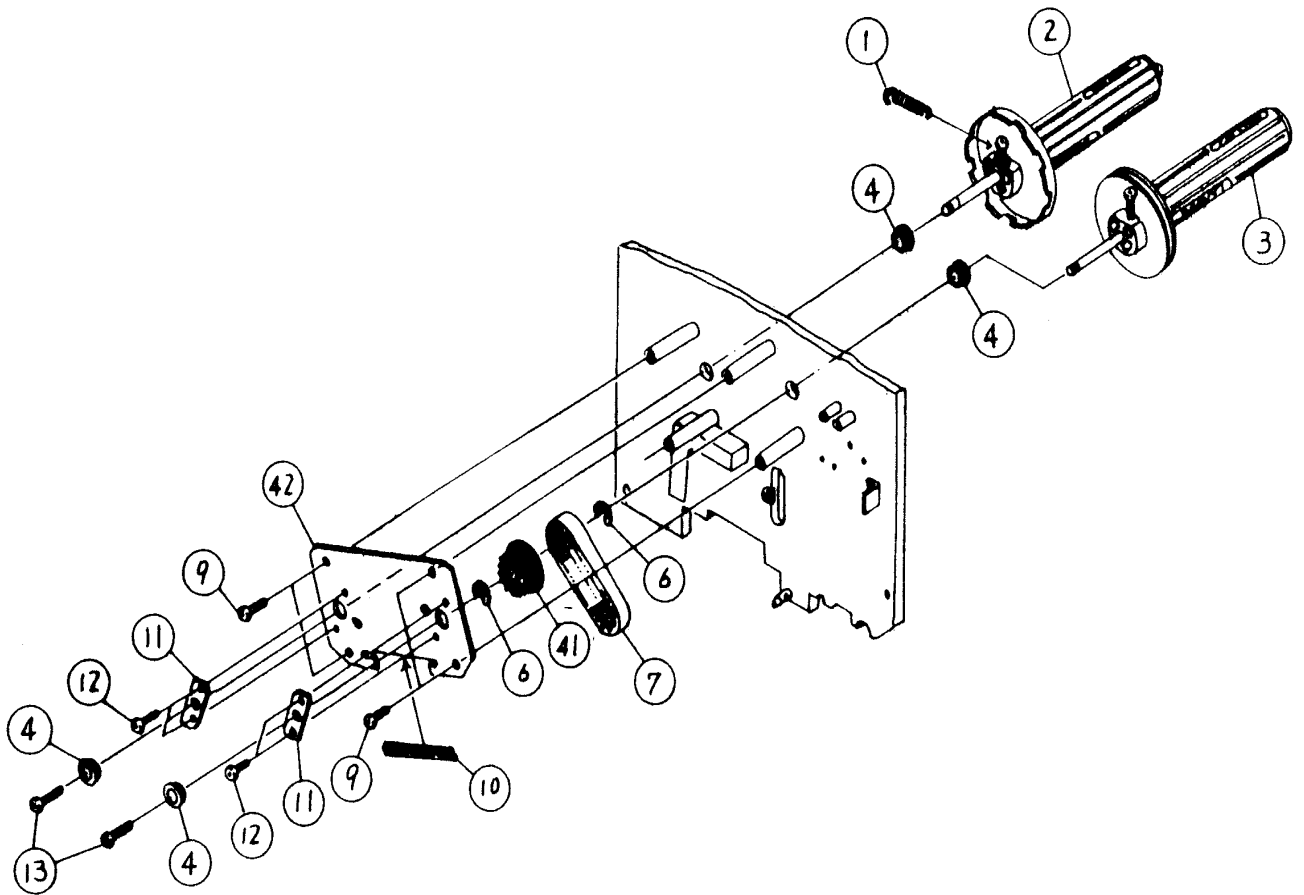
Item #	Part number	Description	QTY
2	MC0401022	Pan head screw	1
4	ND0060030	E-snap ring	2
5	PR0730200	Feed roller	1
6	PT1112060	Ball supporter	1
7	PT1109050	Ball supporter	1
8	PE8730100	Gear	1
9	ND0040030	E-snap ring	1
11	MC0401022	Pan head screw	3
12	PA1730300	Plate (adjust)	1
13	PL2720100	Adjust collar	1
14	MD4300822	Pan head screw	1
15	MC0401022	pan head screw	1
18	PE1730400	Handle (B)	1
19	PC0730200	Spring	1
23	ND0070030	E-snap ring	2
24	PA3732300	Head bracket (UP)	1
25	PV9730200	Bushing	1
26	PR4731100	Head bracket (low)	1
28	ND0050030	E-snap ring	2
29	PE1730300	Adjust cam	2
30	PA4730401	Plate spring	1
31	PR1730200	Adjust plate	1
32	MD4300622	Pan head screw	2
33	PC1730200	Spring	2
34	GH000441A	Printhead Assy.	1
36	PA3732100	Ribbon plate	1
37	MD3250522	Pan head screw	2
38	RH1731200	HDS cable	1
41	RH1730300	HDP cable	1
46	RC0736200	Printhead Sub Assy.	1
47	PR1731800	Pressure cam	1
48	PA2730500	Head frame	1
49	PA2730600	Latch handle (C)	1
50	PD1730600	Handle (A)	1
51	PD1731200	Handle (B)	1

M8485S Opposite Hand

Thermal Head Assembly			
Item #	Part number	Description	QTY
52	MD4301022	Pan head screw	1
53	MJ1300424	W-point screw	2
54	PB0732601	Shaft (head bracket)	2
55	PB0732700	Shaft	1
56	PL2730100	Adjust collar	1
57	MD4401022	Pan head screw	1
58	PB5730300	Screw (head)	1

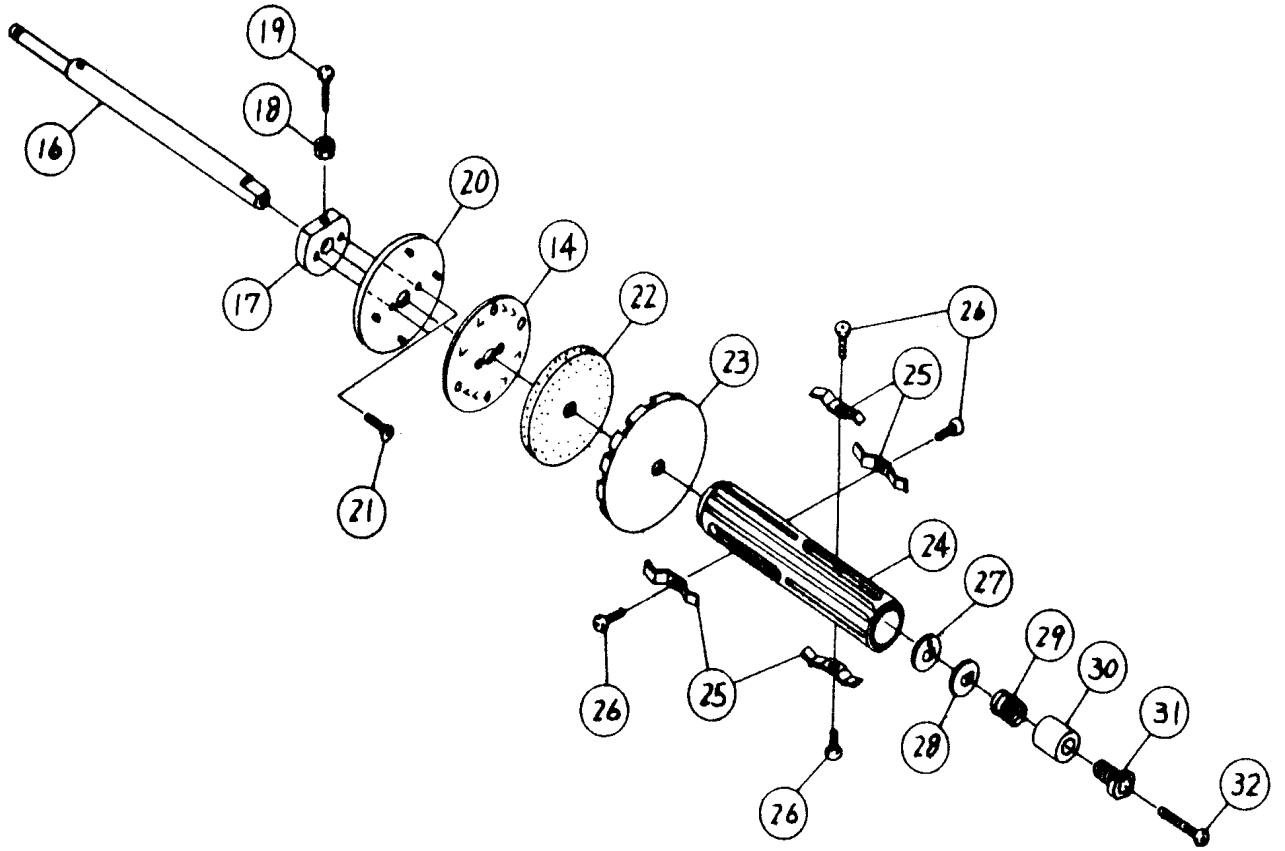
M8485S Opposite Hand

Ribbon Assembly



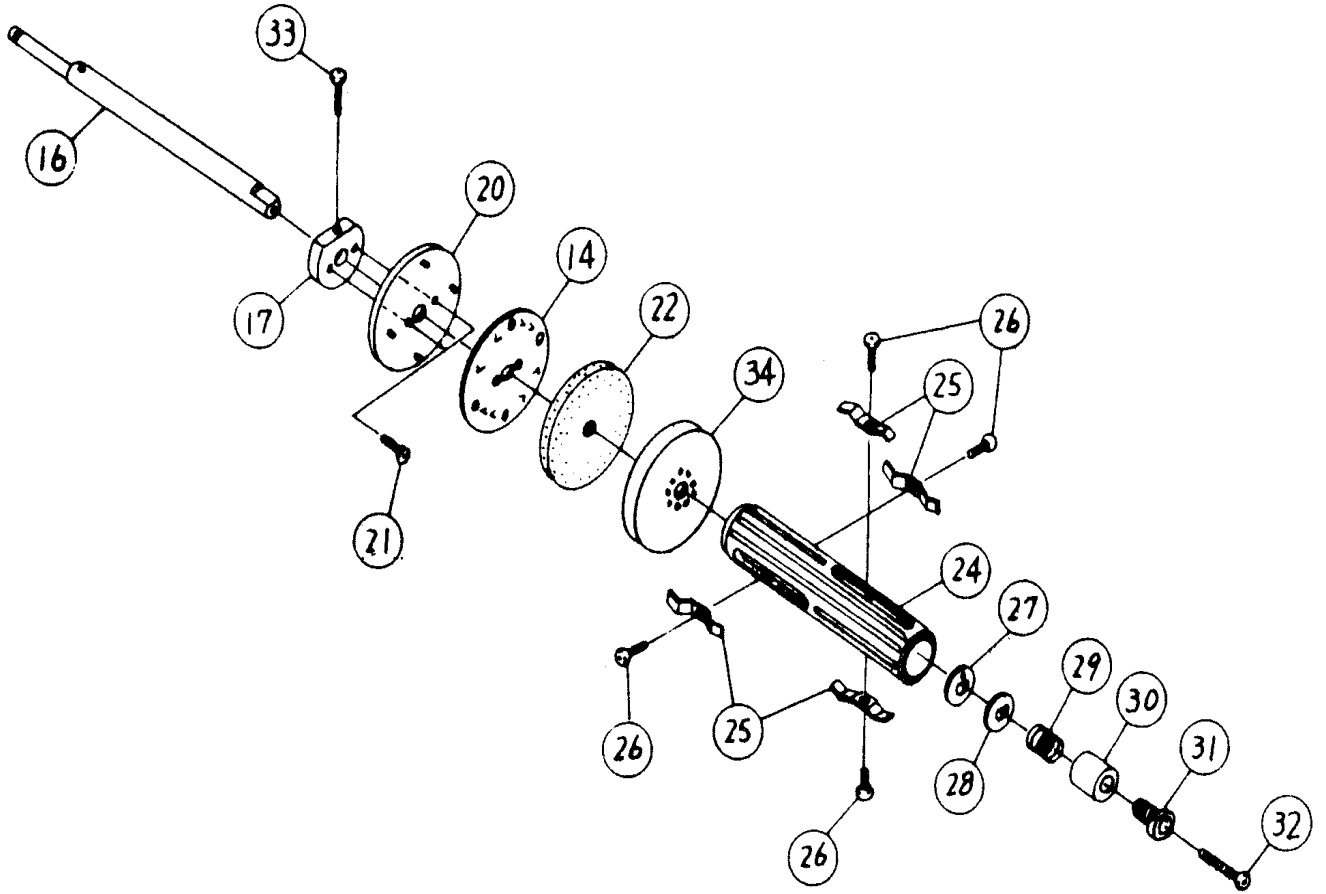
M8485S Opposite Hand

Ribbon Assembly



M8485S Opposite Hand

Ribbon Assembly

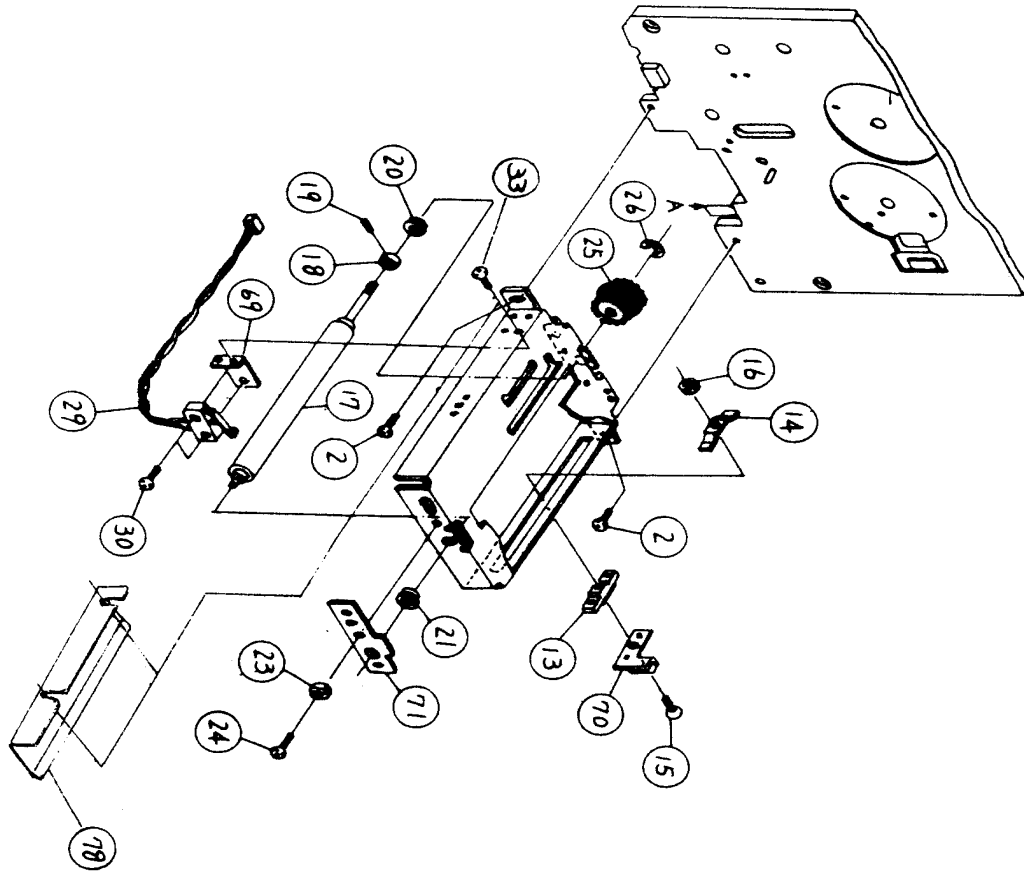
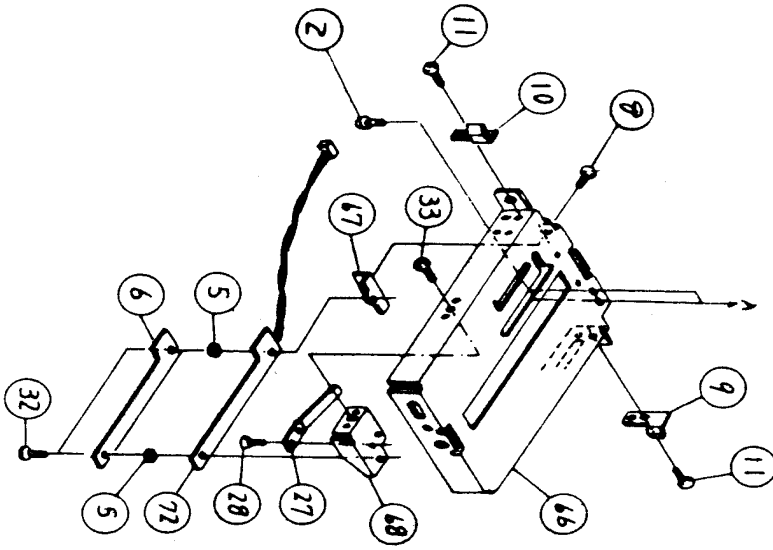


M8485S Opposite Hand

Ribbon Assembly			
Item #	Part number	Description	QTY
1	PC0730100	Spring	1
2	RC2730200	Ribbon sub (unwind)	1
3	RC2730300	Ribbon sub (rewind)	1
4	PT1112080	Ball supporter	4
6	ND0060030	E-snap ring	2
7	PT8085064	Timing belt	1
9	MC0401022	Pan head screw	4
10	PV9730100	Bush	1
11	PA1731000	Adjust plate	2
12	MD4300622	Pan head screw	4
13	MD4400822	Pan head screw	2
14	PA0730200	Hold plate	2
16	PB0731200	Shaft (ribbon)	2
17	PE4720200	Plate holder boss	2
18	MT1300522	Hex nut	1
19	MA0302522	Pan head screw	1
20	PA0730100	Guide plate	2
21	MH1250621	P-tight screw	4
22	PA0680300	Lining	2
23	PE7720100	Disk plate (A)	1
24	PR1730900	Ribbon boss	2
25	PA4690900	Spring	8
26	MH0300521	P-tight screw	8
27	PT2301020	Dry metal	2
28	PA0680400	Disk	2
29	PC1730100	Spring	2
30	PE2730100	Stopper collar	2
31	PB5730100	Adjust screw	2
32	MA0302522	Pan head screw	2
33	MA0301821	Pan head screw	1
34	PE1681100	Guide plate (B)	1
41	PR1731900	Pulley	1
42	PA1731800	Ribbon frame	1

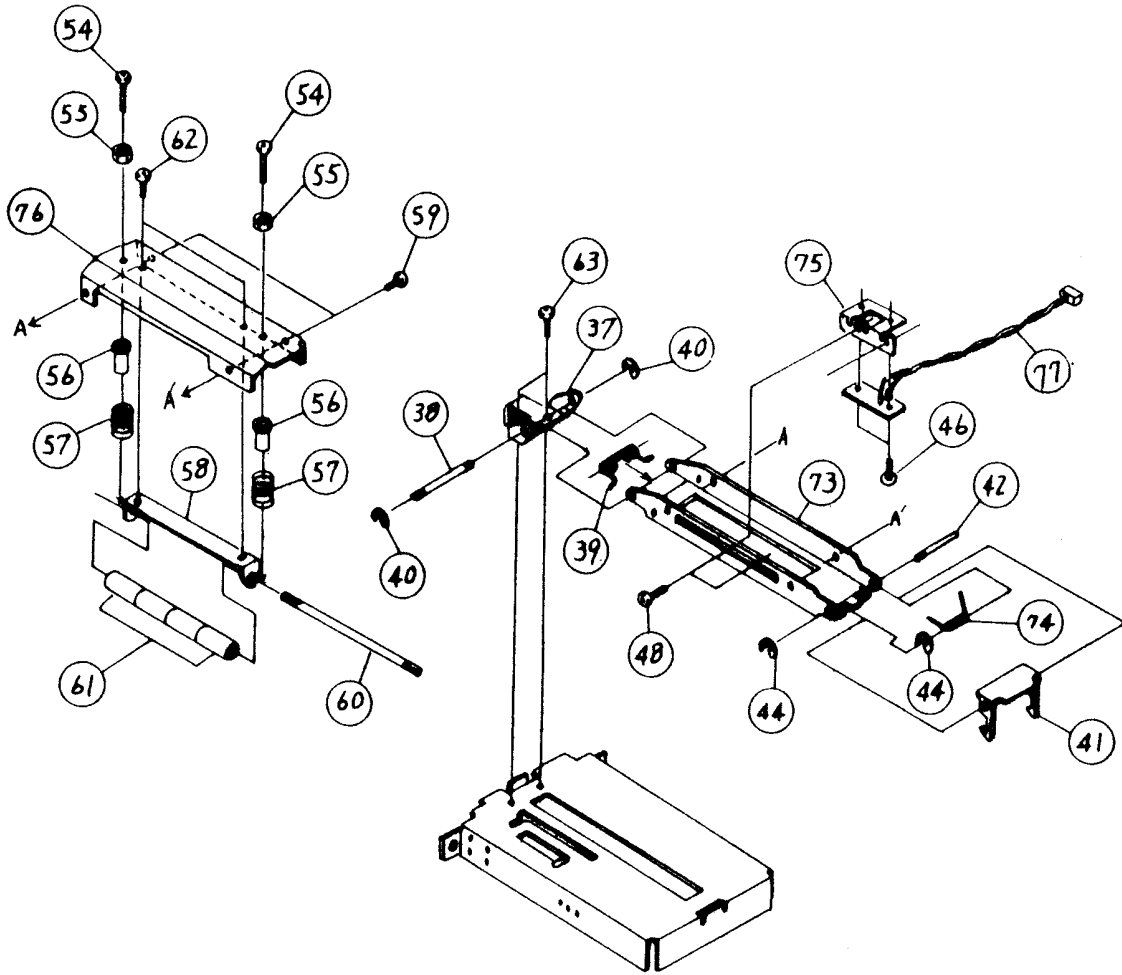
Feed Roller Assembly

M8485S Opposite Hand



Feed Roller Assembly

M8485S Opposite Hand



Feed Roller Assembly			
Item #	Part number	Description	QTY
2	MN0300824	Hex bolt	4
5	PT9680500	Spacer	2

M8485S Opposite Hand

6	PA1730800	PCB protector	1
8	MC0300622	pan head screw	1
9	PA3731400	Paper guide (R)	1
10	PA3731500	Paper guide (L)	1
11	MJ9300622	Screw	2
13	PE1730200	Slider	1
14	PA4730100	Slide spring	1
15	MA0301022	Pan head screw	1
16	MT1300522	Hex nut	1
17	PR0730100	Platen roller	1
18	PB2730100	Collar	1
19	MJ1300424	W-point screw	1
20	PT1112060	Ball supporter	1
21	PT1109050	Ball supporter	1
23	PL2720100	Adjust collar	1
24	MD4300822	Pan head screw	1
25	PE8730200	Pulley	1
26	ND0040030	E-snap ring	1
27	PA4730200	Lift spring	1
28	MD4300622	Pan head screw	1
29	RH1731500	SEN 7 cable	1
30	MA0200821	Pan head screw	2
32	MD4300822	Pan head screw	2
33	MD4300622	Pan head screw	2
37	PA3735200	Lid bracket	1
38	PB0731000	Shaft (lid)	1
39	PC2730200	Spring (open)	1
40	ND0020030	E-snap ring	1
41	PA3731700	Latch handle	1
42	PB0730900	Shaft (latch)	1
44	ND0020030	E-snap ring	1
46	MJ9300622	Screw	2
48	MD4300622	Pan head screw	2
54	MA0301022	Pan head screw	2
55	MT1300522	Hex nut	2
56	PE2730300	Stopper collar	2

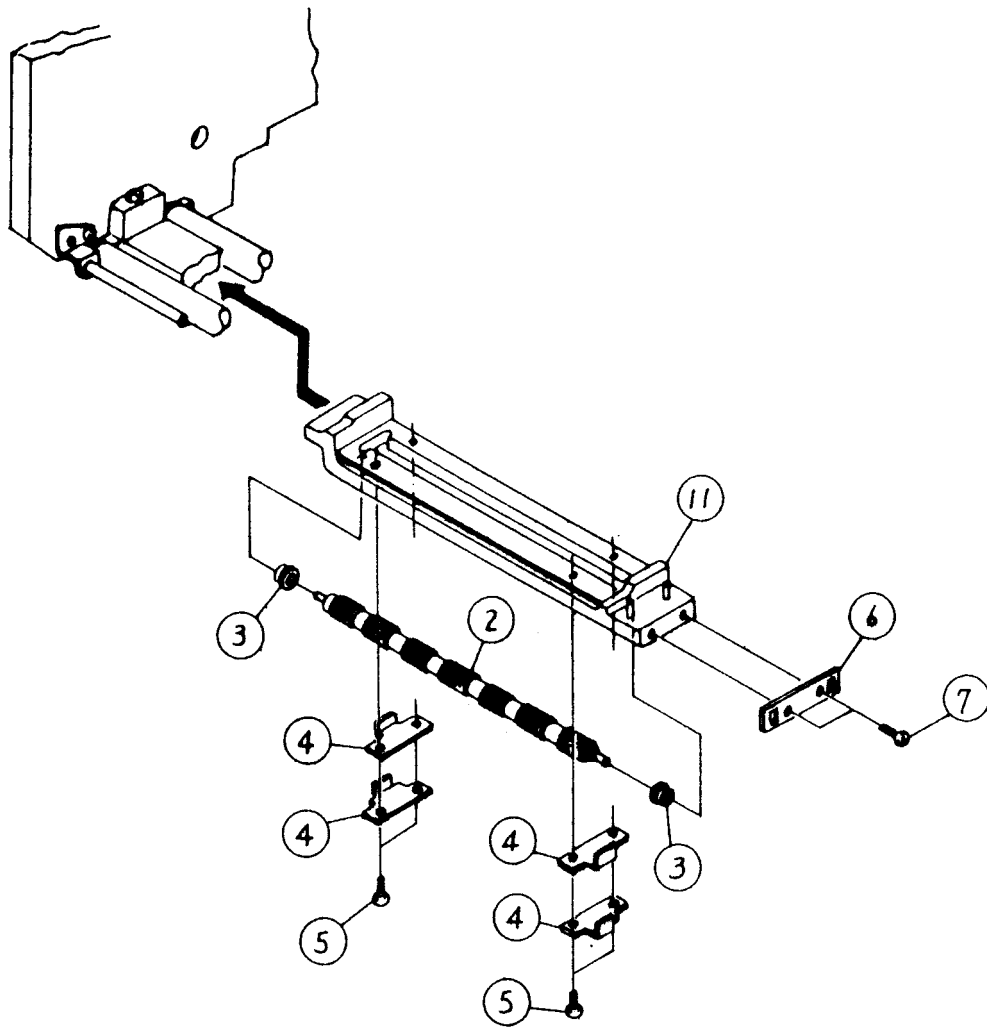
Feed Roller Assembly			
Item #	Part number	Description	QTY
57	PC1730300	Spring (pressure)	2

M8485S Opposite Hand

58	PA3731300	Roller bracket	1
59	MC0300622	Pan head screw	2
60	PB0730800	Shaft (pressure roller)	1
61	PE3720200	Roller	4
62	MA0300422	Pan head screw	2
63	MN0300624	Hex bolt	2
66	PR4730601	Paper guide bracket	1
67	PA3733900	PCB bracket (C)	1
68	PA3734000	PCB bracket (D)	1
69	PA3734100	Micro switch bracket	1
70	PA3734200	Slide guide	1
71	PA1731900	Supporter clamp	1
72	RH1737000	SEN 1 cable	1
73	PA3734300	Paper lid (low)	1
74	PC2730500	Spring (latch)	1
75	PA3734400	Sensor bracket (pitch)	1
76	PA3734500	Paper lid	1
77	RH1732600	SEN 2 cable	1
78	PA3735100	Paper guide	1

Pressure Roller Assembly

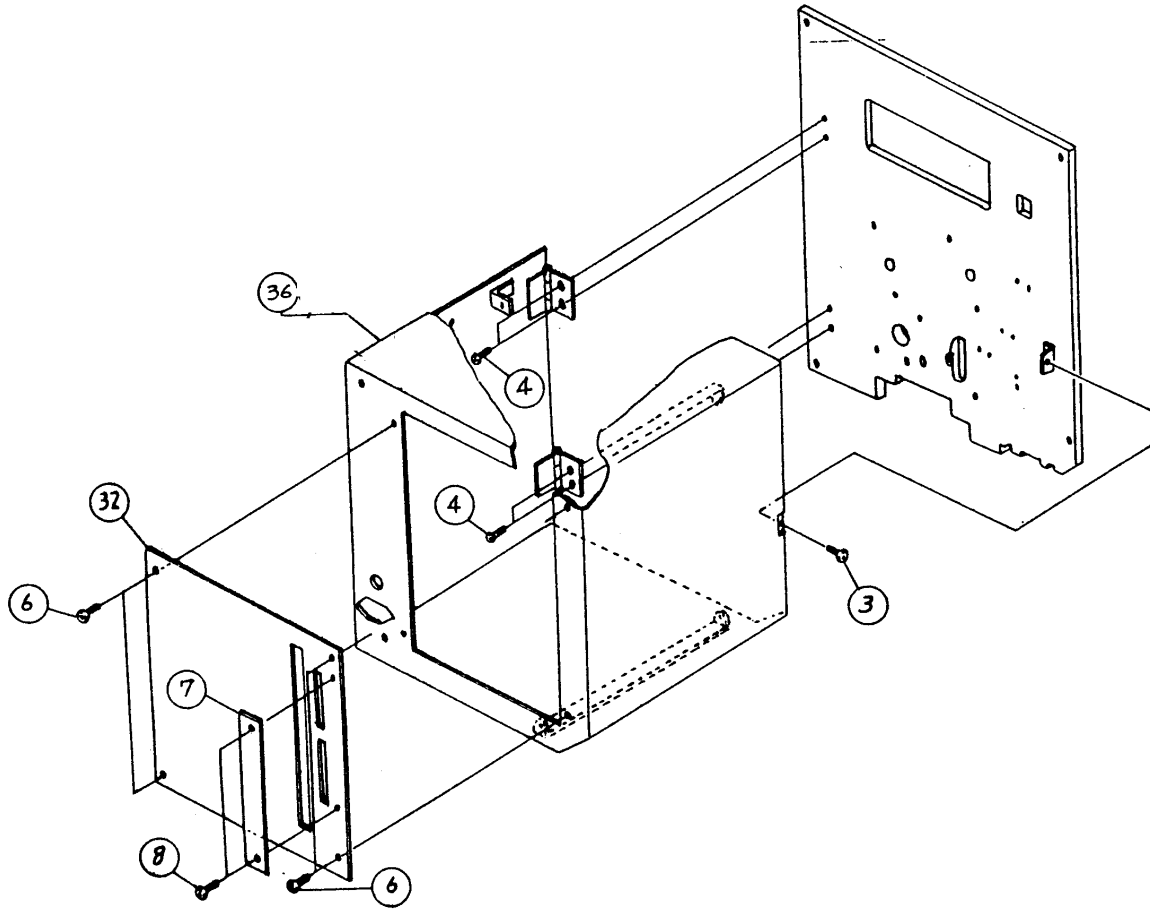
M8485S Opposite Hand



Item #	Part number	Description	QTY
2	PB0731800	Pressure roller	1
3	PT1108040	Ball supporter	2
4	PA4730300	Plate spring	4
5	MJ9300622	Screw	4
6	PA1730400	Stopper plate	1
7	MC0300622	Pan head screw	2
11	PR1732001	Roller holder (pressure)	1

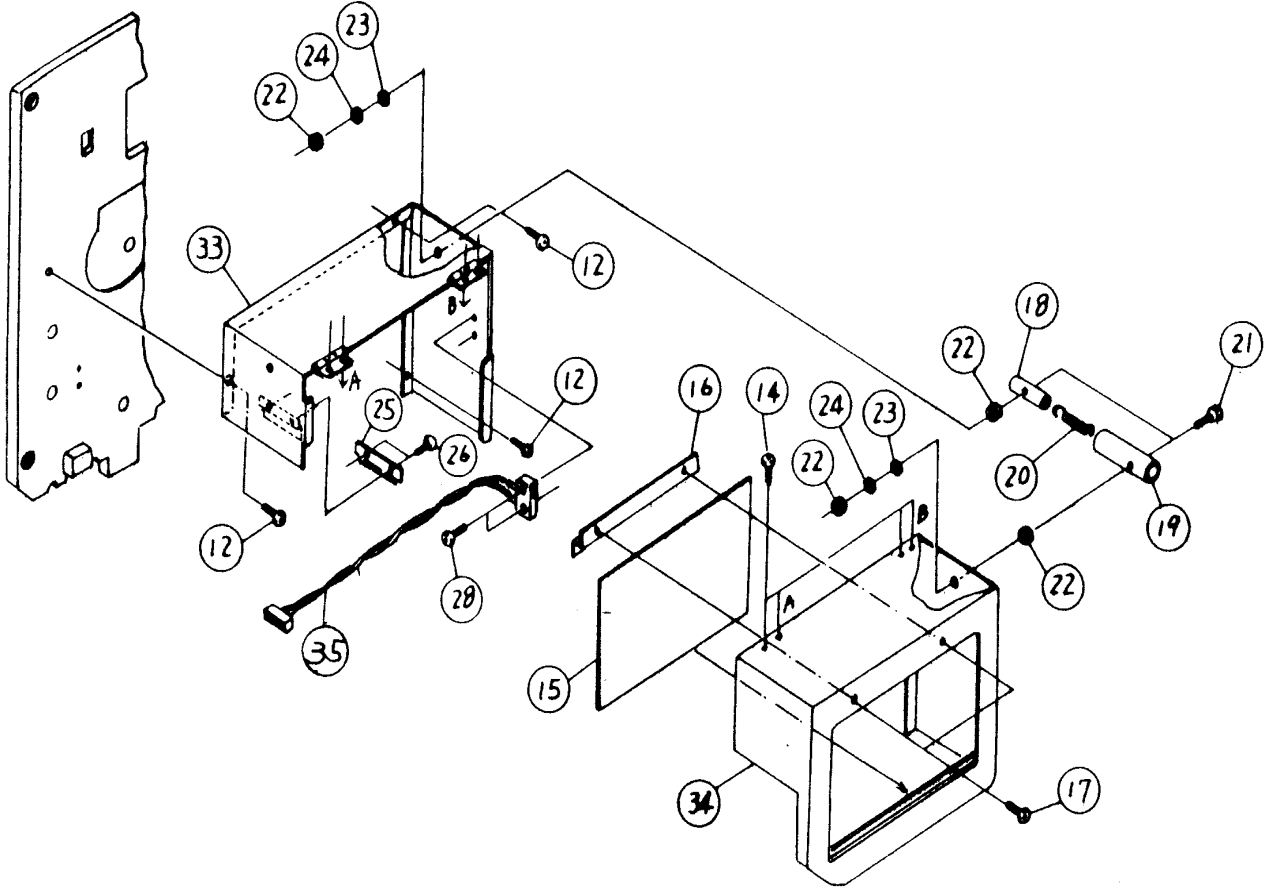
Cover Assembly

M8485S Opposite Hand



Cover Assembly

M8485S Opposite Hand



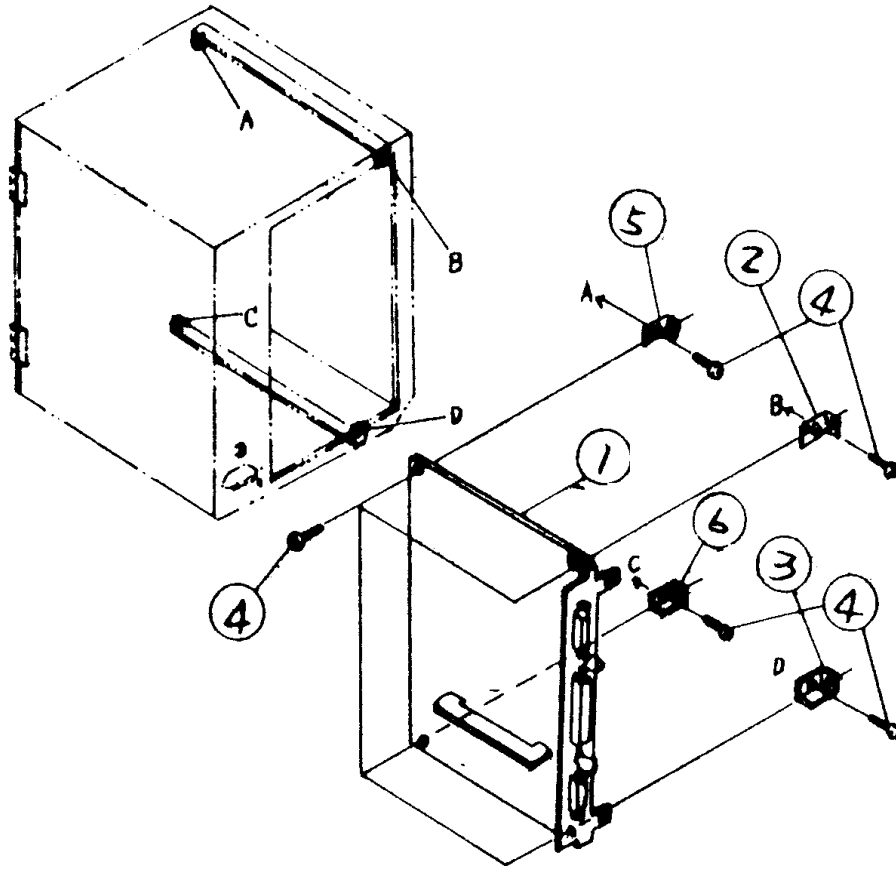
Cover Assembly			
Item #	Part number	Description	QTY
3	MC0400822	Pan head screw	1

M8485S Opposite Hand

4	MC0300822	Pan head screw	4
6	MC0300622	Pan head screw	4
7	PA1730901	Sub cover	1
8	MC0300622	Pan head screw	2
12	MC0300822	Pan head screw	3
14	MA7300625	Truss screw	4
15	PH2730101	Open cover (B)	1
16	PH1730700	Set plate	1
17	MA7300625	Truss screw	2
18	PE6730300	SP case (A)	1
19	PE6730400	SP case (B)	1
20	PC0090300	Spring	1
21	PB0013700	Spring shaft	2
22	MT3020621	Hex nut	4
23	NA1060022	Washer	2
24	NB0060022	Wave washer	2
25	PR1340500	Anti-static brush	1
26	MD4300622	Pan head screw	2
28	MA0200822	Pan head screw	2
32	PH1731200	Close cover (B)	1
33	PH1731400	Cover bracket	1
34	PH1731600	Open cover (A)	1
35	RH1732700	SEN 6 cable	1
36	PH1731002	Close cover (A)	1

Main PCB Assembly

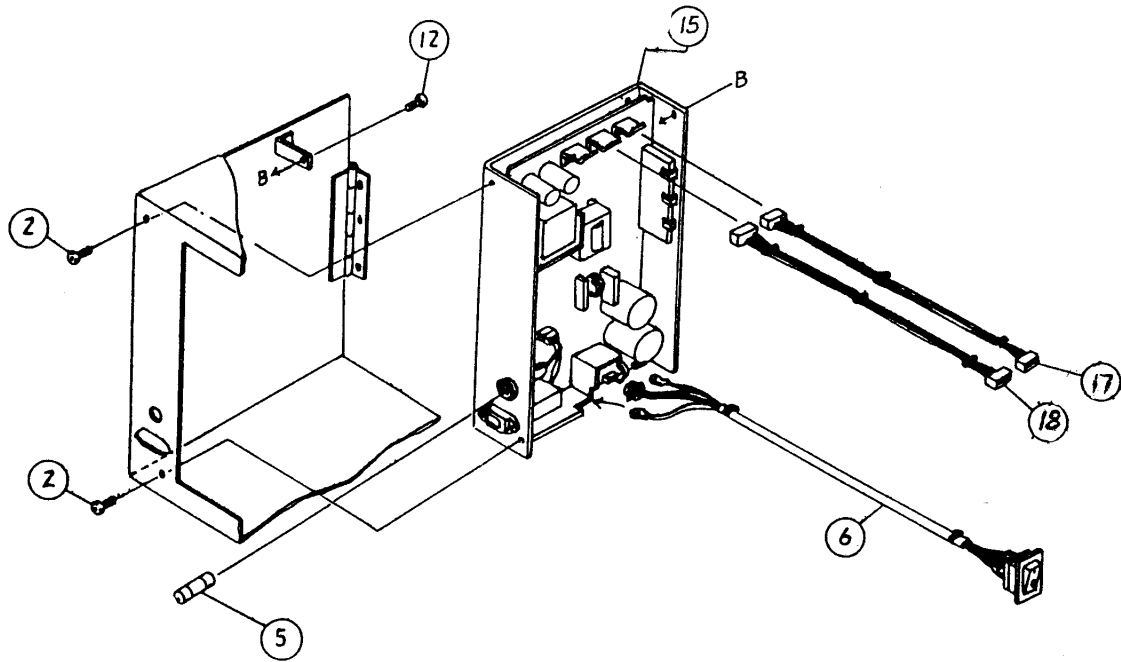
M8485S Opposite Hand



Item #	Part number	Description	QTY
1	RJ1730300	Main PCB	1
2	PA3730300	PCB bracket (A)	1
3	PA3730400	PCB bracket (B)	1
4	MD4300622	Pan head screw	8
5	PA3735400	PCB bracket (AF)	1
6	PA3735500	PCB bracket (BF)	1

Power Supply Unit

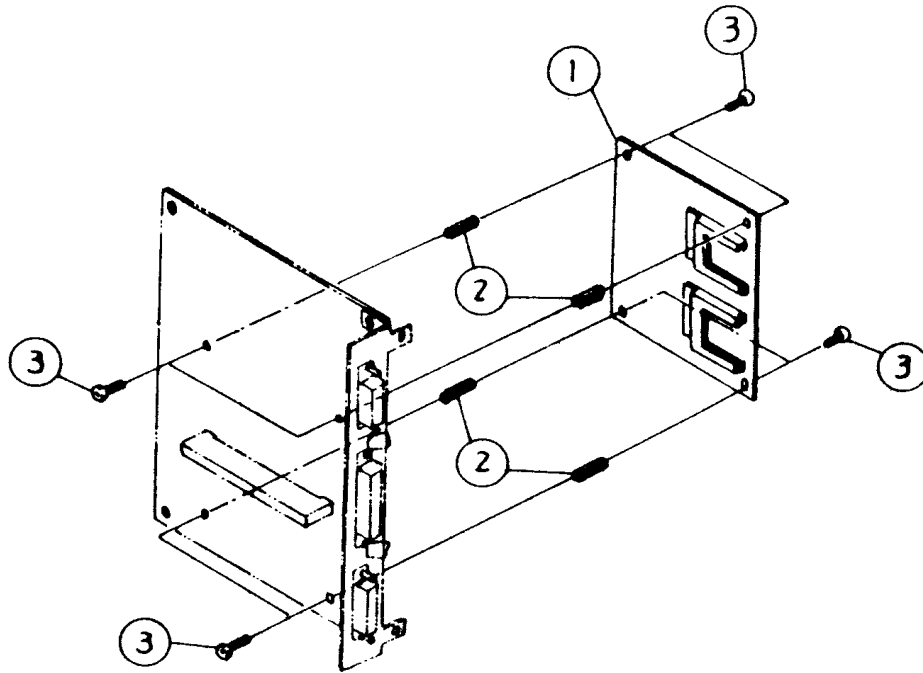
M8485S Opposite Hand



Item #	Part number	Description	QTY
2	MC0301022	Pan head screw	2
5	HD100301A	Fuse	1
6	RH1730502	POW switch cable	1
12	MC0401022	Pan head screw	1
15	PR7730100	Power supply unit (115V)	1
17	RH1730100	POW 1 cable	1
18	RH1730200	POW 2 cable	1

Memory PCB Assembly (Option)

M8485S Opposite Hand



Item #	Part Number	Description	Qty
1	RJ1723100	Card PCB set	1
2	PT9730000	Spacer	4
3	MD3300622	Pan Head Screw	8