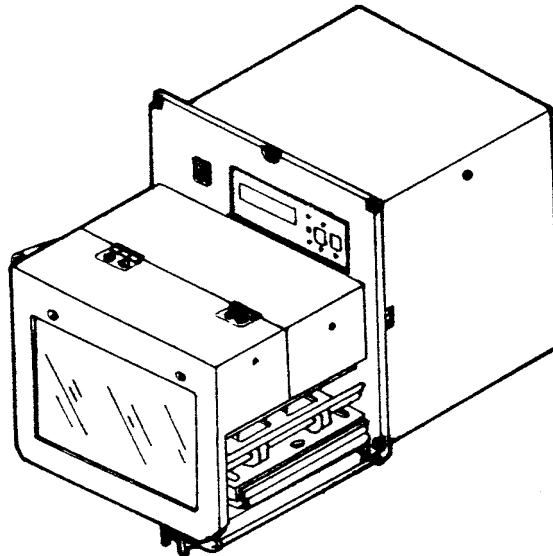




M8485S Parts List



Please note that this list is divided into two sections. Use the second section (pages 30-56) if your printer S/N is between 50100000 and 70699999. For all other serial numbers please use the first section (pages 3-29)

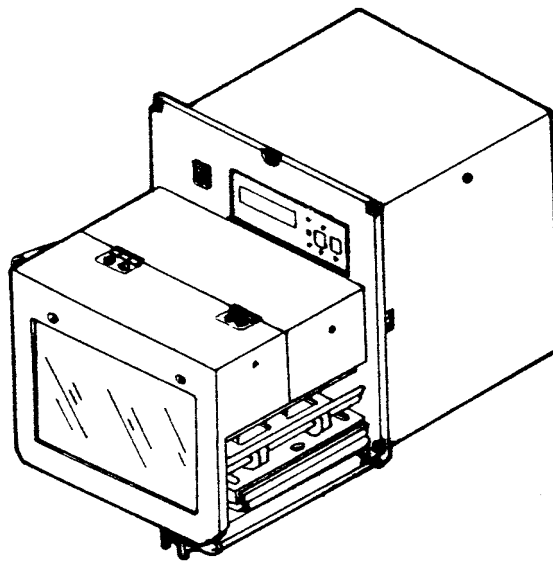
P/N 9001033 REV. D



M8485S

Parts List

(Use this section for all serial numbers other than 50100000 to 70699999)



Sato America, Inc.
10350-A Nations Ford Rd.
Charlotte, NC 28273
Phone (704) 644-1650
Fax (704) 644-1662

P/N 9001033 REV. D

M8485S

| <u>Description</u> | <u>Page #</u> |
|---------------------------------|----------------------|
| Frame Assembly | 4-8 |
| Thermal Head Assembly | 9-12 |
| Ribbon Assembly | 13-17 |
| Feed Roller Assembly | 18-21 |
| Pressure Roller Assembly | 22-23 |
| Cover Assembly | 24-26 |
| Main PCB Assembly | 27-27 |
| Check PCB Assembly | 28-28 |
| Memory PCB Assembly (Option) | 29-29 |

M8485S

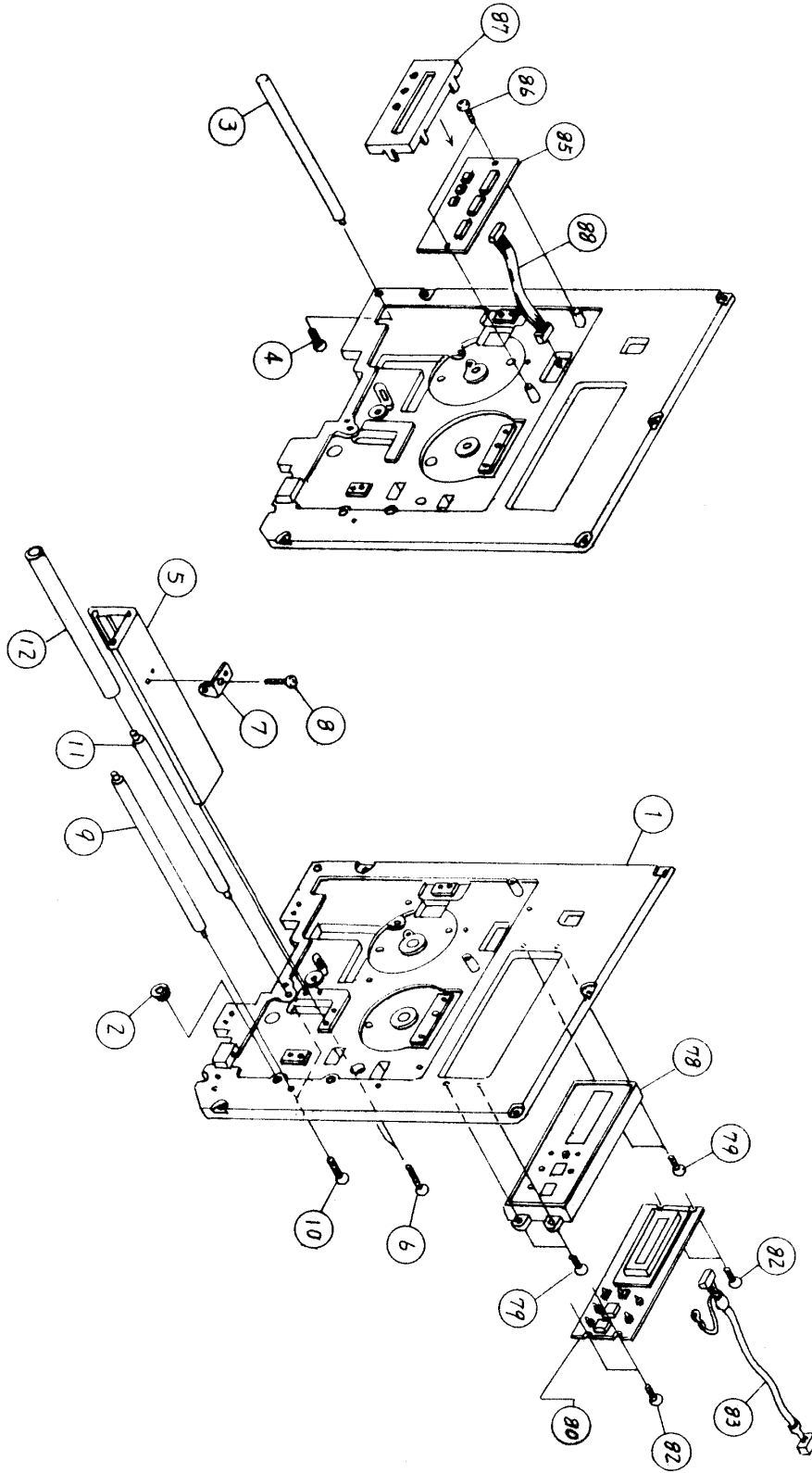
| FRAME ASSEMBLY | | | |
|-----------------------|--------------------|-----------------------|------------|
| ITEM # | PART NUMBER | DESCRIPTION | QTY |
| 1 | PL1730700 | Engine frame | 1 |
| 2 | PT2108006 | Dry metal | 1 |
| 3 | PB0540101 | Guide post | 1 |
| 4 | MC0401022 | Pan head screw | 1 |
| 5 | PR1730500 | Stay | 1 |
| 6 | MC0401222 | Pan head screw | 2 |
| 7 | PA3732500 | Spring bracket | 1 |
| 8 | MC0300622 | Pan head screw | 1 |
| 9 | PB0731500 | Shaft (support) | 1 |
| 10 | MC0401022 | Pan head screw | 2 |
| 11 | PB0732800 | Shaft (ribbon adjust) | 1 |
| 12 | PR1730300 | Roller | 1 |
| 13 | PA3736200 | Dispense bar bracket | 1 |
| 14 | MN0300824 | Hex bolt | 1 |
| 15 | PD1731300 | Dispense bar | 1 |
| 16 | MN0300624 | Hex bolt | 1 |
| 19 | PB0733500 | Shaft (holder) | 1 |
| 20 | NB0040022 | Wave washer | 2 |
| 21 | PA4730500 | Plate spring | 2 |
| 22 | PL1730800 | Platen frame | 2 |
| 23 | PR0730100 | Platen roller | 2 |
| 24 | PB2730100 | Collar | 2 |
| 25 | MJ1300424 | W-point screw | 2 |
| 26 | PT1112060 | Ball supporter | 2 |
| 27 | PT1109050 | Ball supporter | 2 |
| 28 | PA3736301 | Supporter clamp | 1 |
| 29 | MN0400824 | Hex bolt | 2 |
| 31 | PB0730500 | Post (latch) | 1 |
| 32 | PB2740100 | Collar | 1 |
| 33 | PE3720300 | Roller | 1 |
| 34 | MD4301222 | Pan head screw | 1 |
| 35 | PA3736400 | Latch handle (holder) | 1 |
| 36 | PB0733400 | Shaft (latch handle) | 1 |
| 37 | PC3730101 | Spring | 1 |
| 38 | PE1730700 | Handle (C) | 1 |
| 39 | NG2201030 | Pin | 1 |
| 40 | ND0030030 | E-snap ring | 2 |
| 43 | MN0402524 | Hex bolt | 2 |

M8485S

| FRAME ASSEMBLY | | | |
|-----------------------|--------------------|---------------------|------------|
| ITEM # | PART NUMBER | DESCRIPTION | QTY |
| 44 | MN0402024 | Hex bolt | 1 |
| 45 | MN0401024 | Hex bolt | 1 |
| 46 | PE8730200 | Pulley | 2 |
| 47 | ND0040030 | E-snap ring | 2 |
| 49 | PA3734800 | Pulley bracket | 1 |
| 50 | PA2730700 | Plate nut | 1 |
| 51 | PB0731600 | Shaft (roller) | 1 |
| 52 | PR1730600 | Tension roller | 1 |
| 53 | ND0040030 | E-snap ring | 1 |
| 54 | MD4402022 | Pan head screw | 2 |
| 55 | PT8190064 | Timing belt | 1 |
| 56 | PL1720100 | Motor pulley | 1 |
| 57 | MJ1400524 | W-point screw | 2 |
| 58 | RH1730600 | Stepper motor assy. | 1 |
| 59 | MC0401222 | Pan head screw | 2 |
| 61 | PB0731701 | Shaft | 1 |
| 62 | PE8730100 | Gear | 1 |
| 63 | PE8730300 | Pulley | 1 |
| 64 | PT1112060 | Ball supporter | 2 |
| 65 | ND0040030 | E-snap ring | 1 |
| 66 | PT8150064 | Timing belt | 1 |
| 67 | PA1730500 | Shaft bracket | 1 |
| 68 | MC0401022 | Pan head screw | 2 |
| 70 | PA1730700 | Tension bracket | 1 |
| 71 | PB0730600 | Post (tension) | 1 |
| 72 | MD4400822 | Pan head screw | 1 |
| 73 | PR1730600 | Tension roller | 1 |
| 74 | ND0040030 | E-snap ring | 1 |
| 75 | MD4300822 | pan head screw | 2 |
| 78 | PR4730501 | Key board cover | 1 |
| 79 | MD4301222 | Pan head screw | 4 |
| 80 | RJ2730200 | Key board PCB | 1 |
| 82 | MH0300821 | P-tight screw | 4 |
| 83 | RH1731300 | PSW cable | 1 |
| 85 | RJ2730100 | DSW PCB set | 1 |
| 86 | MD3300822 | Pan head screw | 2 |
| 87 | PH0730200 | DSW cover | 1 |
| 88 | RH1731600 | DSW cable set | 1 |

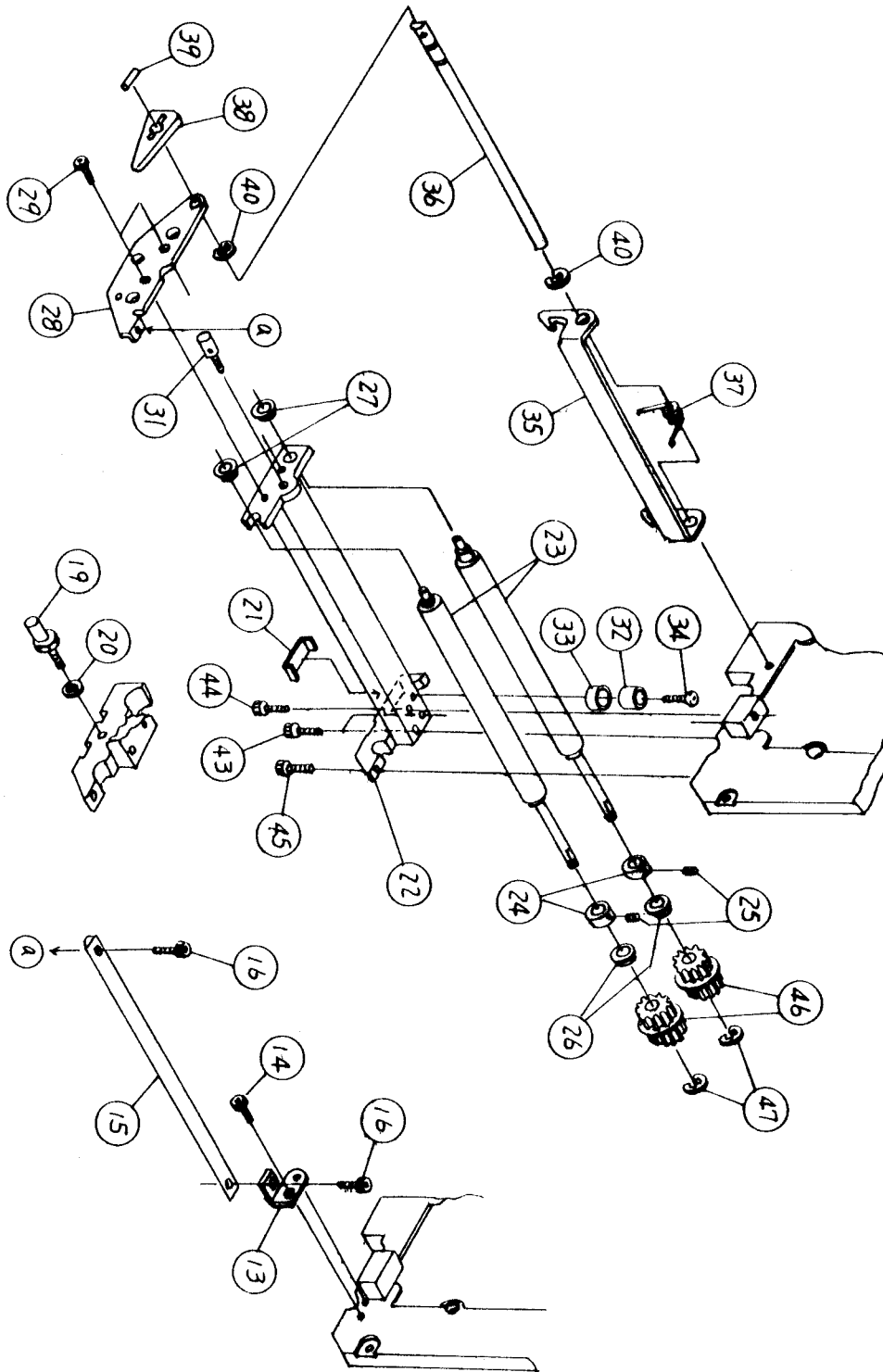
M8485S

FRAME ASSEMBLY



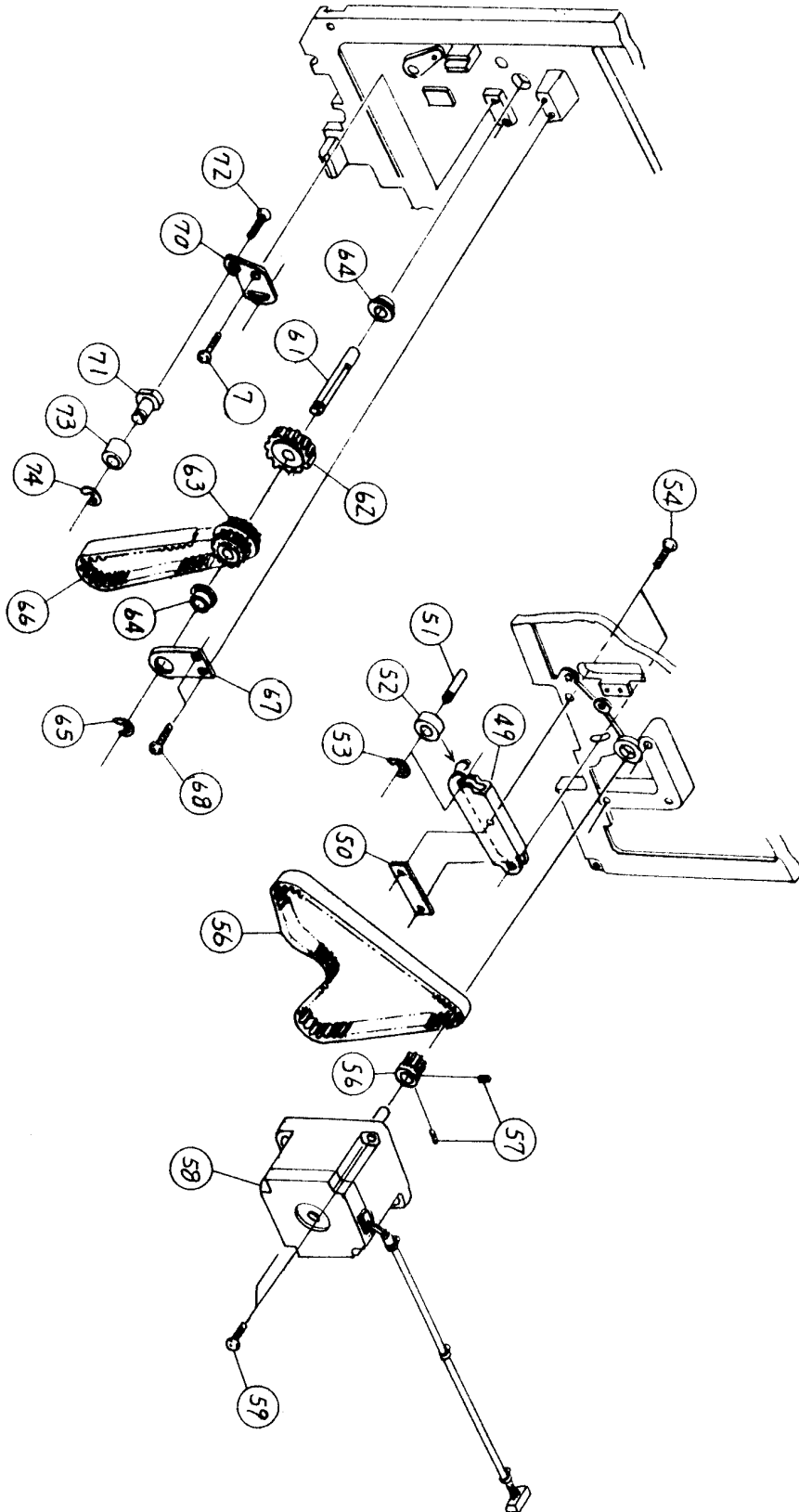
M8485S

FRAME ASSEMBLY



M8485S

FRAME ASSEMBLY



M8485S

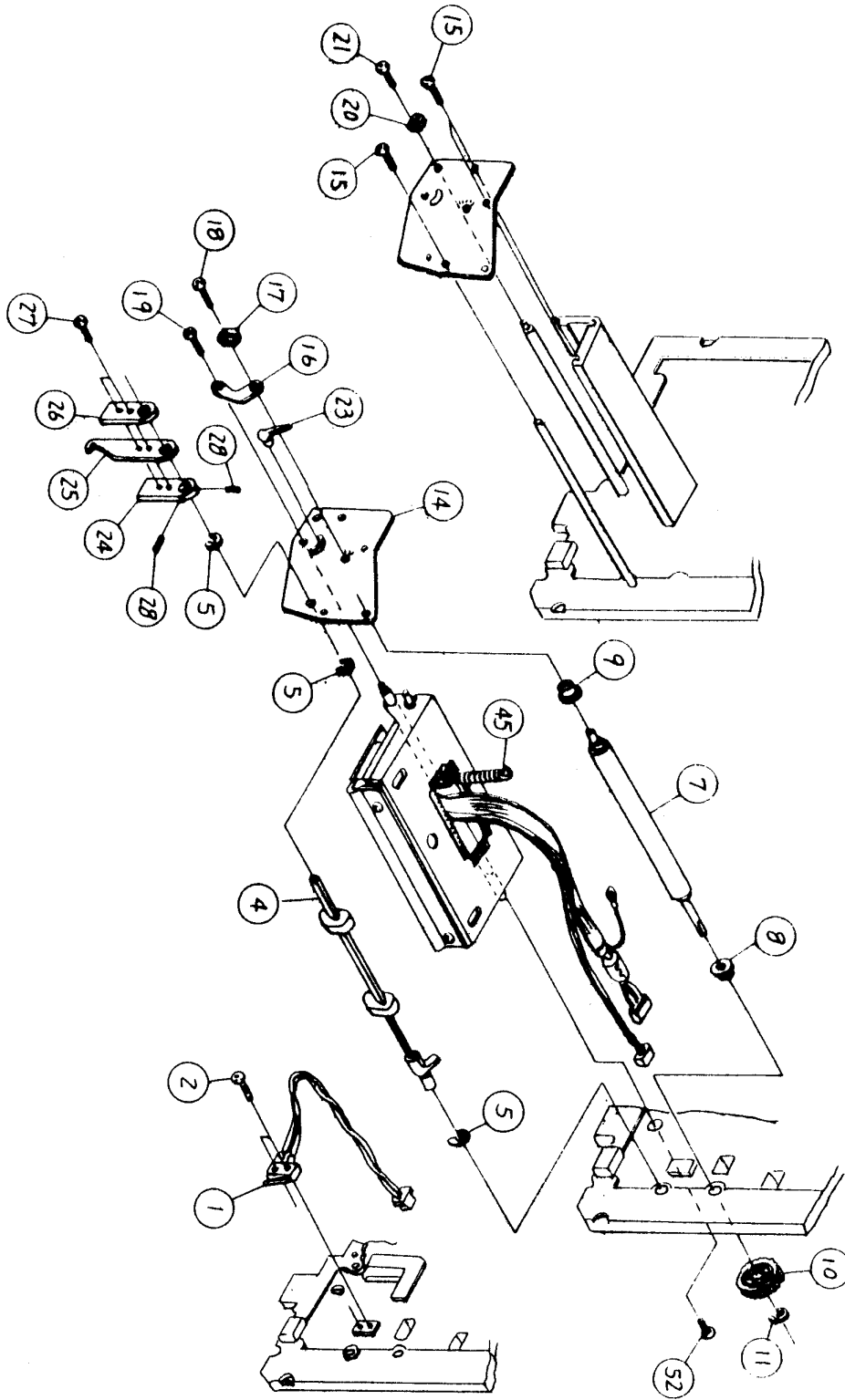
| THERMAL HEAD ASSEMBLY | | | |
|------------------------------|--------------------|-------------------------|------------|
| ITEM # | PART NUMBER | DESCRIPTION | QTY |
| 1 | RH1731100 | SEN 5 Cable | 1 |
| 2 | MD3201221 | Pan head screw | 1 |
| 4 | PR1730700 | Pressure cam | 1 |
| 5 | ND0060030 | E-snap ring | 3 |
| 7 | PR0730200 | Feed roller | 1 |
| 8 | PT1112060 | Ball supporter | 1 |
| 9 | PT1109050 | Ball supporter | 1 |
| 10 | PE8730100 | Gear | 1 |
| 11 | ND0040030 | E-snap ring | 1 |
| 14 | PA2730200 | Head frame | 1 |
| 15 | MC0401022 | Pan head screw | 3 |
| 16 | PA1730300 | Plate (adjust) | 1 |
| 17 | PL2720100 | Adjust collar | 1 |
| 18 | MD4300822 | Pan head screw | 1 |
| 19 | MC0401022 | Pan head screw | 1 |
| 20 | PL2730100 | Adjust collar | 1 |
| 21 | MD4401022 | Pan head screw | 1 |
| 23 | PE1730400 | Handle (B) | 1 |
| 24 | PD1730600 | Handle (A) | 1 |
| 25 | PA2730600 | Latch handle (C) | 1 |
| 26 | PD1731200 | Handle (B) | 1 |
| 27 | MD4301022 | Pan head screw | 2 |
| 28 | MJ1300424 | W-point screw | 2 |
| 31 | PA3732300 | Head bracket | 1 |
| 32 | PV9730200 | Bushing | 1 |
| 33 | PB0731400 | Shaft (adjust cam) | 1 |
| 34 | PE1730300 | Adjust cam | 2 |
| 35 | ND0050030 | E-snap ring | 2 |
| 36 | PC1730200 | Spring (head) | 2 |
| 37 | PR4731100 | Head bracket | 1 |
| 38 | PR1730200 | Adjust plate (head) | 1 |
| 39 | MD4300622 | Pan head screw | 2 |
| 40 | PB0731100 | Shaft (head bracket) | 1 |
| 41 | ND0070030 | E-snap ring | 2 |
| 42 | PA3732100 | Ribbon plate | 1 |
| 43 | MD3250522 | Pan head screw | 2 |
| 44 | PA4730401 | Plate spring (head cam) | 1 |
| 45 | PC0730200 | Spring (head open) | 1 |

M8485S

| THERMAL HEAD ASSEMBLY | | | |
|------------------------------|--------------------|--------------------|------------|
| ITEM # | PART NUMBER | DESCRIPTION | QTY |
| 47 | GH000441A | Print Head Assy | 1 |
| 48 | RH1731200 | HDS cable | 1 |
| 49 | RH1732200 | HDP cable | 1 |
| 51 | PB5730300 | Screw (head) | 1 |
| 52 | MC0401022 | Pan head screw | 2 |

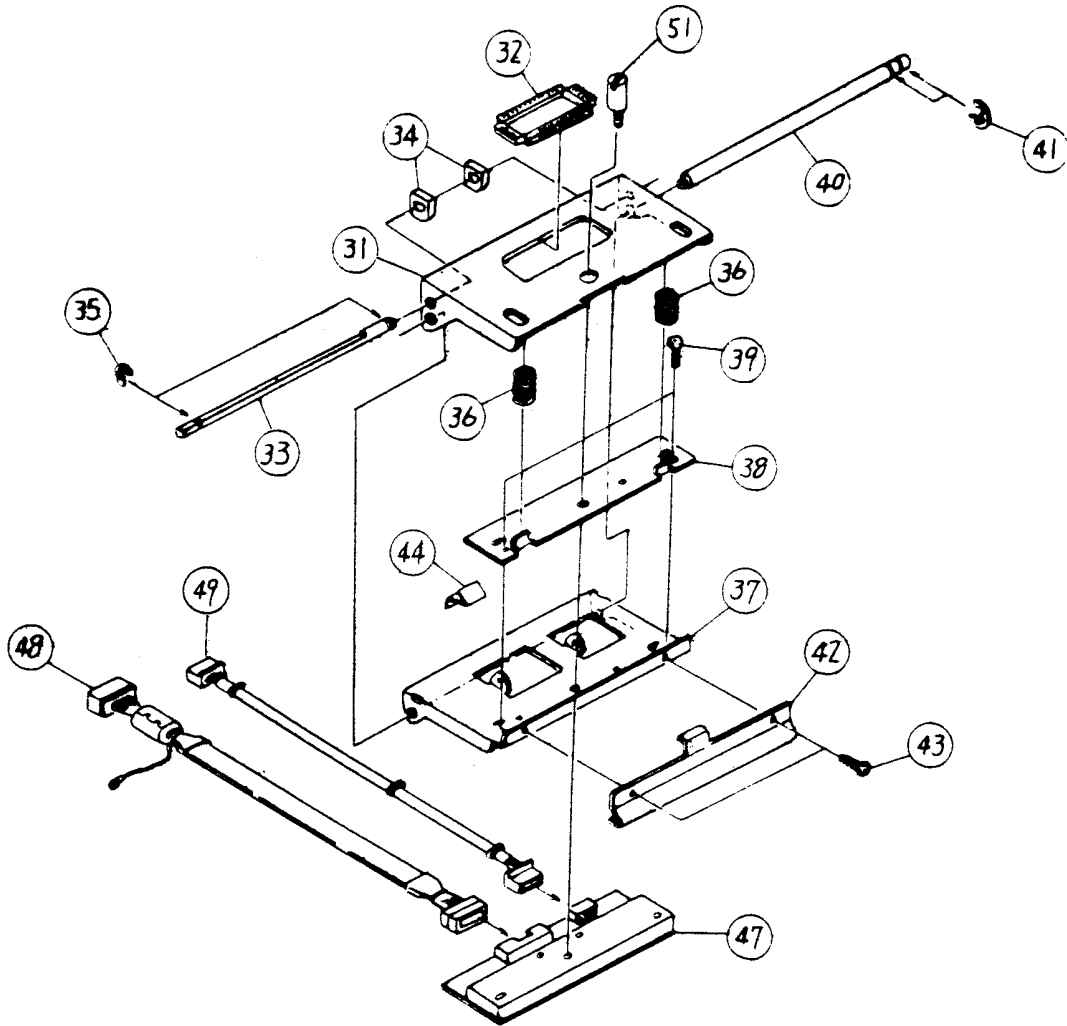
M8485S

THERMAL HEAD ASSEMBLY



M8485S

THERMAL HEAD ASSEMBLY



M8485S

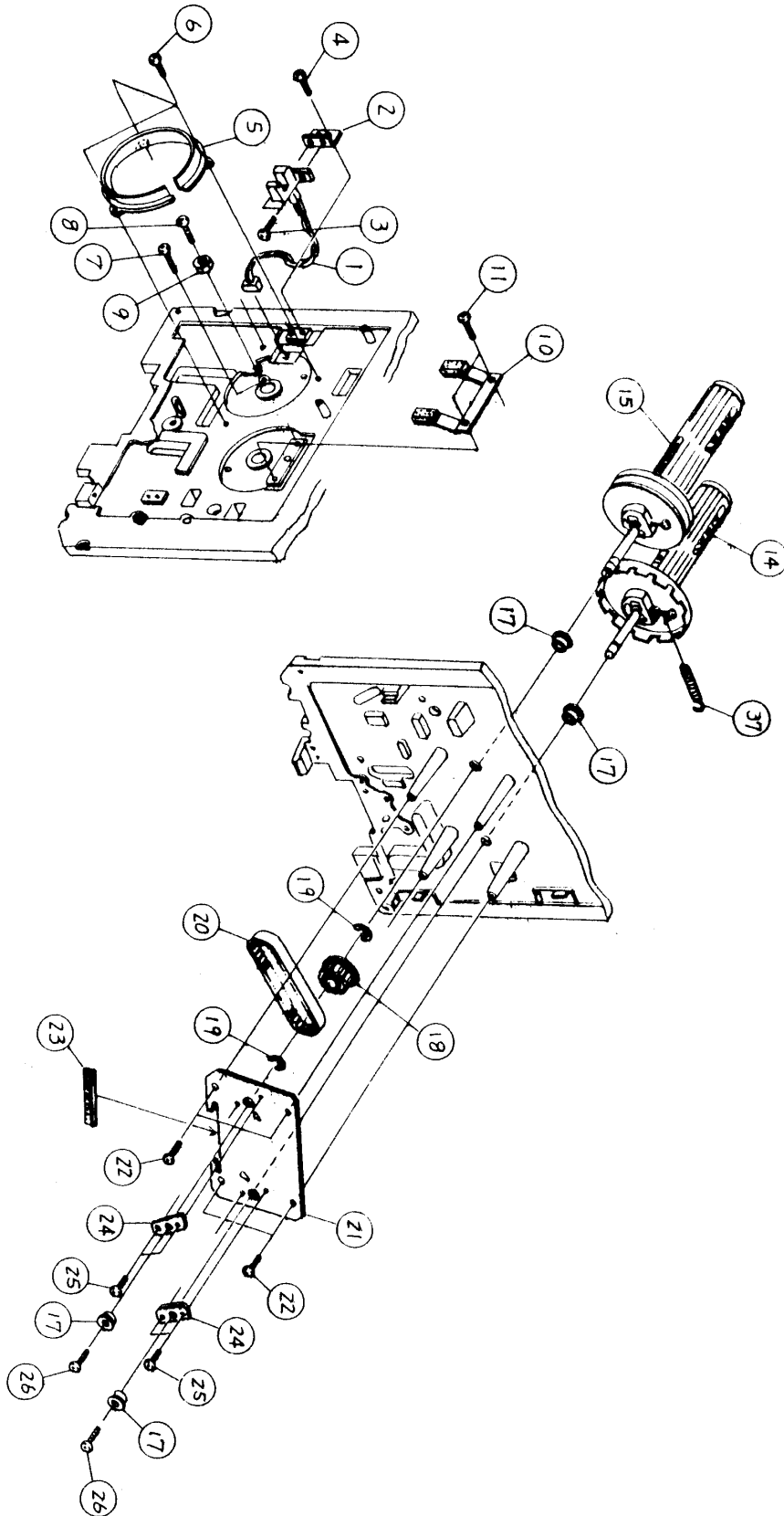
| RIBBON ASSEMBLY | | | |
|------------------------|--------------------|-------------------------|------------|
| ITEM # | PART NUMBER | DESCRIPTION | QTY |
| 1 | RH1730400 | SEN4 cable | 1 |
| 2 | PA3730200 | Sensor bracket (ribbon) | 1 |
| 3 | MA0300622 | Pan head screw | 2 |
| 4 | MC0301022 | Pan head screw | 1 |
| 5 | PE6720100 | Disc plate cover | 1 |
| 6 | MD4300622 | Pan head screw | 3 |
| 7 | MD3300822 | Pan head screw | 1 |
| 8 | MA0301022 | Pan head screw | 1 |
| 9 | MT1300522 | Hex nut | 1 |
| 10 | PR4740100 | Spring (tension) | 1 |
| 11 | MD4300622 | Pan head screw | 2 |
| 14 | RC2730200 | Ribbon sub (unwind) | 1 |
| 15 | RC2730300 | Ribbon sub (rewind) | 1 |
| 17 | PT1112080 | Ball supporter | 4 |
| 18 | PR1730800 | Pulley | 1 |
| 19 | ND0060030 | E-snap ring | 2 |
| 20 | PT8085064 | Timing belt | 1 |
| 21 | PA1730600 | Ribbon frame | 1 |
| 22 | MC0401022 | Pan head screw | 4 |
| 23 | PV9730100 | Bushing | 1 |
| 24 | PA1731000 | Adjust plate | 2 |
| 25 | MD4300622 | Pan head screw | 4 |
| 26 | MD4400822 | Pan head screw | 1 |
| 31 | PB0731200 | Shaft (ribbon) | 2 |
| 32 | PE4720200 | Plate holder boss | 2 |
| 33 | PA0730100 | Guide plate | 2 |
| 34 | MH1250621 | P-tight screw | 4 |
| 35 | MT1300522 | Hex nut | 1 |
| 36 | MA0302522 | Pan head screw | 1 |
| 37 | PC0730100 | Spring (back) | 1 |
| 38 | MA0301821 | Pan head screw | 1 |
| 39 | PA0730200 | Hold plate | 2 |
| 40 | PA0680300 | Lining | 2 |
| 41 | PE7720100 | Disc plate (A) | 1 |
| 42 | PE1681100 | Guide plate (B) | 1 |
| 44 | PR1730900 | Ribbon boss | 2 |
| 45 | PA4690900 | Spring | 8 |
| 46 | MH0300521 | P-tight screw | 8 |

M8485S

| RIBBON ASSEMBLY | | | |
|------------------------|--------------------|--------------------|------------|
| ITEM # | PART NUMBER | DESCRIPTION | QTY |
| 47 | PT2301020 | Dry metal | 2 |
| 48 | PA0680400 | Disc | 2 |
| 49 | PC1730100 | Spring | 2 |
| 50 | PE2730100 | Stopper collar | 2 |
| 51 | PB5730100 | Adjust screw | 2 |
| 52 | MA0302522 | Pan head screw | 2 |

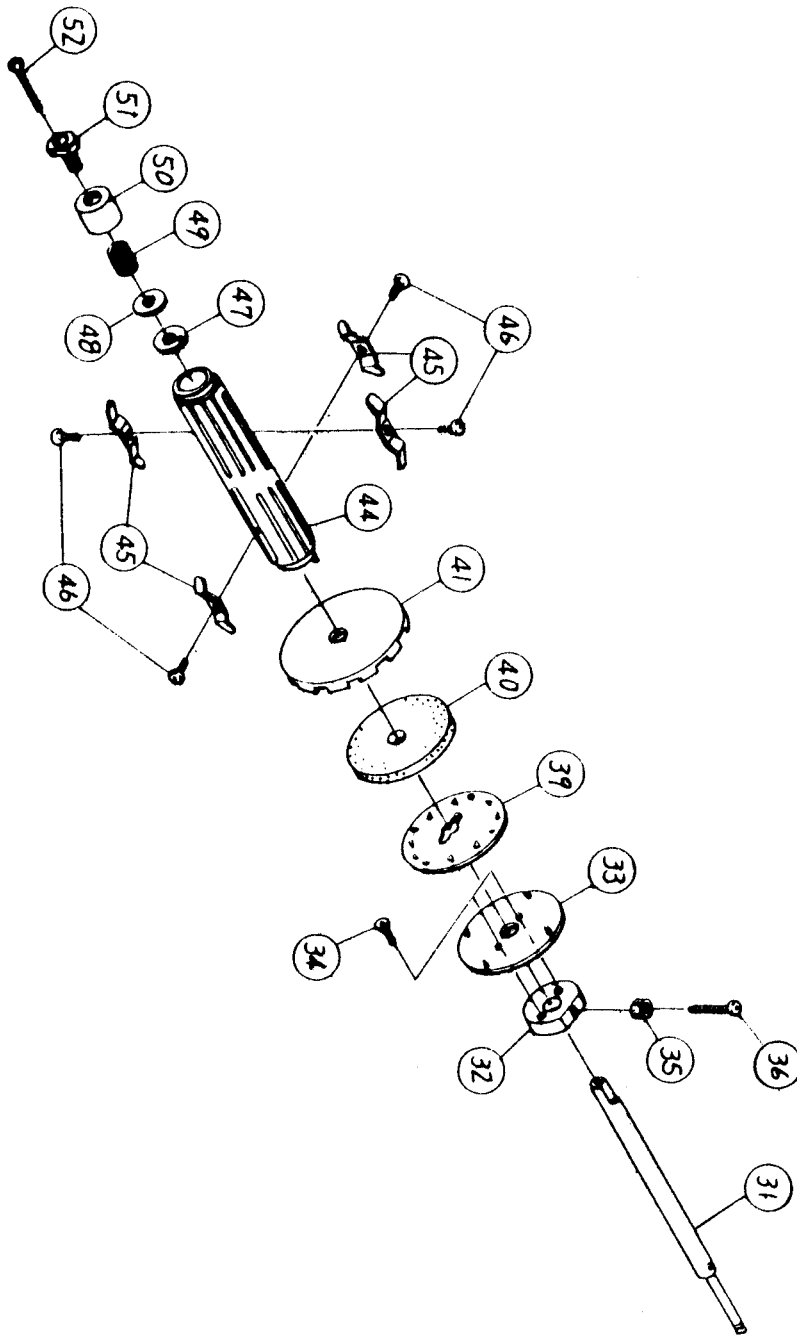
M8485S

RIBBON ASSEMBLY



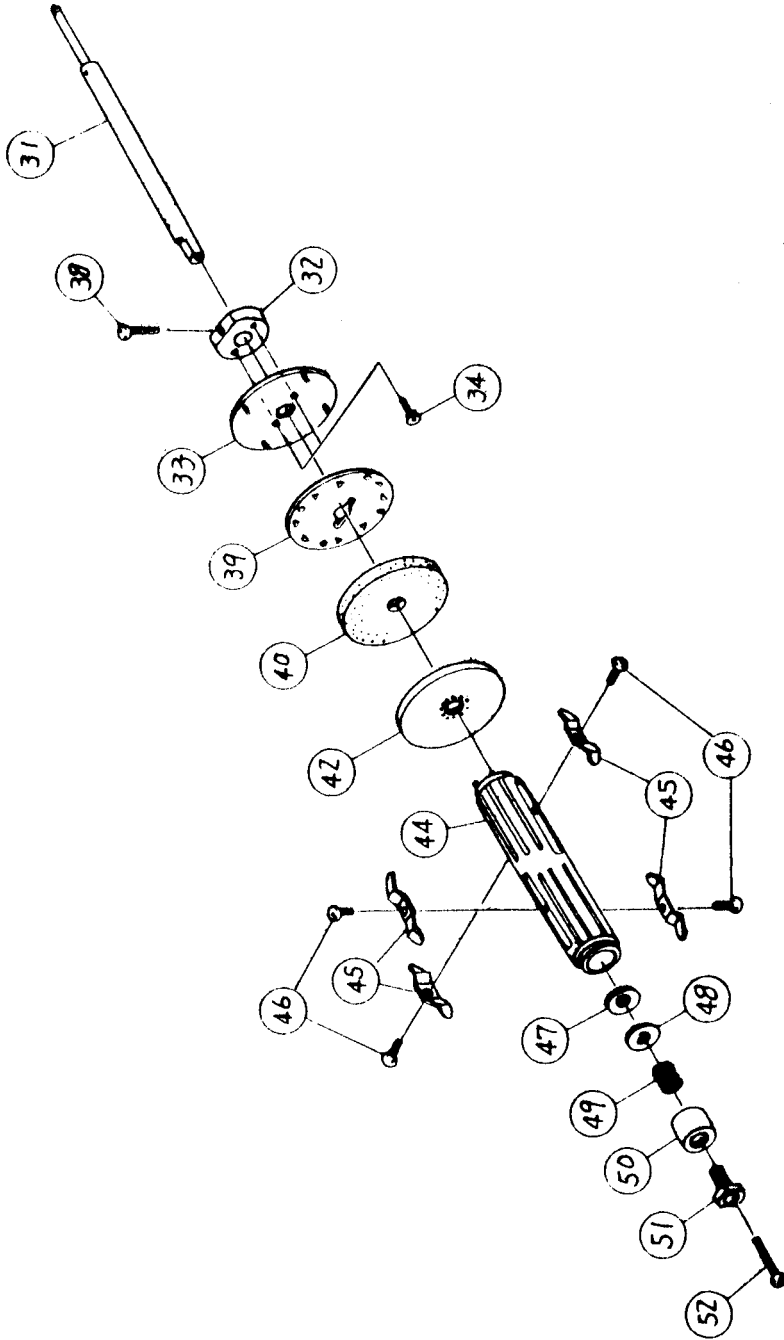
M8485S

RIBBON ASSEMBLY



M8485S

RIBBON ASSEMBLY



M8485S

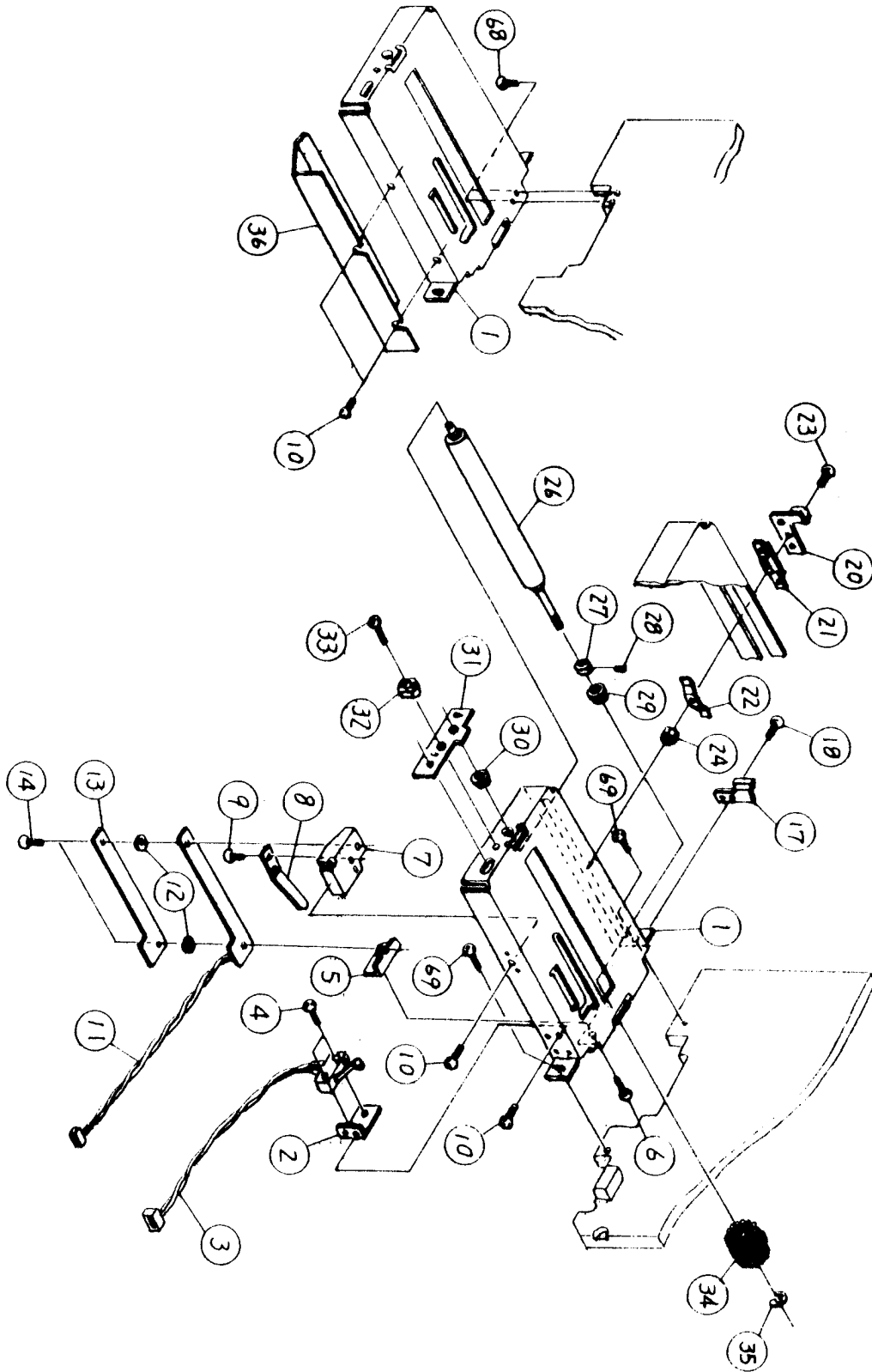
| FEED ROLLER ASSEMBLY | | | |
|-----------------------------|--------------------|----------------------|------------|
| ITEM # | PART NUMBER | DESCRIPTION | QTY |
| 1 | PR4731400 | Paper guide bracket | 1 |
| 2 | PA3732700 | Micro switch bracket | 1 |
| 3 | RH1731500 | SEN7 cable | 1 |
| 4 | MA0200821 | Pan head screw | 2 |
| 5 | PA3730500 | PCB bracket (C) | 1 |
| 6 | MC0300622 | Pan head screw | 1 |
| 7 | PA3730600 | PCB bracket (D) | 1 |
| 8 | PA4730200 | Lift spring | 1 |
| 9 | MD4300622 | Pan head screw | 1 |
| 10 | MD4300622 | Pan head screw | 2 |
| 11 | RH1730900 | SEN1 cable | 1 |
| 12 | PT9680500 | Spacer | 2 |
| 13 | PA1730800 | PCB protector | 1 |
| 14 | MD4300822 | Pan head screw | 2 |
| 17 | PA3731500 | Paper guide (L) | 1 |
| 18 | MJ9300622 | Thin head screw | 2 |
| 20 | PA3731600 | Slide guide | 1 |
| 21 | PE1730200 | Slider | 1 |
| 22 | PA4730100 | Slide spring | 1 |
| 23 | MA0301022 | Pan head screw | 1 |
| 24 | MT1300522 | Hex nut | 1 |
| 26 | PR0730100 | Platen roller | 1 |
| 27 | PB2730100 | Collar | 1 |
| 28 | MJ1300424 | W-point screw | 1 |
| 29 | PT1112060 | Ball supporter | 1 |
| 30 | PT1109050 | Ball supporter | 1 |
| 31 | PA1730100 | Supporter clamp | 1 |
| 32 | PL2720100 | Adjust collar | 1 |
| 33 | MD4300822 | Pan head screw | 1 |
| 34 | PE8730200 | Pulley | 1 |
| 35 | ND0040030 | E-snap ring | 1 |
| 36 | PA3734600 | Paper guide | 1 |
| 40 | PA3731100 | Paper lid (low) | 1 |
| 41 | PA3734700 | Lid bracket | 1 |
| 42 | PB0731000 | Shaft (lid) | 1 |
| 43 | PC2730200 | Spring (open) | 1 |
| 44 | ND0020030 | E-snap ring | 1 |

M8485S

| 45 | PA3731700 | Latch handle | 1 |
|-----------------------------|--------------------|-------------------------|------------|
| FEED ROLLER ASSEMBLY | | | |
| ITEM # | PART NUMBER | DESCRIPTION | QTY |
| 46 | PB0730900 | Shat (latch) | 1 |
| 47 | PC2730100 | Spring (latch) | 1 |
| 48 | ND0020030 | E-snap ring | 1 |
| 49 | PA3731200 | Sensor bracket (pitch) | 1 |
| 50 | RH1731000 | SEN2 cable | 1 |
| 51 | MD4300622 | Pan head screw | 2 |
| 52 | MJ9300622 | Thin head screw | 2 |
| 55 | PA3731000 | Paper lid (up) | 1 |
| 56 | MA0301022 | Pan head screw | 2 |
| 57 | MT1300522 | Hex nut | 2 |
| 58 | PE2730300 | Stopper collar | 2 |
| 59 | PC1730300 | Spring (pressure) | 2 |
| 61 | PA3731300 | Roller bracket | 1 |
| 62 | PB0730800 | Shaft (pressure roller) | 1 |
| 63 | PE3720200 | Roller | 4 |
| 64 | PE3720500 | Roller | 4 |
| 65 | MA0300422 | Pan head screw | 2 |
| 66 | MC0300622 | Pan head screw | 2 |
| 67 | MN0300624 | Hex bolt | 2 |
| 68 | MN0300824 | Hex bolt | 2 |
| 69 | MN0400824 | Hex bolt | 2 |

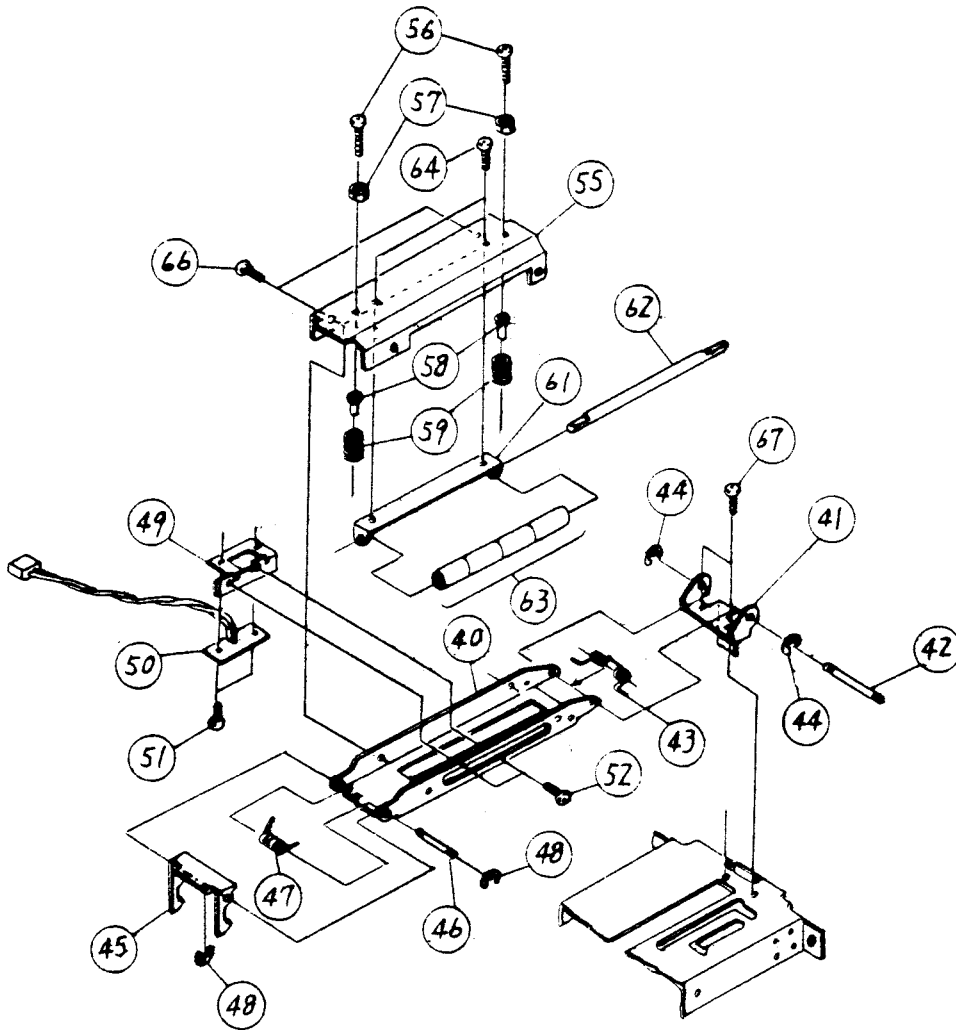
M8485S

FEED ROLLER ASSEMBLY



M8485S

FEED ROLLER ASSEMBLY

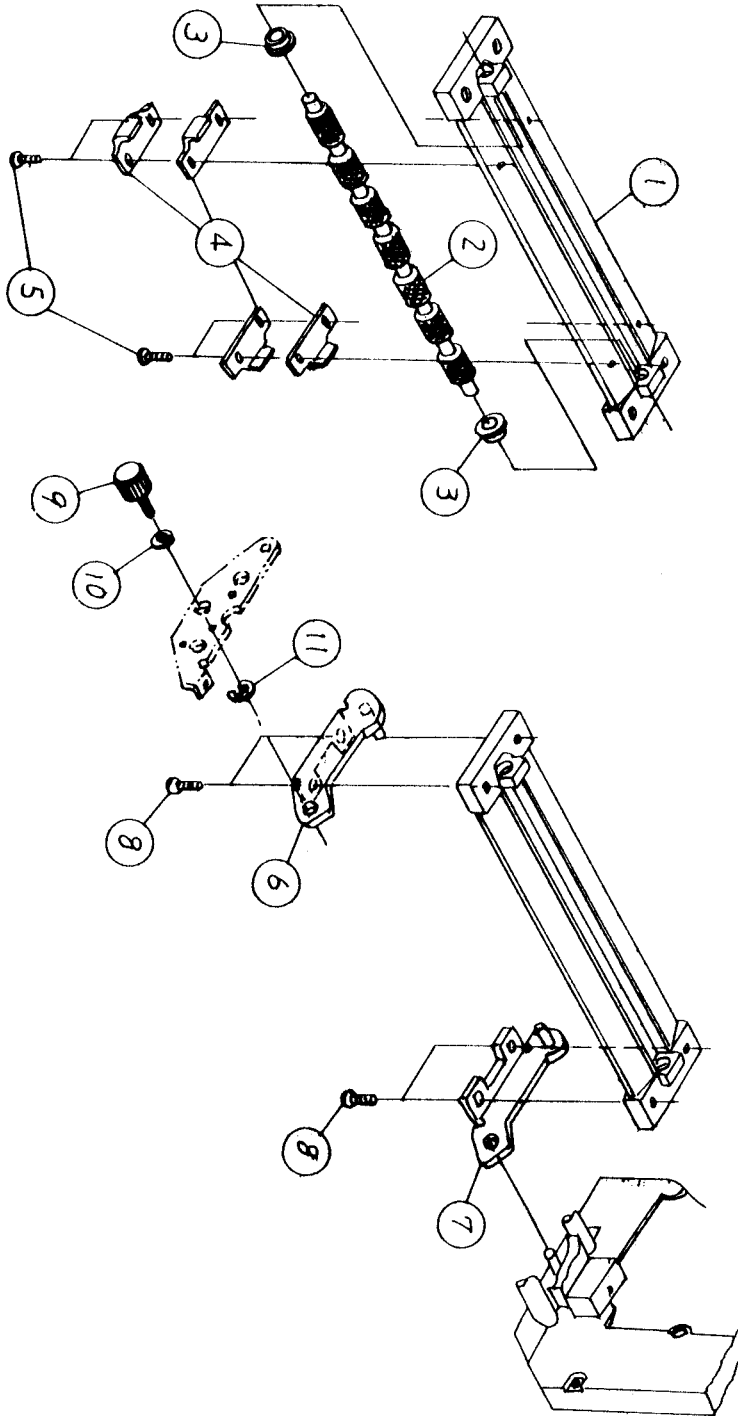


M8485S

| PRESSURE ROLLER ASSEMBLY | | | |
|---------------------------------|--------------------|--------------------------|------------|
| ITEM # | PART NUMBER | DESCRIPTION | QTY |
| 1 | PL1730900 | Roller holder (pressure) | 1 |
| 2 | PB0731800 | Pressure roller | 1 |
| 3 | PT1108040 | Ball supporter | 2 |
| 4 | PA4730300 | Plate spring | 4 |
| 5 | MJ9300622 | Thin head screw | 4 |
| 6 | PR1732800 | Plate (holder F) | 1 |
| 7 | PR1732900 | Plate (holder R) | 1 |
| 8 | MA1300822 | Flat head screw | 4 |
| 9 | PB0733601 | Screw (holder) | 1 |
| 10 | NB0050022 | Spring (washer) | 1 |
| 11 | ND0050030 | E-snap ring | 1 |

M8485S

PRESSURE ROLLER ASSEMBLY

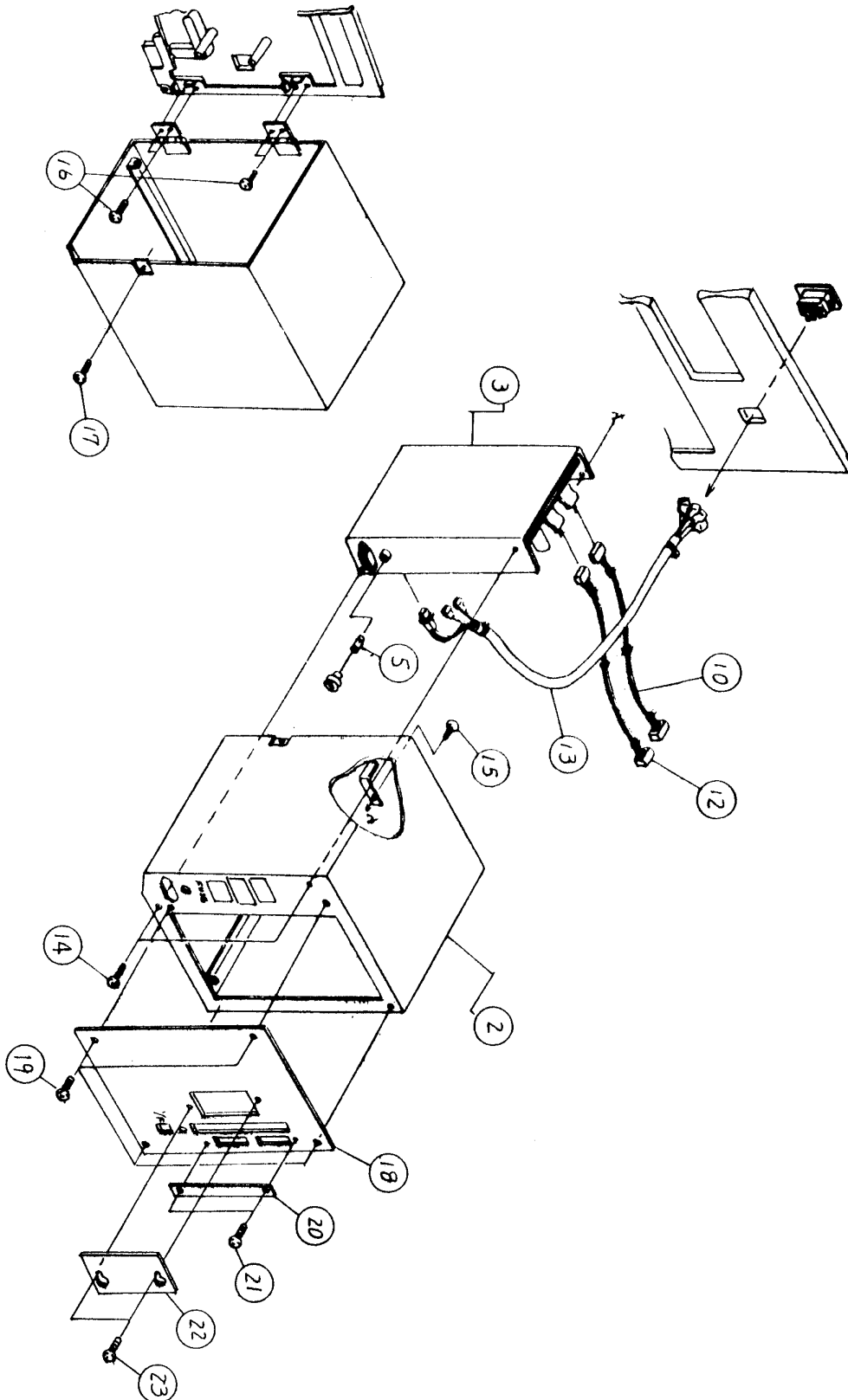


M8485S

| COVER ASSEMBLY | | | |
|-----------------------|--------------------|---------------------|------------|
| ITEM # | PART NUMBER | DESCRIPTION | QTY |
| 2 | PH1731701 | Close cover (A) | 1 |
| 3 | PR7730100 | Power supply (115V) | 1 |
| 5 | HD100301A | Fuse | 1 |
| 10 | RH1732000 | POW1 cable | 1 |
| 12 | RH1732100 | POW2 cable | 1 |
| 13 | RH1730500 | POW SW cable | 1 |
| 14 | MC0301022 | Pan head screw | 2 |
| 15 | MC0401022 | Pan head screw | 1 |
| 16 | MC0301022 | Pan head screw | 4 |
| 17 | MC0401022 | Pan head screw | 1 |
| 18 | PH1731900 | Close cover (B) | 1 |
| 19 | MC0300622 | Pan head screw | 4 |
| 20 | PA1730900 | Sub cover | 1 |
| 21 | MC0300622 | Pan head screw | 2 |
| 22 | PH1732000 | Close cover (C) | 1 |
| 23 | MC0300622 | Pan head screw | 2 |
| 24 | PR1731000 | Cover bracket | 1 |
| 25 | RH1730800 | SEN6 cable | 1 |
| 26 | MA0200821 | Pan head screw | 2 |
| 27 | PR1340500 | Anti-static brush | 1 |
| 28 | MD4300622 | Pan head screw | 2 |
| 29 | MC0301022 | Pan head screw | 3 |
| 31 | PH1730601 | Open cover (A) | 1 |
| 32 | PH2730100 | Open cover (B) | 1 |
| 33 | PH1730700 | Set plate | 1 |
| 34 | MA7300625 | Truss screw | 2 |
| 35 | MA7300625 | Truss screw | 4 |
| 38 | PE6730300 | SP case (A) | 1 |
| 39 | PE6730400 | SP case (B) | 1 |
| 40 | PC0090300 | Spring | 1 |
| 41 | PB0013700 | Spring shaft | 2 |
| 42 | MT3020621 | Hex nut | 4 |
| 43 | NA1060022 | Plain washer | 2 |
| 44 | NB0060022 | Spring washer | 2 |

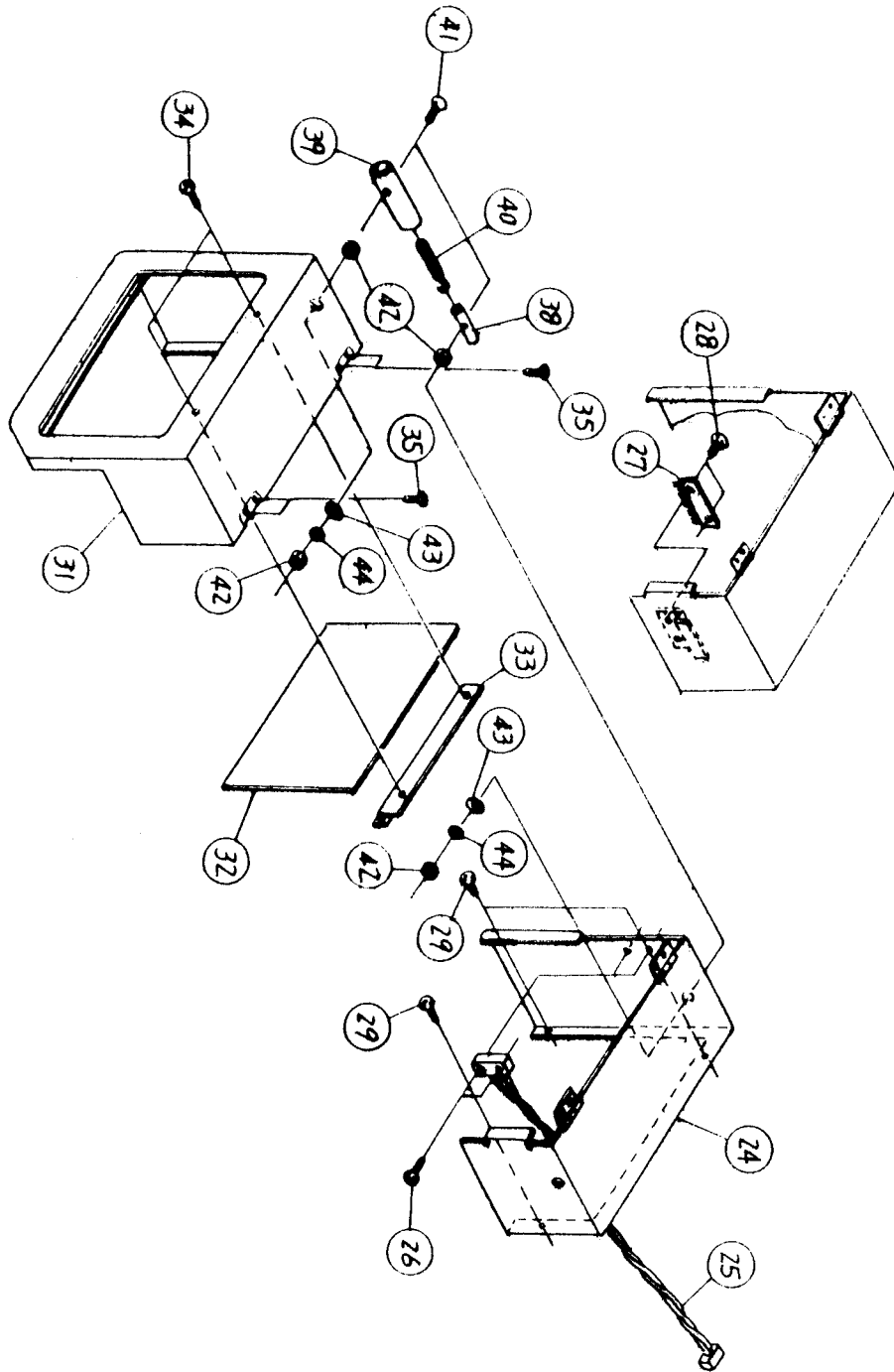
M8485S

COVER ASSEMBLY



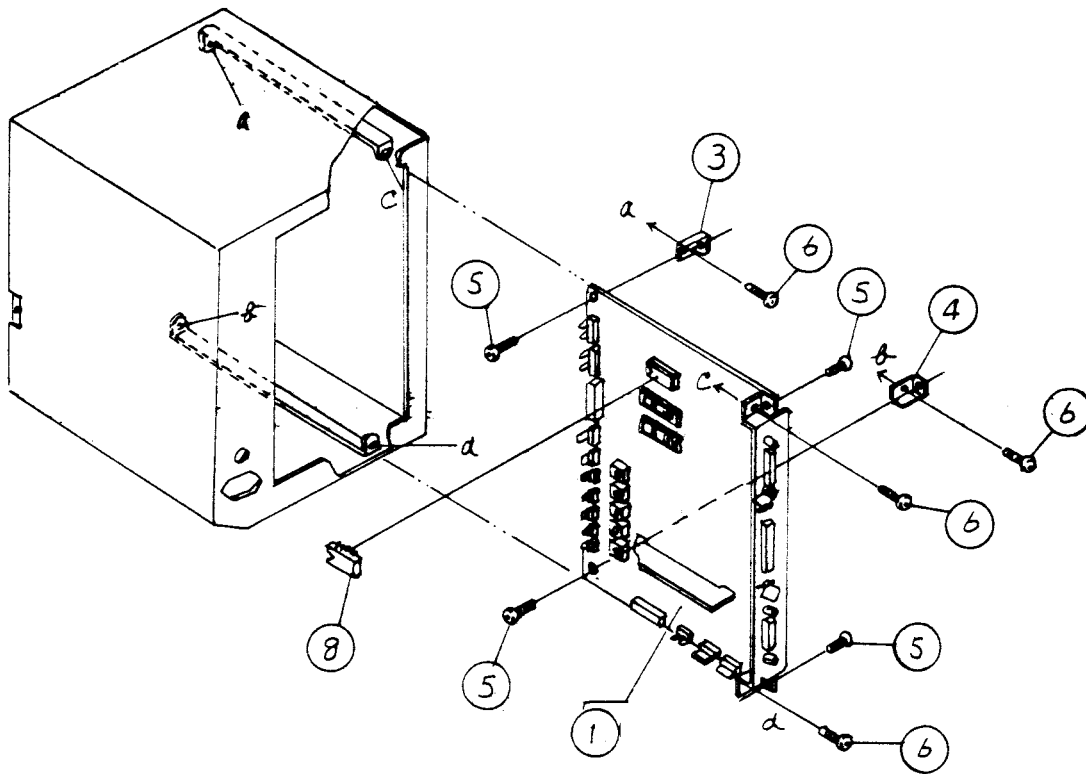
M8485S

COVER ASSEMBLY



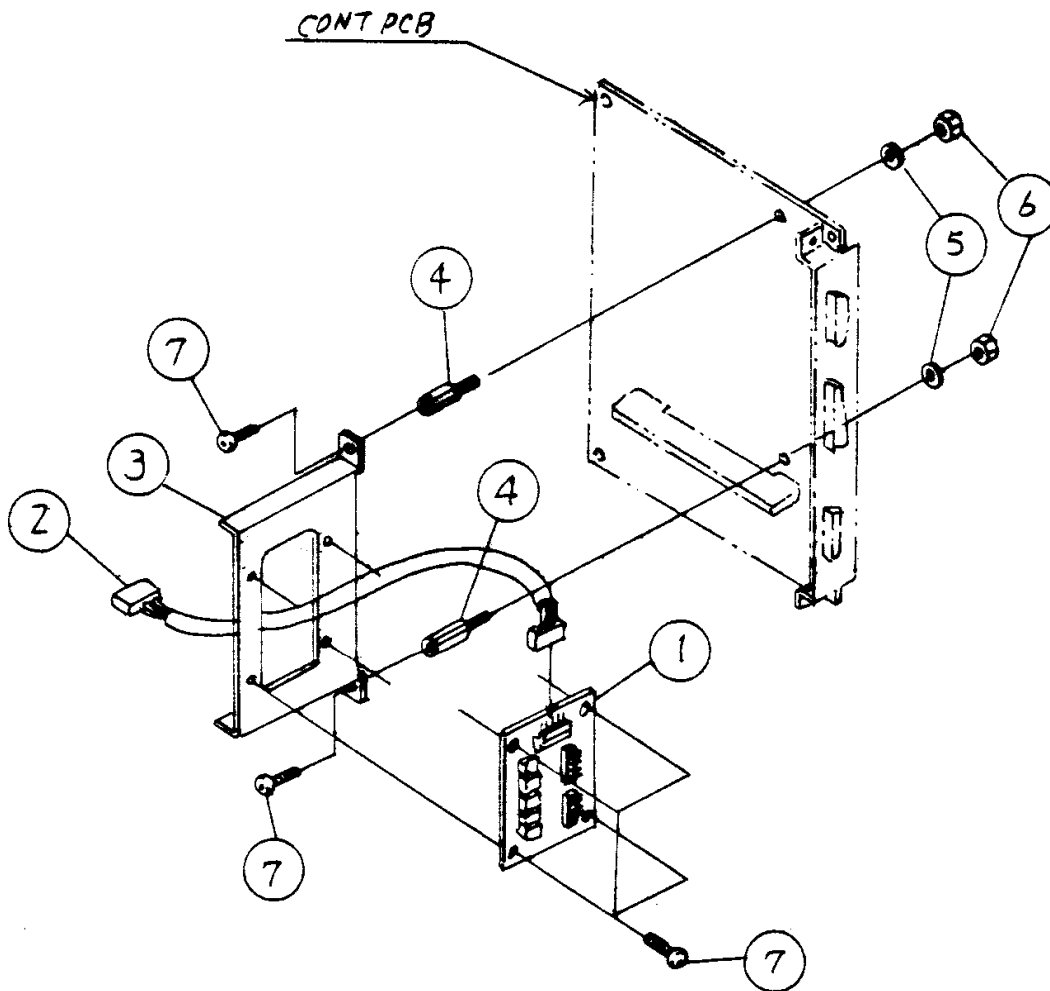
M8485S

| MAIN PCB ASSEMBLY | | | |
|-------------------|-------------|-----------------|-----|
| ITEM # | PART NUMBER | DESCRIPTION | QTY |
| 1 | RJ1731100 | Main PCB | 1 |
| 3 | PA3730300 | PCB bracket (A) | 1 |
| 4 | PA3730400 | PCB bracket (B) | 1 |
| 5 | MD4300622 | Pan head screw | 4 |
| 6 | MD4300622 | Pan head screw | 4 |



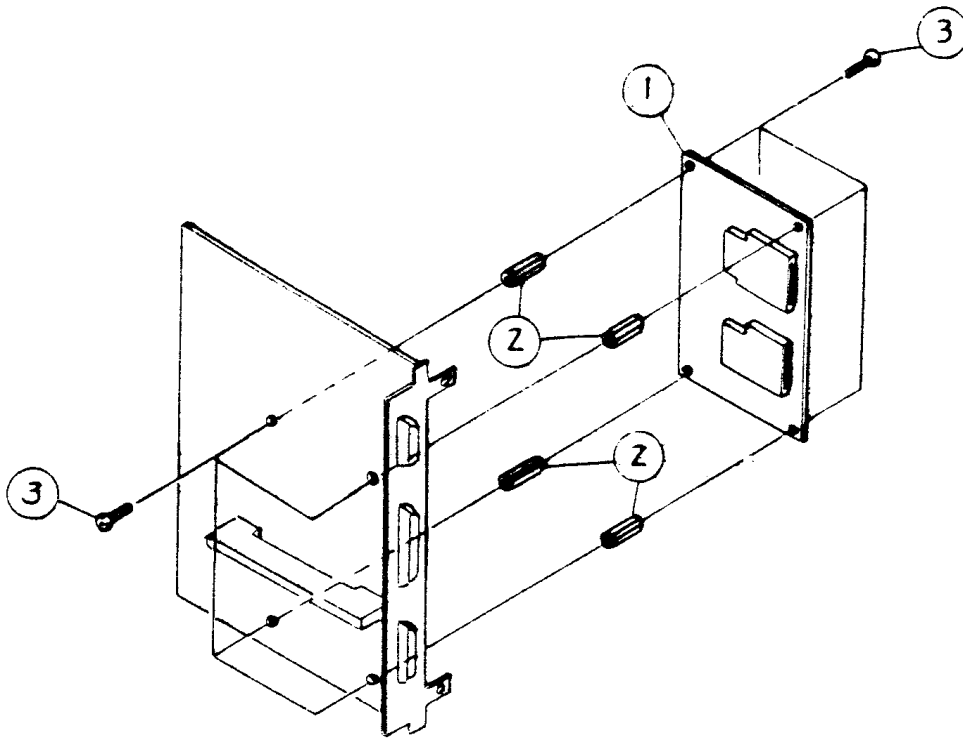
M8485S

| CHECK PCB ASSEMBLY | | | |
|--------------------|-------------|-----------------|-----|
| ITEM # | PART NUMBER | DESCRIPTION | QTY |
| 1 | RJ4730600 | Check PCB | 1 |
| 2 | RH4730000 | Check cable set | 1 |
| 3 | PA3736600 | PAC bracket | 1 |
| 4 | PT9681600 | Spacer | 2 |
| 5 | NA0030022 | Plain washer | 2 |
| 6 | MT1300522 | Hex nut | 2 |
| 7 | MD4300822 | Pan head screw | 6 |



M8485S

| MEMORY PCB ASSEMBLY (Option) | | | |
|------------------------------|-------------|----------------|-----|
| ITEM # | PART NUMBER | DESCRIPTION | QTY |
| 1 | RJ1723100 | Card PCB set | 1 |
| 2 | PT9730000 | Spacer | 4 |
| 3 | MD3300622 | Pan head screw | 8 |

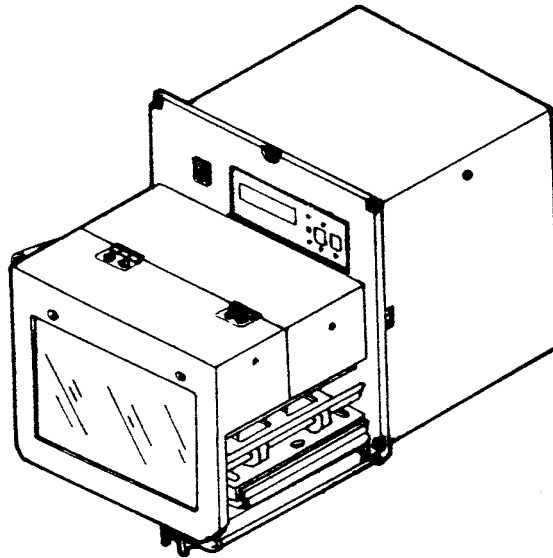




M8485S

Spare Parts List

(Use with printer serial numbers between 50100000 and 70699999)



**Sato America, Inc.
545 Weddell Drive
Sunnyvale, CA 94089
Phone (408) 745-1300
Fax (408) 745-1309**

P/N 9001033 REV. C

M8485S

| <u>Description</u> | <u>Page #</u> |
|---------------------------------|----------------------|
| Frame Assembly | 32-37 |
| Thermal Head Assembly | 38-41 |
| Ribbon Assembly | 42-45 |
| Feed Roller Assembly | 46-49 |
| Pressure Roller Assembly | 50-50 |
| Cover Assembly | 51-53 |
| Main PCB Assembly | 54-54 |
| Power Supply Assembly | 55-55 |
| Memory PCB Assembly (Option) | 56-56 |

M8485S

| Frame Assembly | | | |
|-----------------------|--------------------|-------------------------|------------|
| Item # | Part Number | Description | QTY |
| 02 | PT2108006 | Dry metal | 1 |
| 03 | PB0540101 | Guide post | 1 |
| 04 | MC0401022 | Pan head screw | 1 |
| 05 | PR1730500 | Stay | 1 |
| 06 | MC0401222 | Pan head screw | 2 |
| 07 | PA3732500 | Spring bracket | 1 |
| 08 | MC0300622 | Pan head screw | 1 |
| 09 | PB0731500 | Shaft (support) | 2 |
| 10 | MC0401022 | Pan head screw | 2 |
| 11 | PR1730300 | Roller | 1 |
| 14 | MA0301022 | Pan head screw | 1 |
| 15 | MT1300522 | Hex nut | 1 |
| 16 | PE6720100 | Disc plate cover | 1 |
| 17 | MD4300622 | Pan head screw | 3 |
| 18 | PA3730200 | Sensor bracket (ribbon) | 1 |
| 19 | MC0301022 | Pan head screw | 1 |
| 20 | RH1730400 | SEN 4 cable | 1 |
| 21 | MA0300622 | Pan head screw | 2 |
| 22 | PR4740100 | Spring (tension) | 1 |
| 23 | MD4300622 | Pan head screw | 2 |
| 26 | RH1731300 | PSW CN cable | 1 |
| 27 | GA300161A | Pow switch | 1 |
| 28 | MD3300822 | Pan head screw | 1 |
| 29 | PA3732000 | Dispense bar bracket | 1 |
| 30 | PB5730200 | Collar | 1 |
| 31 | MD3300822 | Pan head screw | 1 |
| 32 | PL1730201 | Platen frame | 1 |
| 35 | PR0730100 | Platen roller | 2 |
| 36 | PT1112060 | Ball supporter | 2 |
| 37 | PB2730100 | Collar | 2 |
| 38 | MJ1300424 | W-point screw | 2 |
| 39 | PT1109050 | Ball supporter | 2 |
| 42 | PB0730500 | Post (latch) | 1 |
| 43 | PA3730700 | Pressure roller bracket | 11 |
| 44 | MJ9300622 | Thin head screw | 2 |
| 45 | PA3730800 | Latch handle | 1 |
| 46 | PB0730700 | Shaft (latch) | 1 |

M8485S

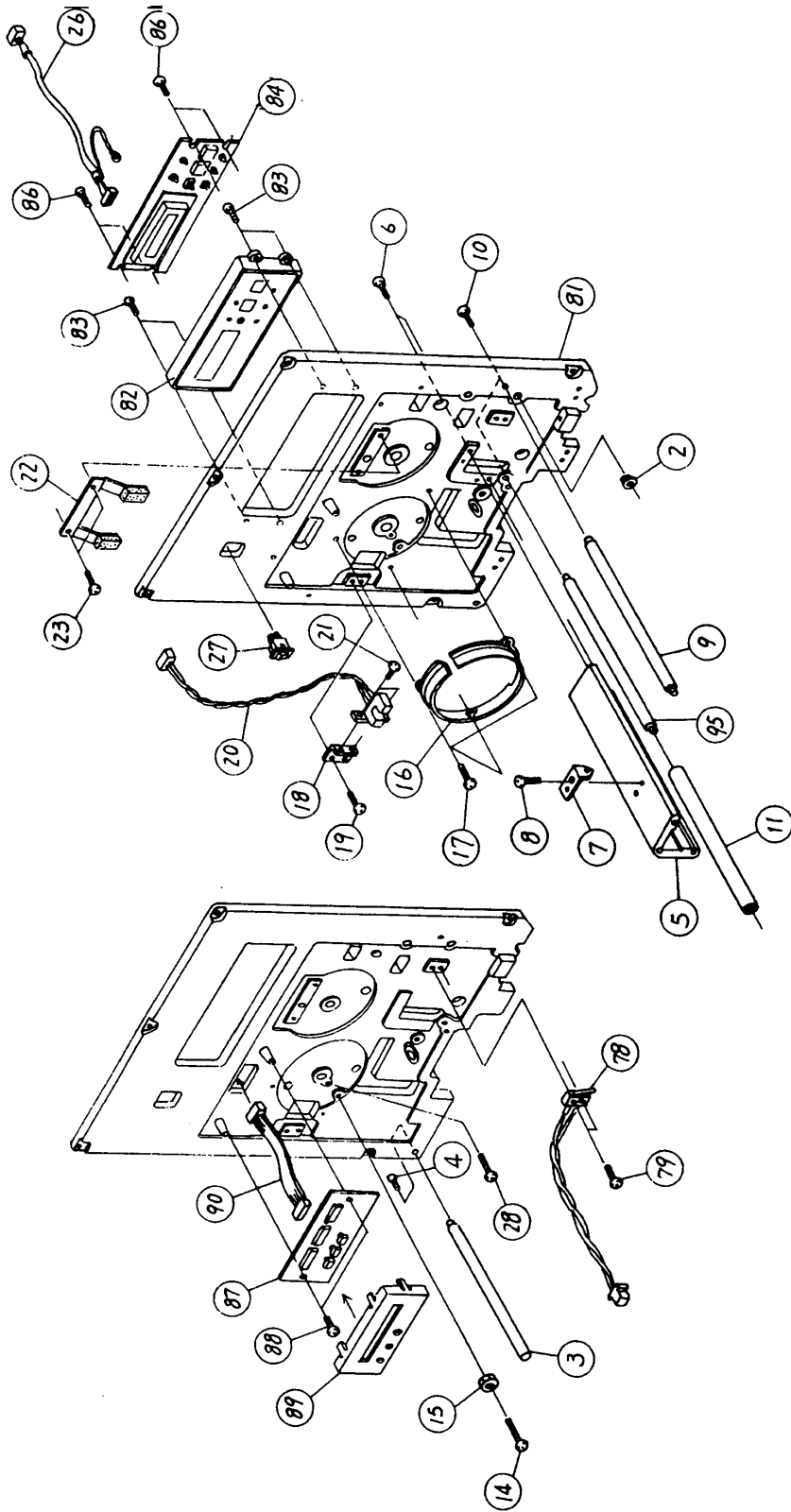
| Frame Assembly | | | |
|-----------------------|--------------------|--------------------|------------|
| Item # | Part Number | Description | QTY |
| 47 | PC2730300 | Spring (latch) | 1 |
| 48 | ND0020030 | E-snap ring | 2 |
| 49 | PA3732800 | Adjust plate | 1 |
| 50 | MC0301022 | Pan head screw | 2 |
| 52 | PE8730200 | Pulley | 2 |
| 53 | ND0040030 | E-snap ring | 2 |
| 54 | PL1720100 | Motor pulley | 1 |
| 55 | MJ1400524 | W-point screw | 2 |
| 56 | PT8190064 | Timing belt | 1 |
| 57 | PA1730500 | Shaft bracket | 1 |
| 58 | MC0401022 | Pan head screw | 2 |
| 59 | PB0731701 | Shaft | 1 |
| 60 | PE8730100 | Gear | 1 |
| 61 | PE8730300 | Pulley | 1 |
| 62 | PT1112060 | Ball supporter | 2 |
| 63 | PT8150064 | Timing belt | 1 |
| 65 | PB0731600 | Shaft (roller) | 1 |
| 66 | PR1730600 | Tension roller | 1 |
| 67 | ND0040030 | E-snap ring | 1 |
| 68 | MD4402022 | Pan head screw | 2 |
| 69 | PA1730700 | Tension bracket | 1 |
| 70 | MD4300822 | Pan head screw | 2 |
| 71 | PB0730600 | Post (tension) | 1 |
| 72 | MD4400822 | Pan head screw | 1 |
| 73 | PR1730600 | Tension roller | 1 |
| 74 | ND0040030 | E-snap ring | 1 |
| 75 | RH1730600 | STP cable | 1 |
| 77 | MC0401222 | Pan head screw | 2 |
| 78 | RH1731100 | SEN 5 cable | 1 |
| 79 | MD3201221 | Pan head screw | 2 |
| 81 | PL1730502 | Engine frame | 1 |
| 82 | PR4730501 | Key board cover | 1 |
| 83 | MD4301222 | Pan head screw | 4 |
| 84 | RJ2730200 | Key board PCB set | 1 |
| 86 | MH0300821 | P-tight screw | 4 |
| 87 | RJ2730100 | DSW PCB set | 1 |
| 88 | MD3300822 | Pan head screw | 2 |

M8485S

| Frame Assembly | | | |
|-----------------------|--------------------|-----------------------|------------|
| Item # | Part Number | Description | QTY |
| 89 | PH0730200 | DSW cover | 1 |
| 90 | RH1731600 | DSW cable set | 1 |
| 91 | MN0402524 | Hex bolt | 2 |
| 92 | MN0402024 | Hex bolt | 1 |
| 93 | MN0401024 | Hex bolt | 1 |
| 95 | PB0732800 | Shaft (ribbon adjust) | 1 |
| 96 | PA3734800 | Pulley bracket | 1 |
| 97 | PA2730700 | Plate nut | 1 |
| 98 | ND0040030 | E-snap ring | 1 |
| 99 | PA1730201 | Clamp | 1 |
| 100 | MN0300824 | Hex bolt | 1 |
| 101 | PA3735000 | Hold plate | 1 |
| 102 | PD1731100 | Dispense bar | 1 |

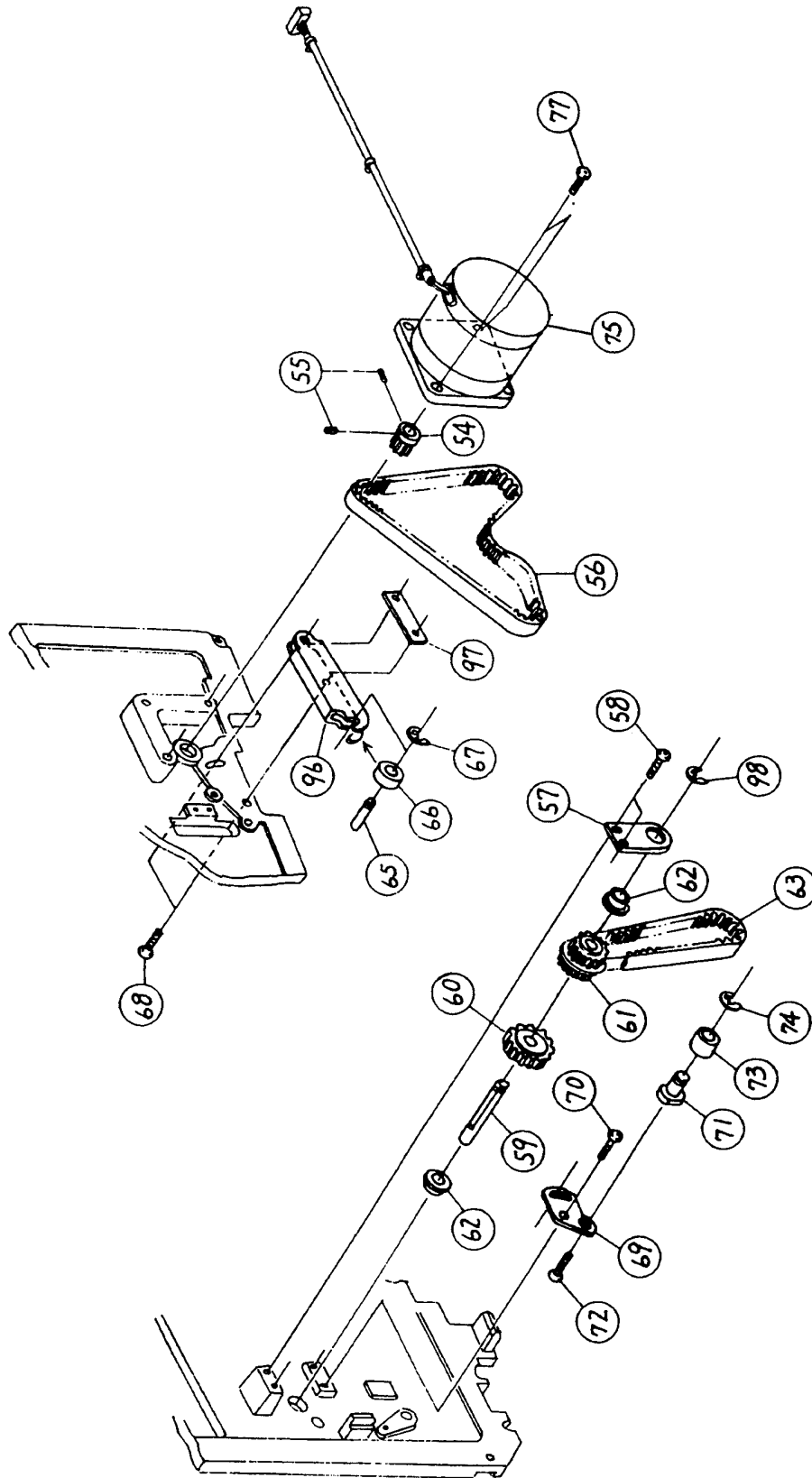
M8485S

FRAME ASSEMBLY



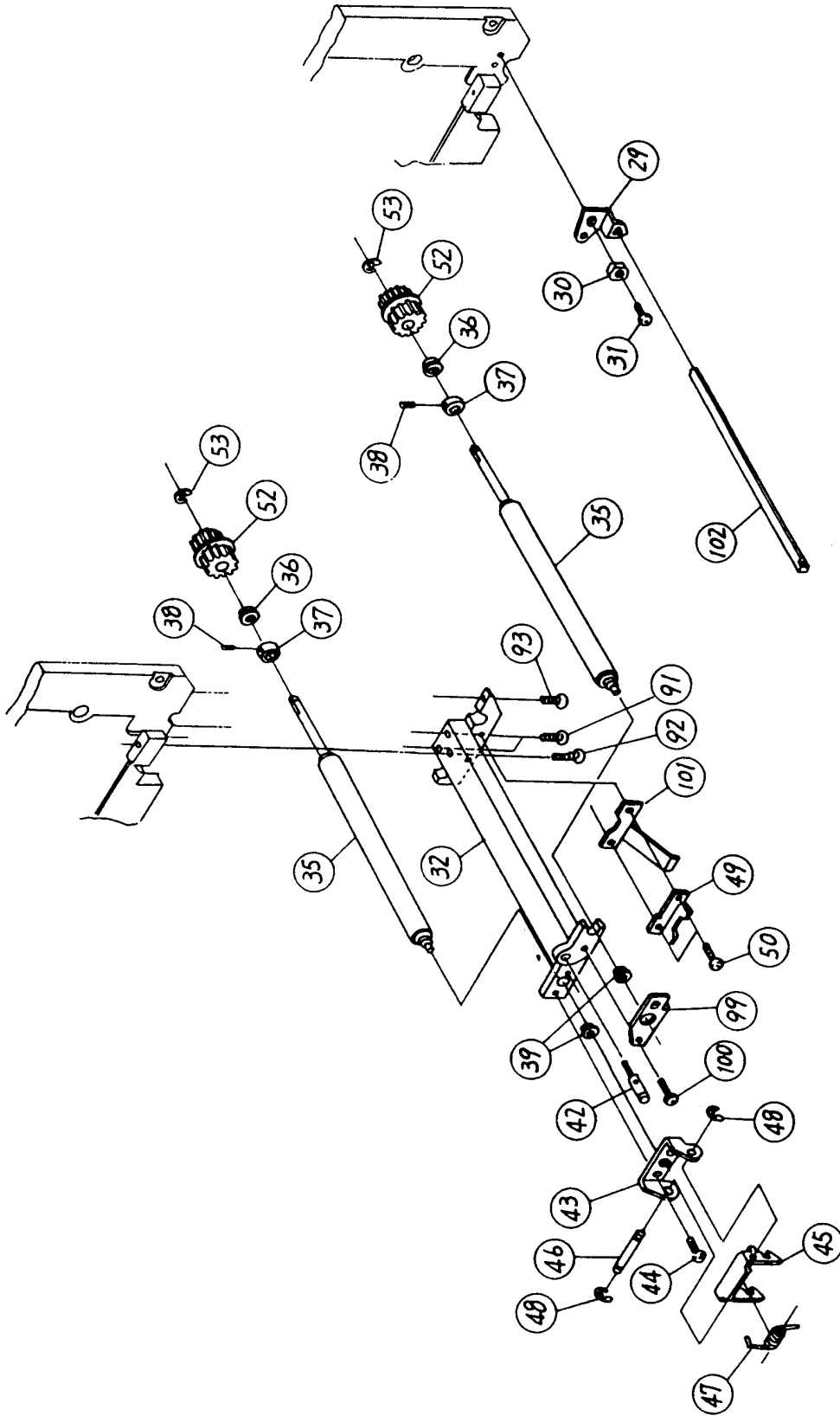
M8485S

FRAME ASSEMBLY



M8485S

FRAME ASSEMBLY



M8485S

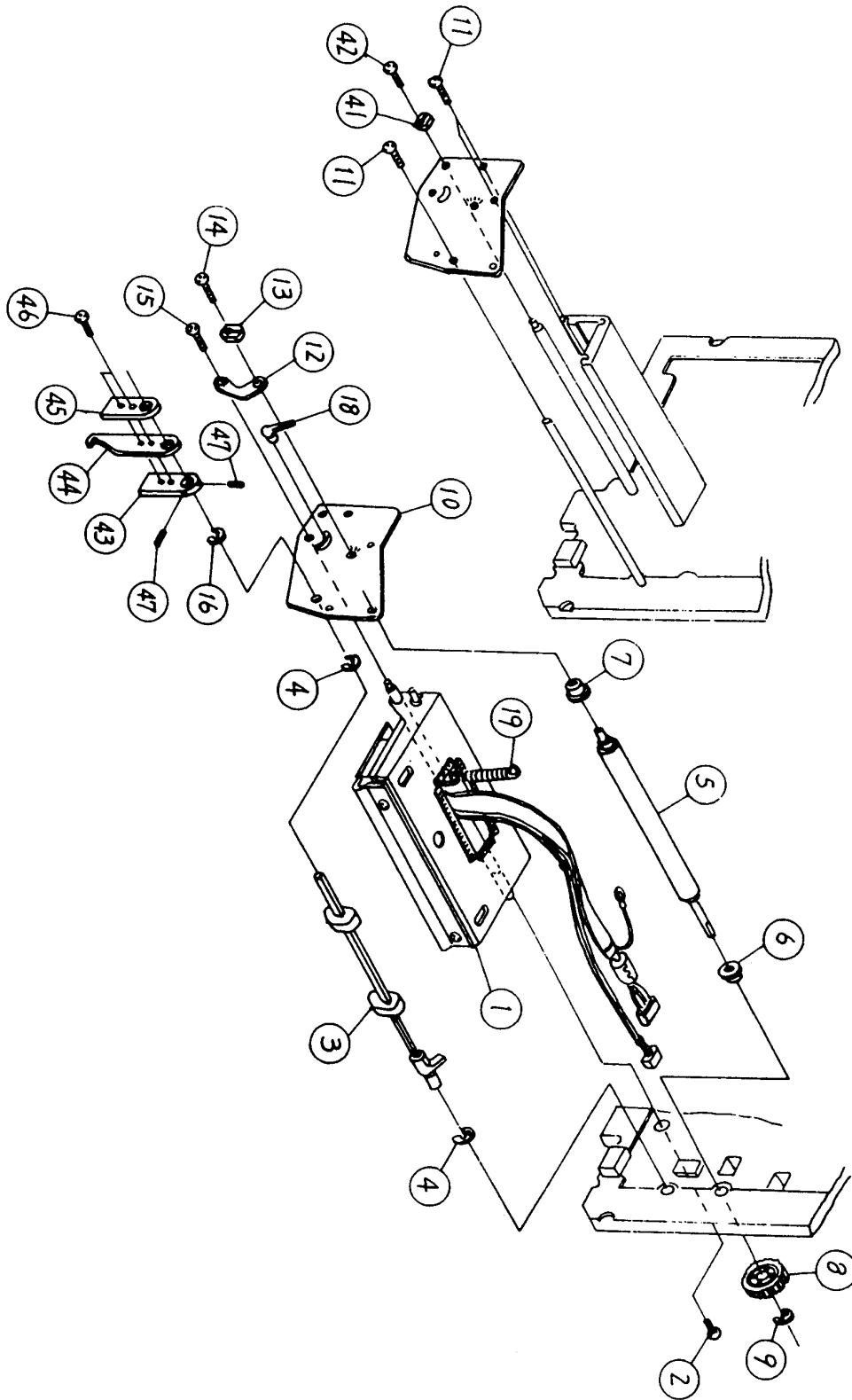
| Thermal Head Assembly | | | |
|------------------------------|--------------------|-------------------------|------------|
| Item # | Part Number | Description | QTY |
| 01 | RC0730200 | Print head sub assembly | 1 |
| 02 | MC0401022 | Pan head screw | 1 |
| 03 | PR1732100 | Pressure cam | 1 |
| 04 | ND0060030 | E-snap ring | 2 |
| 05 | PR0730200 | Feed roller | 1 |
| 06 | PT1112060 | Ball supporter | 1 |
| 07 | PT1109050 | Ball supporter | 1 |
| 08 | PE8730100 | Gear | 1 |
| 09 | ND0040030 | E-snap ring | 1 |
| 10 | PA2730200 | Head frame | 1 |
| 11 | MC0401022 | Pan head screw | 4 |
| 12 | PA1730300 | Adjust plate | 1 |
| 13 | PL2720100 | Adjust collar | 1 |
| 14 | MD4300822 | Pan head screw | 1 |
| 15 | MC0401022 | Pan head screw | 1 |
| 16 | ND0070030 | E-snap ring | 1 |
| 18 | PE1730400 | Handle (B) | 1 |
| 19 | PC0730200 | Spring | 1 |
| 22 | PB0731100 | Shaft | 1 |
| 23 | ND0070030 | E-snap ring | 2 |
| 24 | PA3732300 | Head bracket | 1 |
| 25 | PV9730200 | Bushing | 1 |
| 26 | PA3732400 | Head bracket (low) | 1 |
| 27 | PB0731400 | Adjust shaft | 1 |
| 28 | ND0050030 | E-snap ring | 2 |
| 29 | PE1730300 | Adjust cam | 2 |
| 30 | PA4730401 | Plate spring | 1 |
| 31 | PR1730200 | Adjust plate | 1 |
| 32 | MD4300622 | Pan head screw | 2 |
| 33 | PC1730200 | Spring (head) | 2 |
| 34 | GH000441A | Thermal print head | 1 |
| 35 | MD4301022 | Pan head screw | 1 |
| 36 | PA3732100 | Ribbon plate | 1 |
| 37 | MD3250522 | Pan head screw | 2 |
| 38 | RH1731201 | HDS cable | 1 |
| 39 | RH1730300 | HDP cable | 1 |
| 41 | PL2730100 | Adjust collar | 1 |

M8485S

| Thermal Head Assembly | | | |
|------------------------------|--------------------|--------------------|------------|
| Item # | Part Number | Description | QTY |
| 42 | MD4401022 | Pan head screw | 1 |
| 43 | PD1730600 | Handle (A) | 1 |
| 44 | PA2730600 | Latch handle | 1 |
| 45 | PD1731200 | Handle (B) | 1 |
| 46 | MD4301022 | Pan head screw | 2 |
| 47 | MJ1300424 | W-point screw | 2 |

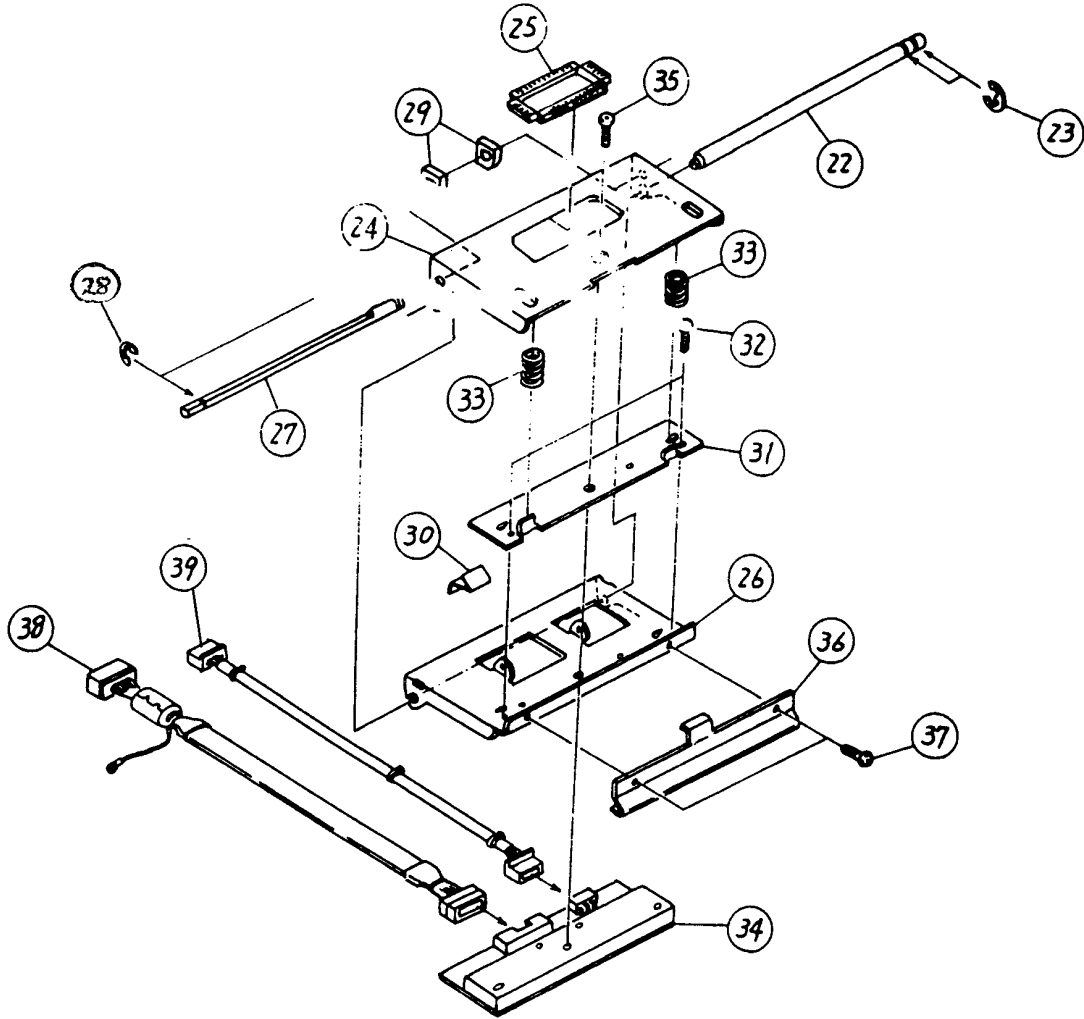
M8485S

THERMAL HEAD ASSEMBLY



M8485S

THERMAL HEAD ASSEMBLY

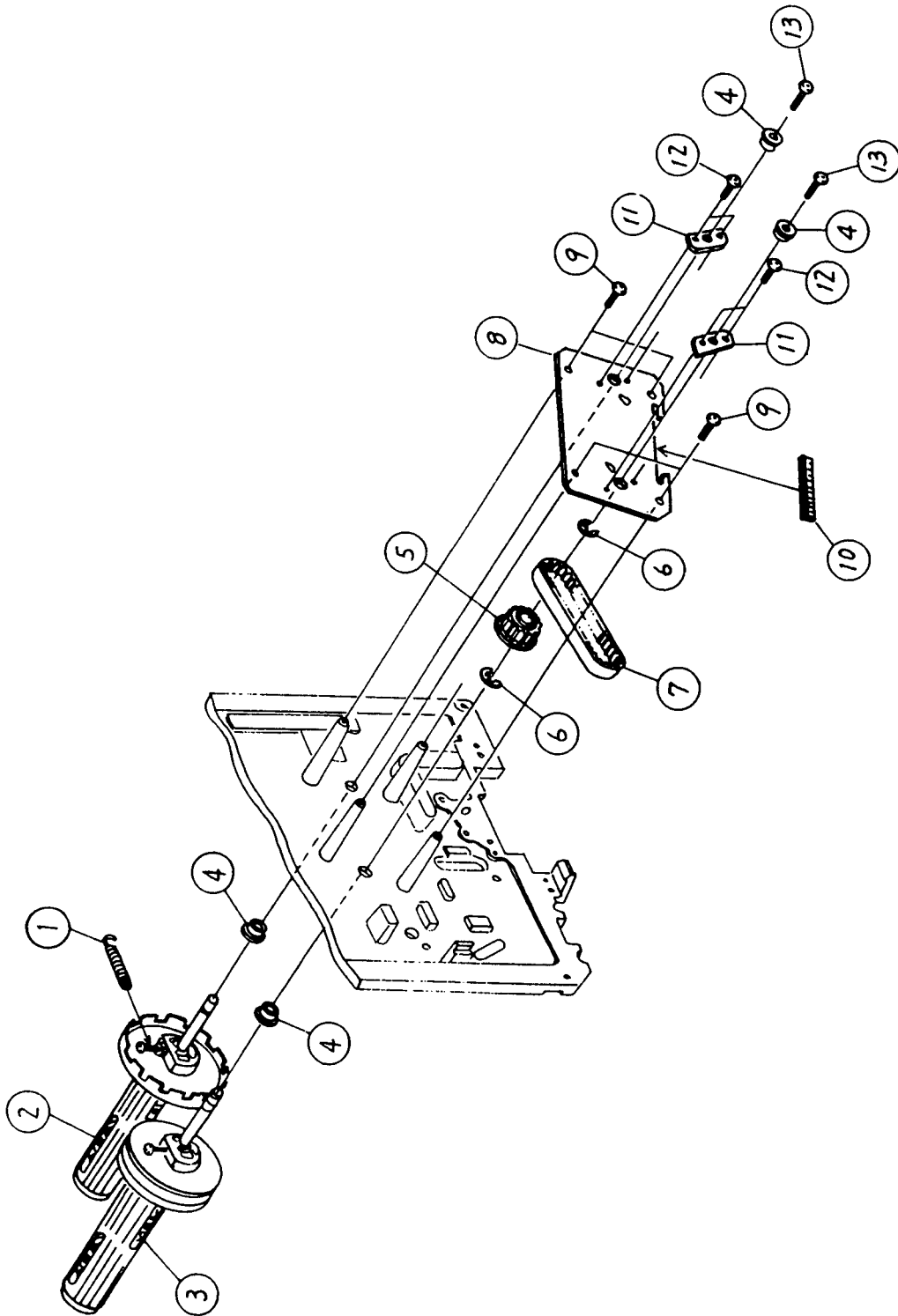


M8485S

| Ribbon Assembly | | | |
|------------------------|--------------------|---------------------|------------|
| Item # | Part Number | Description | QTY |
| 01 | PC0730100 | Spring | 1 |
| 02 | RC2730200 | Ribbon sub (unwind) | 1 |
| 03 | RC2730300 | Ribbon sub (rewind) | 1 |
| 04 | PT1112080 | Ball supporter | 4 |
| 05 | PR1730800 | Pulley | 1 |
| 06 | ND0060030 | E-snap ring | 2 |
| 07 | PT8085064 | Timing belt | 1 |
| 08 | PA1730600 | Ribbon frame | 1 |
| 09 | MC0401022 | Pan head screw | 4 |
| 10 | PV9730101 | Brush | 1 |
| 11 | PA1731000 | Adjust plate | 2 |
| 12 | MD4300622 | Pan head screw | 4 |
| 13 | MD4400822 | Pan head screw | 2 |
| 14 | PA0730200 | Hold Plate | 1 |
| 16 | PB0731201 | Shaft (ribbon) | 2 |
| 17 | PE4720200 | Plate holder boss | 2 |
| 18 | MT1300522 | Hex nut | 1 |
| 19 | MA0302522 | Pan head screw | 1 |
| 20 | PA0730100 | Guide plate | 2 |
| 21 | MH1250621 | P-tight screw | 4 |
| 22 | PA0680300 | Lining | 2 |
| 23 | PE7720100 | Disc plate (A) | 1 |
| 24 | PR1730900 | Ribbon boss | 2 |
| 25 | PA4690900 | Spring | 8 |
| 26 | MH1300521 | P-tight screw | 8 |
| 27 | PT2301020 | Bushing | 2 |
| 28 | PA0680400 | Disc | 2 |
| 29 | PC1730100 | Spring | 2 |
| 30 | PE2730100 | Stopper collar | 2 |
| 31 | PB5730100 | Adjust screw | 2 |
| 32 | MA0302522 | Pan head screw | 2 |
| 33 | MA0301821 | Pan head screw | 1 |
| 34 | PE1681100 | Guide plate (B) | 2 |

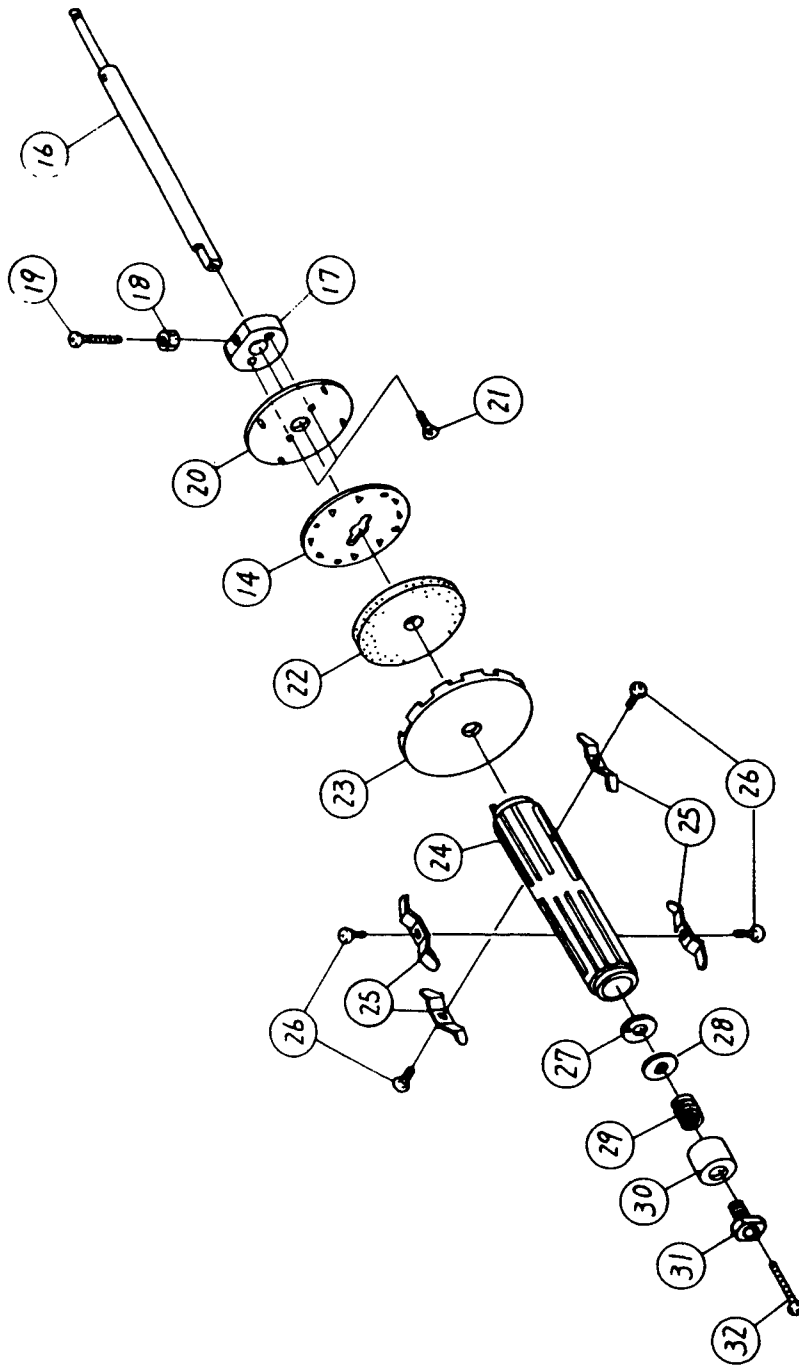
M8485S

RIBBON ASSEMBLY



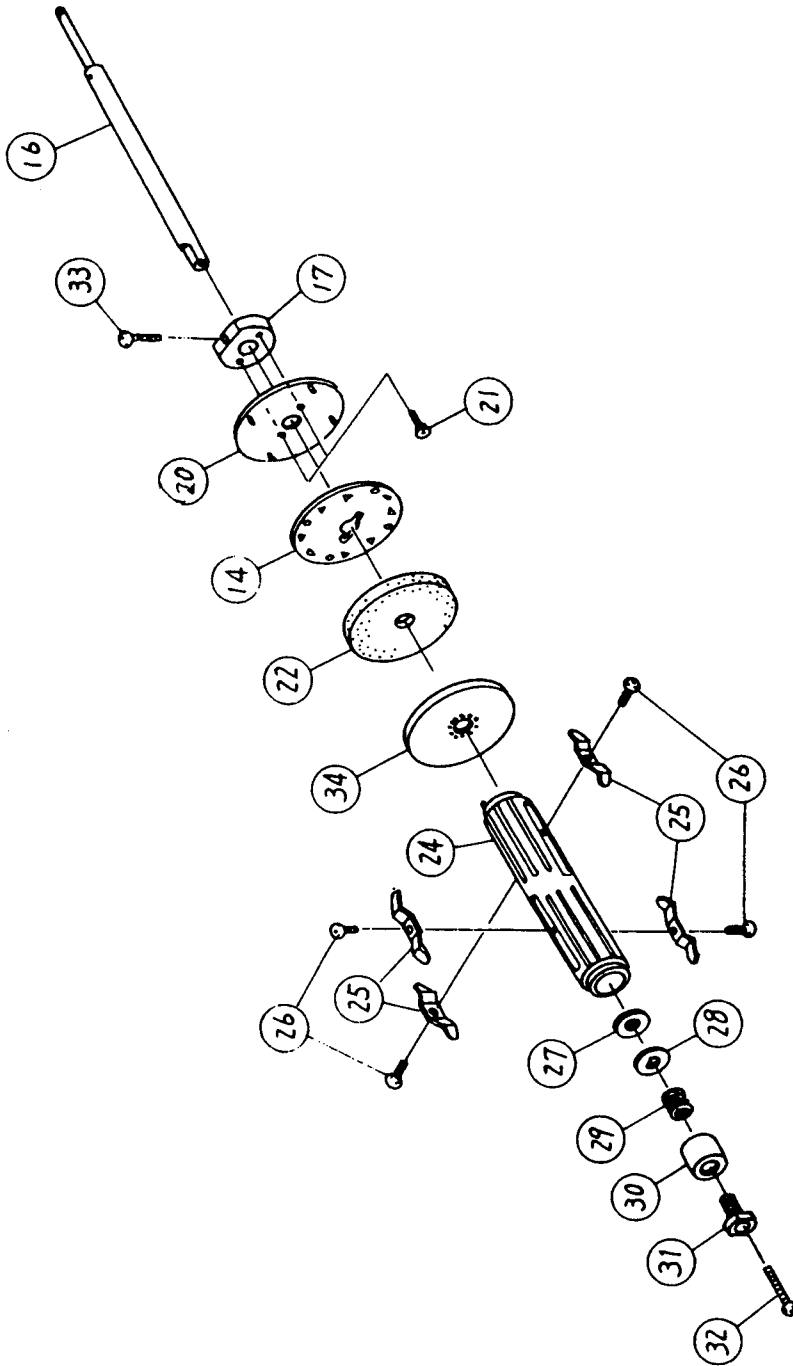
M8485S

RIBBON ASSEMBLY



RIBBON ASSEMBLY

M8485S



| Feed Roller Assembly | | | |
|----------------------|-------------|-------------|-----|
| Item # | Part Number | Description | QTY |

M8485S

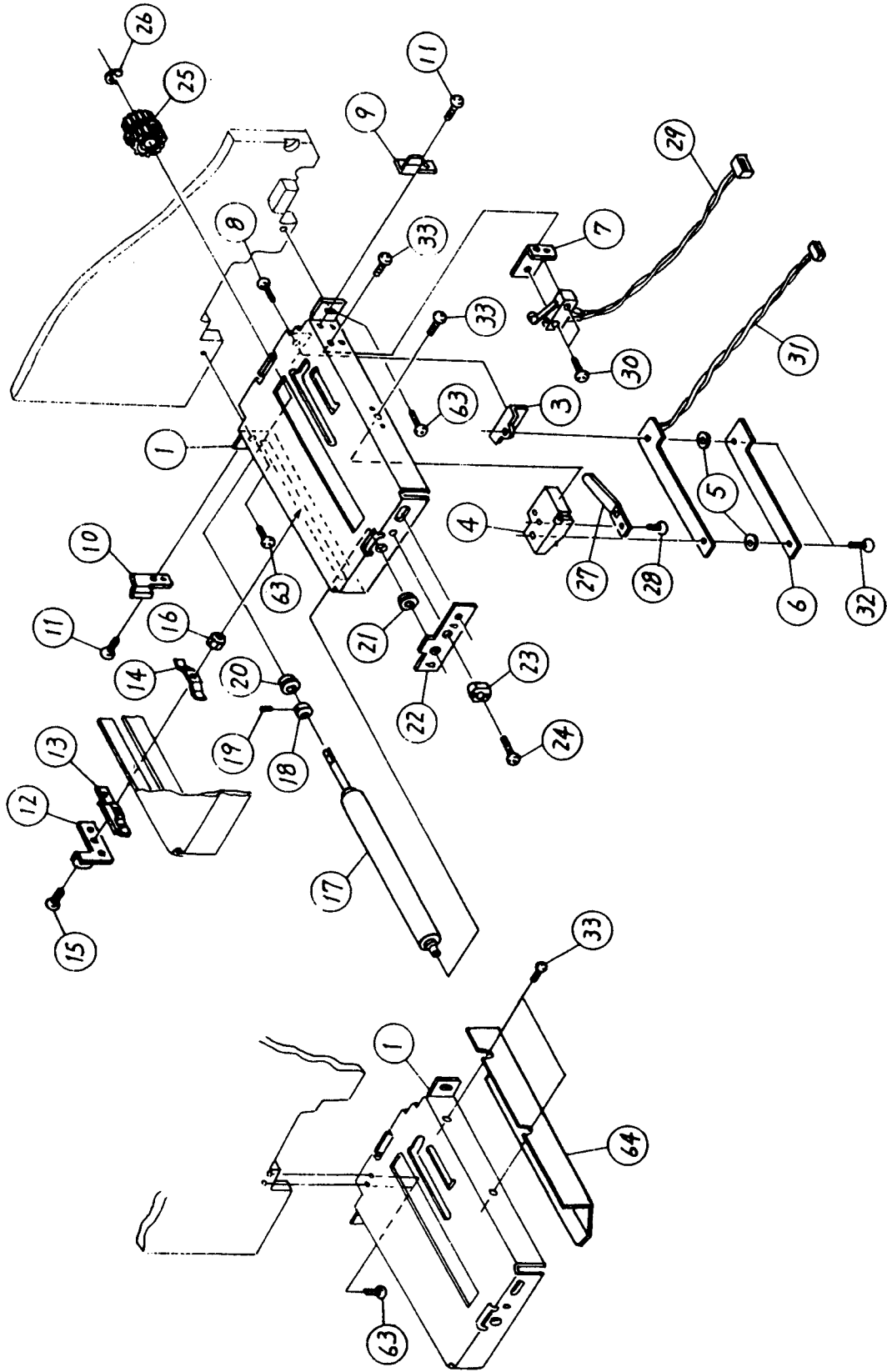
| 01 | PR4730100 | Paper guide bracket | 1 |
|-----------------------------|-------------|---------------------|-----|
| 03 | PA3730500 | PCB bracket (C) | 1 |
| 04 | PA3730600 | PCB bracket (D) | 1 |
| 05 | PT9680500 | Spacer | 2 |
| 06 | PA1730800 | PCB protector | 1 |
| 07 | PA3732700 | Microswitch bracket | 1 |
| 08 | MC0300622 | Pan head screw | 1 |
| 09 | PA3731400 | Paper guide (R) | 1 |
| 10 | PA3731501 | Paper guide (L) | 1 |
| 11 | MJ9300622 | Screw | 2 |
| 12 | PA3731600 | Slide guide | 1 |
| 13 | PE1730200 | Slider | 1 |
| 14 | PA4730100 | Slide spring | 1 |
| 15 | MA0301022 | Pan head screw | 1 |
| 16 | MT1300522 | Hex nut | 1 |
| 17 | PR0730100 | Platen roller | 1 |
| 18 | PB2730100 | Collar | 1 |
| 19 | MJ1300424 | W-point screw | 1 |
| 20 | PT1112060 | Ball supporter | 1 |
| 21 | PT1109050 | Ball supporter | 1 |
| 22 | PA1730100 | Supporter clamp (B) | 1 |
| 23 | PL2720100 | Adjust collar | 1 |
| 24 | MD4300822 | Pan head screw | 1 |
| 25 | PE8730200 | Pulley | 1 |
| 26 | ND0040030 | E-snap ring | 1 |
| 27 | PA4730200 | Lift spring | 1 |
| 28 | MD4300622 | Pan head screw | 1 |
| 29 | RH1731500 | SEN 7 cable | 1 |
| 30 | MA0200821 | Pan head screw | 2 |
| 31 | RH1730900 | SEN 1 cable | 1 |
| 32 | MD4300822 | Pan head screw | 2 |
| 33 | MD4300622 | Pan head screw | 2 |
| 36 | PA3731100 | Paper lid | 1 |
| 38 | PB0731000 | Shaft (lid) | 1 |
| 39 | PC2730200 | Spring | 1 |
| 40 | ND0020030 | E-snap ring | 1 |
| Feed Roller Assembly | | | |
| Item # | Part Number | Description | QTY |

M8485S

| | | | |
|----|-----------|-------------------|---|
| 41 | PA3731700 | Latch handle | 1 |
| 42 | PB0730900 | Shaft latch | 1 |
| 43 | PC2730100 | Spring (latch) | 1 |
| 44 | ND0020030 | E-snap ring | 1 |
| 45 | PA3731200 | Sensor bracket | 1 |
| 46 | MJ9300622 | Thin head screw | 2 |
| 47 | RH1731000 | SEN 2 cable | 1 |
| 48 | MD4300622 | Pan head screw | 2 |
| 53 | PA3731000 | Paper lid | 1 |
| 54 | MA0301022 | Pan head screw | 2 |
| 55 | MT1300522 | Hex nut | 2 |
| 56 | PE2730300 | Stopper collar | 2 |
| 57 | PC1730300 | Spring (pressure) | 2 |
| 58 | PA3731300 | Roller bracket | 1 |
| 59 | MC0300622 | Pan head screw | 2 |
| 60 | PB0730800 | Shaft | 1 |
| 61 | PE3720200 | Roller | 4 |
| 62 | MA0300422 | Pan head screw | 2 |
| 63 | MN0300824 | Hex bolt | 4 |
| 64 | PA3734600 | Paper guide | 1 |
| 65 | PA3734700 | Lid bracket | 1 |
| 66 | MN0300624 | Hex bolt | 2 |

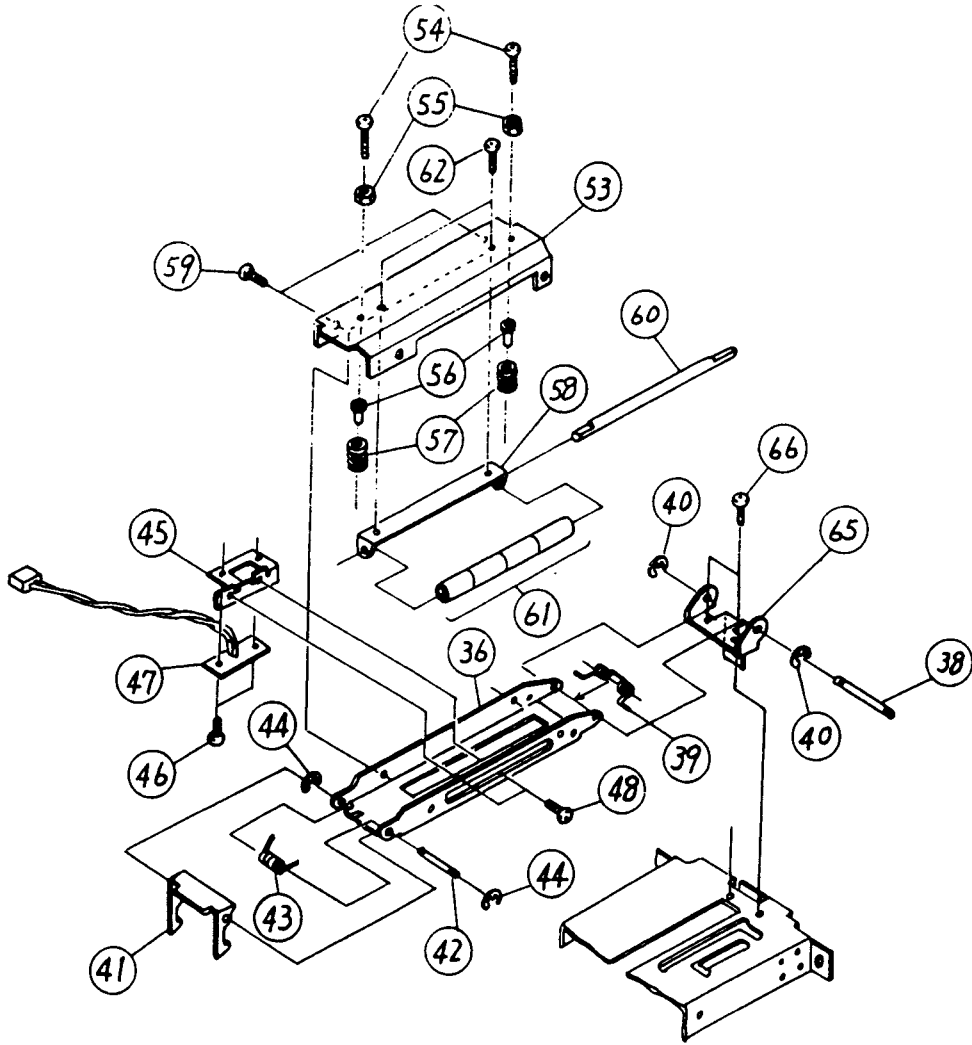
FEED ROLLER ASSEMBLY

M8485S



FEED ROLLER ASSEMBLY

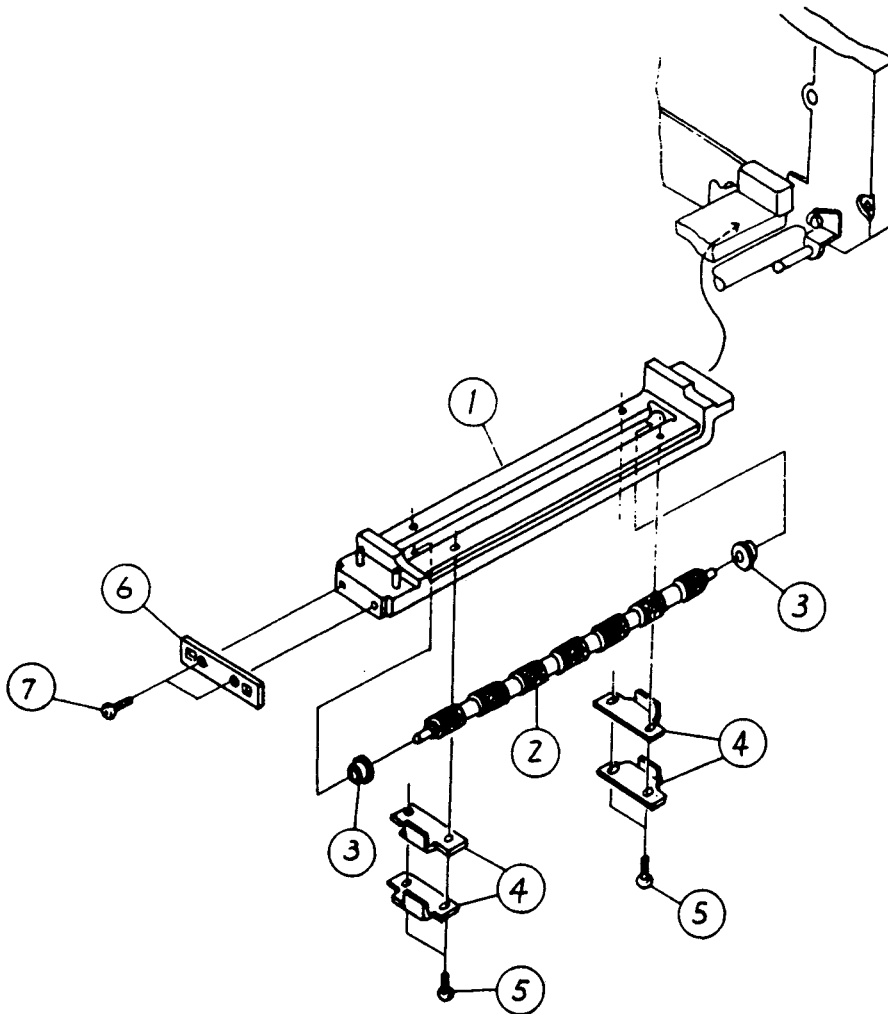
M8485S



Pressure Roller Assembly

M8485S

| Item # | Part Number | Description | QTY | | | | | | | | | | | | |
|--------|-------------|--------------------------|---|----|-----------|-----------------|---|----|-----------|---------------|---|----|-----------|----------------|---|
| 01 | PR1730102 | Roller holder (pressure) | 1 | | | | | | | | | | | | |
| 02 | PB0731801 | Pressure roller | 1 | | | | | | | | | | | | |
| 03 | PT1108040 | Ball supporter | 2 | | | | | | | | | | | | |
| 04 | PA4730300 | Plate spring | 4 <tr><td>05</td><td>MJ9300622</td><td>Thin head screw</td><td>4</td></tr> <tr><td>06</td><td>PA1730400</td><td>Stopper plate</td><td>1</td></tr> <tr><td>07</td><td>MC0300622</td><td>Pan head screw</td><td>2</td></tr> | 05 | MJ9300622 | Thin head screw | 4 | 06 | PA1730400 | Stopper plate | 1 | 07 | MC0300622 | Pan head screw | 2 |
| 05 | MJ9300622 | Thin head screw | 4 | | | | | | | | | | | | |
| 06 | PA1730400 | Stopper plate | 1 | | | | | | | | | | | | |
| 07 | MC0300622 | Pan head screw | 2 | | | | | | | | | | | | |



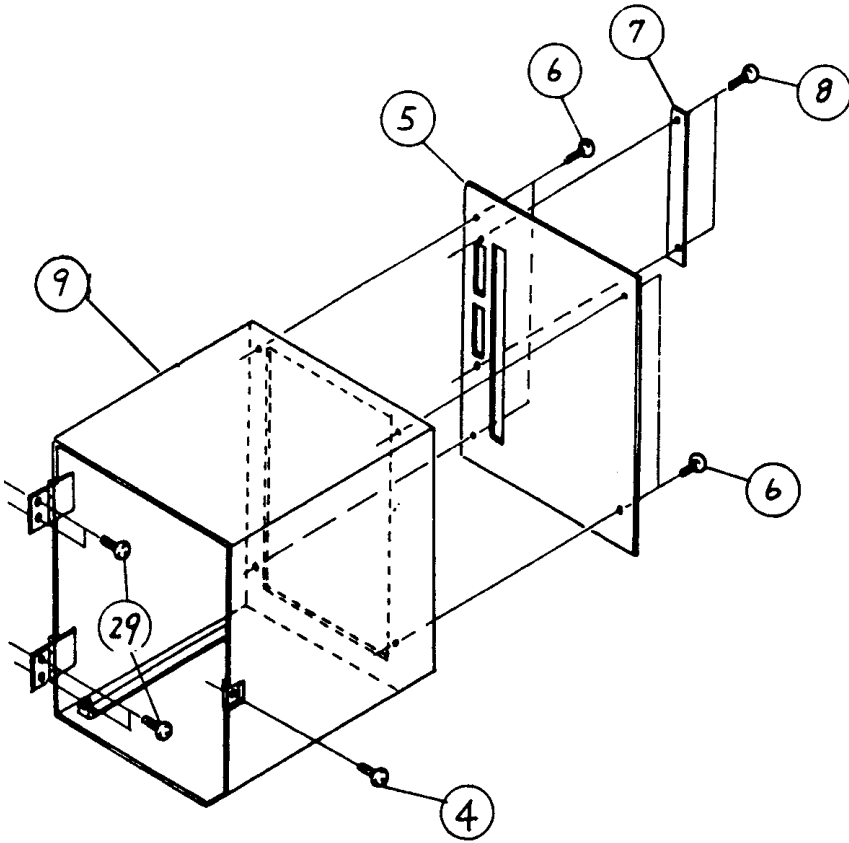
Cover Assembly

M8485S

| Item # | Part Number | Description | QTY |
|--------|-------------|-------------------|-----|
| 04 | MC0401022 | Pan head screw | 1 |
| 05 | PH1730300 | Close cover (B) | 1 |
| 06 | MC0300622 | Pan head screw | 4 |
| 07 | PA1730900 | Sub cover | 1 |
| 08 | MC0300622 | Pan head screw | 2 |
| 10 | PH1731701 | Close cover | 1 |
| 11 | PR1731000 | Cover bracket | 1 |
| 12 | MC0301022 | Pan head screw | 3 |
| 13 | PH1730601 | Open cover (A) | 1 |
| 14 | MA7300625 | Truss screw | 4 |
| 15 | PH2730100 | Open cover (B) | 1 |
| 16 | PH1730700 | Set plate | 1 |
| 17 | MA7300625 | Truss screw | 2 |
| 18 | PE6730300 | SP case (A) | 1 |
| 19 | PE6730400 | SP case (B) | 1 |
| 20 | PC0090300 | Spring | 1 |
| 21 | PB0013700 | Spring shaft | 2 |
| 22 | MT3020621 | Hex nut | 4 |
| 23 | NA1060022 | Plain washer | 2 |
| 24 | NB0060022 | Spring washer | 2 |
| 25 | PR1340500 | Anti-static brush | 1 |
| 26 | MD4300622 | Pan head screw | 2 |
| 27 | RH1730800 | SEN 6 cable | 1 |
| 28 | MA0200821 | Pan head screw | 2 |
| 29 | MC0301022 | Pan head screw | 4 |

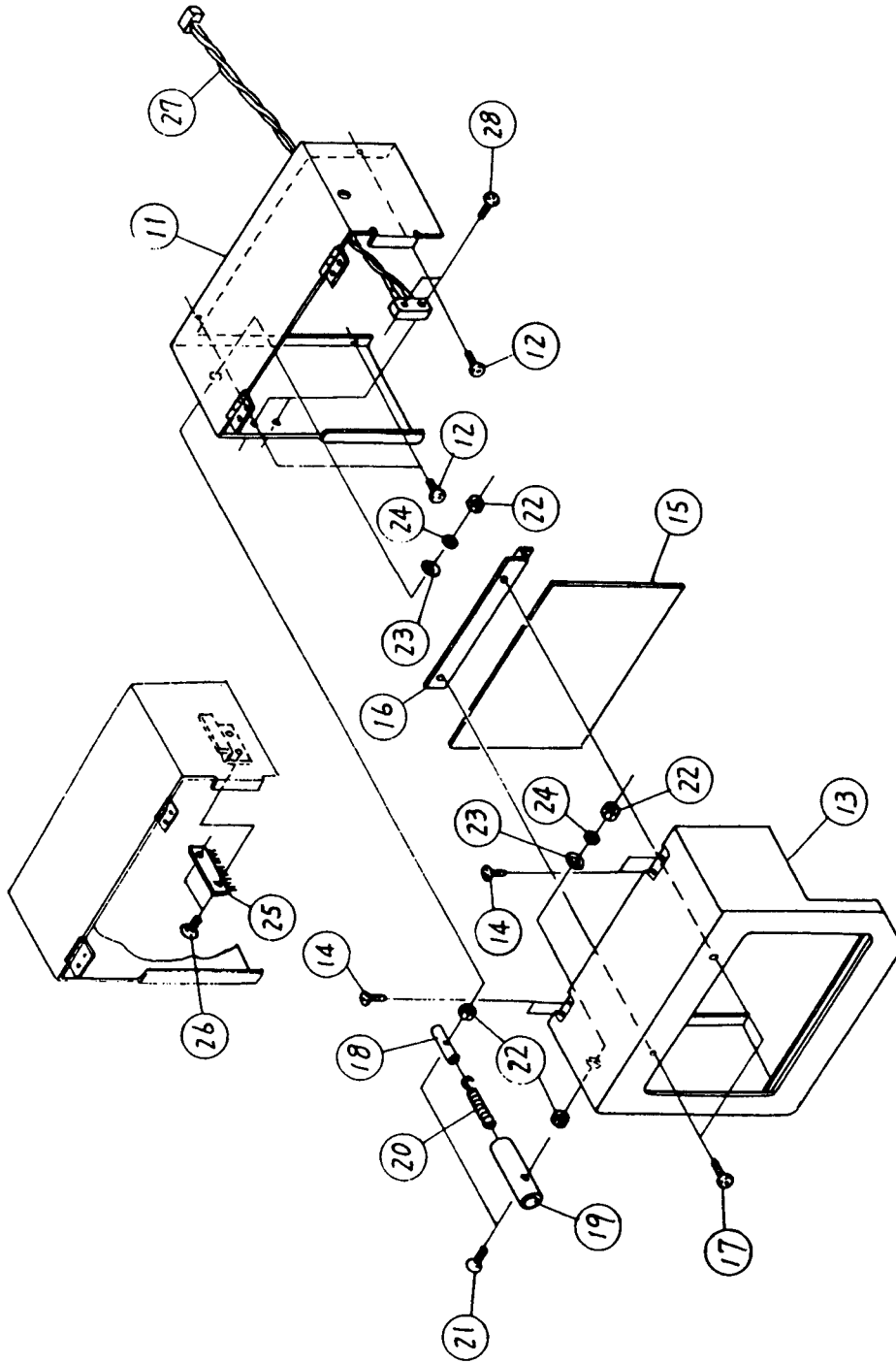
COVER ASSEMBLY

M8485S



COVER ASSEMBLY

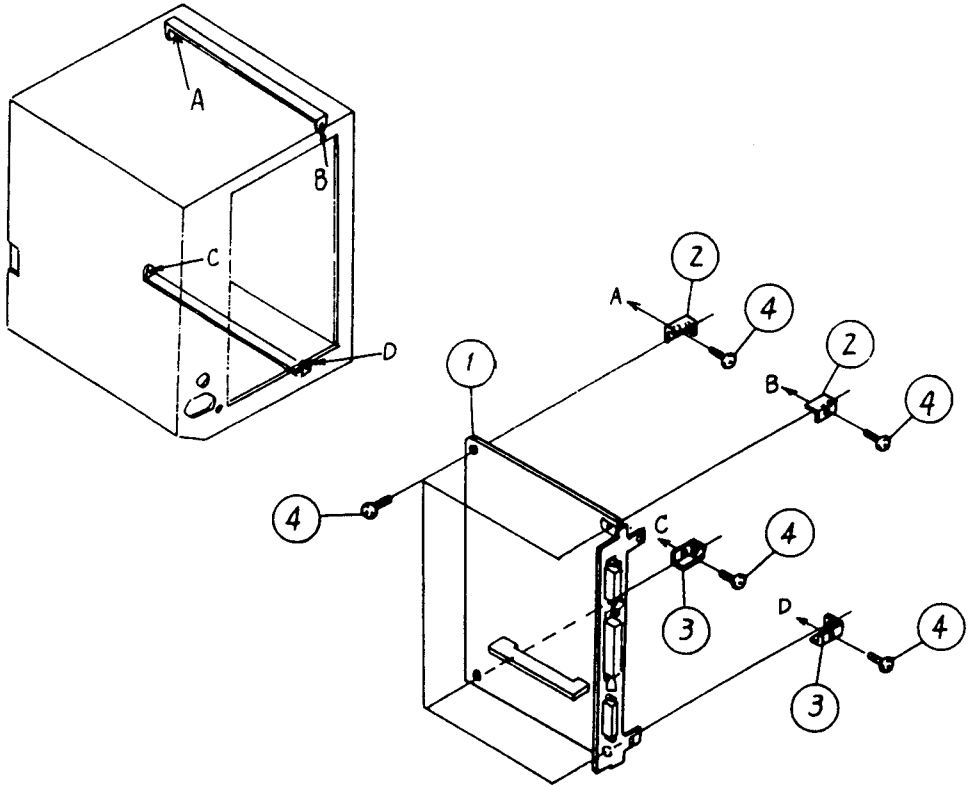
M8485S



| Main PCB Assembly | | | |
|-------------------|-------------|-------------|-----|
| Item # | Part Number | Description | QTY |

M8485S

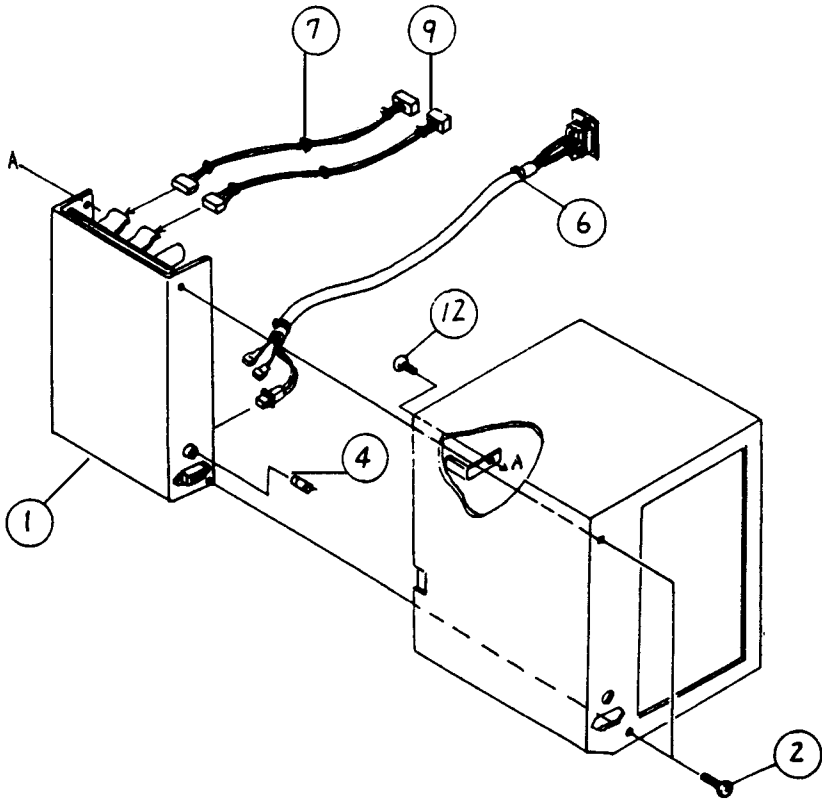
| | | | |
|----|-----------|-----------------|---|
| 01 | RJ1730300 | Main PCB assy | 1 |
| 02 | PA3730300 | PCB bracket (A) | 2 |
| 03 | PA3730400 | PCB bracket (B) | 2 |
| 04 | MD4300622 | Pan head screw | 8 |



| Power Supply Assembly | | | |
|-----------------------|-------------|-------------|-----|
| Item # | Part Number | Description | QTY |

M8485S

| | | | |
|----|-----------|------------------|---|
| 01 | PR7730100 | Power supply set | 1 |
| 02 | MC0301022 | Pan head screw | 2 |
| 04 | HD100301A | Fuse | 1 |
| 06 | RH1730500 | POW switch cable | 1 |
| 07 | RH1730100 | POW1 cable | 1 |
| 09 | RH1730200 | POW2 cable | 1 |
| 12 | MC0401022 | Pan head screw | 1 |



| Memory PCB Assembly (Option) | | | |
|------------------------------|-------------|-------------|-----|
| Item # | Part Number | Description | QTY |

M8485S

| | | | |
|----|-----------|----------------|---|
| 01 | RJ1723100 | Card PCB assy | 1 |
| 02 | PT9730000 | Spacer | 4 |
| 03 | MD3300622 | Pan head screw | 8 |

