



M-8485Se Printer Opposite Unit

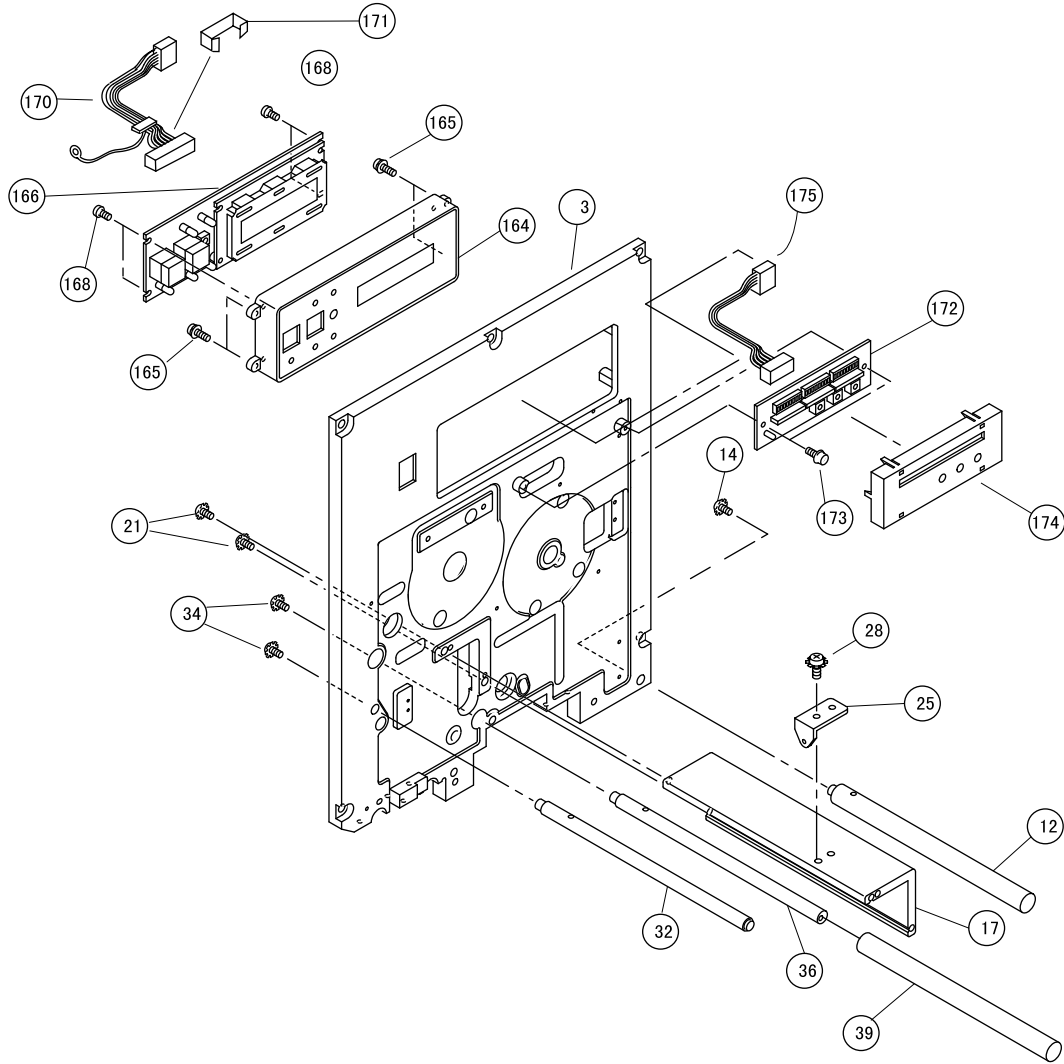


Parts List

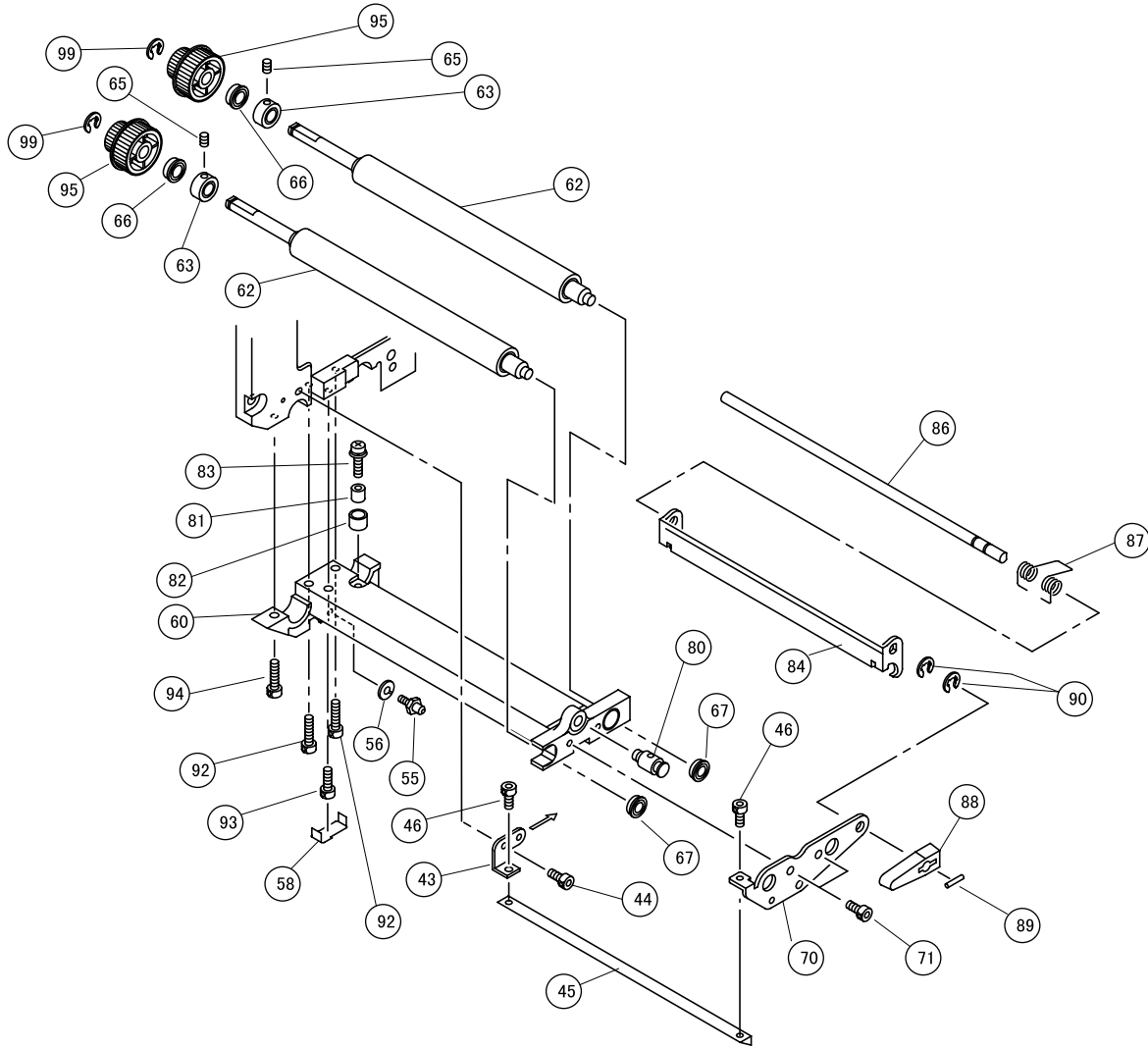
Table of Contents

M-8485Se	Page
Parts List	
Frame Assembly.....	3
Print Head Assembly	8
Ribbon Assembly	11
Feed Roller Assembly	13
Pressure Roller Assembly	16
Cover Assembly	17
Cont PCB Assembly.....	20
Check PCB Assembly	21
Interface (Option)	22
Memory (Option).....	23

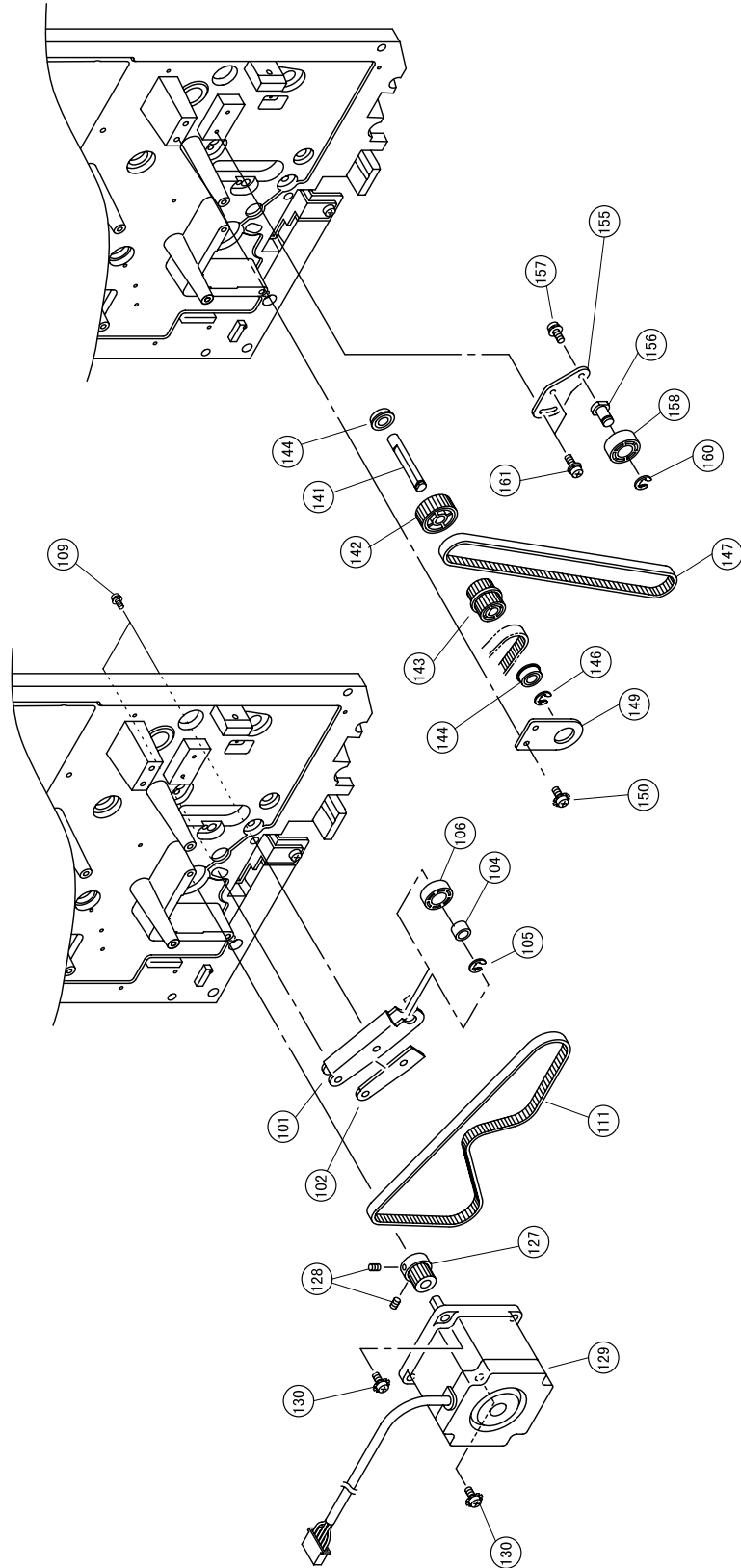
Frame Assembly



Frame Assembly



Frame Assembly



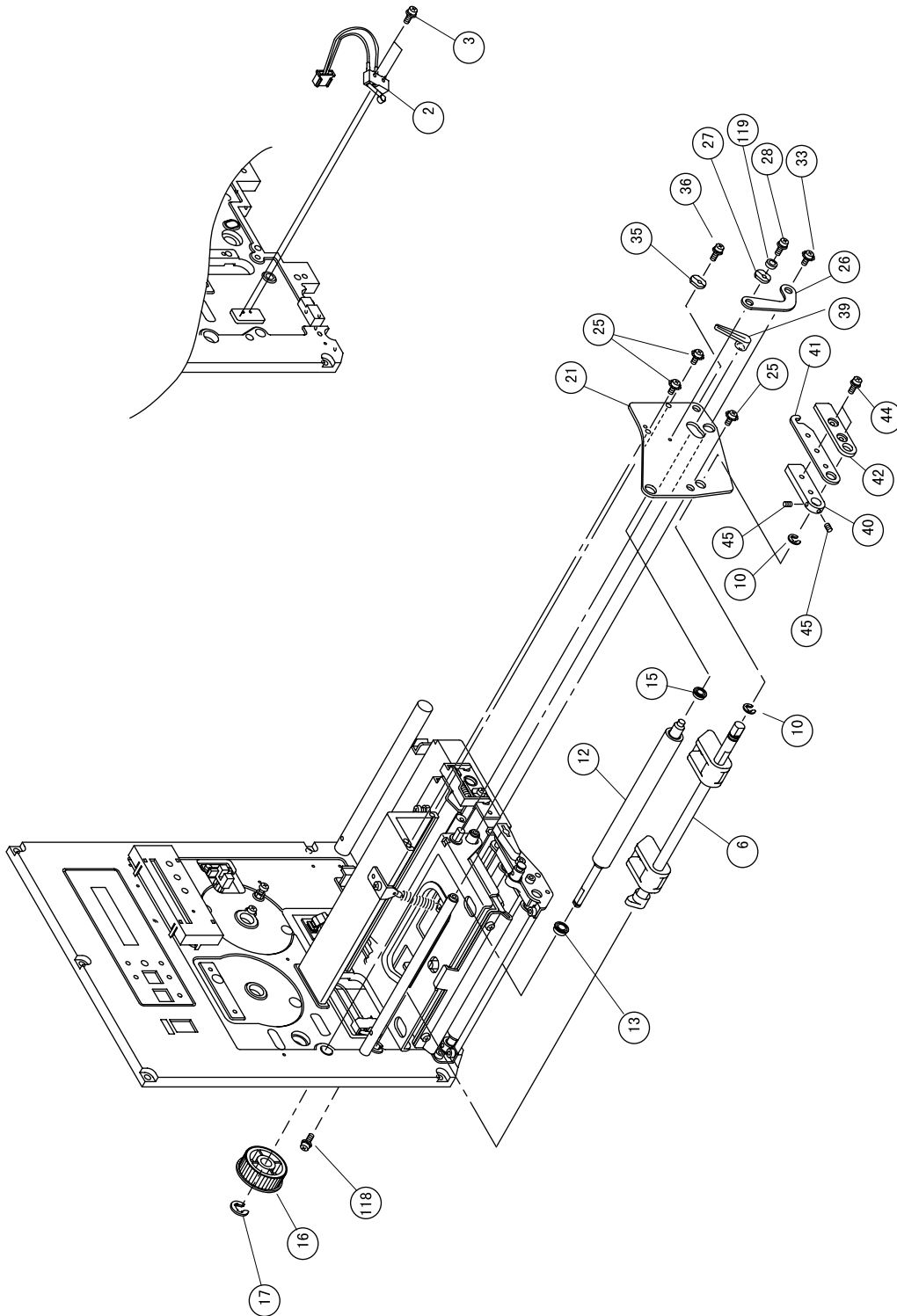
Frame Assembly

NO.	CODE	DESCRIPTION	QTY
3	PR1734100	Engine frame	1
12	PB0540101	Guide post	1
14	MC0401022	Pan head screw	1
17	PR1731701	Stay	1
21	MC0401222	Pan head screw	2
25	PA3732500	Spring bracket	1
28	MC0300622	Pan head screw	1
32	PB0731500	Shaft (support)	1
34	MC0401022	Pan head screw	2
36	PB0732800	Shaft (Ribbon adjust)	1
39	PR1730300	Roller	1
43	PA3738400	Dispenser Bar	1
44	MN0300824	Hex bolt	1
45	PD1731300	Dispense Bar	1
46	MN0300624	Hex bolt	2
55	PB0733500	Shaft (holder)	1
56	NB0040022	Spring washer	1
58	PA4730700	Plate spring	1
60	PD1732000	Platen frame	1
62	PR0730100	Platen roller	2
63	PB2730100	Collar	2
65	MJ1300424	W-point screw	2
66	PT1112060	Ball supporter	2
67	PT1109050	Ball supporter	2
70	PA1732100	Supporter clamp (A)	1
71	MN0400824	Hex bolt	2
80	PB0730500	Post (latch)	1
81	PB2740100	Collar	1
82	PE3720300	Roller	1
83	MD4301222	Pan head screw	1
84	PA3736400	Latch handle (holder)	1
86	PB0735400	Shaft (latch handle)	1
87	PC3730101	Spring (latch handle)	1
88	PE1730700	Handle (C)	1
89	NG2201030	Pin	1
90	ND0030030	E-Ring	2
92	MN0402524	Hex bolt	2
93	MN0401624	Hex Bolt	1
94	MN0401024	Hex bolt	1
95	PE8730200	Pulley	2
99	ND0040030	E-Ring	2
101	PA3734800	Pulley bracket	1
102	PA2730700	Plate nut	1
104	PB0731600	Shaft (roller)	1
105	ND0040030	E-Ring	1
106	PR1730600	Tension roller	1
109	MD4402022	Pan head screw	2

Frame Assembly

NO.	CODE	DESCRIPTION	QTY
111	PT8190064	Timing belt	1
127	PL1720100	Motor pulley	1
128	MJ1400524	W-point screw	2
129	RH1733600	Stepper Motor	1
130	MC0401222	Pan head screw	2
141	PB0731701	Shaft (idle)	1
142	PE8730100	Gear	1
143	PE8730300	Pulley	1
144	PT1112060	Ball supporter	2
146	ND0040030	E-Ring	1
147	PT8150064	Timing belt	1
149	PA1730500	Shaft bracket	1
150	MC0401022	Pan head screw	2
155	PA1730700	Tension bracket	1
156	PB0730600	Post (tension)	1
157	MD4400822	Pan head screw	1
158	PR1730600	Tension roller	1
160	ND0040030	E-Ring	1
161	MD4300822	Pan head screw	2
164	PR4730501	Key board cover	1
165	MD4301222	Pan head screw	4
166	RJ2730203	KB PCB set EX1,3	1
168	MH0300821	P-tight screw	4
170	RH1731300	PSW cable	1
171	PA3739900	Connector lock	1
172	RJ2730100	DSW PCB set	1
173	MD3300822	Pan head screw	2
174	PH0730200	DSW cover	1
175	RH1731600	DSW cable	1

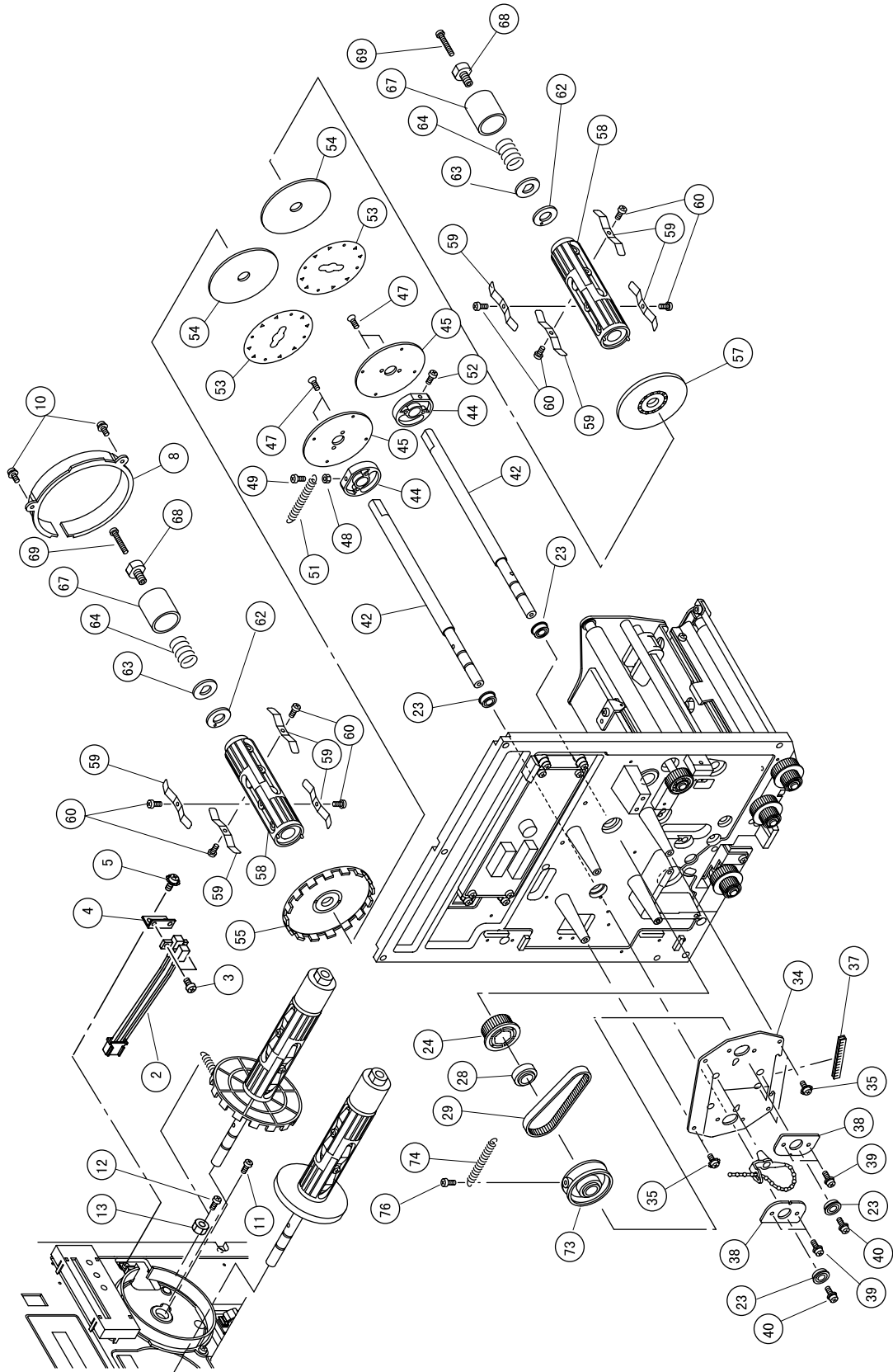
Print Head Assembly



Print Head Assembly

NO.	CODE	DESCRIPTION	QTY
2	RH1731100	SEN5 cable	1
3	MD3201221	Pan head screw	2
6	PR1734201	Pressure cam	1
10	ND0060030	E-Ring	2
12	PR0730200	Feed roller	1
13	PT1112060	Ball supporter	1
15	PT1109050	Ball supporter	1
16	PE8730100	Gear	1
17	ND0040030	E-Ring	1
21	PA2730500	Head frame	1
25	MC0401022	Pan head screw	3
26	PA1730300	Plate (adjust)	1
27	PL2720100	Adjust collar	1
28	MD4300822	Pan head screw	1
33	MC0401022	Pan head screw	1
35	PL2730100	Adjust collar	1
36	MD4401022	Pan head screw	1
39	PE1730400	Handle (B)	1
40	PD1730600	Handle (A)	1
41	PA2730600	Latch handle (C)	1
42	PD1731200	Handle (B)	1
44	MD4301022	Pan head screw	2
45	MJ1300424	W-point screw	2
51	PA3732300	Head bracket (up)	1
59	PV9730200	Bush	1
64	PB0732700	Shaft (adjust cam)	1
69	PE1730300	Adjust cam	2
70	ND0050030	E-Ring	2
71	PC1730200	Spring (head)	2
72	PR4731100	Head bracket (low)	1
80	PR1730200	Adjust plate	1
85	MD4300622	Pan head screw	2
89	PB0732601	Shaft (head bracket)	1
94	ND0070030	E-Ring	2
96	PA3732100	Ribbon plate	1
98	MD3250522	Pan head screw	2
99	PA4730401	Plate spring (head cam)	1
100	PC0730200	Spring (head open)	1
102	GH000781A	Print head Assy	1
107	RH1731200	HDS cable	1
108	RH1727100	HDP cable	1
114	PB5730300	Screw (head)	1
118	MC0401022	Pan head screw	1
119	NA1030022	Plain washer	1

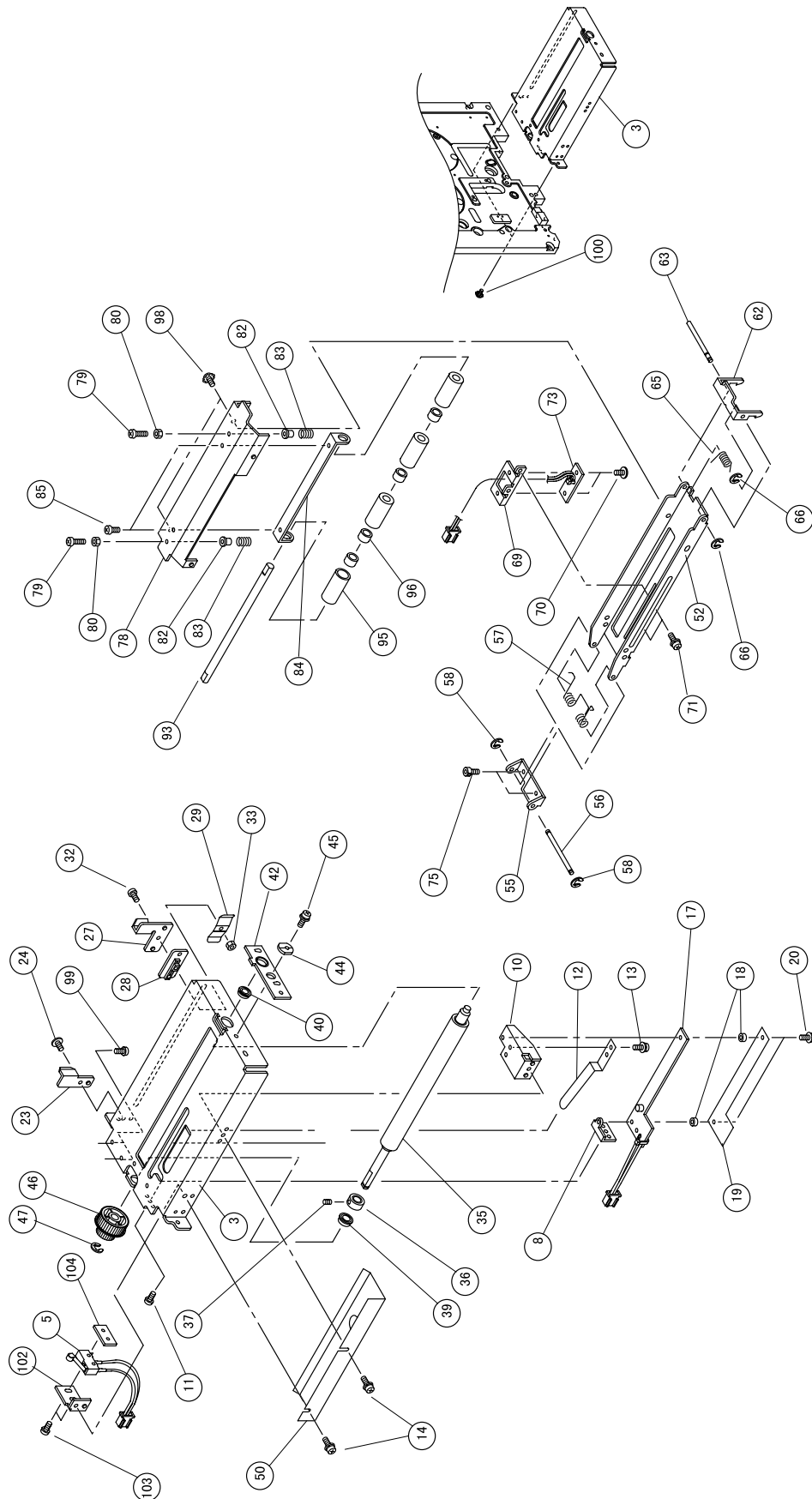
Ribbon Assembly



Ribbon Assembly

NO.	CODE	DESCRIPTION	QTY
2	RH1730400	SEN4 cable	1
3	MA0300622	Pan head screw	2
4	PA3730200	Sensor bracket (ribbon)	1
5	MC0301022	Pan head screw	1
8	PV2730500	Disk plate cover	1
10	MD4300622	Pan head screw	2
11	MD3300822	Pan head screw	1
12	MA0301022	Pan head screw	1
13	MT1300522	Hex nut	1
23	PT1112080	Ball supporter	4
24	PR1731900	Pulley	1
28	PB2691100	Ribbon shaft collar	1
29	PT8085048	Timing belt	1
34	PA1731800	Ribbon frame	1
35	MC0401022	Pan head screw	4
37	PV9730100	Bush	1
38	PA1731000	Adjust plate	2
39	MD4300622	Pan head screw	4
40	MD4400822	Pan head screw	2
42	PB0731200	Shaft (ribbon)	2
44	PE4720200	Plate holder boss	2
45	PA0730100	Guide plate	2
47	MH1250621	P-tight screw	4
48	MT1300522	hex nut	1
49	MA0302522	Pan head screw	1
51	PC0730100	Spring (back)	1
52	MA0301821	Pan head screw	1
53	PA0730200	Hold plate	2
54	PA0680300	Lining	2
55	PE7720100	Disk plate (A)	1
57	PE1681100	Guide plate (B)	1
58	PR1730900	Ribbon boss	2
59	PA4690900	Spring	8
60	MH0300521	P-tight screw	8
62	PT2301020	Dry metal washer	2
63	PA0680400	Disk	2
64	PC1730100	Spring	2
67	PE2730100	Stopper collar	2
68	PB5730100	Adjust screw	2
69	MA0302522	Pan head screw	2
73	PR1734400	Pulley	1
74	PC0740200	Spring (back)	1
76	MH0300821	P-tight screw	1

Feed Roller Assembly



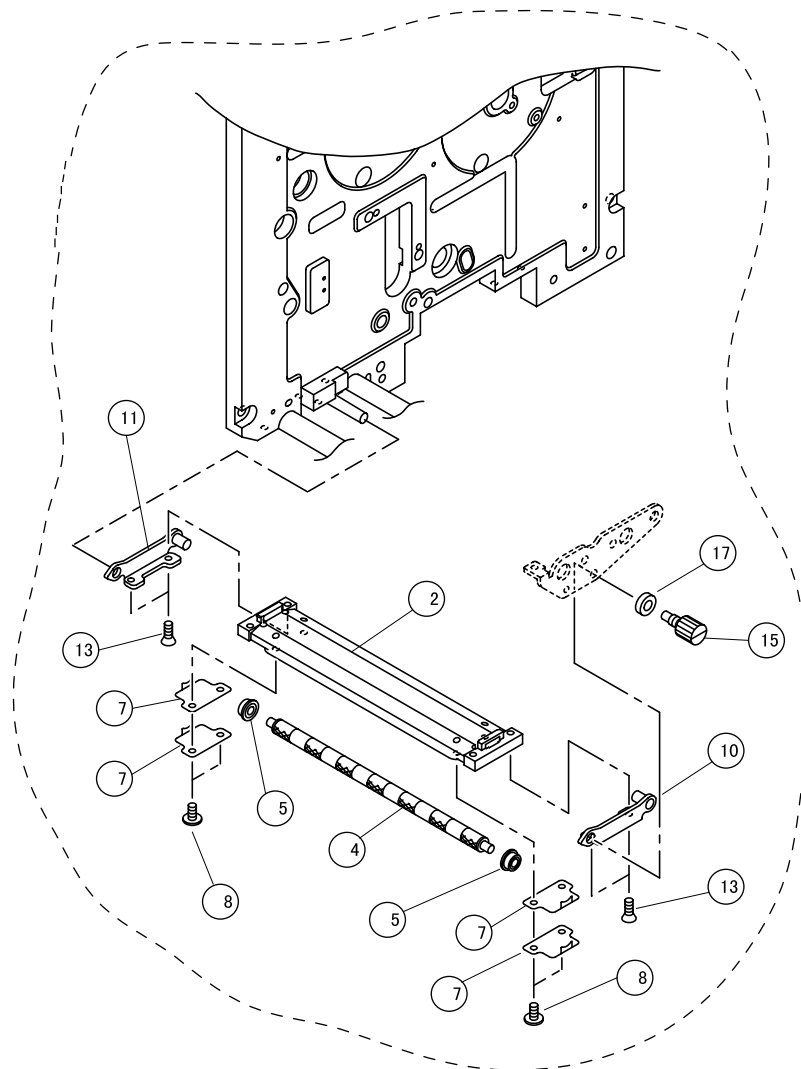
Feed Roller Assembly

NO.	CODE	DESCRIPTION	QTY
3	PR4730602	Paper guide bracket	1
5	RH1734000	SEN7 cable	1
8	PA3733900	PCB bracket (C)	1
10	PA3734000	PCB bracket (D)	1
11	MC0300622	Pan head screw	1
12	PA4730200	Lift spring	1
13	MD4300622	Pan head screw	1
14	MD4300622	Pan head screw	2
17	RH1737000	SEN1 cable	1
18	PT9680500	Spacer	2
19	PA1730800	PCB protector	1
20	MD4300822	Pan head screw	2
23	PA3731401	Paper guide (R)	1
24	MJ9300622	Thin head screw	1
27	PA3734200	Slide guide	1
28	PE1730200	Slider	1
29	PA4730100	Slide spring	1
32	MA0301022	Pan head screw	1
33	MT1300522	Hex nut	1
35	PR0730100	Platen roller	1
36	PB2730100	Collar	1
37	MJ1300424	W-point screw	1
39	PT1112060	Ball supporter	1
40	PT1109050	Ball supporter	1
42	PA1731900	Supporter clamp (B)	1
44	PL2720100	Adjust collar	1
45	MD4300822	Pan head screw	1
46	PE8730201	Pulley	1
47	ND0040030	E-Ring	1
50	PA3735100	Paper guide	1
52	PA3734300	Paper lid (low)	1
55	PA3735200	Lid bracket	1
56	PB0731000	Shaft (lid)	1
57	PC2730200	Spring (open)	1
58	ND0020030	E-Ring	2
62	PA3731700	Latch handle	1
63	PB0730900	Shaft (latch)	1
65	PC2730500	Spring (latch)	1
66	ND0020030	E-Ring	2
69	PA3734400	Sensor bracket (pitch)	1
70	MD4300622	Pan head screw	2
71	MJ9300622	Thin head screw	2
73	RH1732600	SEN2 cable	1
75	MN0300624	Hex bolt	2
78	PA3734500	Paper lid (up)	1
79	MA0301022	Pan head screw	2
80	MT1300522	Hex nut	2

Feed Roller Assembly

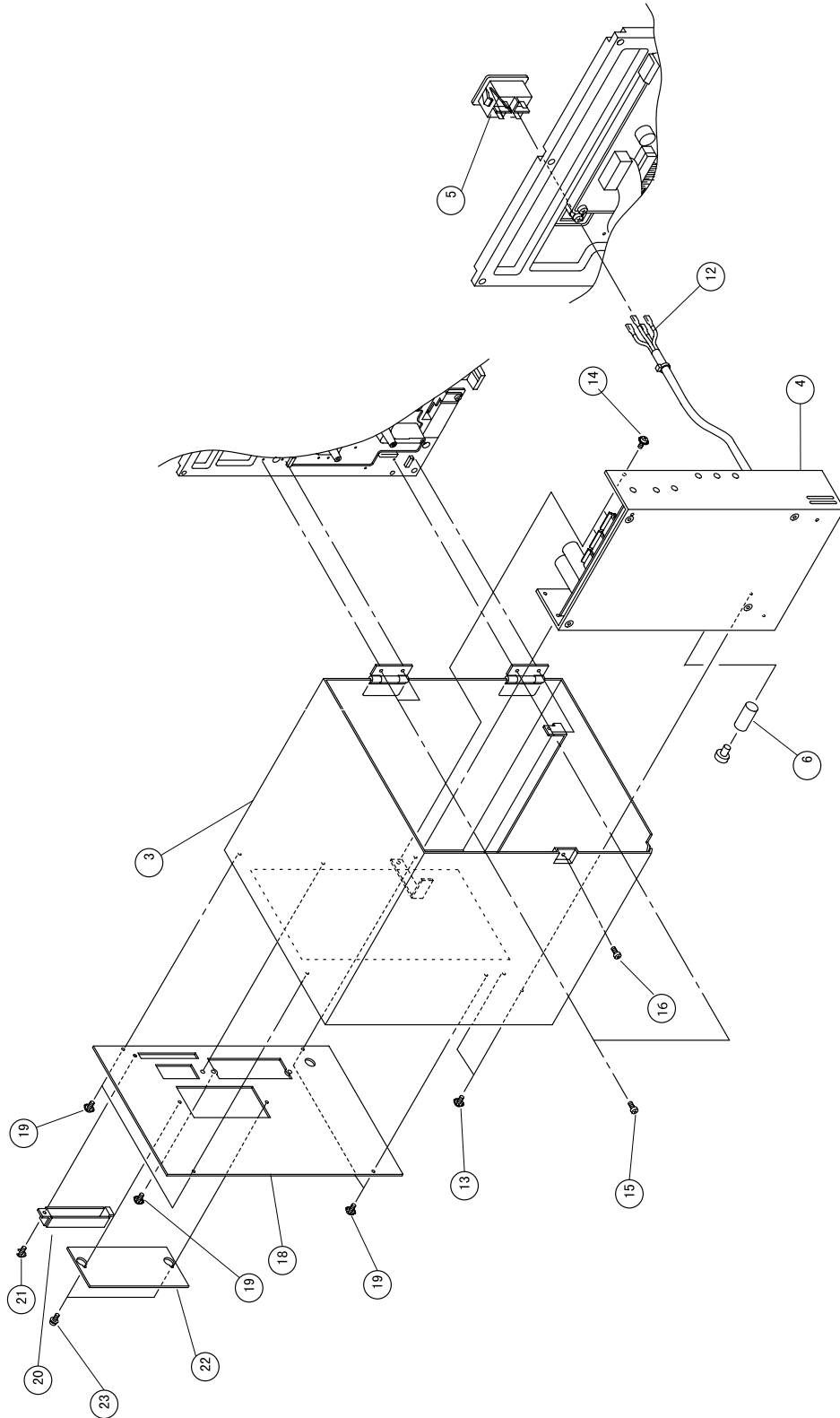
NO.	CODE	DESCRIPTION	QTY
82	PE2730300	Stopper collar	2
83	PC1730300	Spring (pressure)	2
84	PA3731300	Roller bracket	1
85	MA0300422	Pan head screw	2
93	PB0730800	Shaft (pressure roller)	1
95	PE3720200	Roller	4
96	PE3720500	Roller	4
98	MC0300622	Pan head screw	2
99	MN0300824	Hex bolt	2
100	MN0400824	Hex bolt	2
102	PA3732700	Micro SW BR	1
103	MD3201221	Pan head screw	2
104	PA1732300	Nut plate	1

Pressure Roller Assembly

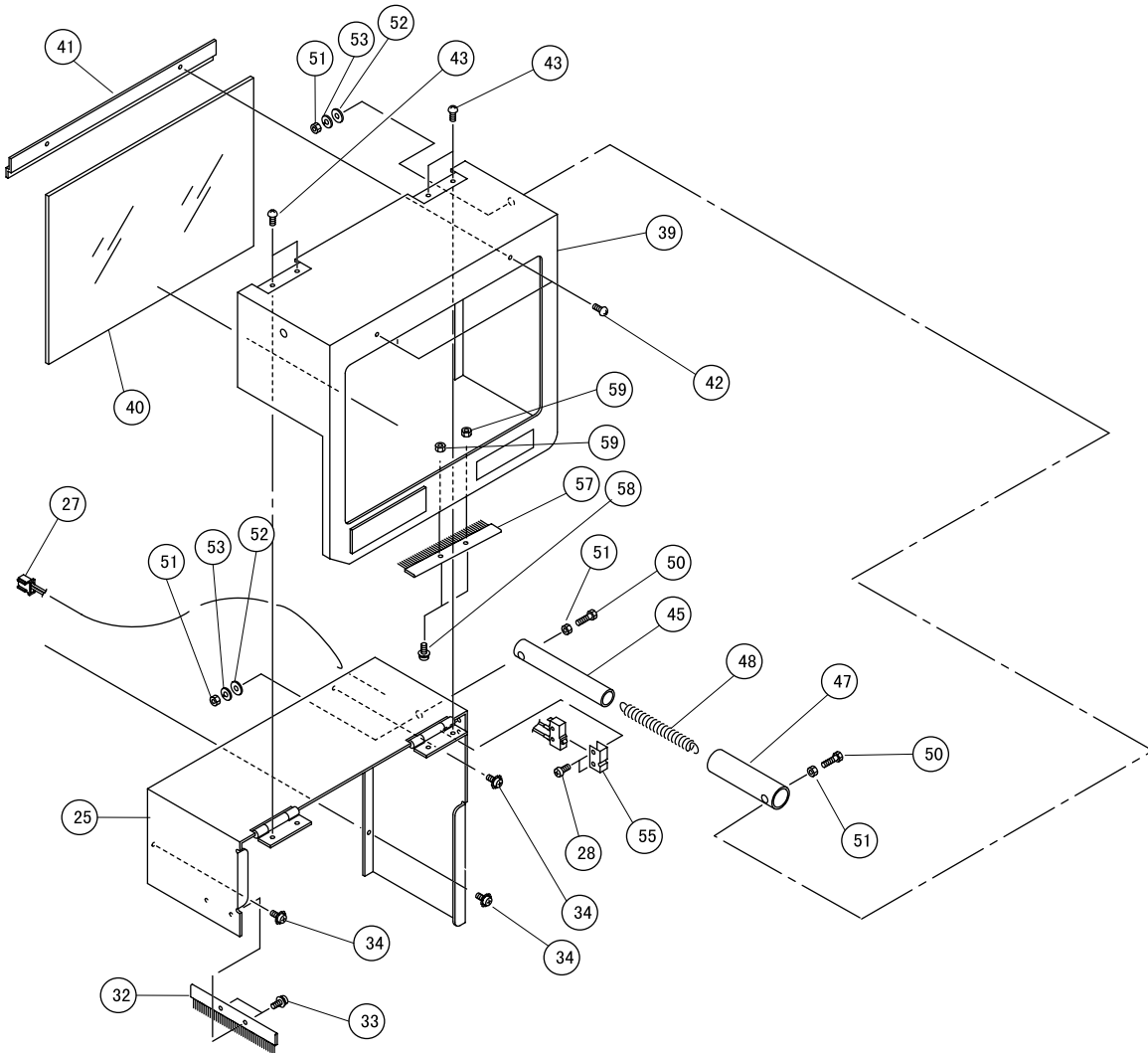


NO.	CODE	DESCRIPTION	QTY
2	PL1730900	Roller holder (pressure)	1
4	PB0731800	Pressure roller	1
5	PT1108040	Ball supporter	2
7	PA4730300	Plate spring	4
8	MJ9300622	Thin head screw	4
10	PR1732800	Plate (holder)	1
11	PR1732900	Plate (holder)	1
13	MA1300822	Flat head screw	4
15	PB0733601	Screw (holder)	1
17	PE2730600	Collar	1

Cover Assembly



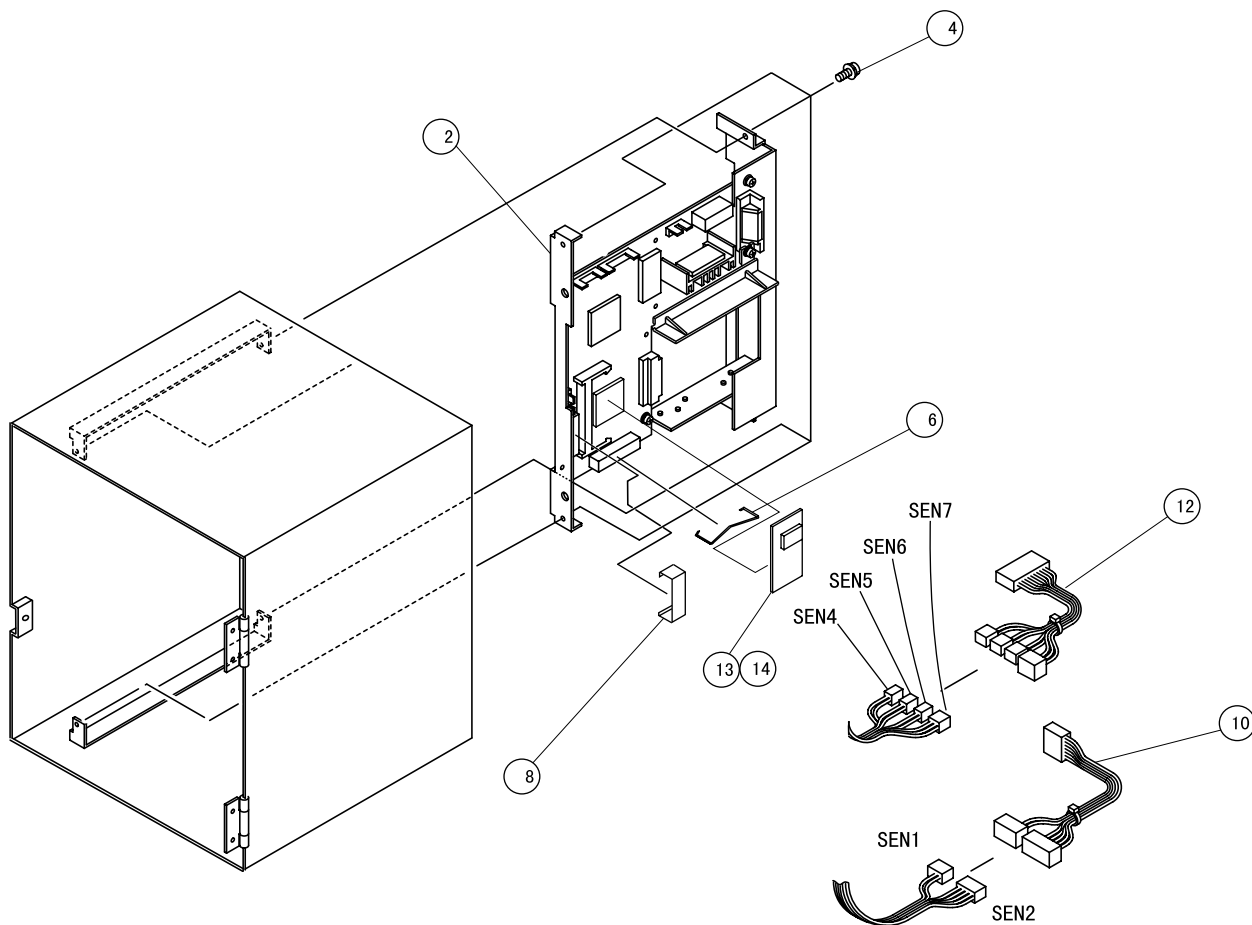
Cover Assembly



Cover Assembly

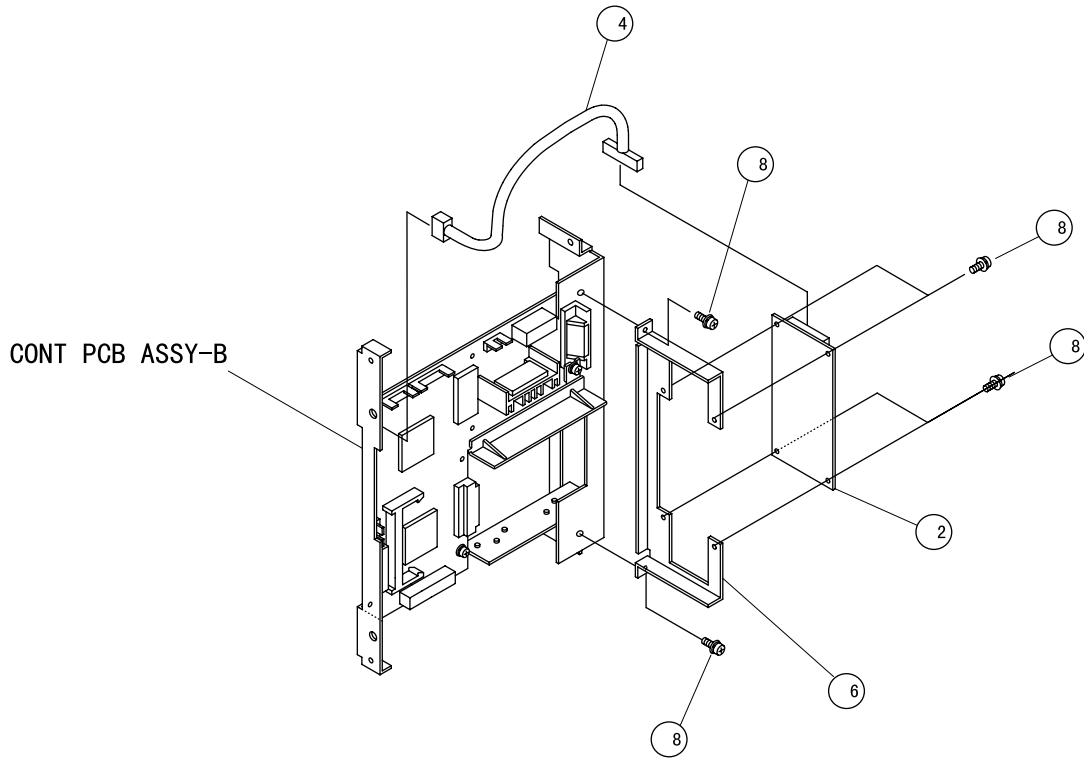
NO.	CODE	DESCRIPTION	QTY
3	PH1731003	Close cover	1
4	PR7730301	Power supply	1
5	GA300161A	POW Switch	1
6	HD100311A	Fuse	1
12	RH1730500	POW/SW cable	1
13	MC0301022	Pan head screw	2
14	MC0401022	Pan head screw	1
15	MC0301022	Pan head screw	4
16	MC0401022	Pan head screw	1
18	PH1731200	Close cover (B)	1
19	MC0300622	Pan head screw	5
20	PH1732800	Memory card cover	1
21	MC0300622	Pan head screw	2
22	PH1732000	Close cover (C)	1
23	MD4300822	Pan head screw	2
25	PH1731400	Cover bracket	1
27	RH1732700	SEN6 cable	1
28	MA0200821	Pan head screw	2
32	PR1340500	Anti static brash	1
33	MD4300622	Pan head screw	2
34	MC0301022	Pan head screw	3
39	PH1731600	Open cover (A)	1
40	PH2730100	Open cover (B)	1
41	PH1730700	Set plate	1
42	MA7300625	Truss screw	2
43	MA7300625	Truss screw	4
45	PE6730300	SP case (A)	1
47	PE6730400	SP case (B)	1
48	PC0090300	Spring (cover)	1
50	PB0013700	Spring shaft	2
51	MT3020621	Hex nut	4
52	NA1060022	Plain washer	2
53	NB0060022	Spring washer	2
55	PA6730300	Cover (SEN6)	1
57	PR1340500	Antistatic brush	1
58	MD4300625	Pan head screw	2
59	MT1300522	Hex nut	2

Cont PCB Assembly



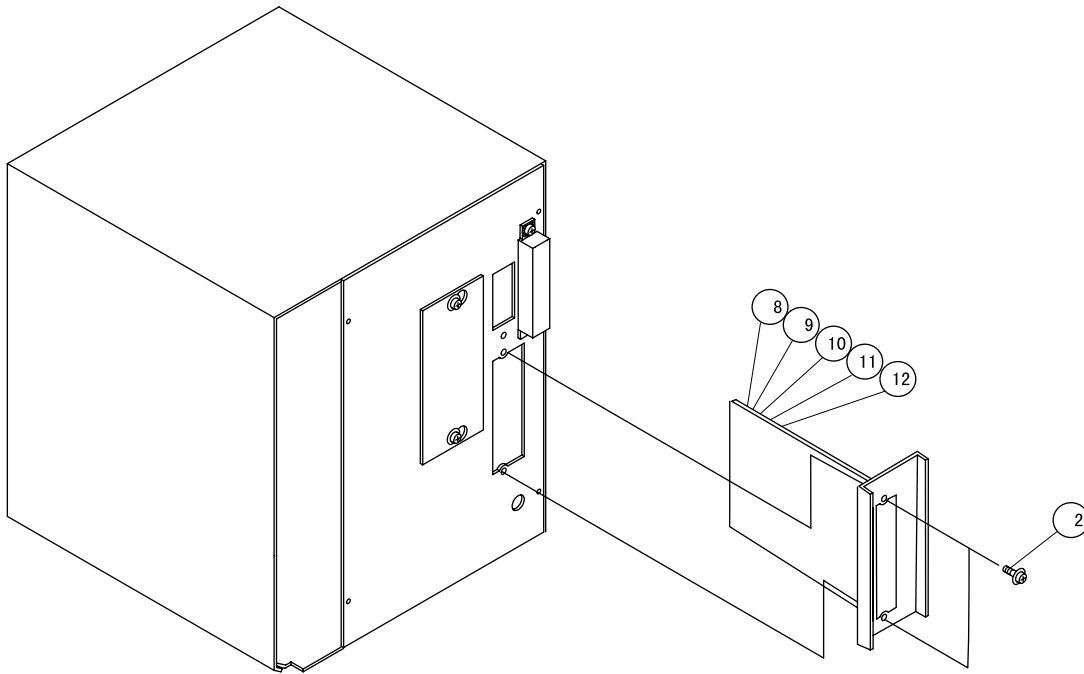
NO.	CODE	DESCRIPTION	QTY
2	RJ1733100	Main PCB ASSY	1
4	MD4300622	Pan head screw	4
6	PC9730100	Spring(lock)	1
8	PA3739900	Connector lock	1
10	RH1727300	Pitch sensor relay code set	1
12	RH1735100	Sensor relay code set B	1
13	RJ7770200	Memory PCB ASSY-B	1
14	RJ7770300	Memory PCB (4 MB Upgrade Option)	1

Check PCB



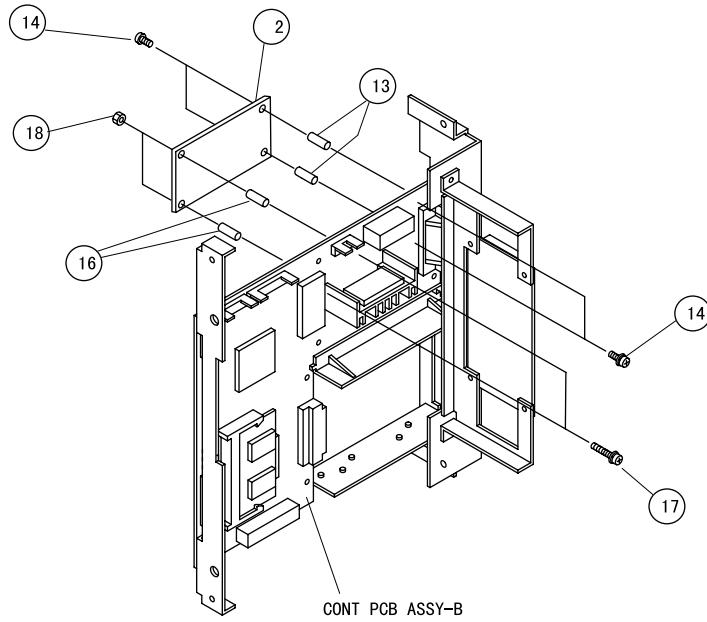
NO.	CODE	DESCRIPTION	QTY
2	RJ4731200	Check PCB set	1
4	RH4730000	Check cable set	1
6	PA3736600	PCB bracket	1
8	MD4300822	Pan head screw	6

Interface (Option)



NO.	CODE	DESCRIPTION	QTY
2	MD3300622	Screw	2
8	WCL404070	IEEE-1284 Parallel Interface	1
9	WCL404051	Serial Interface	1
10	WCL404060	USB Interface	1
11	11S000158	Ethernet Interface	1
12	11S000136	CX/TX Interface	1

Memory (Option)



NO.	CODE	DESCRIPTION	QTY
2	RJ4770100	PC card PCB Assy	1
13	PT9770600	Spacer	2
14	MD4300621	Pan head screw	4
16	PT9770700	Spacer	2
17	MD4201621	Pan head screw	2
18	MT1200422	Nut	2