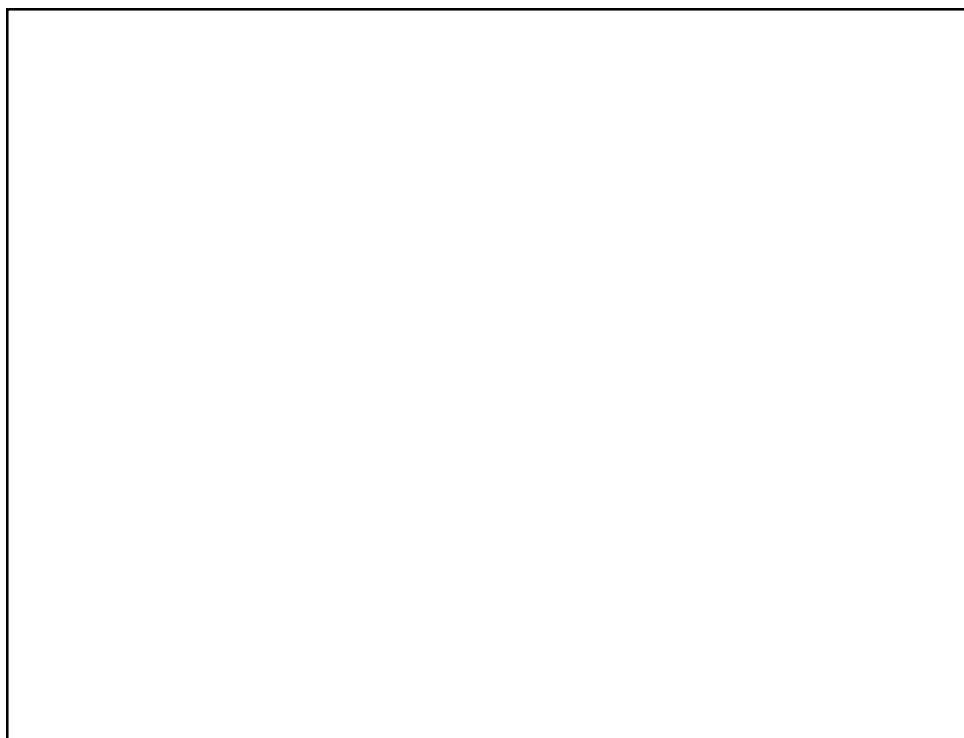




M-8485Se Printer Standard Unit

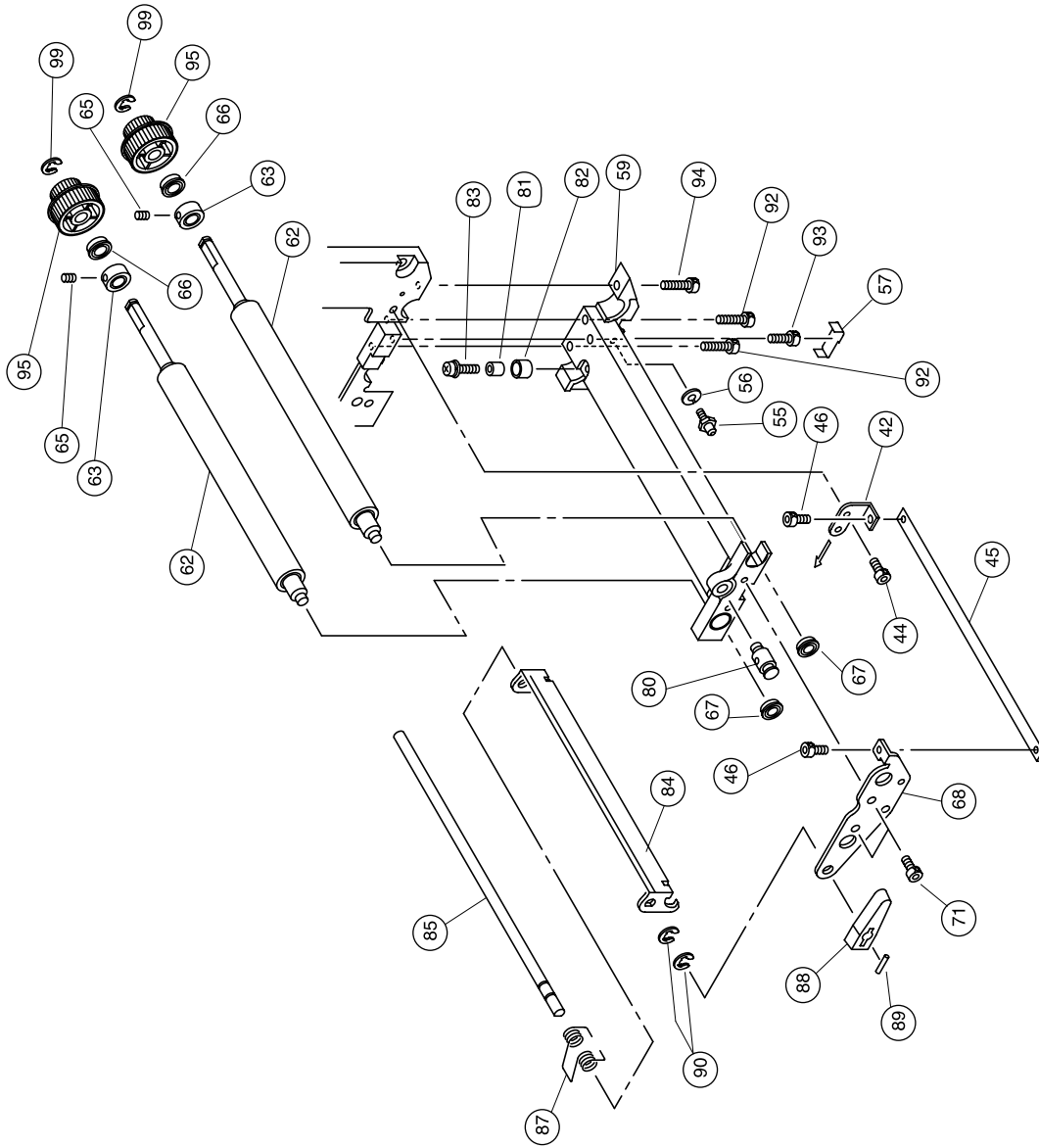


Spare Parts List

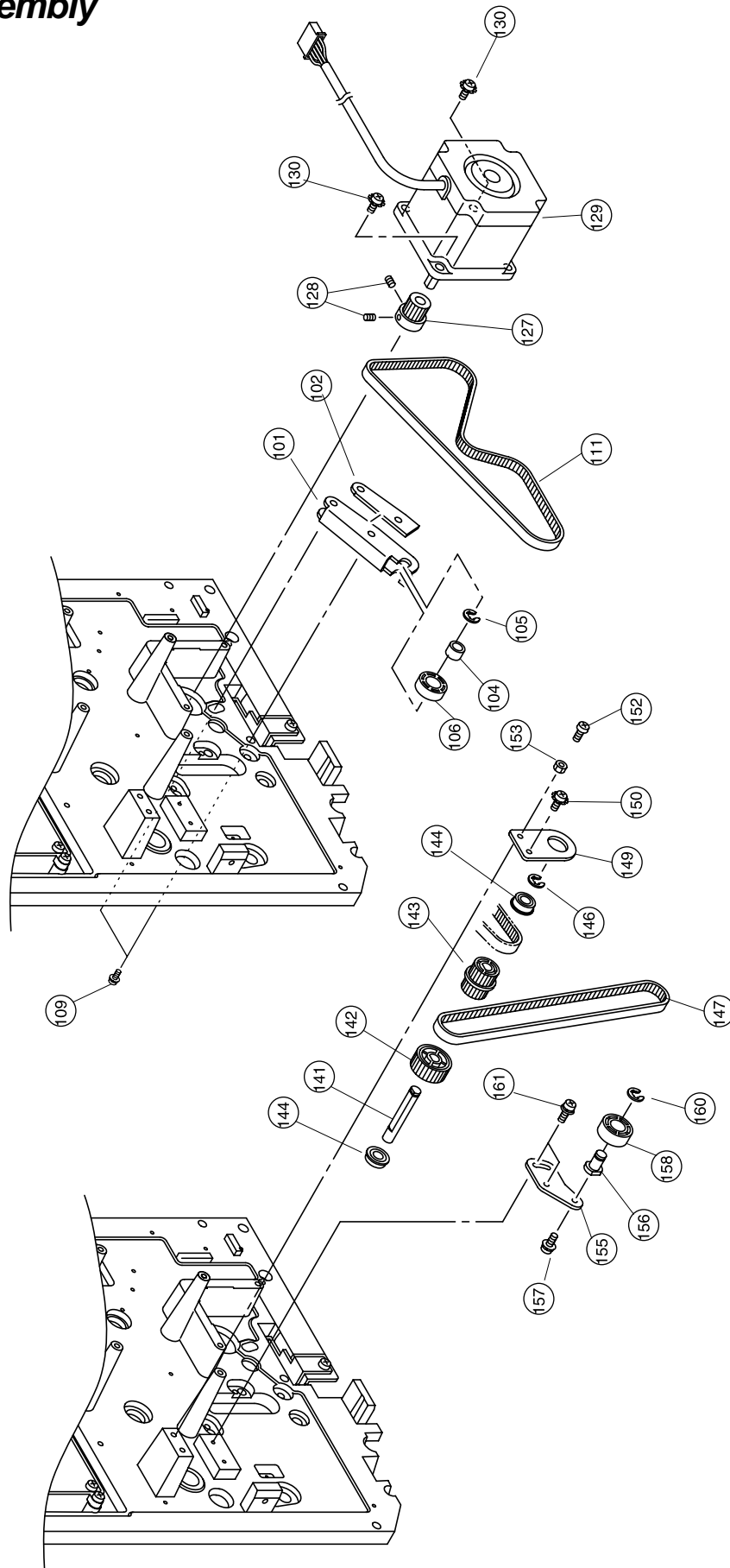
Table of Contents

M-8485Se	Page
Spare Parts List	
<i>Frame Assembly</i>	3
<i>Print Head Assembly</i>	9
<i>Ribbon Assembly</i>	13
<i>Feed Roller Assembly</i>	16
<i>Pressure Roller Assembly</i>	19
<i>Cover Assembly</i>	20
<i>Main PCB Assembly</i>	23
<i>Check PCB Assembly</i>	24

Frame Assembly



Frame Assembly



Frame Assembly

ITEM NO.	CODE	DESCRIPTION	QTY
2	PL1730700	ENGINE FRAME	1
11	PT2108006	DRY METAL	1
12	PB0540101	GUIDE POST	1
14	MC0401022	PAN HEAD SCREW	1
16	PR1730500	STAY	1
21	MC0401222	PAN HEAD SCREW	2
25	PA3732500	SPRING BRACKET	1
28	MC0300622	PAN HEAD SCREW	1
32	PB0731500	SHAFT (SUPPORT)	1
34	MC0401022	PAN HEAD SCREW	2
36	PB0732800	SHAFT (RIBBON ADJUST)	1
39	PR1730300	ROLLER	1
42	PA3736200	DISPENSE BAR BRACKET	1
44	MN0300824	HEX SOCKET BOLT	1
45	PD1731300	DISPENSE BAR	1
46	MN0300624	HEX SOCKET BOLT	2
55	PB0733500	SHAFT (HOLDER)	1
56	NB0040022	SPRING WASHER	1
57	PA4730500	PLATE SPRING	1
59	PL1730800	PLATEN FRAME	1
62	PR0730100	PLATEN ROLLER	2
63	PB2730100	COLLAR	2
65	MJ1300424	HEX SOCKET SET SCREW	2
66	PT1112060	BALL SUPPORTER	2
67	PT1109050	BALL SUPPORTER	2
68	PA3736301	SUPPORTER CLAMP (A)	1
71	MN0400824	HEX SOCKET BOLT	2
80	PB0730500	POST (LATCH)	1
81	PB2740100	COLLAR	1
82	PE3720300	ROLLER	1
83	MD4301222	PAN HEAD SCREW	1
84	PA3736400	LATCH HANDLE (HOLDER)	1
85	PB0733400	SHAFT (LATCH HANDLE)	1
87	PC3730101	SPRING (LATCH HANDLE)	1
88	PE1730700	HANDLE (C)	1

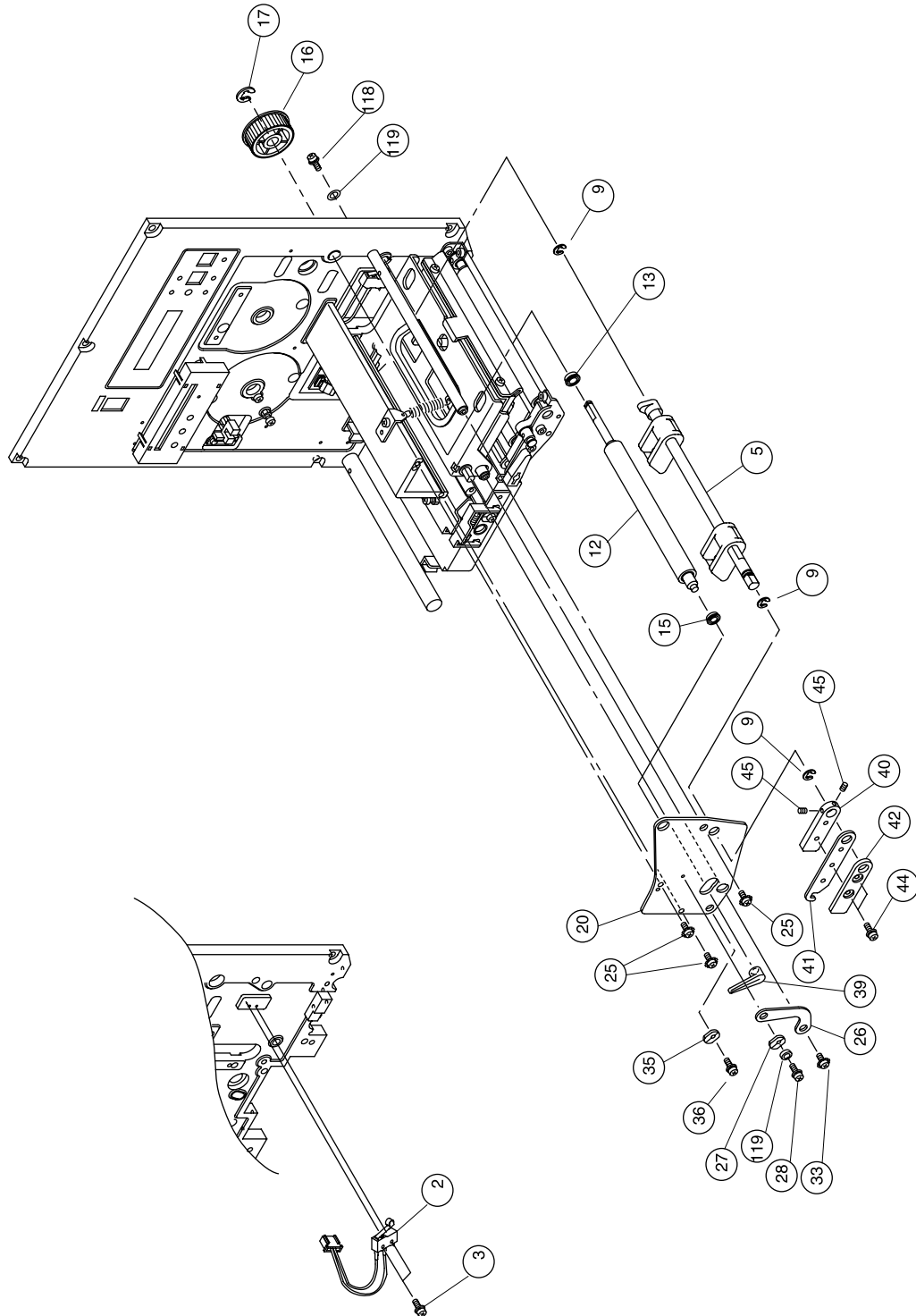
Frame Assembly

ITEM NO.	CODE	DESCRIPTION	QTY
89	NG2201030	PARALLEL PIN	1
90	ND0030030	E-SNAP RING	2
92	MN0402524	HEX SOCKET BOLT	2
93	MN0401624	HEX SOCKET BOLT	1
94	MN0401024	HEX SOCKET BOLT	1
95	PE8730200	PULLEY (24/36)	2
99	ND0040030	E-SNAP RING	2
101	PA3734800	PULLEY BRACKET	1
102	PA2730700	PLATE NUT	1
104	PB0731600	SHAFT (ROLLER)	1
105	ND0040030	E-SNAP RING	1
106	PR1730600	TENSION ROLLER	1
109	MD4402022	PAN HEAD SCREW	1
111	PT8190064	TIMING BELT	1
127	PL1720100	MOTOR PULLEY (20)	1
128	MJ1400524	HEX SOCKET SET SCREW	2
129	RH1730600	STEPPER MOTOR ASSY)	1
130	MC0401222	PAN HEAD SCREW	2
141	PB0731701	SHAFT (IDLE)	1
142	PE8730100	GEAR	1
143	PE8730300	PULLEY (24)	1
144	PT1112060	BALL SUPPORTER	2
146	ND0040030	E-SNAP RING	1
147	PT8150064	TIMING BELT	1
149	PA1730500	SHAFT BRACKET	1
150	MC0401022	PAN HEAD SCREW	2
152	MT1400722	PAN HEAD SCREW	1
153	MA0401622	HEX NUT	1
155	PA1730700	TENSION BRACKET	1
156	PB0730600	POST (TENSION)	1
157	MD4400822	PAN HEAD SCREW	1
158	PR1730600	TENSION ROLLER	1
160	ND0040030	E-SNAP RING	1
161	MD4300822	PAN HEAD SCREW	2
164	PR4730501	KEYBOARD COVER	1

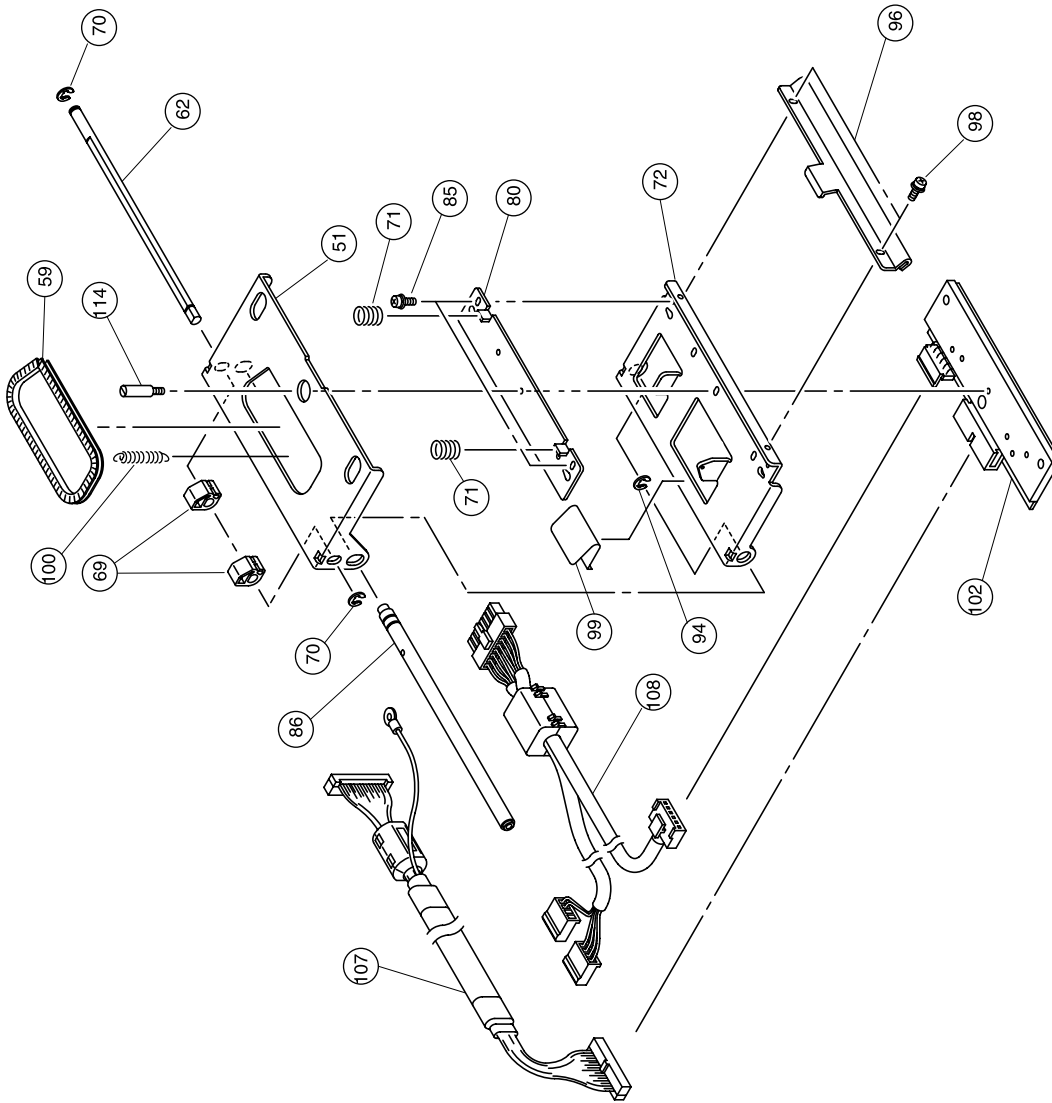
Frame Assembly

ITEM NO.	CODE	DESCRIPTION	QTY
165	MD4301222	PAN HEAD SCREW	4
166	RJ2730203	KEY PCB SET	1
168	MH0300821	PAN HEAD P TITE SCREW	4
170	RH1731300	PSW CABLE	1
171	PA3739900	CONNECTOR LOCK	1
172	RJ2730100	DSW PCB SET	1
173	MD3300822	PAN HEAD SCREW	2
174	PH0730200	DIP SWITCH COVER	1
175	RH1731600	DSW CABLE SET	1

Print Head Assembly



Print Head Assembly



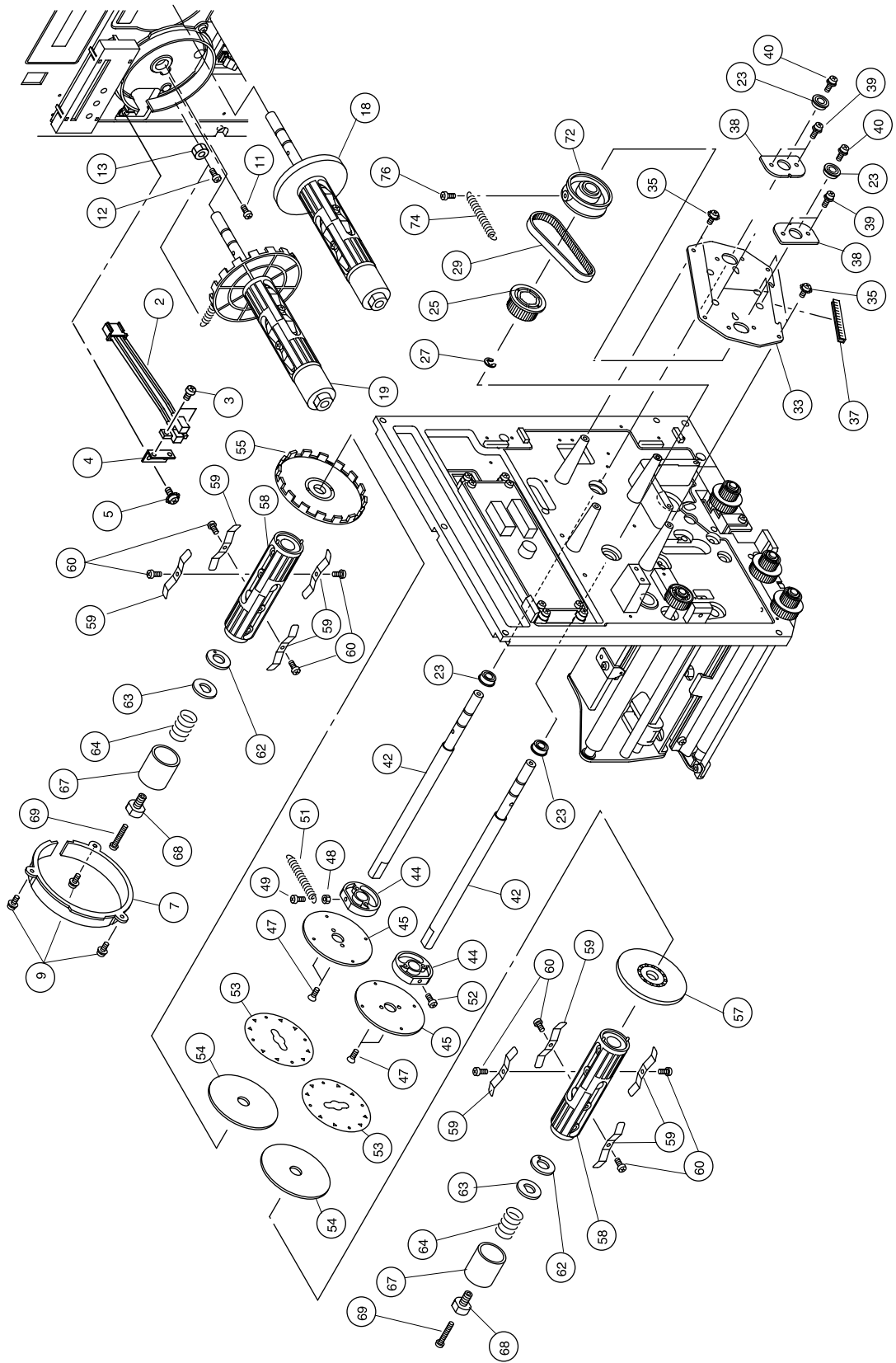
Print Head Assembly

ITEM NO.	CODE	DESCRIPTION	QTY
2	RH1731100	SEN5 CABLE	1
3	MD3201221	PAN HEAD SCREW	2
5	PR1730700	PRESSURE CAM	1
9	ND0060030	E-SNAP RING	3
12	PR0730200	FEED ROLLER	1
13	PT1112060	BALL SUPPORTER	1
15	PT1109050	BALL SUPPORTER	1
16	PE8730100	GEAR	1
17	ND0040030	E-SNAP RING	1
20	PA2730200	HEAD FRAME	1
25	MC0401022	PAN HEAD SCREW	3
26	PA1730300	PLATE (ADJUST)	1
27	PL2720100	ADJUST COLLAR	1
28	MD4300822	PAN HEAD SCREW	1
33	MC0401022	PAN HEAD SCREW	1
35	PL2730100	ADJUST COLLAR	1
36	MD4401022	PAN HEAD SCREW	1
39	PE1730400	HANDLE (B)	1
40	PD1730600	HANDLE (A)	1
41	PA2730600	LATCH HANDLE (C)	1
42	PD1731200	HANDLE (B)	1
44	MD4301022	PAN HEAD SCREW	2
45	MJ1300424	HEX SOCKET SET SCREW	2
51	PA3732300	HEAD BRACKET (UPPER)	1
59	PV9730200	BUSH (205)	1
62	PB0731400	SHAFT (ADJUST CAM)	1
69	PE1730300	ADJUST CAM	2

Print Head Assembly

ITEM NO.	CODE	DESCRIPTION	QTY
70	ND0050030	E-SNAP RING	2
71	PC1730200	SPRING (HEAD)	2
72	PR4731100	HEAD BRACKET (LOWER)	1
80	PR1730200	ADJUST PLATE	1
85	MD4300622	PAN HEAD SCREW	2
86	PB0731100	SHAFT (HEAD BRACKET)	1
94	ND0070030	E-SNAP RING	2
96	PA3732100	RIBBON PLATE	1
98	MD3250522	PAN HEAD SCREW	2
99	PA4730401	PLATE SPRING (HEAD CAM)	1
100	PC0730200	SPRING (HEAD OPEN)	1
102	GH000781A	PRINT HEAD	1
107	RH1731200	HDS CABLE	1
108	RH1727100	HDP CABLE	1
114	PB5730300	SCREW (HEAD)	1
118	MC0401022	PAN HEAD SCREW	1
119	NA1030022	PLAIN WASHER	1

Ribbon Assembly



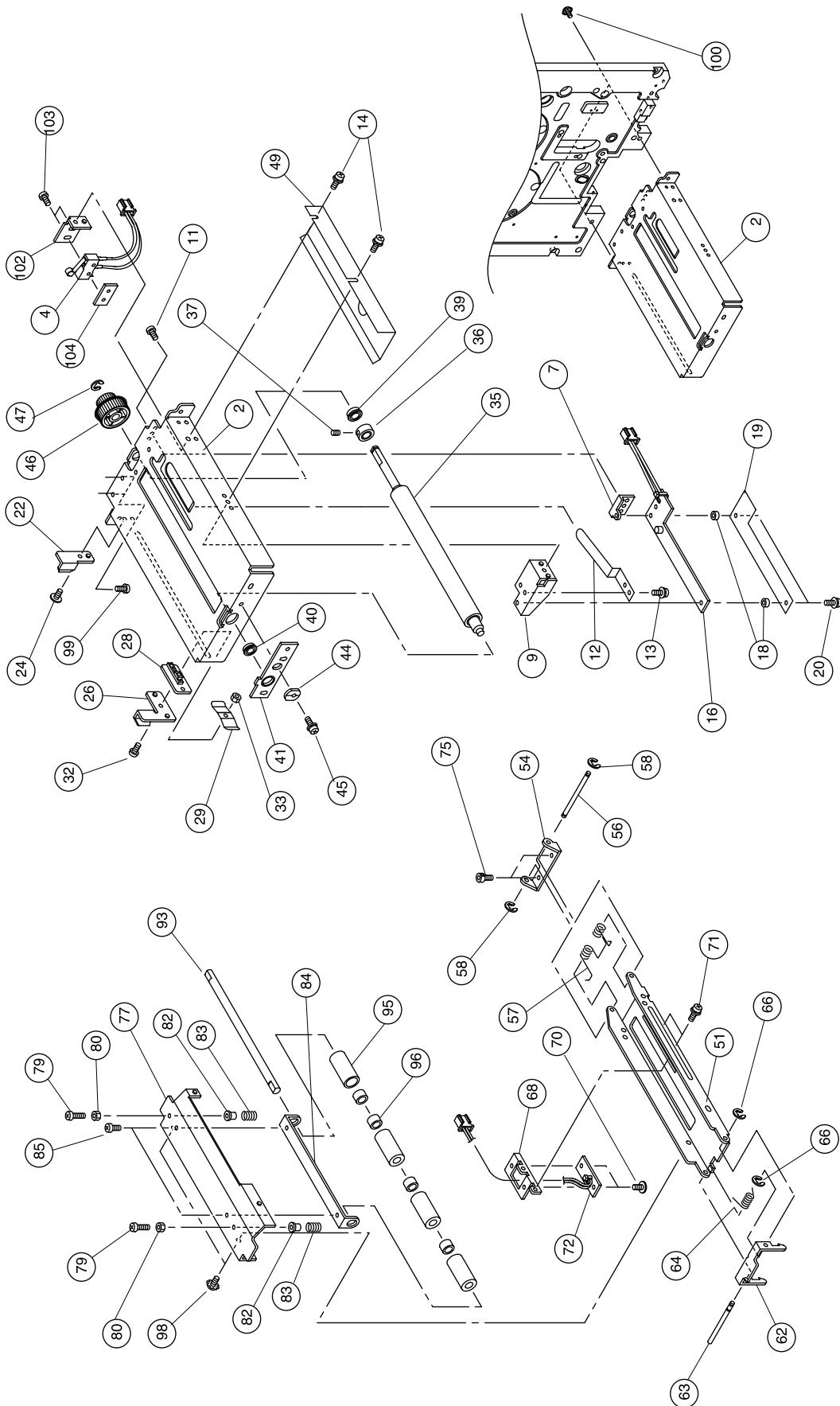
Ribbon Assembly

ITEM NO.	CODE	DESCRIPTION	QTY
2	RH1730400	SEN4 CABLE	1
3	MA0300622	PAN HEAD SCREW	2
4	PA3730200	SENSOR BRACKET (RIBBON)	1
5	MC0301022	PAN HEAD SCREW	1
7	PE6720100	DISK PLATE COVER	1
9	MD4300622	PAN HEAD SCREW	3
11	MD3300822	PAN HEAD SCREW	1
12	MA0301022	PAN HEAD SCREW	1
13	MT1300522	HEX NUT	1
18	RC2730200	RIBBON SUB (REWIND)	1
19	RC2730300	RIBBON SUB (UNWIND)	1
23	PT1112080	BALL SUPPORTER	4
25	PR1730800	PULLEY (40)	1
27	ND0060030	E-SNAP RING	2
29	PT8085048	TIMING BELT	1
33	PA1730600	RIBBON FRAME	1
35	MC0401022	PAN HEAD SCREW	4
37	PV9730100	BUSH (48)	1
38	PA1731000	ADJUST PLATE	2
39	MD4300622	PAN HEAD SCREW	4
40	MD4400822	PAN HEAD SCREW	2
42	PB0731200	SHAFT RIBBON	2
44	PE4720200	PLATE HOLDER BOSS	2
45	PA0730100	GUIDE PLATE	2
47	MH1250621	FLAT HEAD P TITE SCREW	4
48	MT1300522	HEX NUT	1
49	MA0302522	PAN HEAD SCREW	1

Ribbon Assembly

ITEM NO.	CODE	DESCRIPTION	QTY
51	PC0730100	SPRING (BACK)	1
52	MA0301821	PAN HEAD SCREW	1
53	PA0730200	HOLD PLATE	2
54	PA0680300	FRICTION WASHER	2
55	PE7720100	DISK PLATE (A)	1
57	PE1681100	GUIDE PLATE (B)	1
58	PR1730900	RIBBON BOSS	2
59	PA4690900	SPRING	8
60	MH0300521	PAN HEAD P TITE SCREW	8
62	PT2301020	OIL LESS METAL WASHER	2
63	PA0680400	DISK	2
64	PC1730100	SPRING	2
67	PE2730100	STOPPER COLLAR	2
68	PB5730100	ADJUST SCREW	2
69	MA0302522	PAN HEAD SCREW	2
72	PR1734000	PULLEY	1
74	PC0740200	SPRING (BACK)	1
76	MH0300821	PAN HEAD SCREW	1

Feed Roller Assembly



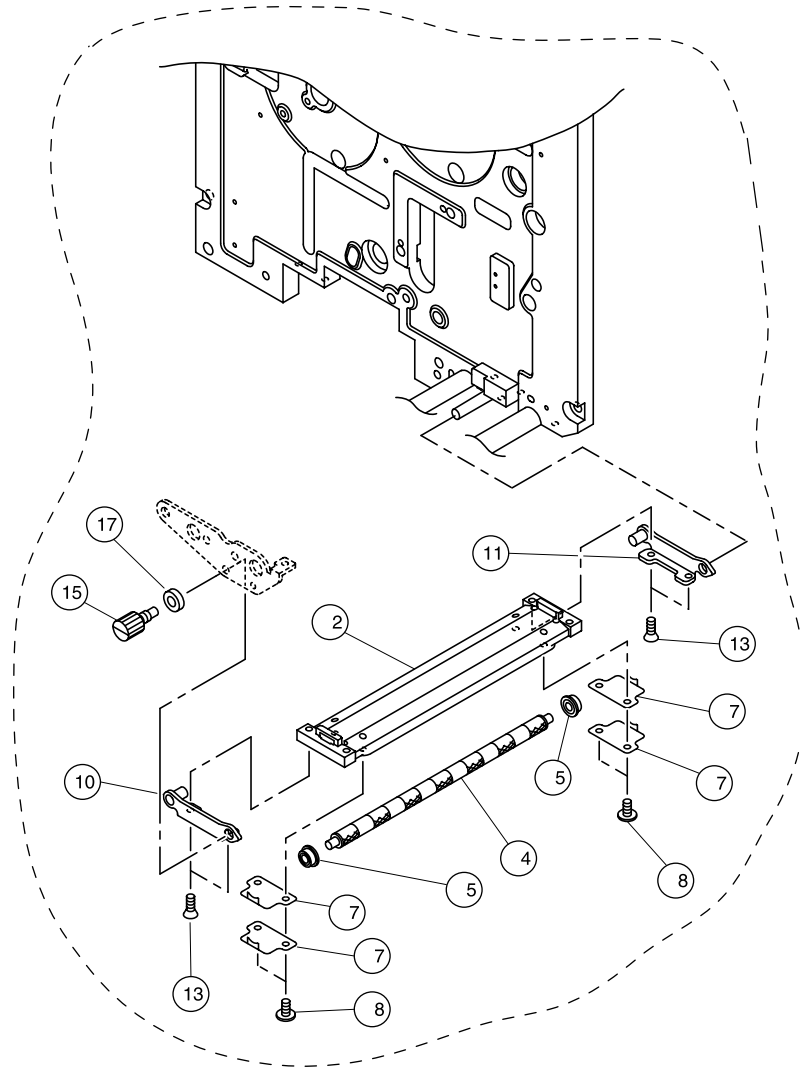
Feed Roller Assembly

ITEM NO.	CODE	DESCRIPTION	QTY
2	PR4730100	PAPER GUIDE BRACKET	1
4	RH1731500	SEN7 CABLE	1
7	PA3730500	PCB BRACKET (C)	1
9	PA3730600	PCB BRACKET (D)	1
11	MC0300622	PAN HEAD SCREW	1
12	PA4730200	LIFT SPRING	1
13	MD4300622	PAN HEAD SCREW	1
14	MD4300622	PAN HEAD SCREW	2
16	RH1730900	SEN1 CABLE	1
18	PT9540500	SPACER	2
19	PA1730800	PCB PROTECTOR	1
20	MD4300822	PAN HEAD SCREW	2
22	PA3731500	PAPER GUIDE (L)	1
24	MJ9300622	THIN HEAD SCREW	1
26	PA3731600	SLIDE GUIDE	1
28	PE1730200	SLIDER	1
29	PA4730100	SLIDE SPRING	1
32	MA0301022	PAN HEAD SCREW	1
33	MT1300522	HEX NUT	1
35	PR0730100	PLATEN ROLLER	1
36	PB2730100	COLLAR	1
37	MJ1300424	HEX SOCKET SET SCREW	1
39	PT1112060	BALL SUPPORTER	1
40	PT1109050	BALL SUPPORTER	1
41	PA1730100	SUPPORTER CLAMP (B)	1
44	PL2720100	ADJUST COLLAR	1
45	MD4300822	PAN HEAD SCREW	1
46	PE8730200	PULLEY (24/36)	1
47	ND0040030	E-SNAP RING	1
49	PA3734600	PAPER GUIDE	1
51	PA3731100	PAPER LID (LOWER)	1
54	PA3734700	LID BR	1
56	PB0731000	SHAFT (LID)	1
57	PC2730200	SPRING (OPEN)	1
58	ND0020030	E-SNAP RING	2

Feed Roller Assembly

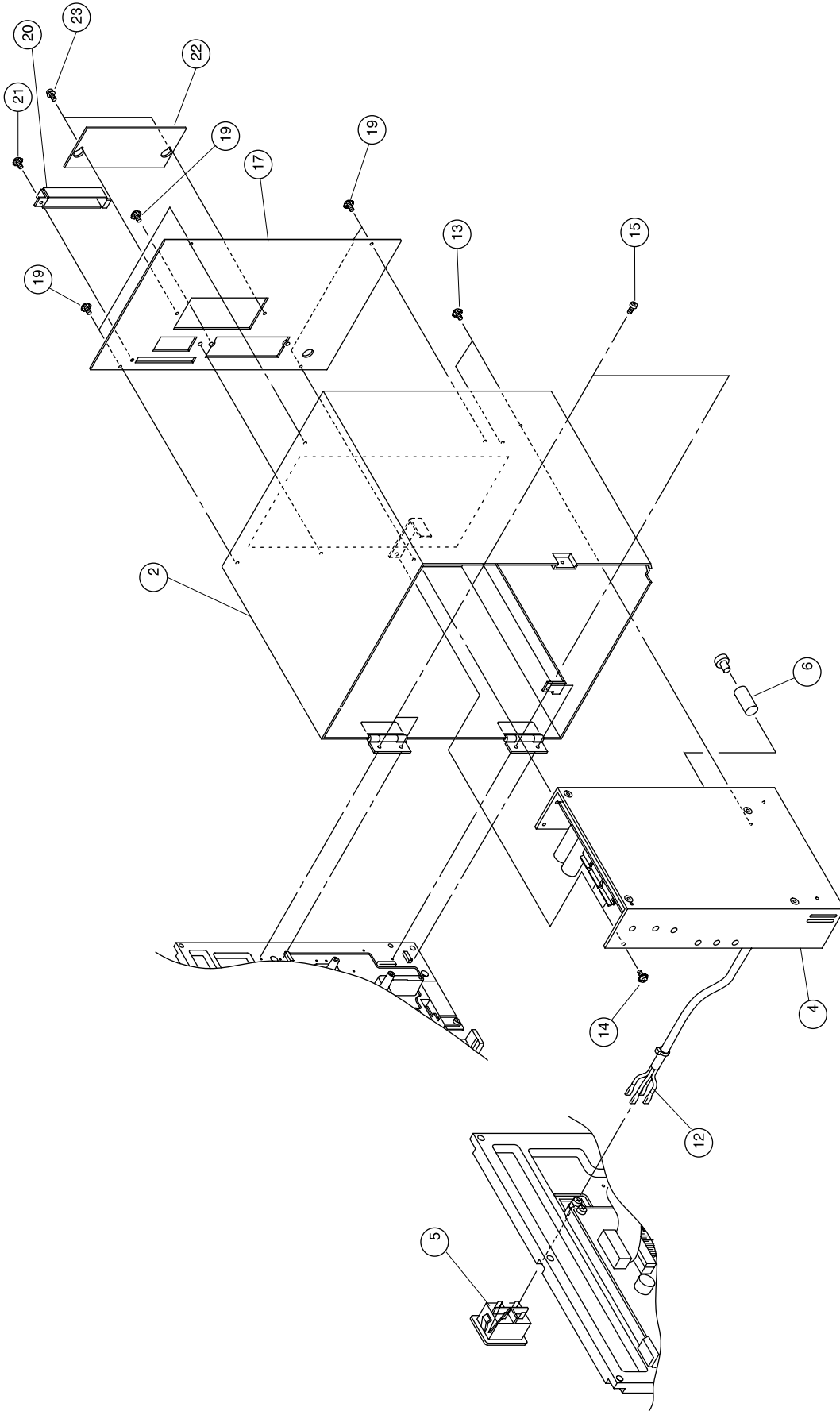
ITEM NO.	CODE	DESCRIPTION	QTY
62	PA3731700	LATCH HANDLE	1
63	PB0730900	SHAFT (LATCH)	1
64	PC2730100	SPRING (LATCH)	1
66	ND0020030	E-SNAP RING	2
68	PA3731200	SENSOR BR (PITCH)	1
70	MD4300622	PAN HEAD SCREW	2
71	MJ9300622	THIN HEAD SCREW	2
72	RH1731000	SEN2 CABLE	1
75	MN0300624	HEX SOCKET SCREW	2
77	PA3731000	PAPER LID (UPPER)	1
79	MA0301022	PAN HEAD SCREW	2
80	MT1300522	HEX NUT	2
82	PE2730300	STOPPER COLLAR	2
83	PC1730300	SPRING (PRESSURE)	2
84	PA3731300	ROLLER BRACKET	1
85	MA0300422	PAN HEAD SCREW	2
93	PB0730800	SHAFT (PRESSURE ROLLER)	1
95	PE3720200	ROLLER	4
96	PE3720500	ROLLER	4
98	MC0300622	PAN HEAD SCREW	2
99	MN0300824	HEX SOCKET SCREW	2
100	MN0400824	HEX SOCKET SCREW	2
102	PA3732700	MICRO SWITCH BRACKET	1
103	MD3201221	PAN HEAD SCREW	2
104	PA1732300	NUT PLATE	1

Pressure Roller Assembly

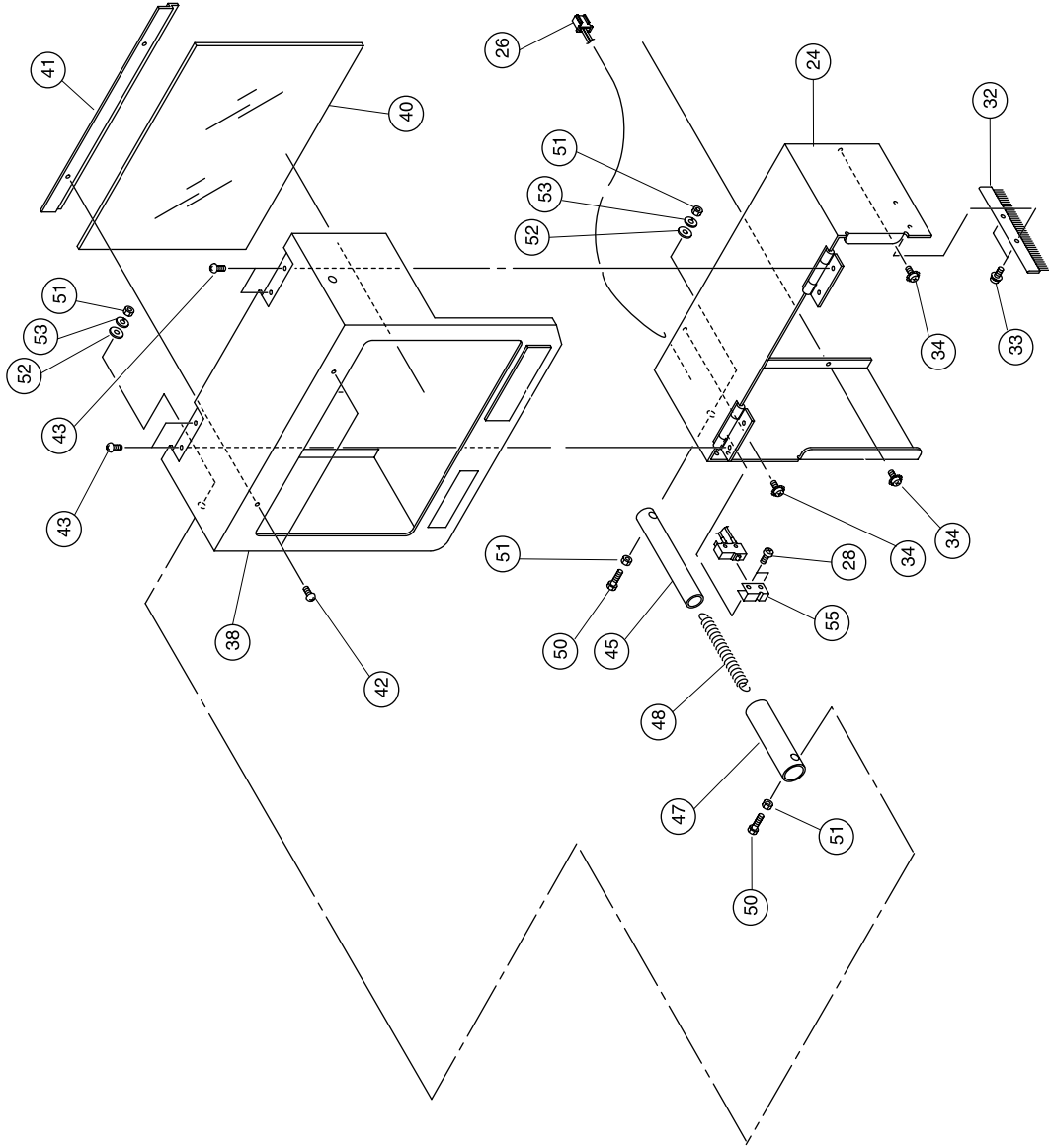


ITEM NO.	CODE	DESCRIPTION	QTY
2	PL1730900	ROLLER HOLDER (PRESSURE)	1
4	PB0731800	PRESSURE ROLLER	1
5	PT1108040	BALL SUPPORTER	2
7	PA4730300	PLATE SPRING	4
8	MJ9300622	THIN HEAD SCREW	4
10	PR1732800	PLATE (HOLDER) (F)	1
11	PR1732900	PLATE (HOLDER) (R)	1
13	MA1300822	FLAT HEAD SCREW	4
15	PB0733601	SCREW (HOLDER)	1
17	PE2730600	COLLAR	1

Cover Assembly



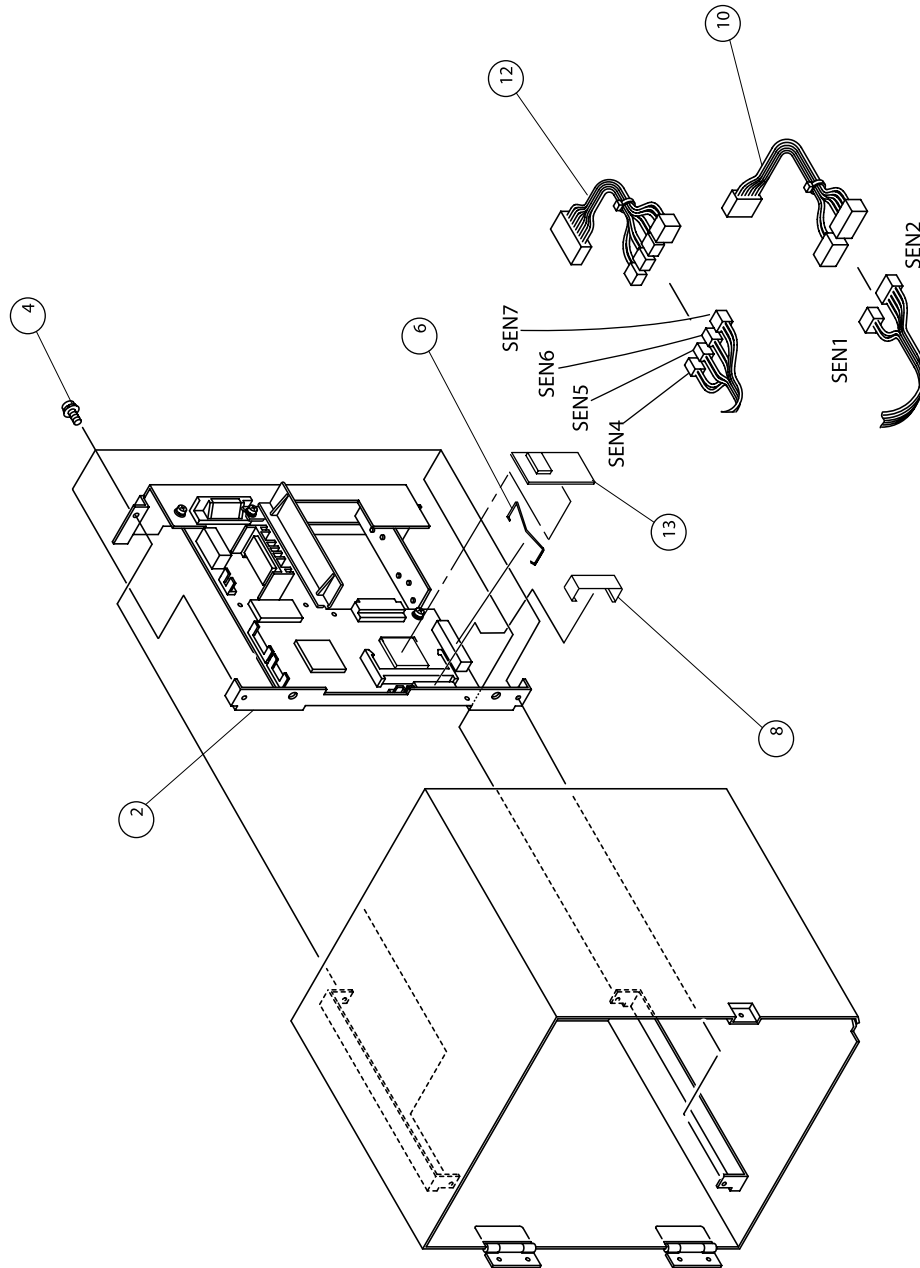
Cover Assembly



Cover Assembly

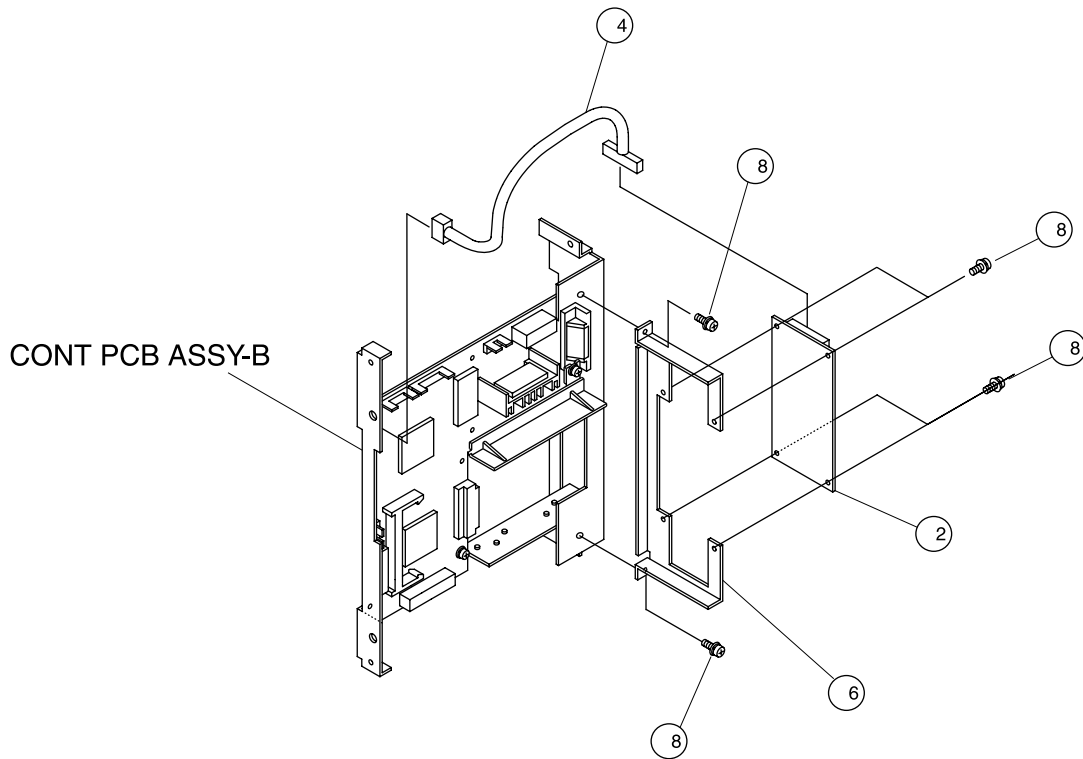
ITEM NO.	CODE	DESCRIPTION	QTY
2	PH1731701	CLOSE COVER (A)	1
4	PR7730301	POWER SUPPLY	1
5	GA300161A	POWER SWITCH	1
6	HD100311A	FUSE	1
12	RH1730500	POW/SW CABLE	1
13	MC0301022	PAN HEAD SCREW	2
14	MC0401022	PAN HEAD SCREW	1
15	MC0301022	PAN HEAD SCREW	4
17	PH1732600	CLOSE COVER (B)	1
19	MC0300622	PAN HEAD SCREW	5
20	PH1732800	SUB COVER	1
21	MC0300622	PAN HEAD SCREW	1
22	PH1732000	CLOSE COVER (C)	1
23	MD4300822	PAN HEAD SCREW	2
24	PR1731000	COVER BRACKET	1
26	RH1730800	SEN6 CABLE	1
28	MA0200821	PAN HEAD SCREW	2
32	PR1340500	ANTI STATIC BRUSH	1
33	MD4300622	PAN HEAD SCREW	2
34	MC0301022	PAN HEAD SCREW	3
38	PH1730601	OPEN COVER (A)	1
40	PH2730100	OPEN COVER (B)	1
41	PH1730700	SET PLATE	1
42	MA7300625	TRUSS SCREW	2
43	MA7300625	TRUSS SCREW	4
45	PE6730300	SP CASE (A)	1
47	PE6730400	SP CASE (B)	1
48	PC0090300	SPRING (COVER)	1
50	PB0013700	SPRING SHAFT	2
51	MT3020621	HEX NUT	4
52	NA1060022	PLAIN WASHER	2
53	NB0060022	SPRING WASHER	2
55	PA6730300	COVER (SEN6)	1

Main PCB Assembly



ITEM NO.	CODE	DESCRIPTION	QTY
2	RJ1733100	MAIN PCB ASSEMBLY	1
4	MD4300622	PAN HEAD SCREW	4
6	PC9730100	SPRING (LOCK)	1
8	PA3739900	CONNECTOR LOCK	1
10	RH1727300	PITCH SENSOR RELAY CODE SET	1
12	RH1735100	SENSOR RELAY CODE SET B	1
13	RJ7770200	MEMORY PCB ASSEMBLY	1

Check PCB Assembly



ITEM NO.	CODE	DESCRIPTION	QTY
2	RJ4731200	CHECK PCB	1
4	RH4730000	CHECK CABLE SET	1
6	PA3736600	PCB BRACKET	1
8	MD4300822	PAN HEAD SCREW	6