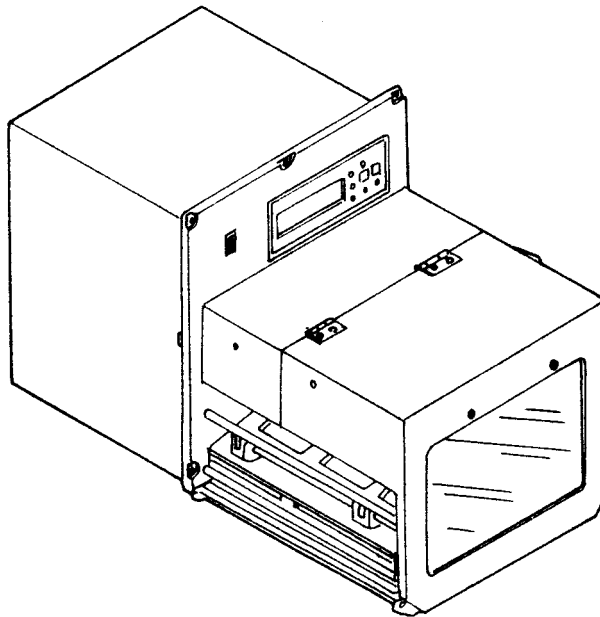




M8490S/ Opposite Hand Parts List



**SATO America, Inc.
10350-A Nations Ford Rd.
Charlotte, NC 29708
Tel (704) 644-1650
Fax (704) 644-1662**

P/N 9001063 REV. C

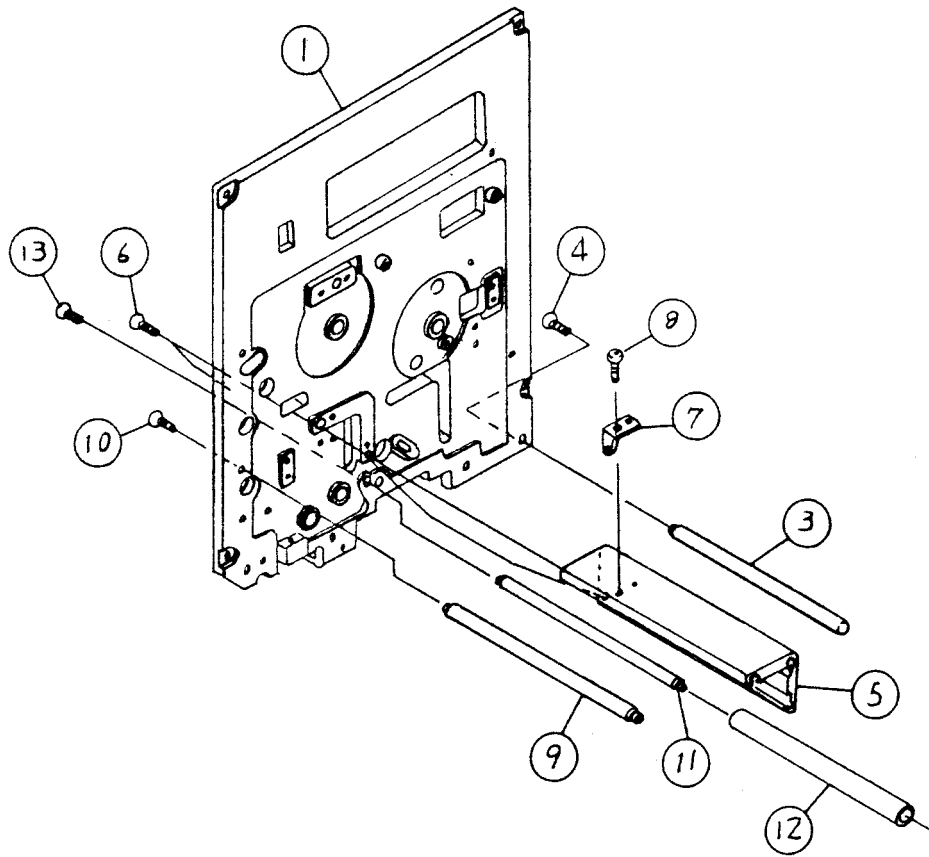
M8490S Opposite Hand

Table of Content

Frame Assembly	3-10
Thermal Head Assembly	11-14
Ribbon Assembly	15-19
Feed Roller Assembly	20-23
Pressure Roller Assembly	24-24
Cover Assembly	25-27
Main PCB Assembly	28-28
Check PCB Assembly	29-29
Memory Card PCB Assembly (Option)	30-30

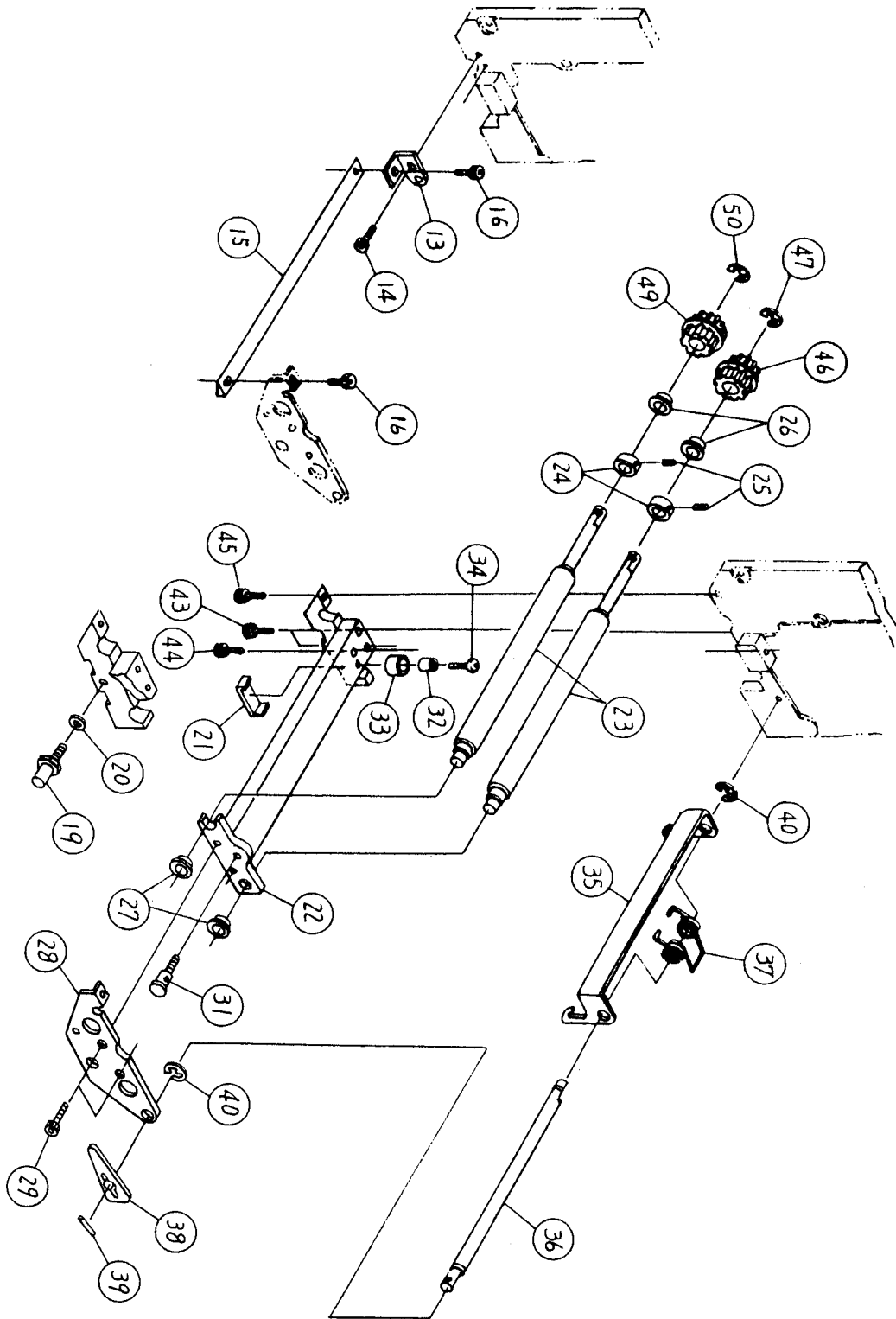
M8490S Opposite Hand

Frame Assembly



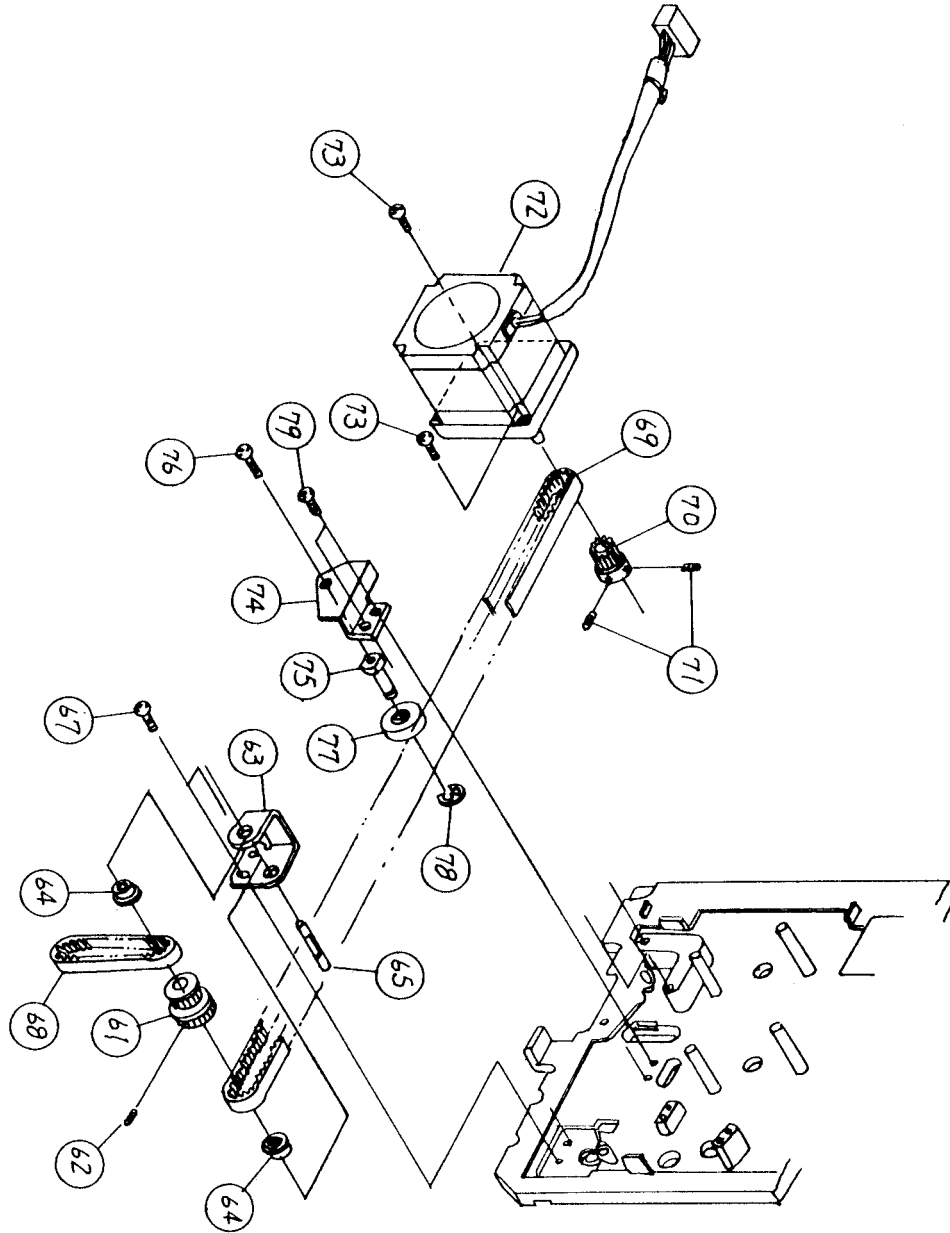
M8490S Opposite Hand

Frame Assembly



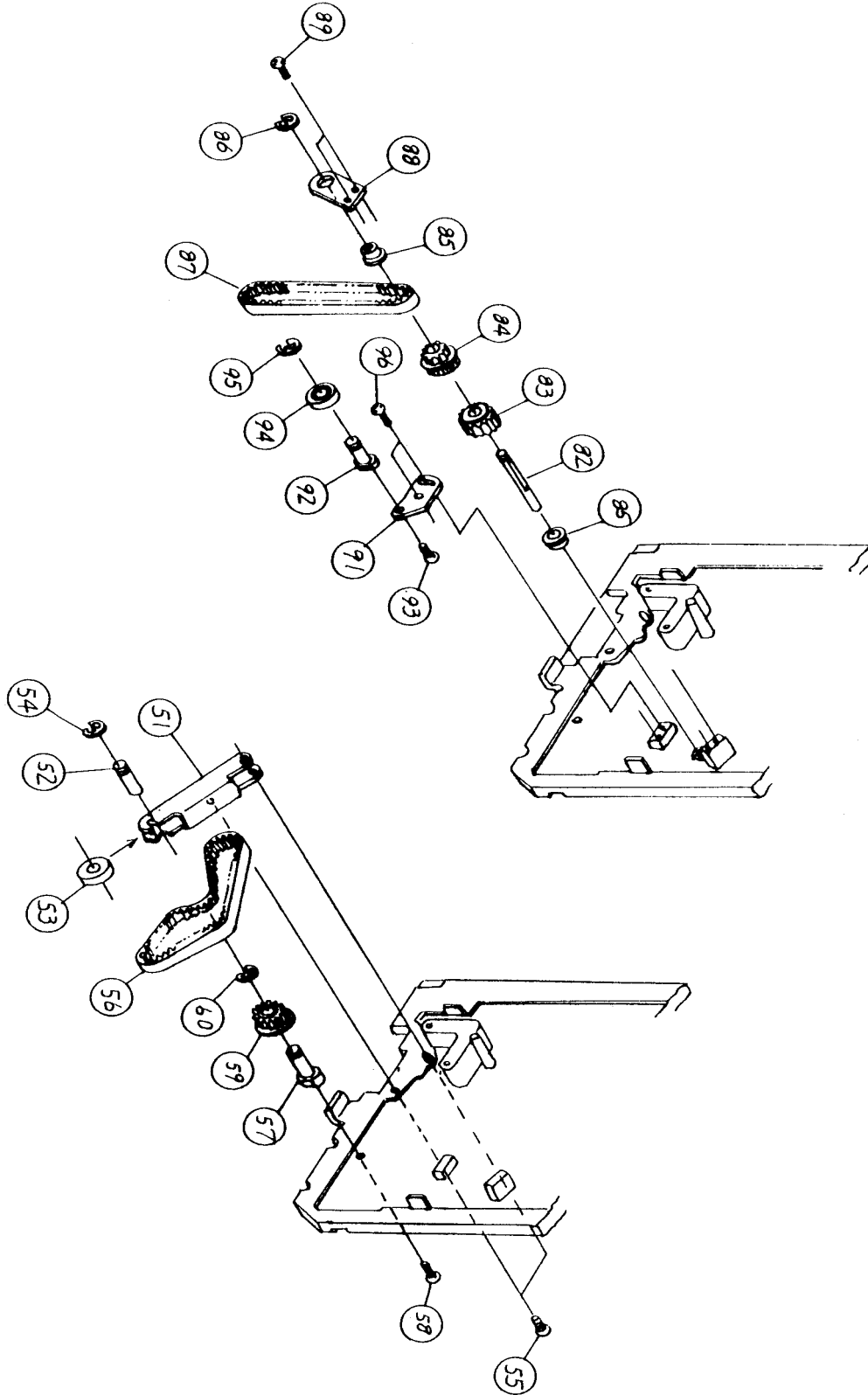
M8490S Opposite Hand

Frame Assembly



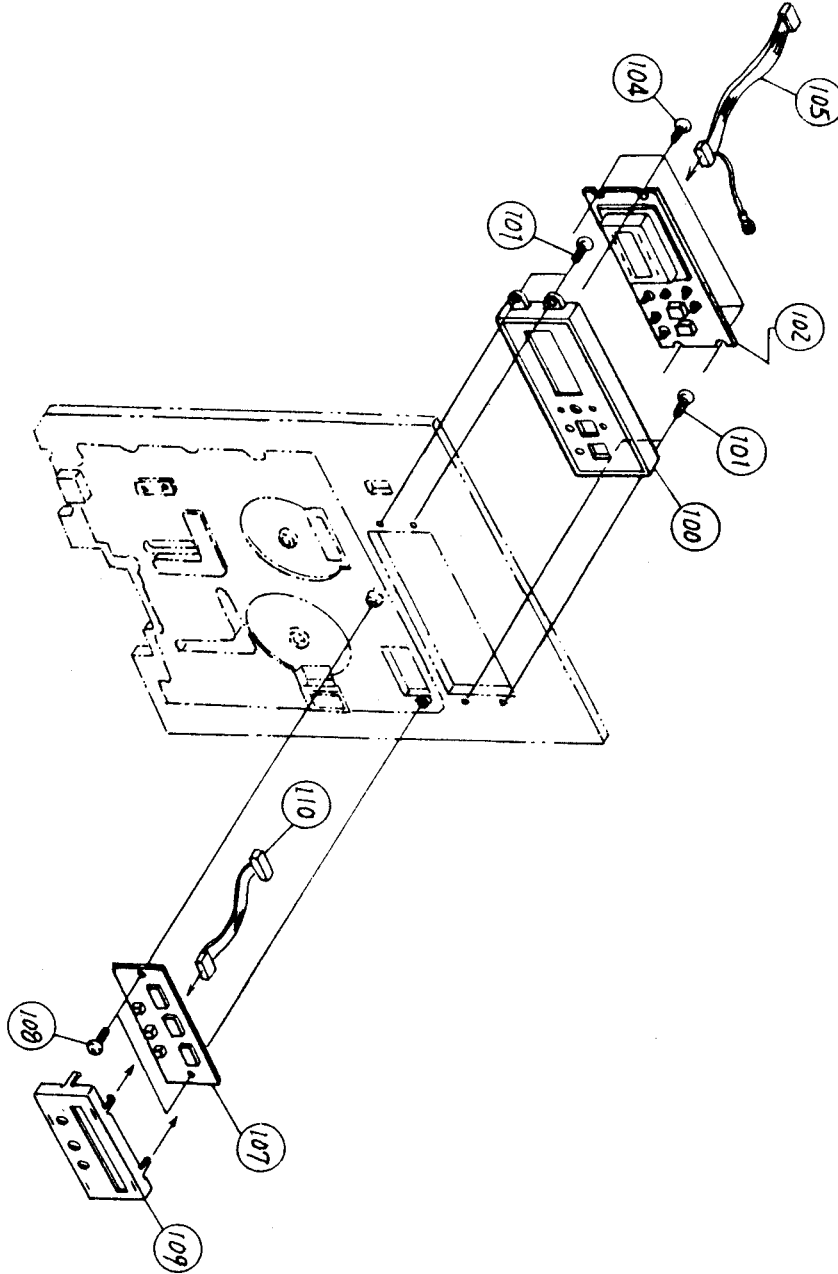
M8490S Opposite Hand

Frame Assembly



M8490S Opposite Hand

Frame Assembly



M8490S Opposite Hand

Frame Assembly			
ITEM #	Part Number	Description	QTY
1	PR1734300	Engine frame	1
3	PB0540101	Guide post	1
4	MC0401022	Pan head screw	1
5	PR1731701	Stay	1
6	MC0401222	Pan head screw	2
7	PA3732500	Spring bracket	1
8	MC0300622	Pan head screw	1
9	PB0731500	Shaft (support)	1
10	MC0401022	Pan head screw	2
11	PB0732800	Shaft (ribbon adjust)	1
12	PR1730300	Roller	1
13	PA3738400	Dispense bar bracket	1
14	MN0300824	Hex bolt	1
15	PD1731300	Dispense bar	1
16	MN0300624	Hex bolt	2
19	PB0733500	Shaft (holder)	1
20	NB0040022	Spring washer	1
21	PA4730700	Plate spring	1
22	PL1732100	Platen frame	1
23	PR0730100	Platen roller	2
24	PB2730100	Collar	2
25	MJ1300424	W-point screw	2
26	PT1112060	Ball supporter	2
27	PT1109050	Ball supporter	2
28	PA1732100	Supporter clamp	1
29	MN0400824	Hex bolt	2
31	PB0730500	Post (latch)	1
32	PB2740100	Collar	1
33	PE3720300	Roller	1
34	MJ9301022	Shin head screw	1
35	PA3736400	Latch handle (holder)	1
36	PB0735400	Shaft (latch handle)	1
37	PC3730101	Spring (latch handle)	1
38	PE1730700	Handle (C)	1
39	NG2201030	Pin	1
40	ND0030030	E-snap ring	2

M8490S Opposite Hand

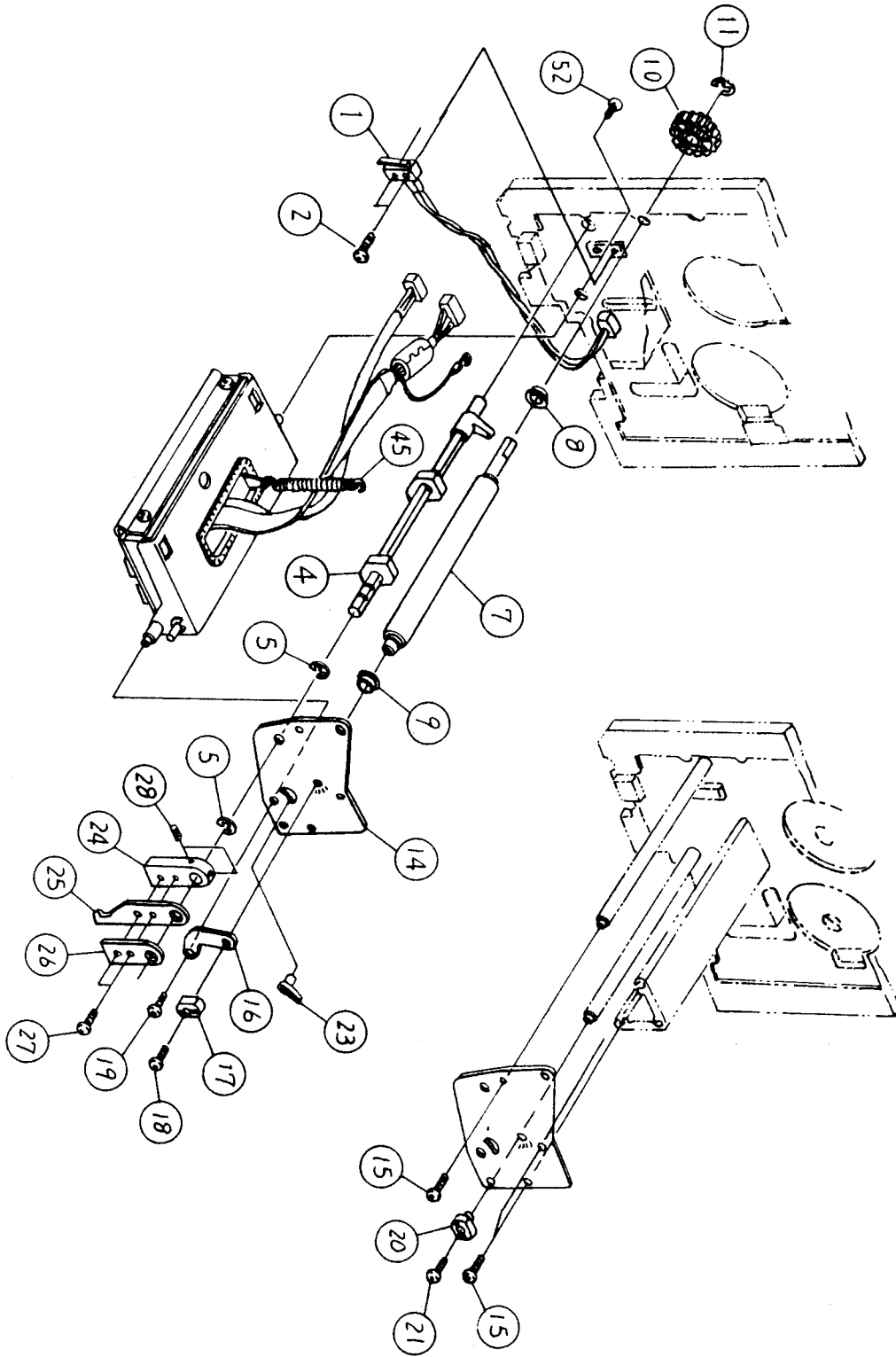
Frame Assembly			
ITEM #	Part Number	Description	QTY
43	MN0402524	Hex bolt	2
44	MN0401624	Hex bolt	1
45	MN0401024	Hex bolt	1
46	PE8730200	Pulley	1
47	ND0040030	E-snap ring	1
49	PE8730500	Pulley	1
50	ND0040030	E-snap ring	1
51	PA3735800	Pulley bracket (A)	1
52	PB0731600	Shaft (roller)	1
53	PR1732600	Tension roller	1
54	ND0040030	E-snap ring	1
55	MD4401622	Pan head screw	2
56	PT8165064	Timing belt	1
57	PB0733200	Shaft (idle)	1
58	MN0401024	Hex bolt	1
59	PR1733200	Pulley	1
60	ND0040030	E-snap ring	1
61	PR1733300	Pulley	1
62	MJ1400524	W-point screw	1
63	PA3738600	Pulley bracket	1
64	PT1112060	Ball supporter	2
65	PB0733900	Shaft (idle)	1
67	MD4400822	Pan head screw	2
68	PT8074064	Timing belt	1
69	PT8150064	Timing belt (motor)	1
70	PL1720100	Motor pulley	1
71	MJ1400524	W-point screw	2
72	RH1733600	STP cable	1
73	MC0401222	Pan head screw	2
74	PA3738700	Pulley bracket (C)	1
75	PB0730600	Post (tension)	1
76	MD4400822	Pan head screw	1
77	PR1730600	Tension roller	1
78	ND0040030	E-snap ring	1
79	MD4300822	Pan head screw	2
82	PB0731701	Shaft (idle)	1
83	PE8730100	Gear	1

M8490S Opposite Hand

Frame Assembly			
ITEM #	Part Number	Description	QTY
84	PE8730300	Pulley	1
85	PT1112060	Ball supporter	2
86	ND0040030	E-snap ring	1
87	PT8150064	Timing belt (motor)	1
88	PA1730500	Shaft (bracket)	1
89	MC0401022	Pan head screw	2
91	PA1730700	Tension bracket	1
92	PB0730600	Post (tension)	1
93	MD4400822	Pan head screw	1
94	PR1730600	Tension roller	1
95	ND0040030	E-snap ring	1
96	MD4300822	Pan head screw	2
100	PR4730501	Key board cover	1
101	MD4301222	Pan head screw	4
102	RJ2730200	KB PCB	1
104	MH0300821	P-tight screw	4
105	RH1731300	PSW cable	1
107	RJ2730100	DSW PCB	1
108	MD3300822	Pan head screw	2
109	PH0730200	DSW cover	1
110	RH1731600	DSW cable	1

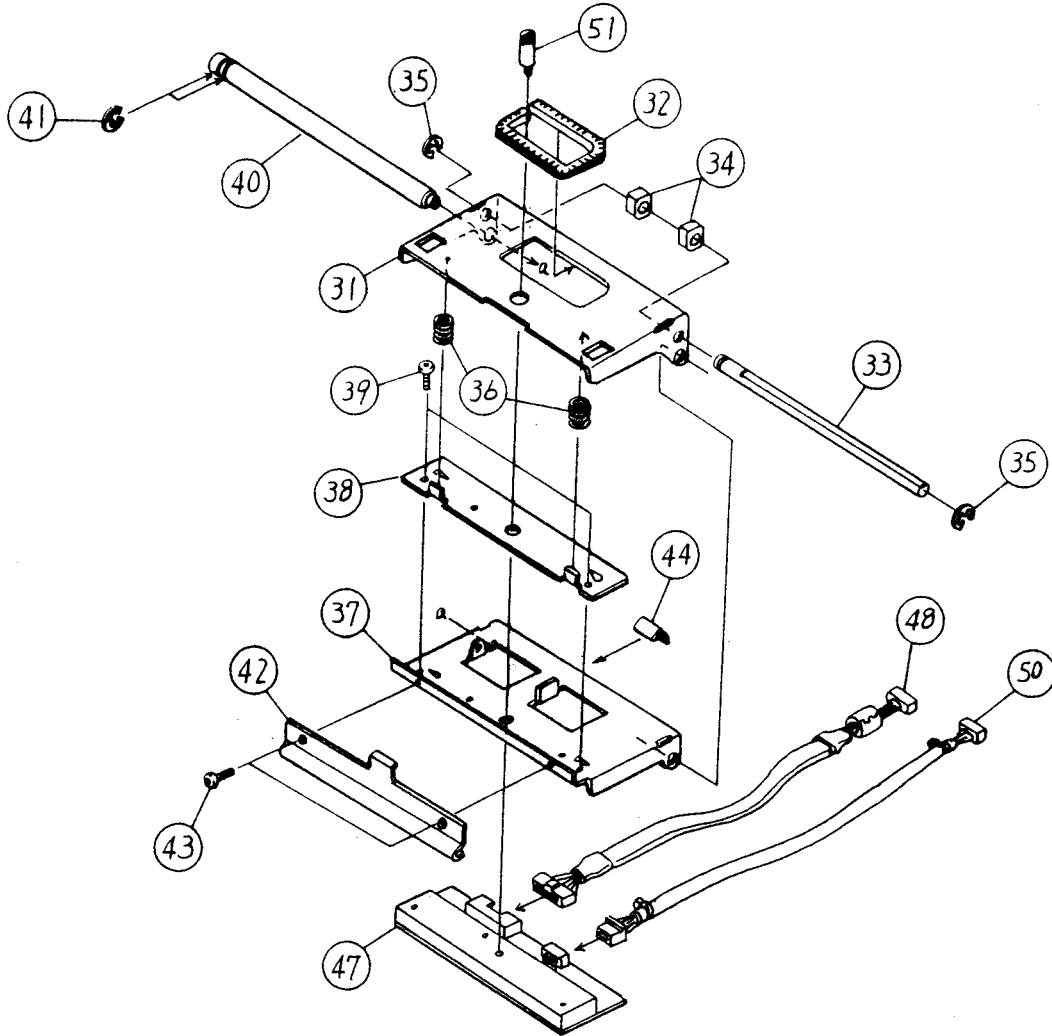
M8490S Opposite Hand

Thermal Head Assembly



M8490S Opposite Hand

Thermal Head Assembly



M8490S Opposite Hand

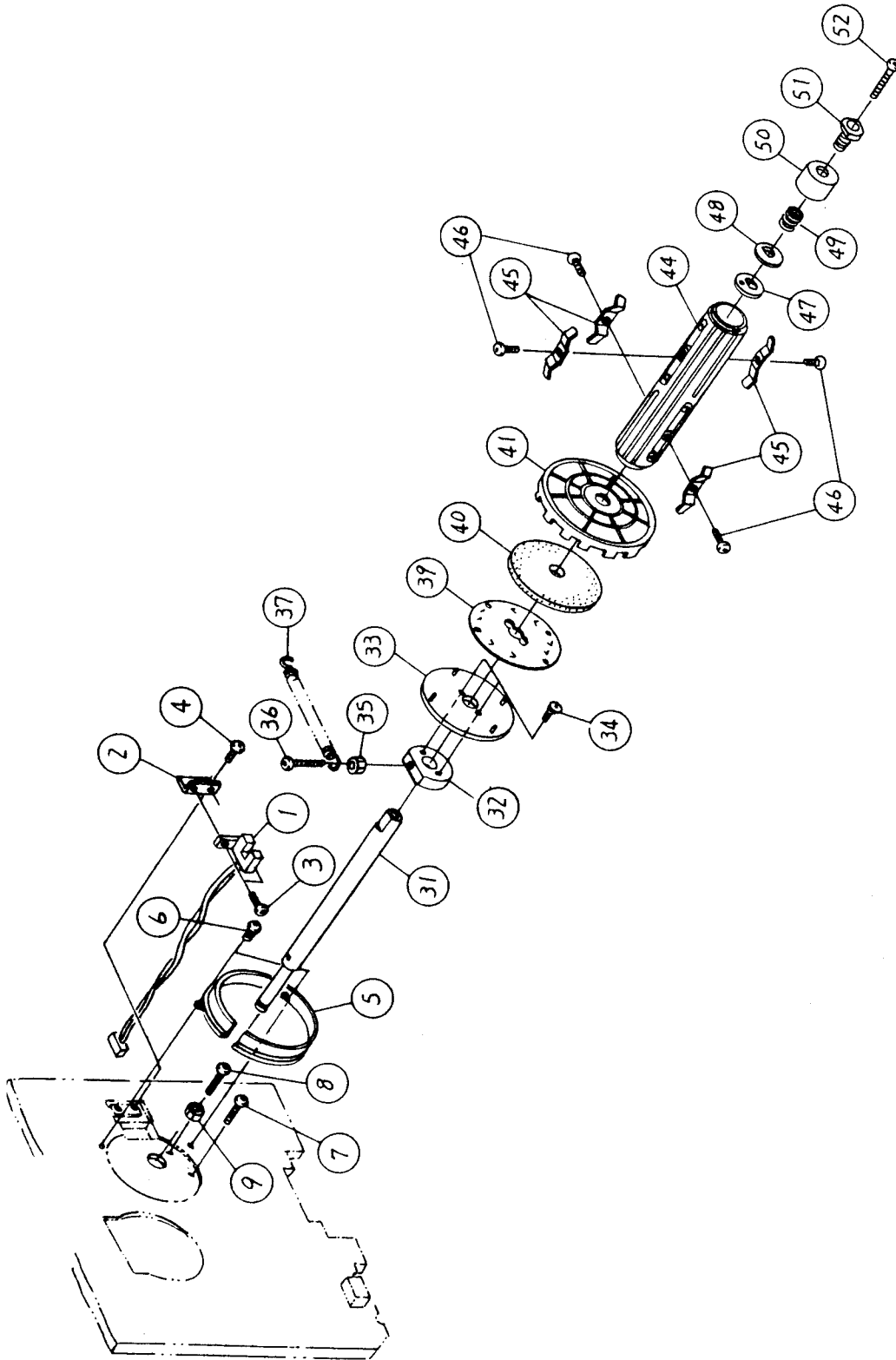
Thermal Head Assembly			
ITEM #	Part Number	Description	QTY
1	RH1731100	SEN 5 CABLE	1
2	MD3201221	Pan head screw	2
4	PR1734201	Pressure cam	1
5	ND0060030	E-snap ring	2
7	PR0730200	Feed roller	1
8	PT1112060	Ball supporter	1
9	PT1109050	Ball supporter	1
10	PE8730100	Gear	1
11	ND0040030	E-snap ring	1
14	PA2730500	Head frame	1
15	MC0401022	Pan head screw	3
16	PA1730300	Plate (adjust)	1
17	PL2720100	Adjust collar	1
18	MD4300822	Pan head screw	1
19	MC0401022	Pan head screw	1
20	PL2730100	Adjust collar	1
21	MD4401022	Pan head screw	1
23	PE1730400	Handle (B)	1
24	PD1730600	Handle (A)	1
25	PA2730600	Latch handle (C)	1
26	PD1731200	Handle (B)	1
27	MD4301022	Pan head screw	2
28	MJ1300424	W-point screw	2
31	PA3738800	Head bracket (UP)	1
32	PV9730200	Bush	1
33	PB0735500	Shaft (adjust cam)	1
34	PE1730300	Adjust cam	2
35	ND0050030	E-snap ring	2
36	PC1730200	Spring (head)	2
37	PA3738900	Head bracket (low)	1
38	PR1734500	Adjust plate (head)	1
39	MD4300622	Pan head screw	2
40	PB0733300	Shaft (head bracket)	1
41	ND0070030	E-snap ring	2
42	PA3732100	Ribbon plate	1
43	MD3250522	Pan head screw	2

M8490S Opposite Hand

Thermal Head Assembly			
ITEM #	Part Number	Description	QTY
44	PA4730401	Plate spring (head cam)	1
45	PC0730200	Spring (head open)	1
47	GH000521A	Thermal head	1
48	RH1731200	HDS cable	1
50	RH1730300	HDP cable	1
51	PB5730300	Screw (head)	1
52	MC0401022	Pan head screw	1

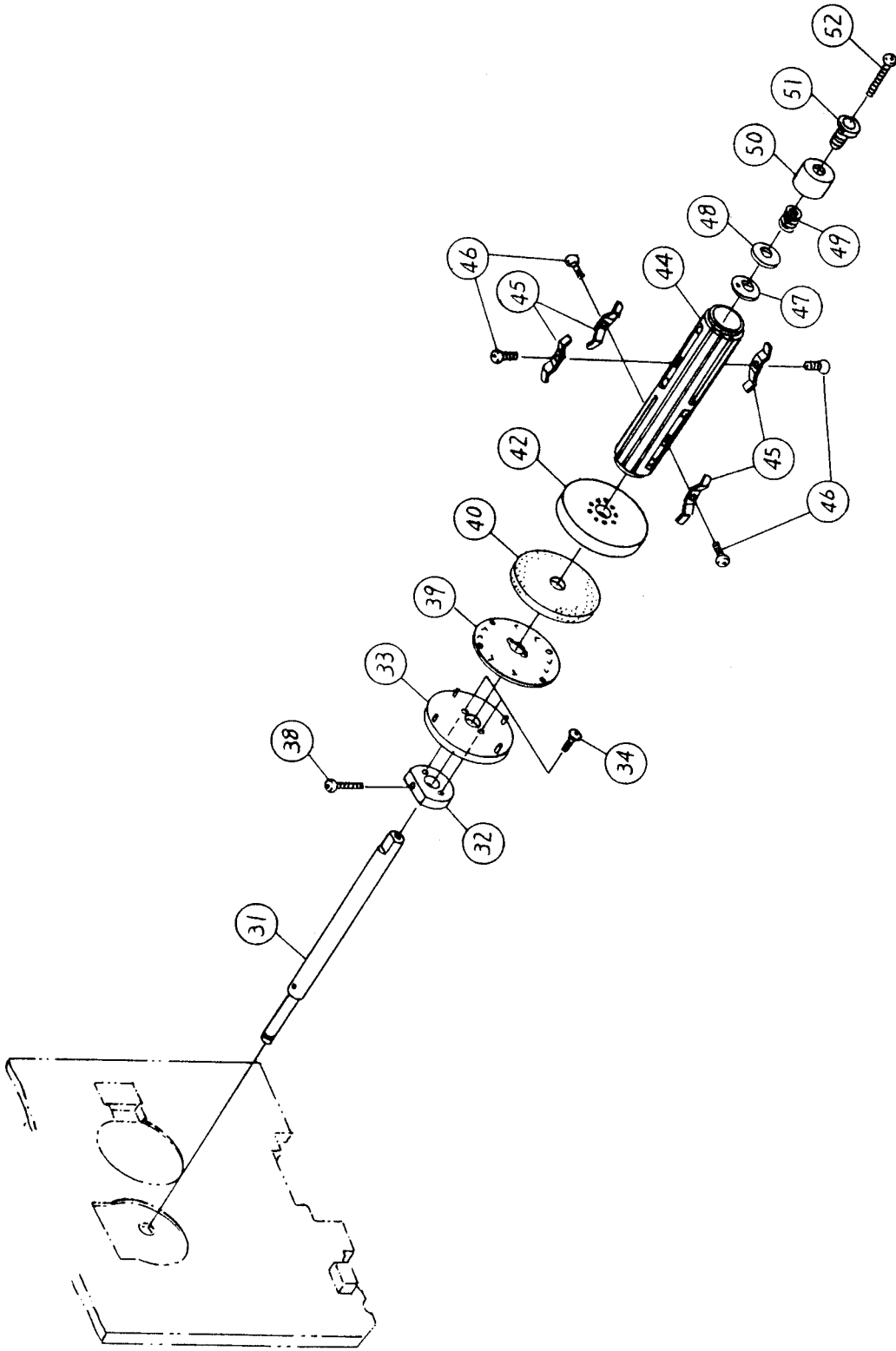
M8490S Opposite Hand

Ribbon Assembly



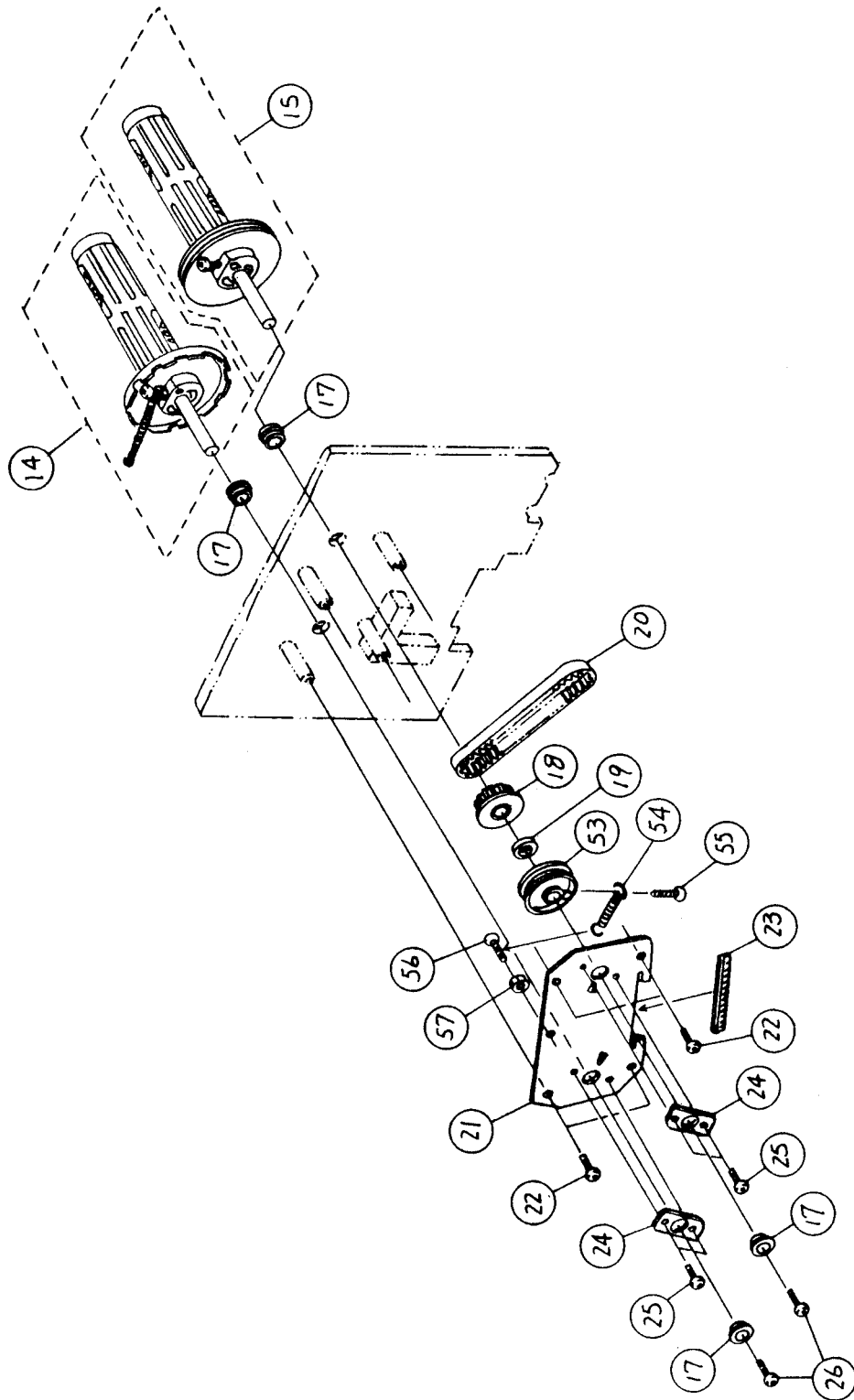
M8490S Opposite Hand

Ribbon Assembly



M8490S Opposite Hand

Ribbon Assembly



M8490S Opposite Hand

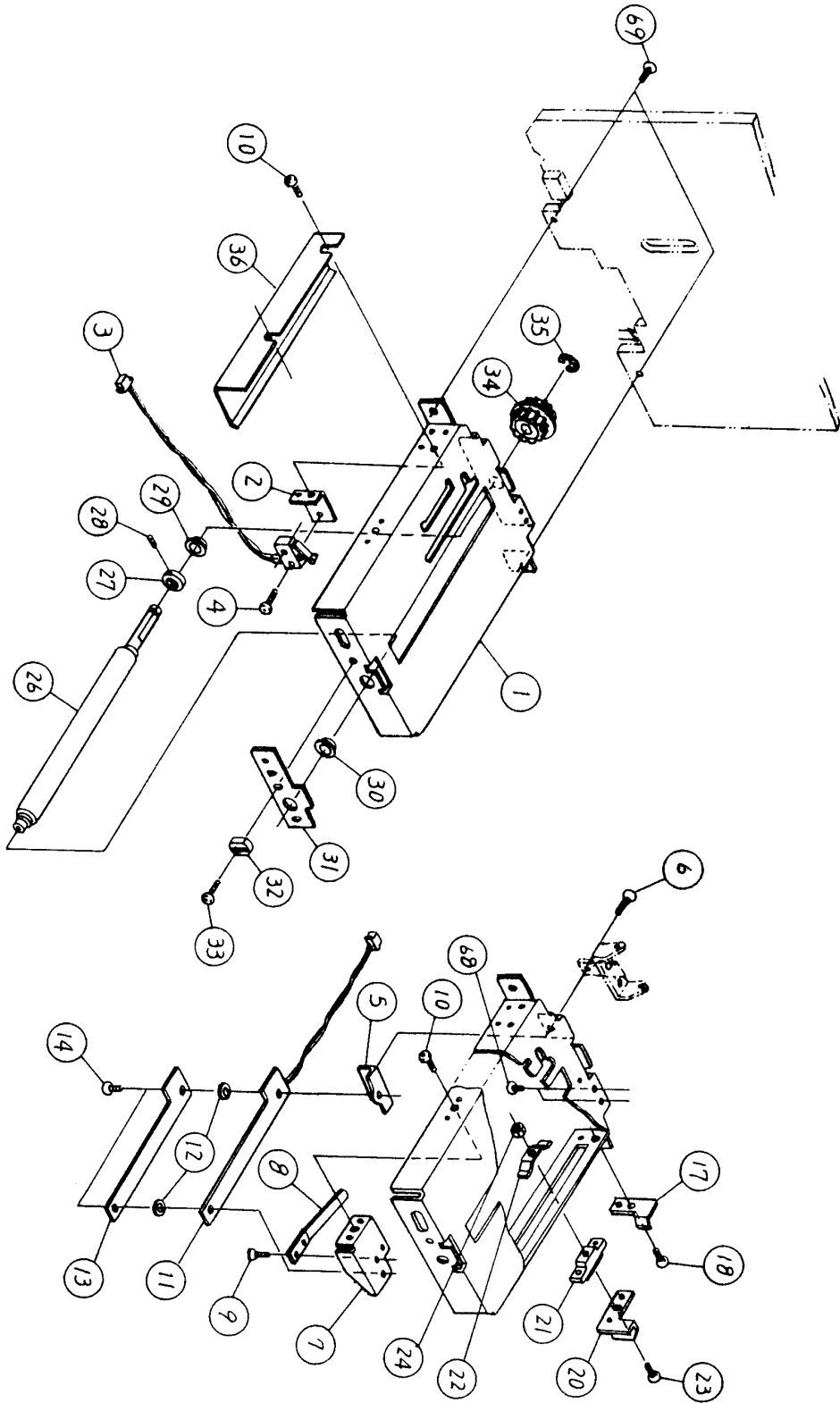
Ribbon Assembly			
ITEM #	Part Number	Description	QTY
1	RH1730400	SEN4 cable	1
2	PA3730200	Sensor bracket (ribbon)	1
3	MA0300622	Pan head screw	2
4	MC0301022	Pan head screw	1
5	PV2730500	Disc plate cover	1
6	MD4300622	Pan head screw	2
7	MD3300822	Pan head screw	1
8	MA0301022	Pan head screw	1
9	MT1300522	Hex nut	1
14	RC2730200	Ribbon sub (unwind)	1
15	RC2730300	Ribbon sub (rewind)	1
17	PT1112080	Ball supporter	4
18	PR1730800	Pulley	1
19	PB2691100	Ribbon shaft collar	1
20	PT8085048	Timing belt	1
21	PA1731800	Ribbon frame	1
22	MC0401022	Pan head screw	4
23	PV9730100	Bush	1
24	PA1731000	Adjust plate	2
25	MD4300622	Pan head screw	4
26	MD4400822	Pan head screw	2
31	PB0731200	Shaft (ribbon)	2
32	PE4720200	Plate holder boss	2
33	PA0730100	Guide plate	2
34	MH1250621	P-tight screw	4
35	MT1300522	Hex nut	1
36	MA0302522	Pan head screw	1
37	PC0730100	Spring (back)	1
38	MA0301821	Pan head screw	1
39	PA0730200	Hold plate	2
40	PA0680300	Lining	2
41	PE7720100	Disc plate (A)	1
42	PE1681100	Guide plate (B)	1
44	PR1730900	Ribbon boss	2
45	PA4690900	Spring	8
46	MH0300521	P-tight screw	8
47	PT2301020	Dry metal washer	2

M8490S Opposite Hand

Ribbon Assembly			
ITEM #	Part Number	Description	QTY
48	PA0680400	Disc	2
49	PC1730100	Spring (ribbon)	2
50	PE2730100	Stopper collar	2
51	PB5730100	Adjust screw	2
52	MA0303022	Pan head screw	2
53	PR1734400	Pulley	1
54	PC0740200	Spring (back)	1
55	MH0300821	P-tight screw	1
56	MA0401622	Pan head screw	1
57	MT1400722	Hex nut	1

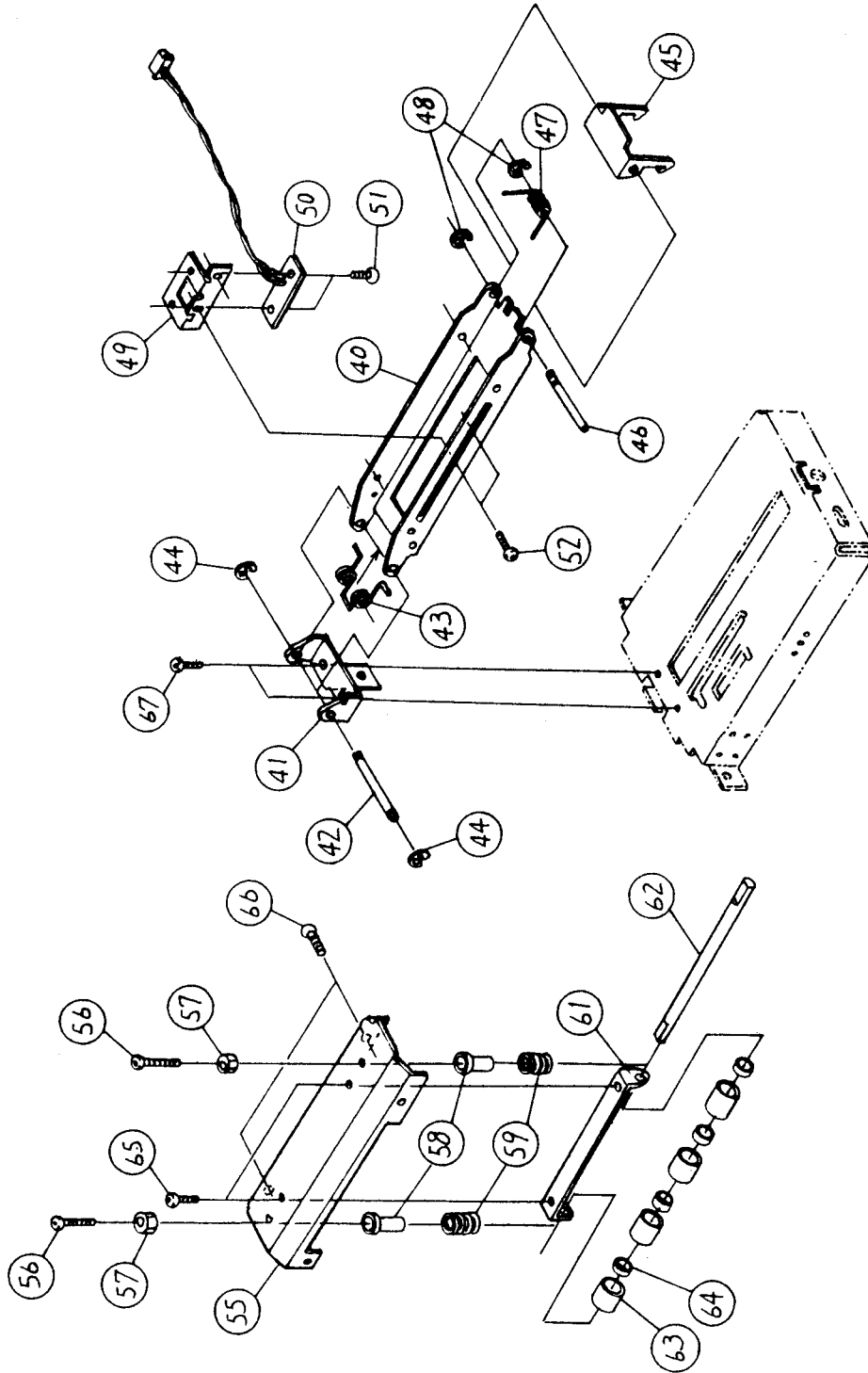
M8490S Opposite Hand

Feed Roller Assembly



M8490S Opposite Hand

Feed Roller Assembly



M8490S Opposite Hand

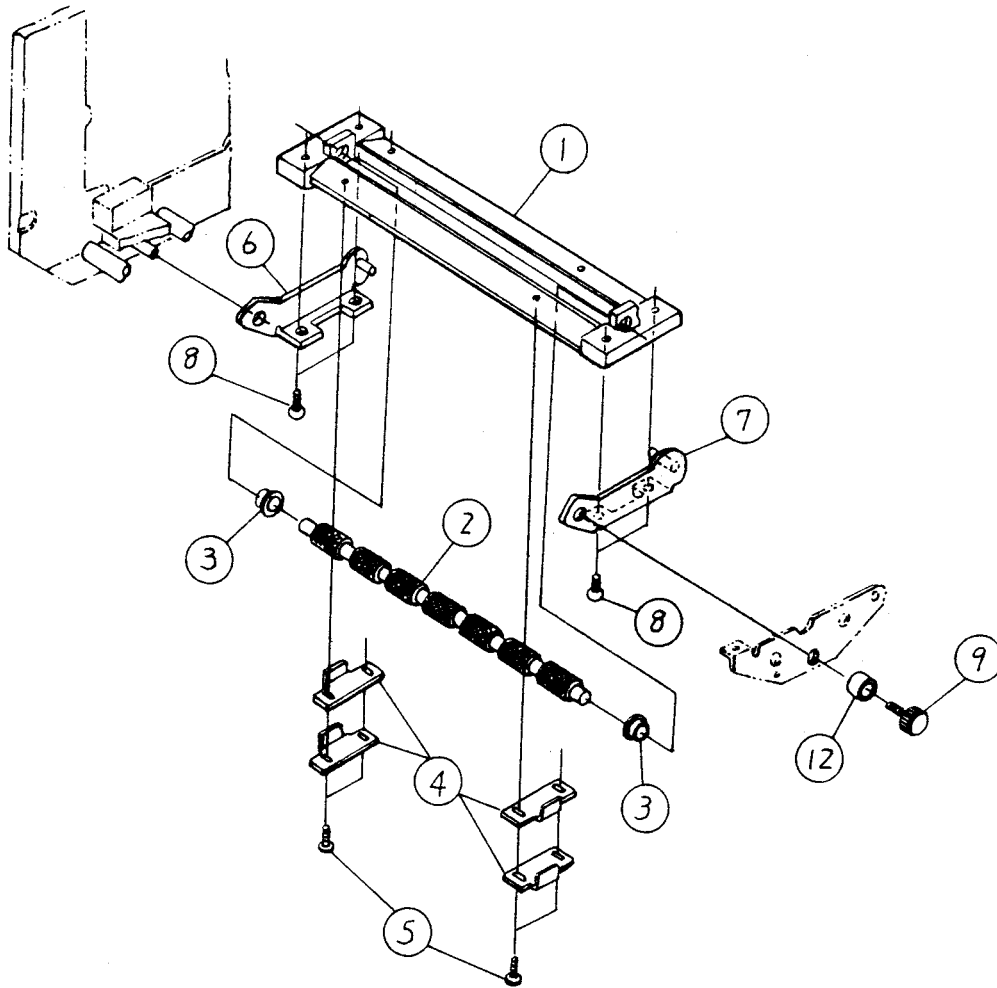
Feed Roller			
ITEM #	Part Number	Description	QTY
1	PR4730602	Paper guide bracket	1
2	PA3734100	Micro switch bracket	1
3	RH1731500	SEN 7 cable	1
4	MA0200821	Pan head screw	2
5	PA3733900	PCB bracket (C)	1
6	MC0300622	Pan head screw	1
7	PA3734000	PCB bracket (D)	1
8	PA4730200	Lift spring	1
9	MD4300622	Pan head screw	1
10	MD4300622	Pan head screw	2
11	RH1737000	SEN 1 cable	1
12	PT9680500	Spacer	2
13	PA1730800	PCB protector	1
14	MD4300822	Pan head screw	2
17	PA3731400	Paper guide (R)	1
18	MJ9300622	Thin head screw	1
20	PA3734200	Slide guide	1
21	PE1730200	Slider	1
22	PA4730100	Slide spring	1
23	MA0301022	Pan head screw	1
24	MT1300522	Hex nut	1
26	PR0730100	Platen roller	1
27	PB2730100	Collar	1
28	MJ1300424	W-point screw	1
29	PT1112060	Ball supporter	1
30	PT1109050	Ball supporter	1
31	PA1731900	Supporter clamp	1
32	PL2720100	Adjust collar	1
33	MD4300822	Pan head screw	1
34	PE8730200	Pulley	1
35	ND0040030	E-snap ring	1
36	PA3735100	Paper guide	1
40	PA3734300	Paper lid (low)	1
41	PA3735200	Lid bracket	1
42	PB0731000	Shaft (lid)	1
43	PC2730200	Spring (open)	1
44	ND0020030	E-snap ring	2

M8490S Opposite Hand

Feed Roller			
ITEM #	Part Number	Description	QTY
45	PA3731700	Latch handle	1
46	PB0730900	Shaft (latch)	1
47	PC2730500	Spring (latch)	1
48	ND0020030	E-snap ring	2
49	PA3734400	Sensor bracket (pitch)	1
50	RH1732600	Sen2 cable	1
51	MJ9300622	Thin head screw	2
52	MJ9300622	Thin head screw	2
55	PA3734500	Paper lid (UP)	1
56	MA0301022	Pan head screw	2
57	MT1300522	Hex nut	2
58	PE2730300	Stopper collar	2
59	PC1730300	Spring (pressure)	2
61	PA3731300	Roller bracket	1
62	PB0730800	Shaft (pressure roller)	1
63	PE3720200	Roller	4
64	PE3720500	Roller	4
65	MA0300422	Pan head screw	2
66	MC0300622	Pan head screw	2
67	MN0300624	Hex bolt	2
68	MN0300824	Hex bolt	2
69	MN0400824	Hex bolt	2

M8490S Opposite Hand

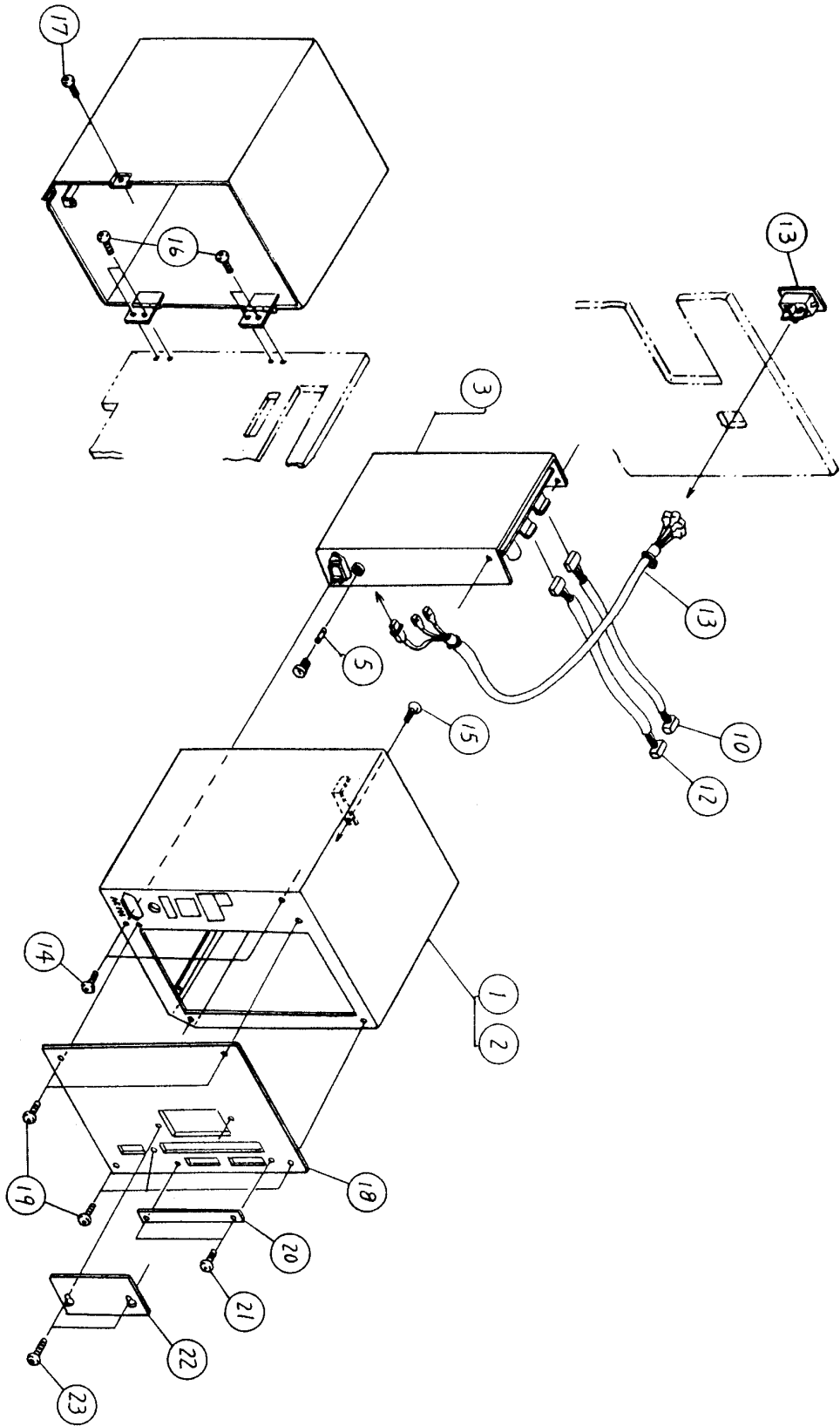
Pressure Roller Assembly



Pressure Roller Assembly			
ITEM #	Part Number	Description	QTY
1	PL1730900	Roller holder (pressure)	1
2	PB0731800	Pressure roller	1
3	PT1108040	Ball supporter	2
4	PA4730300	Plate spring	4
5	MJ9300622	Thin head screw	4
6	PR1732800	Plate holder (F)	1
7	PR1732900	Plate holder (R)	1
8	MA1300822	Flat head screw	4
9	PB0733601	Screw (holder)	1
12	PE2730600	Collar	1

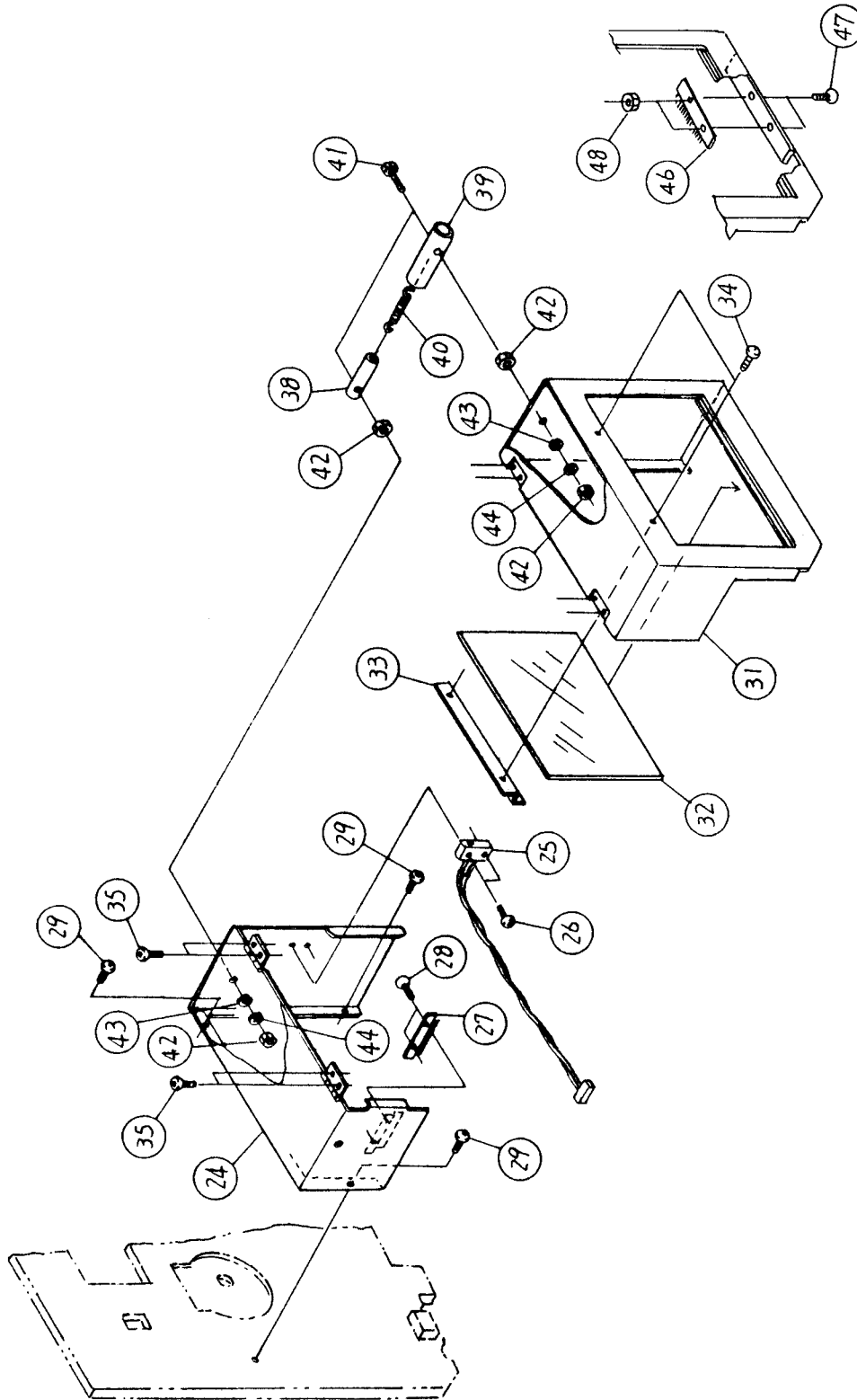
M8490S Opposite Hand

Cover Assembly



M8490S Opposite Hand

Cover Assembly

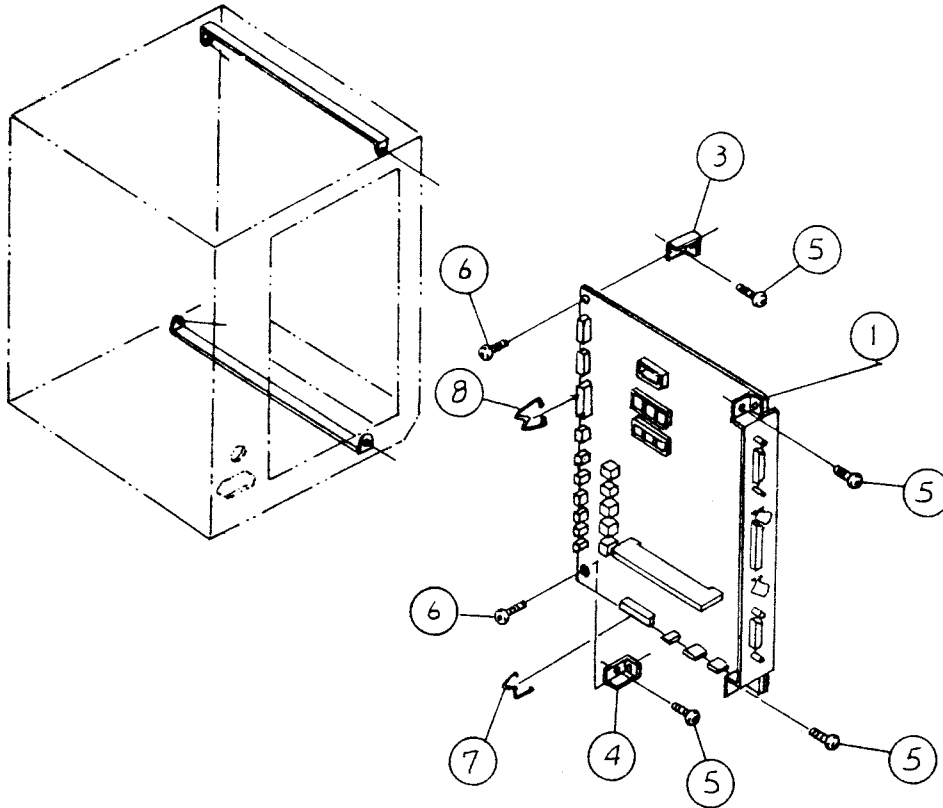


M8490S Opposite Hand

Cover Assembly			
ITEM #	Part Number	Description	QTY
1	PR4730902	Close cover (A)	1
2	PH1731002	Close cover	1
3	PR7730100	Power supply 115V	1
5	HD100301A	Fuse (UL, CSA)	1
10	RH1732000	POW1 cable	1
12	RH1732100	POW 2 cable	1
13	RH1730500	POW SW cable	1
14	MC0301022	Pan head screw	2
15	MC0401022	Pan head screw	1
16	MC0301022	Pan head screw	4
17	MC0401022	Pan head screw	1
18	PH1732200	Close cover (B)	1
19	MC0300622	Pan head screw	5
20	PA1730900	Sub cover	1
21	MC0300622	Pan head screw	2
22	PH1732000	Close cover (C)	1
23	MD4300822	Pan head screw	2
24	PH1731400	Cover bracket	1
25	PH1732700	SEN 6 cable	1
26	MA0200821	Pan head screw	2
27	PR1340500	Antistatic brush	1
28	MD4300622	Pan head screw	2
29	MC0300822	Pan head screw	3
31	PH1731600	Open cover (A)	1
32	PH2730100	Open cover (B)	1
33	PH1730700	Set plate	1
34	MA7300625	Truss screw	2
35	MA7300625	Truss screw	4
38	PE6730300	SP case (A)	1
39	PE6730400	SP case (B)	1
40	PC0090300	Cover spring	1
41	PB0013700	Spring shaft	2
42	MT3020621	Hex nut	4
43	NA1060022	Plain washer	2
44	NB0060022	Spring washer	2
46	PR1340500	Antistatic brush	1
47	MA0300625	Truss screw	2
48	MT1300522	Hex nut	2

M8490S Opposite Hand

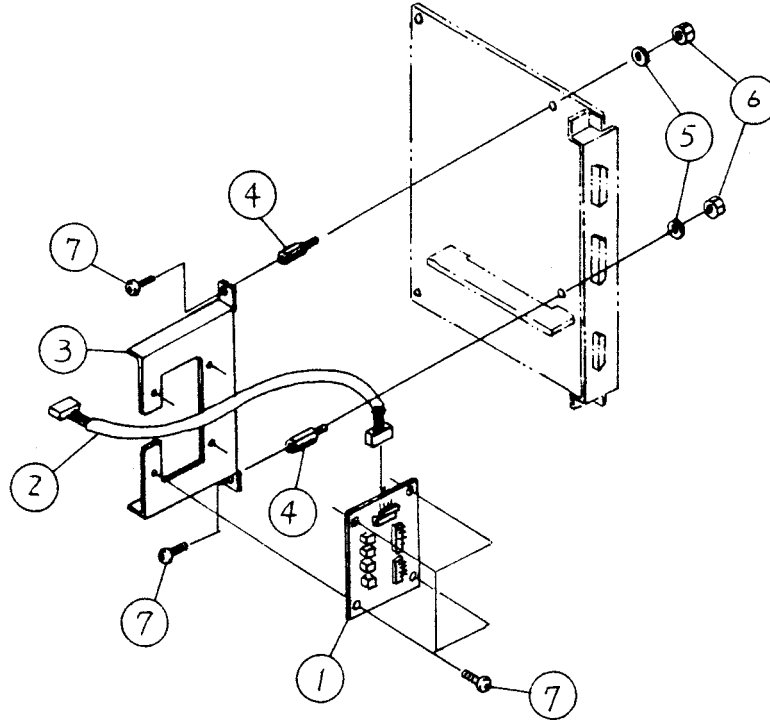
Main PCB Assembly



Main PCB Assembly			
ITEM #	Part Number	Description	QTY
1	RJ1731100	Main PCB	1
3	PA3735400	PCB bracket	1
4	PA3735500	PCB bracket	1
5	MD3301022	Pan head screw	4
6	MD4300622	Pan head screw	4
7	PC9730100	Spring (lock)	1
8	PC9680000	Lock spring	1

M8490S Opposite Hand

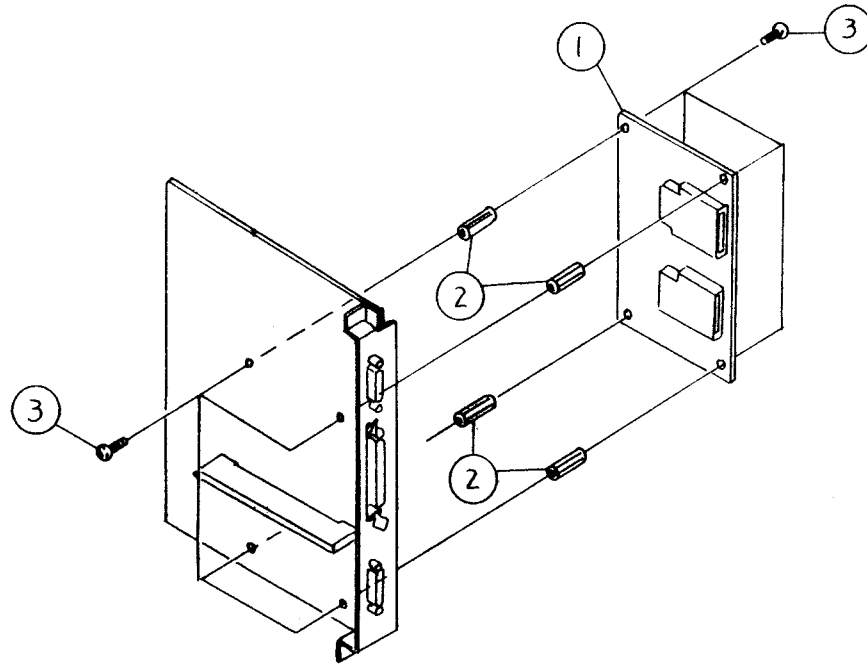
Check PCB Assembly



Check PCB Assembly			
ITEM #	Part Number	Description	QTY
1	RJ4730600	Check PCB	1
2	RH4730000	Check PCB cable	1
3	PA3736600	PCB bracket	1
4	PT9681600	Spacer	2
5	NA0030022	Plain washer	2
6	MT1300522	Hex nut	2
7	MD4300822	Pan head screw	6

M8490S Opposite Hand

Memory Card PCB Assembly (Option)



Memory Upgrade Assembly (Option)			
ITEM #	Part Number	Description	QTY
1	RJ1723100	Card PCB set	1
2	PT9730000	Spacer	4
3	MD3300622	Pan head screw	8