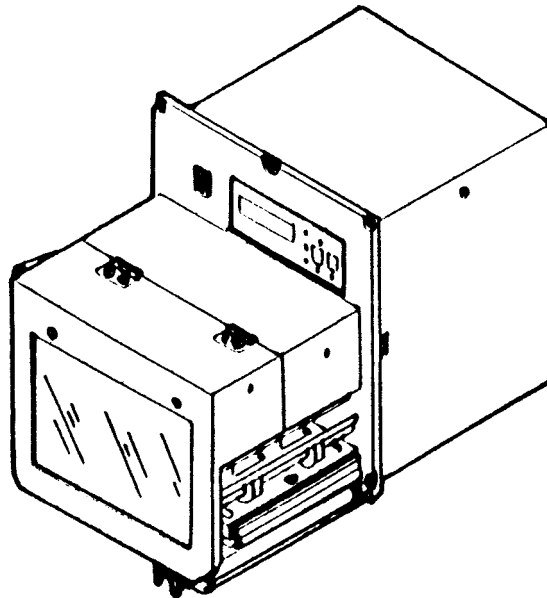




M8490S

Parts List



Please note that this list is divided into two sections. Use the second section (pages 41-76) if your printer S/N is between 50100000 and 70699999. For all other serial numbers please use the first section (pages 3-40)

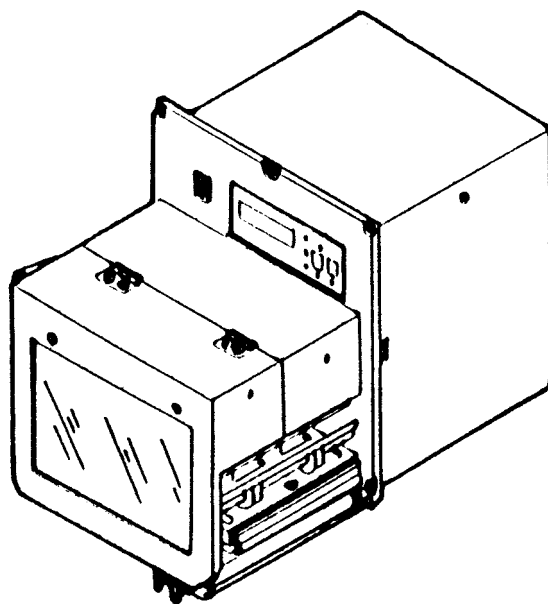
P/N 9001046 REV. D



M8490S

Parts List

(Use this section for all serial numbers other than 50100000 to 70699999)



Sato America, Inc.
10350-A Nations Ford Rd.
Charlotte, NC 29708
Phone (704) 644-1650
Fax (704) 644-1662

P/N 9001046 REV. C

**Copyright 1996
SATO America, Inc.**

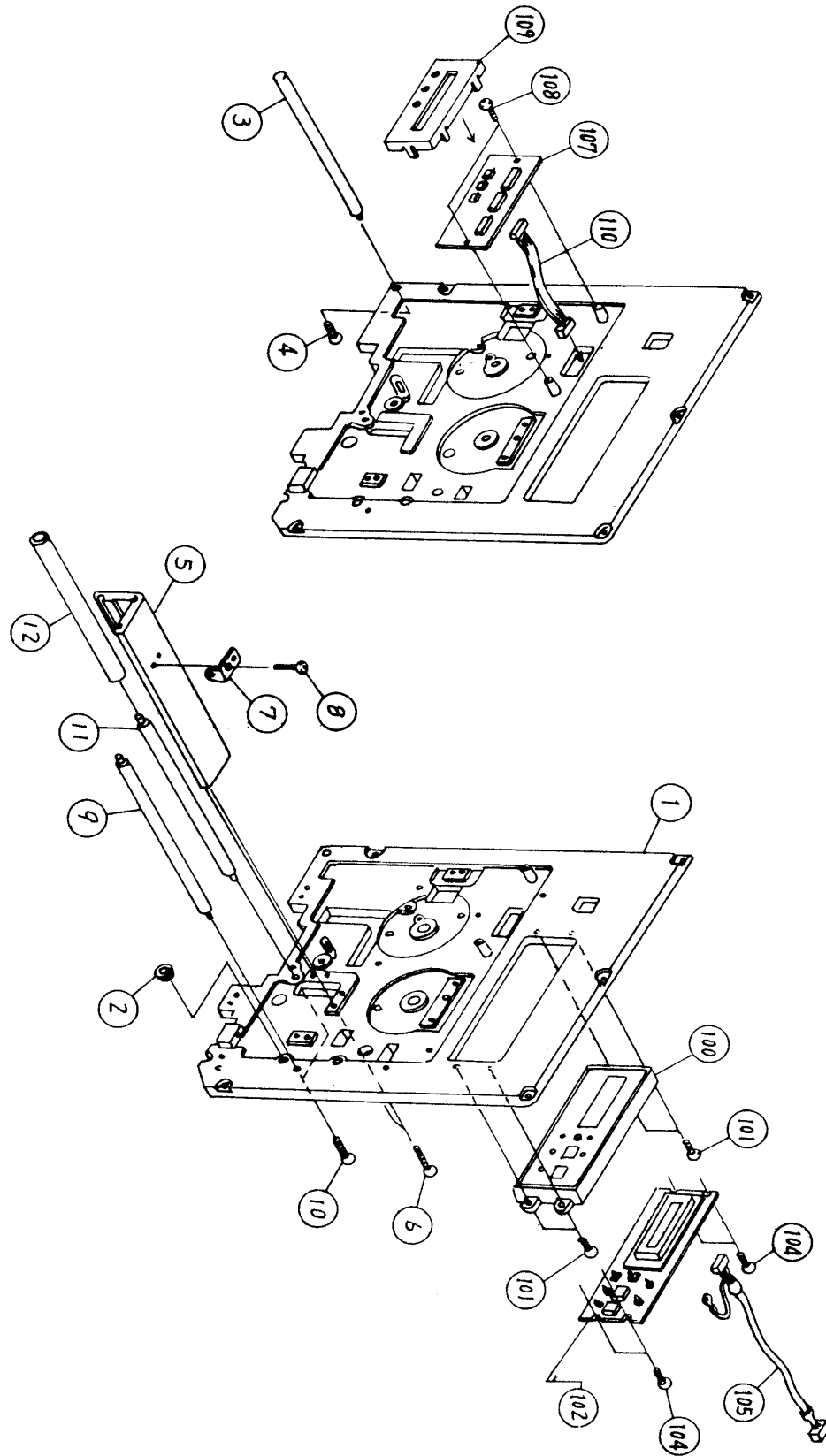
All rights reserved. No part of this document may be reproduced or issued to third parties in any form without the express permission of SATO America, Inc. The materials in this document are provided for general information and are subject to change without notice. Sato America, Inc. assumes no responsibility for any errors that may appear.

M8490S

<u>Description</u>	<u>Page #</u>
Frame Assembly	5-10
Thermal Head Assembly	11-14
Ribbon Assembly	15-19
Feed Roller Assembly	20-23
Pressure Roller Assembly	24-25
Cover Assembly	26-28
Main PCB Assembly	29-29
Check PCB Assembly	30-30
Memory Card PCB Assembly	31-31

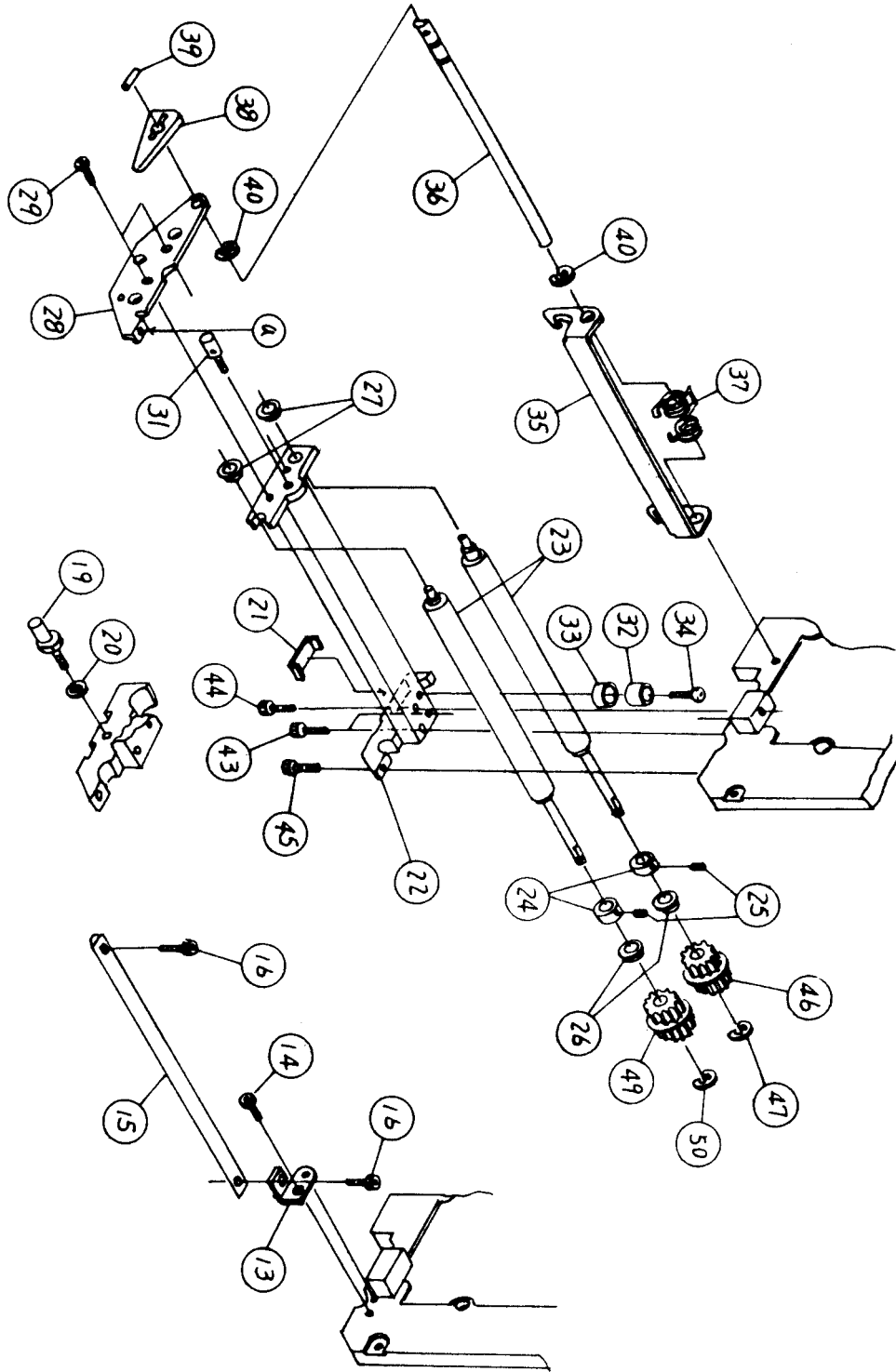
M8490S

Frame Assembly



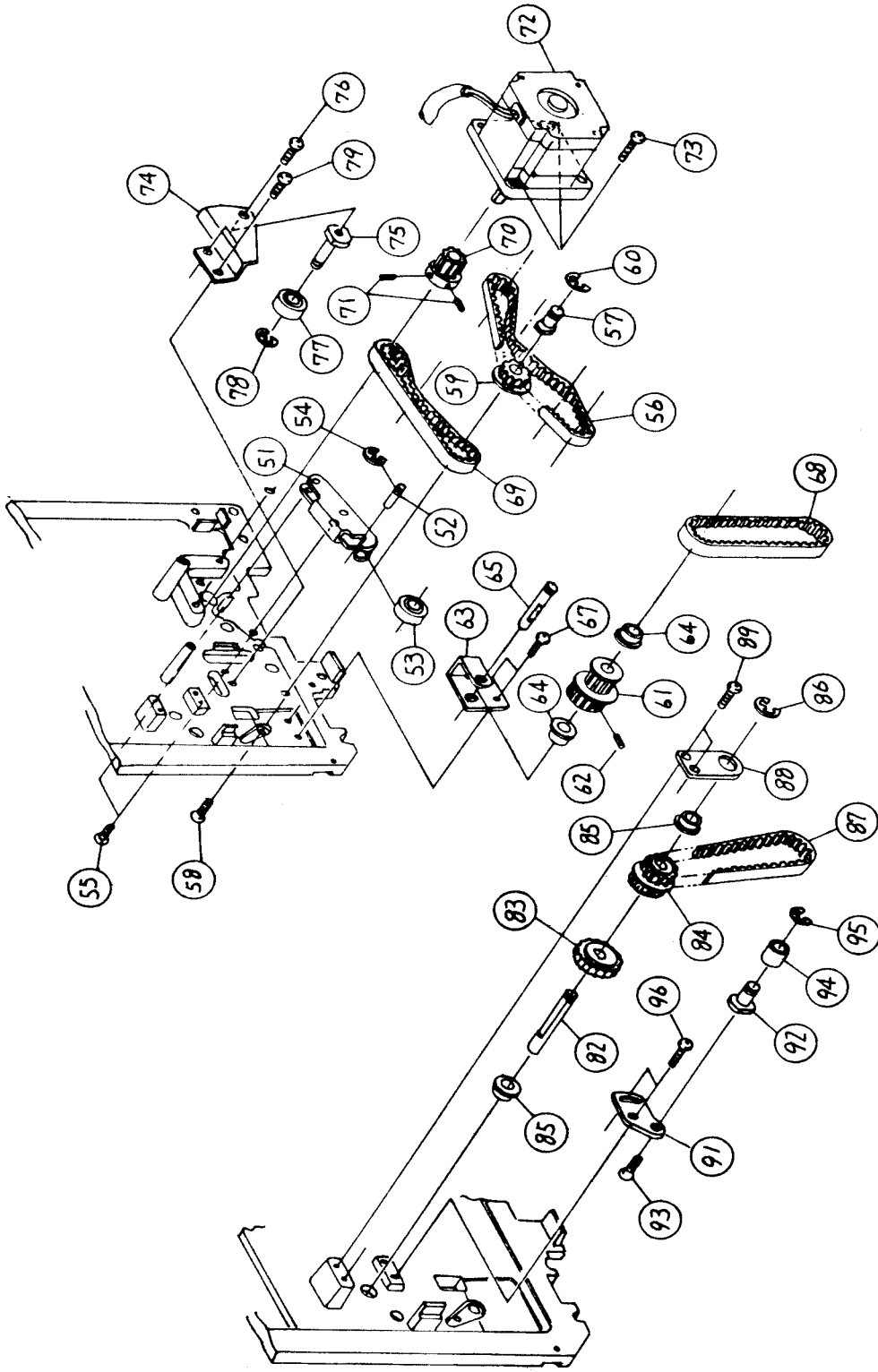
M8490S

Frame Assembly



M8490S

Frame Assembly



M8490S

Frame Assembly			
Item #	Part #	Description	QTY
1	PL1731000	Engine frame	1
2	PT2108006	Dry metal	1
3	PB0540101	Guide post	1
4	MC0401022	Pan head screw	1
5	PR1730500	Stay	1
6	MC0401222	Pan head screw	2
7	PA3732500	Spring bracket	1
8	MC0300622	Pan head screw	1
9	PB0731500	Shaft, support	1
10	MC0401022	Pan head screw	2
11	PB0732800	Shaft, ribbon	1
12	PR1730300	Roller	1
13	PA3736200	Bracket, Dispenser, bar	1
14	MN0300824	Hex bolt	1
15	PD1731300	Dispense bar	1
16	MN0300624	Hex bolt	2
19	PB0733500	Shaft, holder	1
20	NB0040022	Washer	1
21	PA4730500	Plate spring	1
22	PL1730800	Platen frame	1
23	PR0730100	Platen	2
24	PB2730100	Collar	2
25	MJ1300424	Screw	2
26	PT1112060	Ball supporter	2
27	PT1109050	Supporter	2
28	PA3736301	Supporter clamp	1
29	MN0400824	Hex bolt	2
31	PB0730500	Post, latch	1
32	PB2740100	Collar	1
33	PE3720300	Roller	1
34	MD4301222	pan head screw	1
35	PA3736400	Latch handle	1
36	PB0733400	Shaft	1
37	PC3730101	Spring	1
38	PE1730700	Handle	1

M8490S

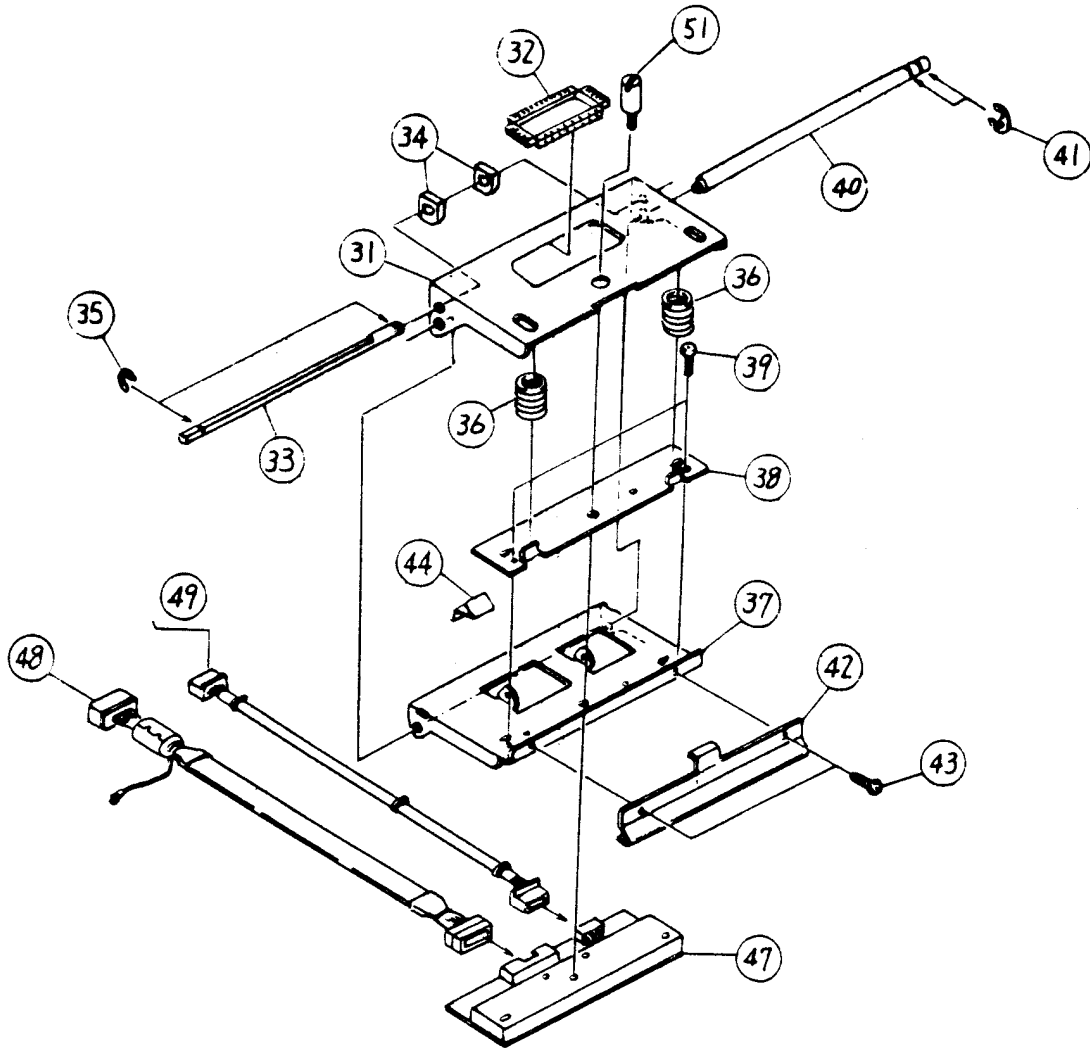
Frame Assembly			
Item #	Part #	Description	QTY
39	NG2201030	Pin	1
40	ND0030030	E-ring, Snap	2
43	MN0402524	Hex bolt	2
44	MN0402024	Hex bolt	1
45	MN0401024	Hex bolt	1
46	PE8730200	Pulley	1
47	ND0040030	E-ring, Snap	1
49	PE8730500	Pulley	1
50	ND0040030	E-ring, Snap	1
51	PA3735800	Pulley bracket	1
52	PB0731600	Shaft, roller	1
53	PR1732600	Tension roller	1
54	ND0040030	E-ring, Snap	1
55	MD4401622	Pan head screw	2
56	PT8165064	Timing belt	1
57	PB0733200	Shaft, idle	1
58	MN0401024	Hex bolt	1
59	PR1733200	Pulley	1
60	ND0040030	E-ring, Snap	1
61	PR1733300	Pulley	1
62	MJ1400524	W-point screw	1
63	PA3735600	Pulley bracket	1
64	PT1112060	Ball supporter	2
65	PB0733900	Shaft, idle	1
67	MD4400822	Pan head screw	2
68	PT8074064	Timing belt	1
69	PT8150064	Timing belt	1
70	PL1720100	Motor pulley	1
71	MJ1400524	W-point screw	2
72	RH1733500	Stepper motor, assy.	1
73	MC0401222	Pan head screw	2
74	PA3735700	Pulley bracket	1
75	PB0730600	Post (tension)	1
76	MD4400822	Pan head screw	1
77	PR1730600	Tension roller	1
78	ND0040030	E-snap ring	1

M8490S

Frame Assembly			
Item #	Part #	Description	QTY
79	MD4300822	Pan head screw	2
82	PB0731701	Shaft (idle)	1
83	PE8730100	Gear	1
84	PE8730300	Pulley	1
85	PT1112060	Ball supporter	2
86	ND0040030	E-snap ring	1
87	PT8150064	Timing belt	1
88	PA1730500	Shaft bracket	1
89	MC0401022	Pan head screw	2
91	PA1730700	Tension bracket	1
92	PB0730600	Post (tension)	1
93	MD4400822	Pan head screw	1
94	PR1730600	Tension roller	1
95	ND0040030	E-ring, snap	1
96	MD4300822	Pan head screw	2
100	PR4730501	Key boar cover	1
101	MD4301222	Pan head screw	4
102	RJ2730200	PCBA, Display	1
104	MH0300821	P-tight screw	4
105	RH1731300	Cable assy, Control panel	1
107	RJ2730100	PCBA, Dipswitch	1
108	MD3300822	Pan head screw	2
109	PH0730200	Cover, Dipswitch	1
110	RH1731600	Cable assy., Dipswitch	1

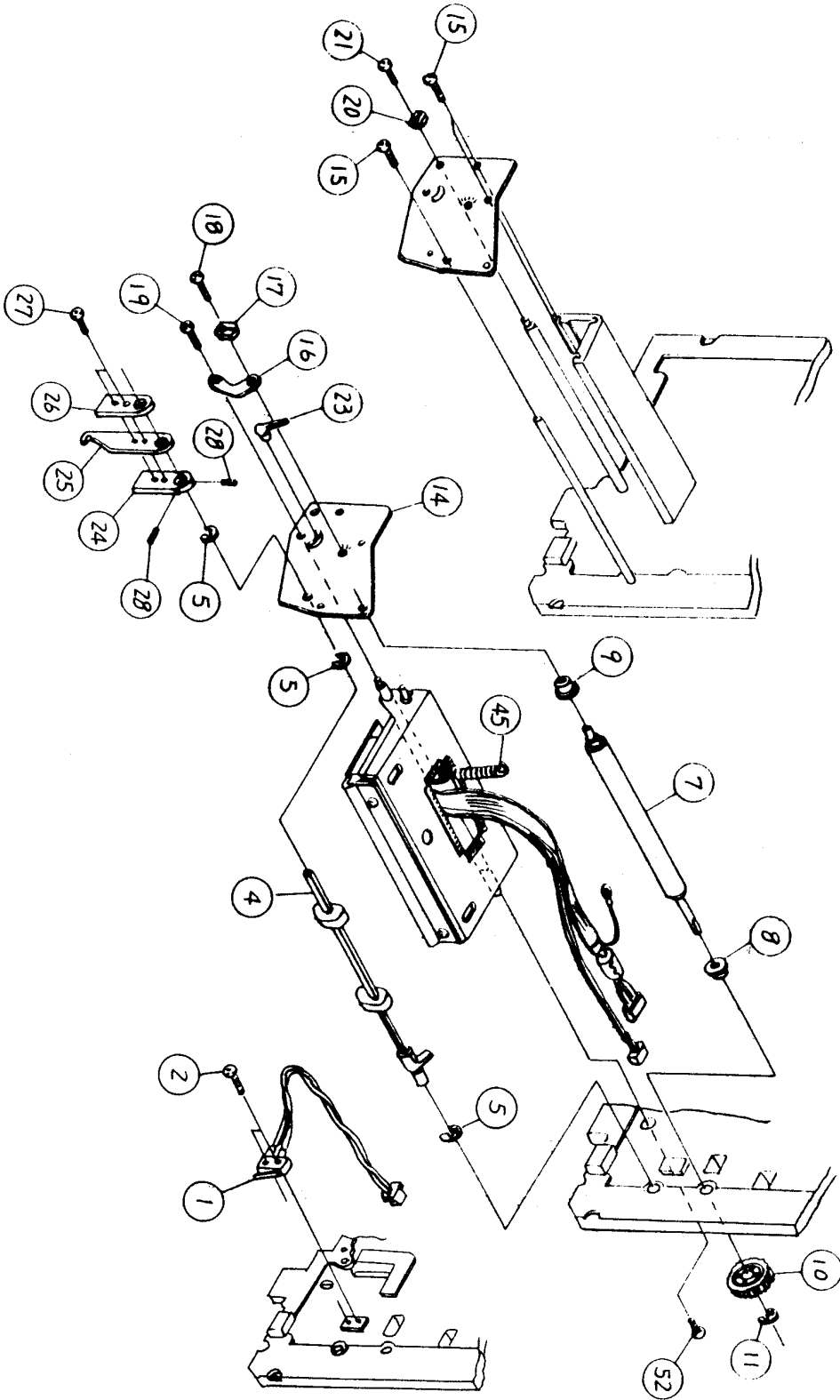
M8490S

Thermal Head Assembly



M8490S

Thermal Head Assembly



M8490S

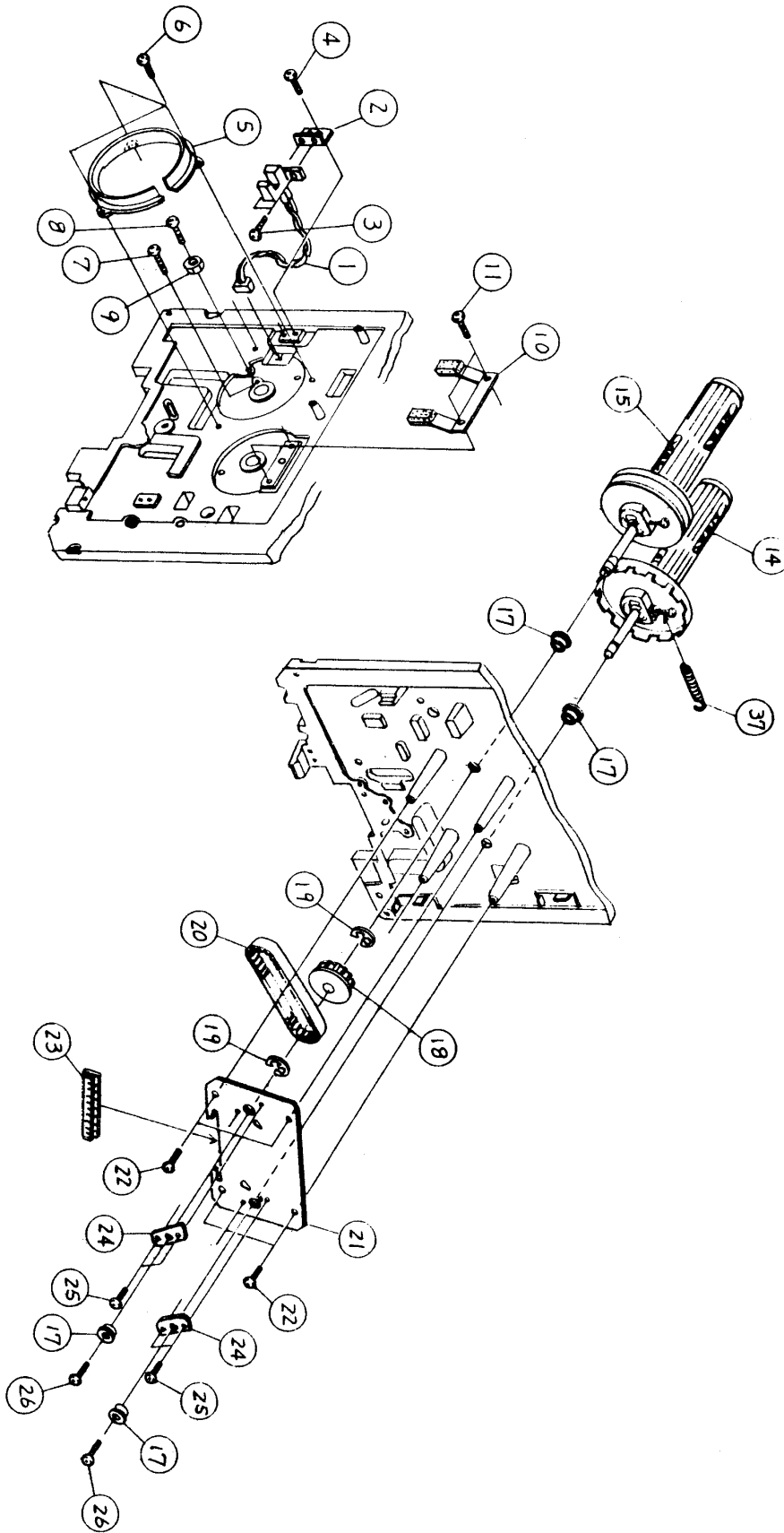
Thermal Head			
Item #	Part #	Description	QTY
1	RH1731100	SEN5 cable	1
2	MD3201221	Pan head screw	2
4	PR1730700	Pressure cam	1
5	ND0060030	E-ring, snap	3
7	PR0730200	Feed roller	1
8	PT1112060	Ball supporter	1
9	PT1109050	Ball supporter	1
10	PE8730100	Gear	1
11	ND0040030	E-ring, snap	1
14	PA2730200	Head frame	1
15	MC0401022	Pan head screw	3
16	PA1730300	Plate (adjust)	1
17	PL2720100	Adjust collar	1
18	MD4300822	Pan head screw	1
19	MC0401022	Pan head screw	1
20	PL2730100	Adjust collar	1
21	MD4401022	Pan head screw	1
23	PE1730400	Handle	1
24	PD1730600	Handle	1
25	PA2730600	Latch handle	1
26	PD1731200	Handle	1
27	MD4301022	Pan head screw	2
28	MJ1300424	W-point screw	2
31	PA3735900	Head bracket	1
32	PV9730200	Bush	1
33	PB0733800	Shaft	1
34	PE1730300	Adjust cam	2
35	ND0050030	E-ring, snap	2
36	PC1730200	Spring (head)	2
37	PR4731200	Head bracket	1
38	PR1732700	Adjust plate	1
39	MD4300622	Pan head screw	2
40	PB0733300	Shaft, head bracket	1
41	ND0070030	E-ring, snap	2
42	PA3732100	Ribbon plate	1

M8490S

Thermal Head			
Item #	Part #	Description	QTY
43	MD3250522	Pan head screw	2
44	PA4730401	Plate, spring	1
45	PC0730200	Spring, head open	1
47	GH000521A	Printhead Assy.	1
48	RH1731200	HDS cable	1
49	RH1730300	Cable assy., Printhead	1
51	PB5730300	Screw	1
52	MC0401022	Pan head screw	1

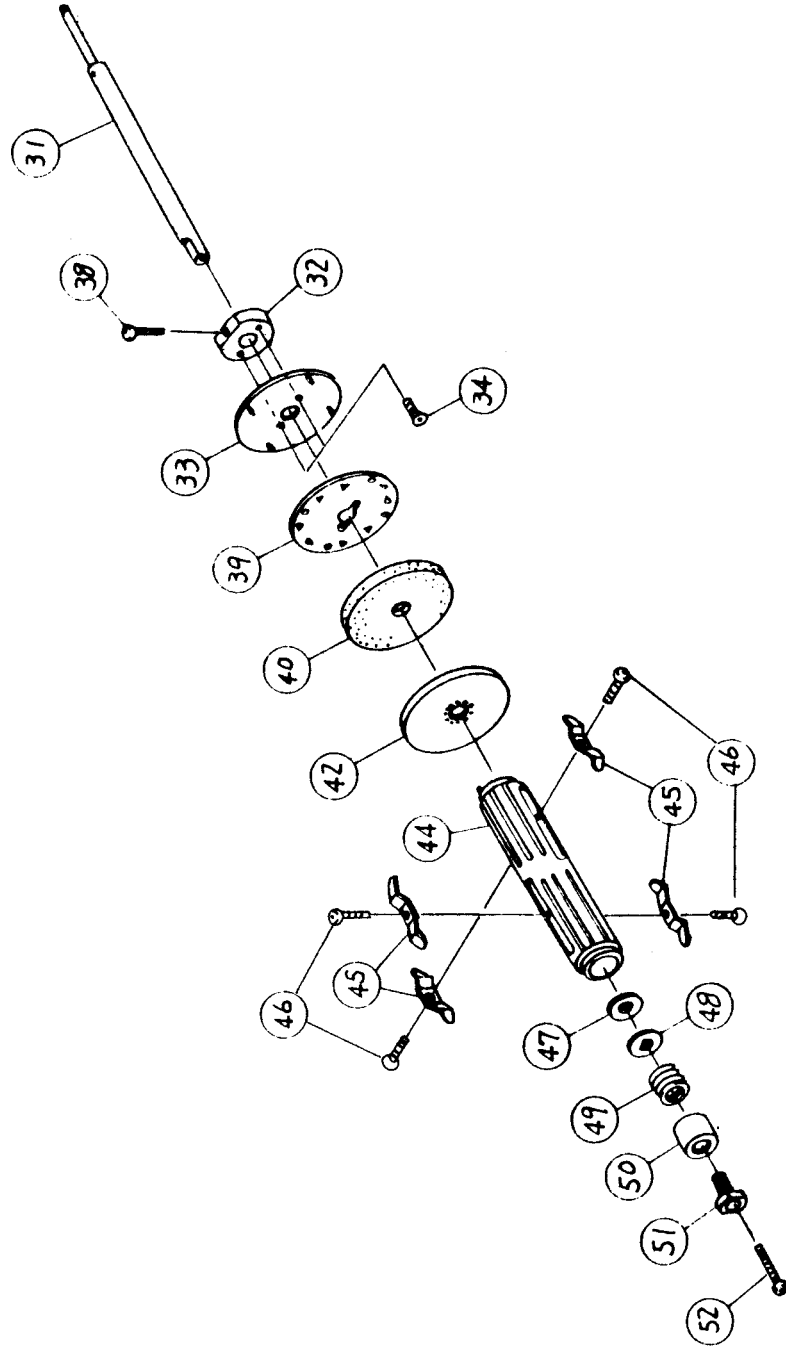
M8490S

Ribbon Assembly



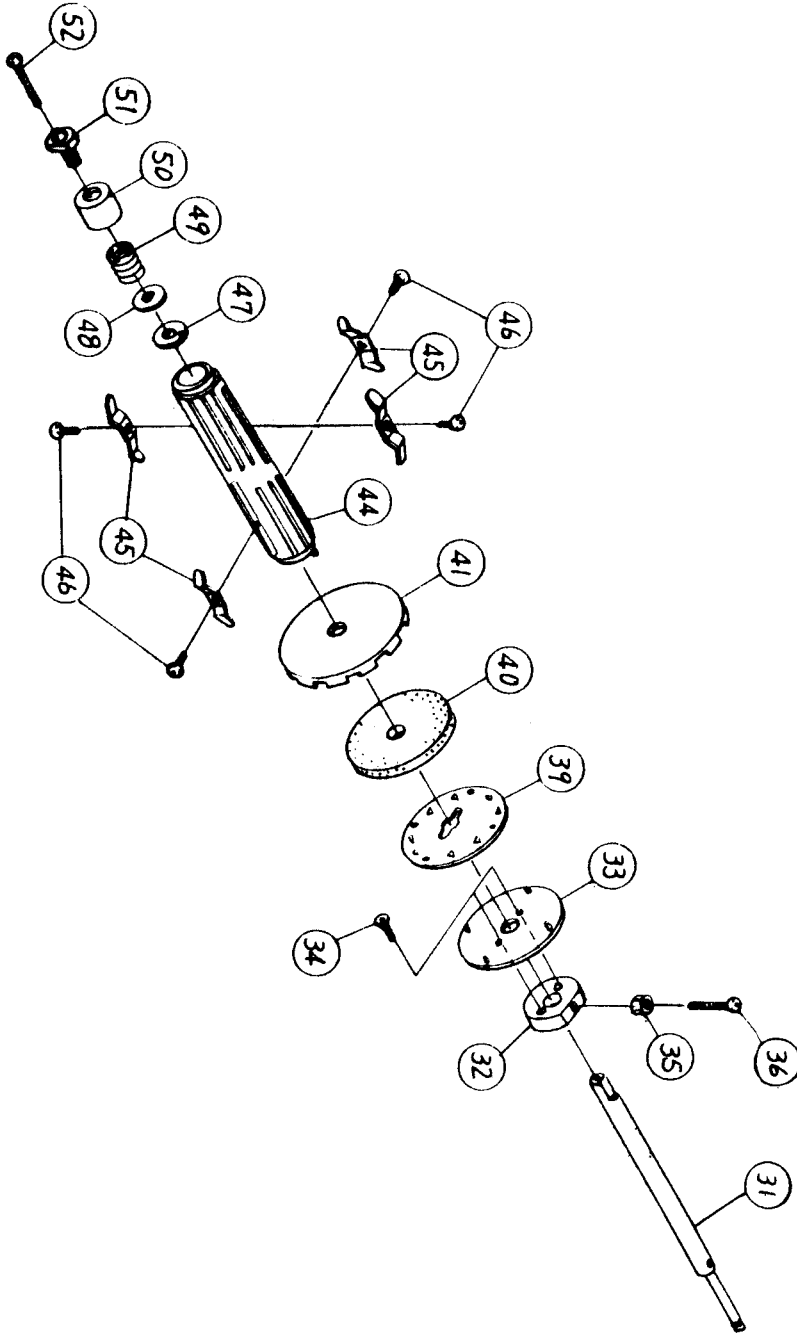
M8490S

Ribbon Assembly



M8490S

Ribbon Assembly



M8490S

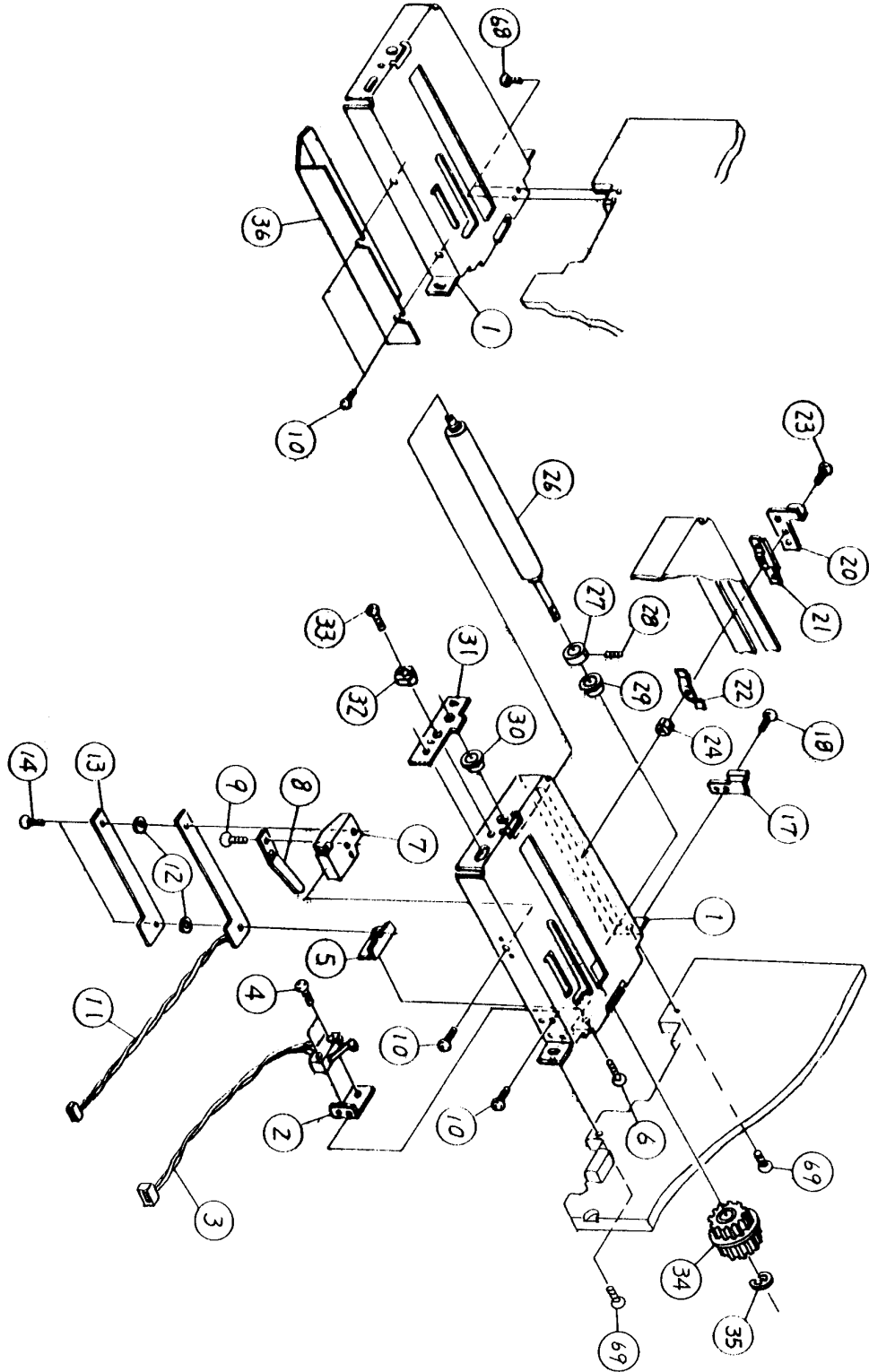
Ribbon Assembly			
Item #	Part #	Description	QTY
1	RH1730400	SEN4 cable	1
2	PA3730200	Sensor bracket (ribbon)	1
3	MA0300622	Pan head screw	2
4	MC0301022	Pan head screw	1
5	PE6720100	Disc plate cover	1
6	MD4300622	Pan head screw	3
7	MD3300822	Pan head screw	1
8	MA0301022	Pan head screw	1
9	MT1300522	Hex nut	1
10	PR4740100	Spring, tension	1
11	MD4300622	Pan head screw	2
14	RC2730200	Ribbon sub (unwind)	1
15	RC2730300	Ribbon sub (rewind)	1
17	PT1112080	Ball supporter	4
18	PR1730800	Pulley	1
19	ND0060030	E-ring, snap	2
20	PT8085064	Timing belt	1
21	PA1730601	Ribbon frame	1
22	MC0401022	Pan head screw	4
23	PV9730100	Bush	1
24	PA1731000	Adjust plate	2
25	MD4300622	Pan head screw	4
26	MD4400822	Pan head screw	2
31	PB0731200	Shaft, ribbon	2
32	PE4720200	Plate holder boss	2
33	PA0730100	Guide plate	2
34	MH1250621	P-tight screw	4
35	MT1300522	Hex nut	1
36	MA0302522	Pan head screw	1
37	PC0730100	Spring	1
38	MA0301821	Pan head screw	1
39	PA0730200	Hold plate	2
40	PA0680300	Lining	2
41	PE7720100	Disc plate	1

M8490S

Ribbon Assembly			
Item #	Part #	Description	QTY
42	PE1681100	Guide plate	1
44	PR1730900	Ribbon boss	2
45	PA4690900	Spring	8
46	MH0300521	P-tight screw	8
47	PT2301020	Dry metal	2
48	PA0680400	Disc	2
49	PC1730100	Spring	2
50	PE2730100	Stopper collar	2
51	PB5730100	Adjust screw	2
52	MA0303022	Pan head screw	2

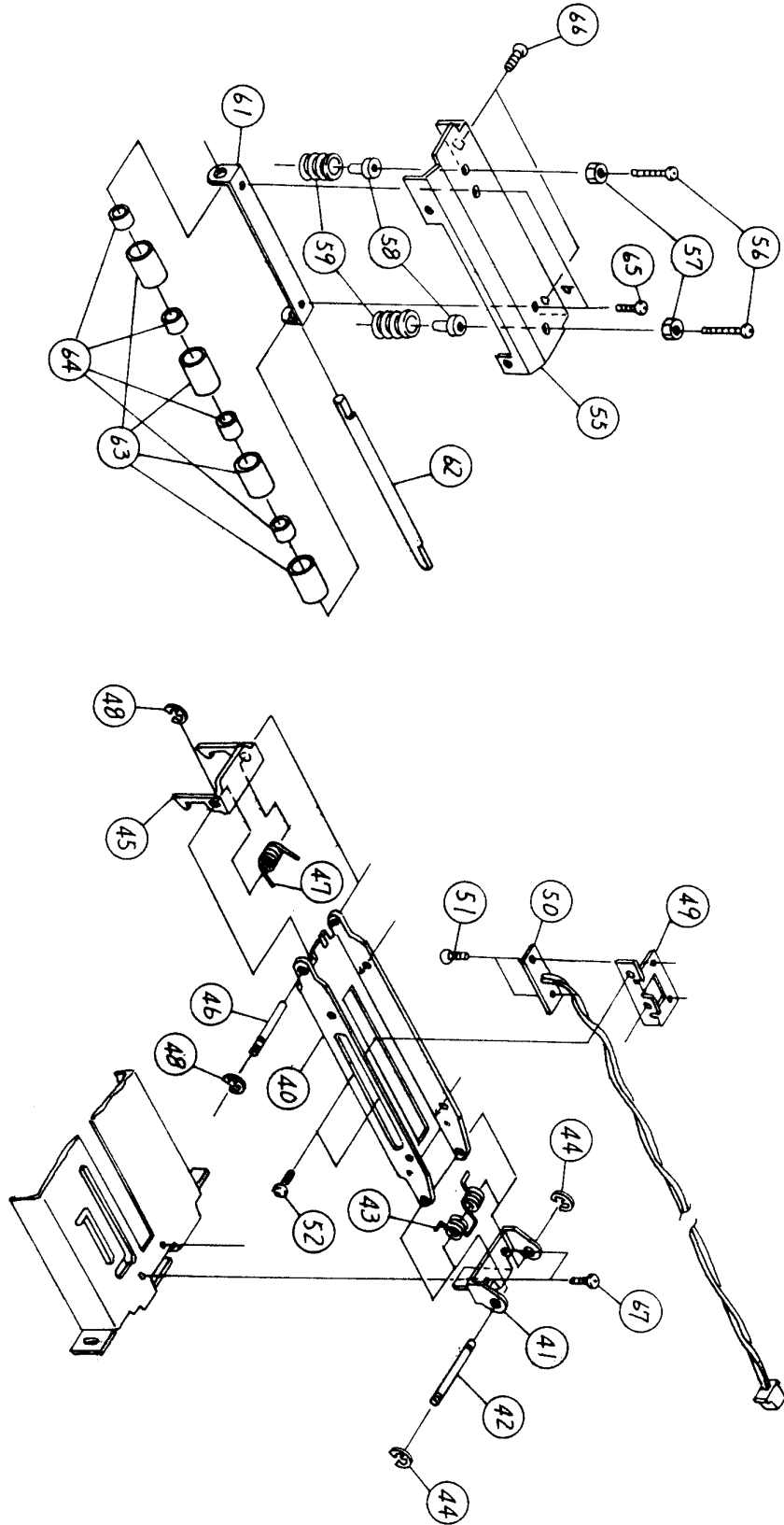
M8490S

Feed Roller Assembly



M8490S

Feed Roller Assembly



M8490S

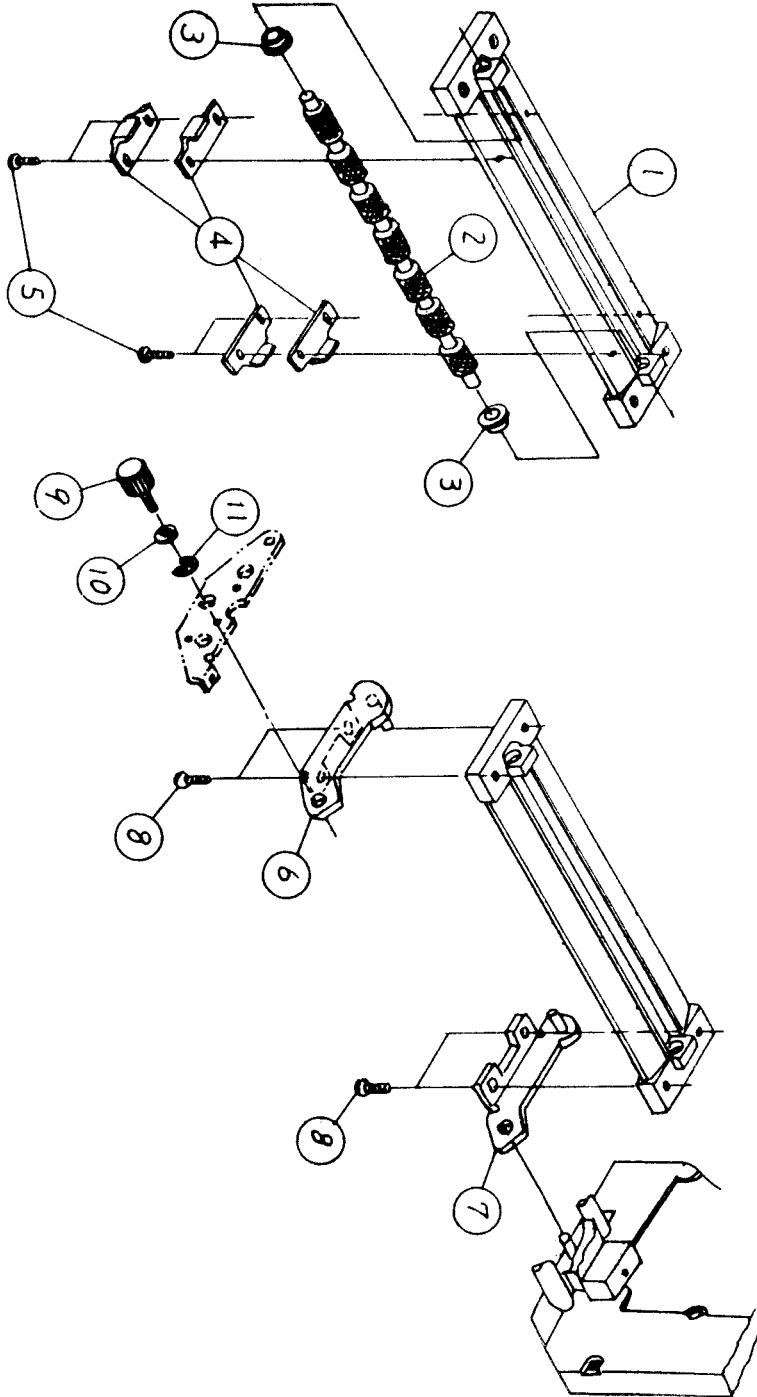
Feed Roller Assembly			
Item #	Part #	Description	QTY
1	PR4731400	Paper guide bracket	1
2	PA3732700	Micro switch bracket	1
3	RH1731500	SEN7 cable	1
4	MA0200821	Pan head screw	2
5	PA3730500	PCB bracket	1
6	MC0300622	Pan head screw	1
7	PA3730600	PCB bracket	1
8	PA4730200	Lift spring	1
9	MD4300622	Pan head screw	1
10	MD4300622	Pan head screw	2
11	RH1730900	SEN1 cable	1
12	PT9680500	Spacer	2
13	PA1730800	PCB protector	1
14	MD4300822	Pan head screw	2
17	PA3731500	Paper guide	1
18	MJ9300622	Thin head screw	1
20	PA3731600	Slide guide	1
21	PE1730200	Slider	1
22	PA4730100	Slide spring	1
23	MA0301022	Pan head screw	1
24	MT1300522	Hex nut	1
26	PR0730100	Platen roller	1
27	PB2730100	Collar	1
28	MJ1300424	W-point screw	1
29	PT1112060	Ball supporter	1
30	PT1109050	Ball supporter	1
31	PA1730100	Supporter clamp	1
32	PL2720100	Adjust collar	1
33	MD4300822	Pan head screw	1
34	PE8730200	Pulley	1
35	ND0040030	E-ring, snap	1
36	PA3734600	Paper guide	1
40	PA3731100	Lid, lower	1
41	PA3734700	Lid bracket	1

M8490S

Feed Roller Assembly			
Item #	Part #	Description	QTY
42	PB0731000	Shaft, lid	1
43	PC2730200	Spring	1
44	ND0020030	E-ring, snap	2
45	PA3731700	Latch handle	1
46	PB0730900	Shaft, latch	1
47	PC2730100	Spring	1
48	ND0020030	E-ring, snap	2
49	PA3731200	Sensor bracket	1
50	RH1731000	SEN2 cable	1
51	MD4300622	Pan head screw	2
52	MJ9300622	Thin head screw	2
55	PA3731000	Lid, upper	1
56	MA0301022	Pan head screw	2
57	MT1300522	Hex nut	2
58	PE2730300	Stopper collar	2
59	PC1730300	Spring	2
61	PA3731300	Roller bracket	1
62	PB0730800	Shaft, pressure roller	1
63	PE3720200	Roller	4
64	PE3720500	Roller	4
65	MA0300422	Pan head screw	2
66	MC0300622	Pan head screw	2
67	MN0300624	Hex bolt	2
68	MN0300824	Hex bolt	2
69	MN0400824	Hex bolt	2

M8490S

Pressure Roller Assembly

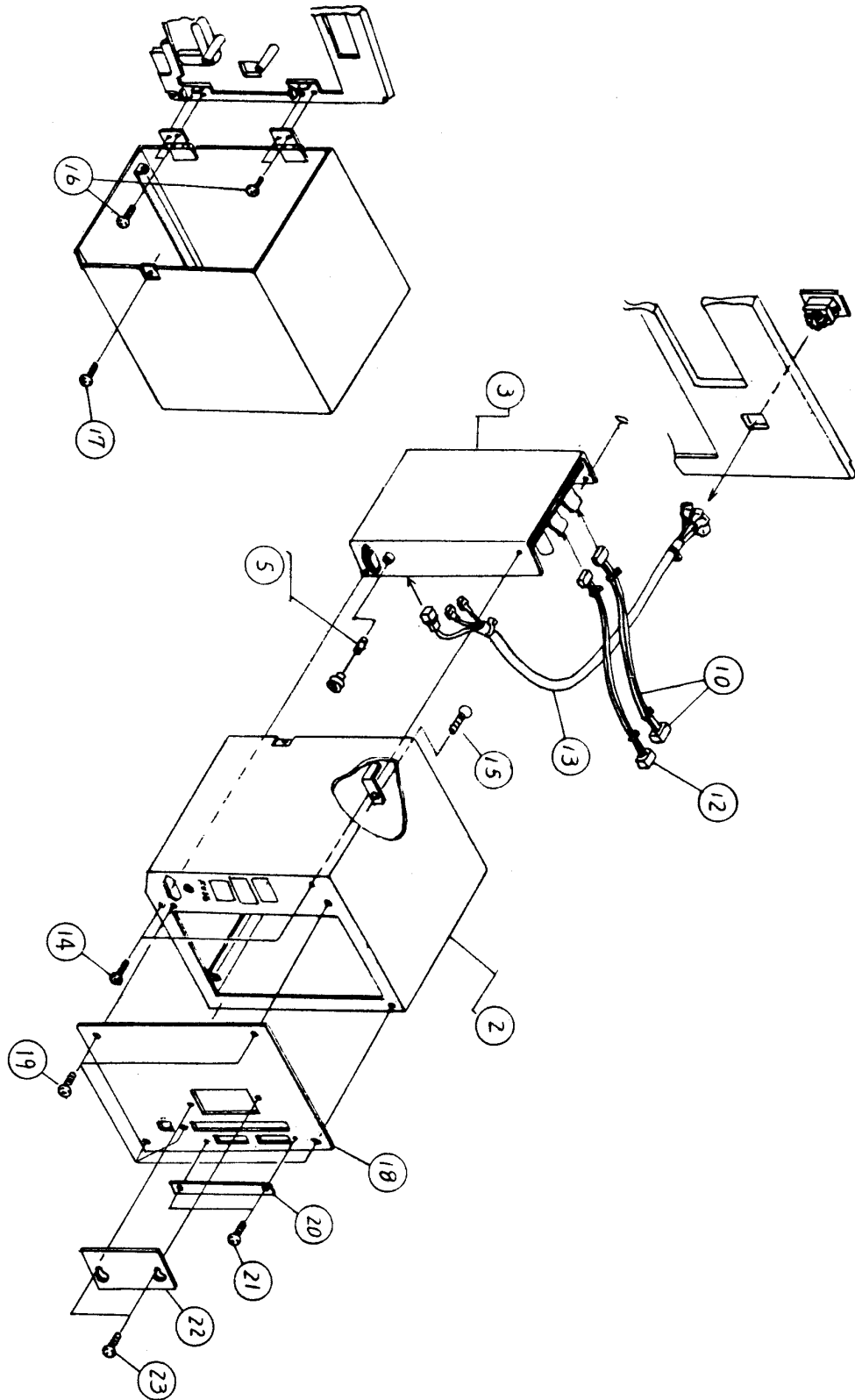


M8490S

Pressure Roller			
Item #	Part #	Description	QTY
1	PL1730900	Roller holder	1
2	PB0731800	Pressure roller	1
3	PT1108040	Ball supporter	2
4	PA4730300	Plate spring	4
5	MJ9300622	Thin head screw	4
6	PR1732800	Plate	1
7	PR1732900	Plate	1
8	MA1300822	Flat head screw	4
9	PB0733601	Screw, holder	1
10	NB0050022	Spring (washer)	1
11	ND0050030	E-ring, snap	1

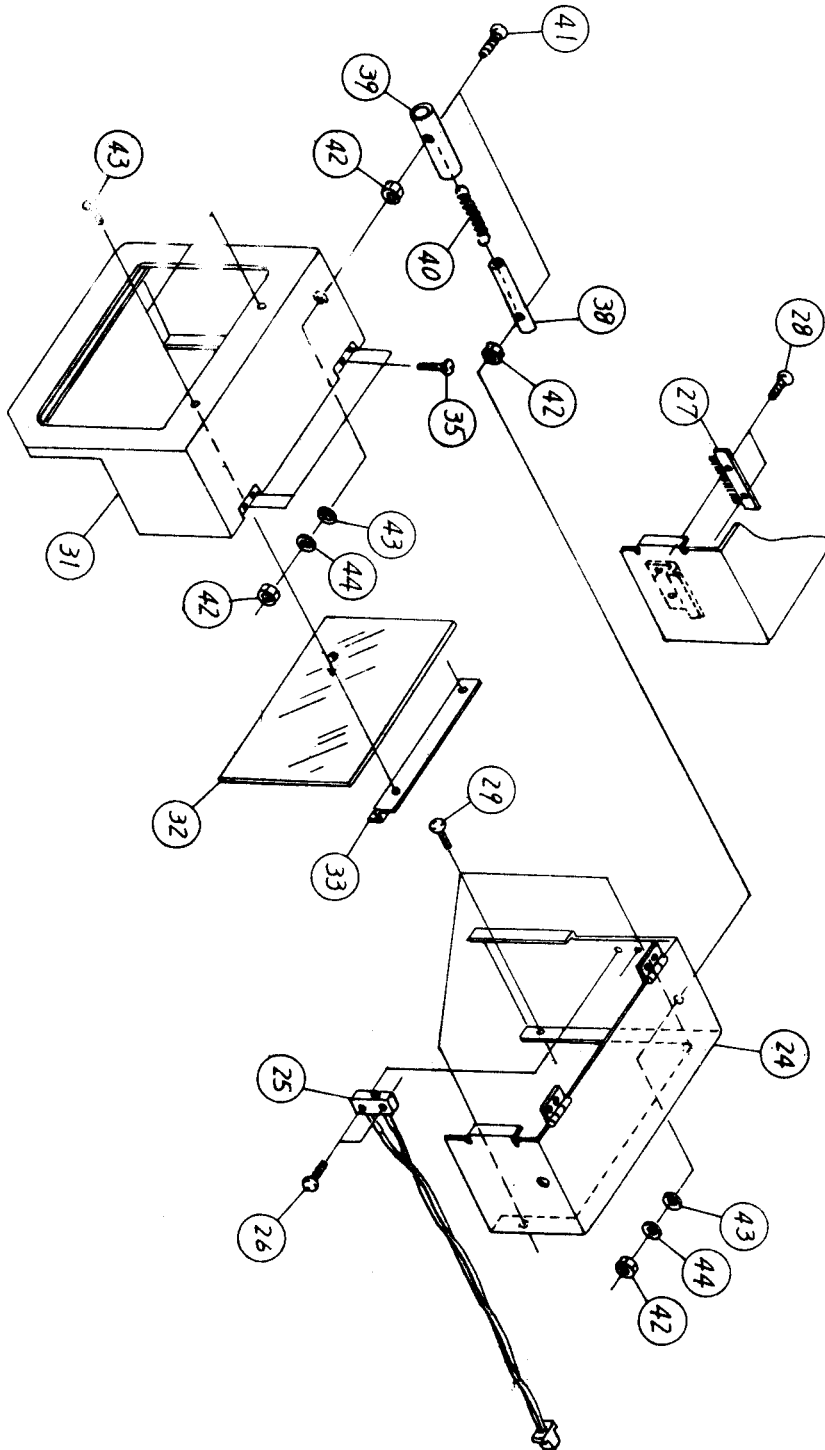
M8490S

Cover Assembly



M8490S

Cover Assembly

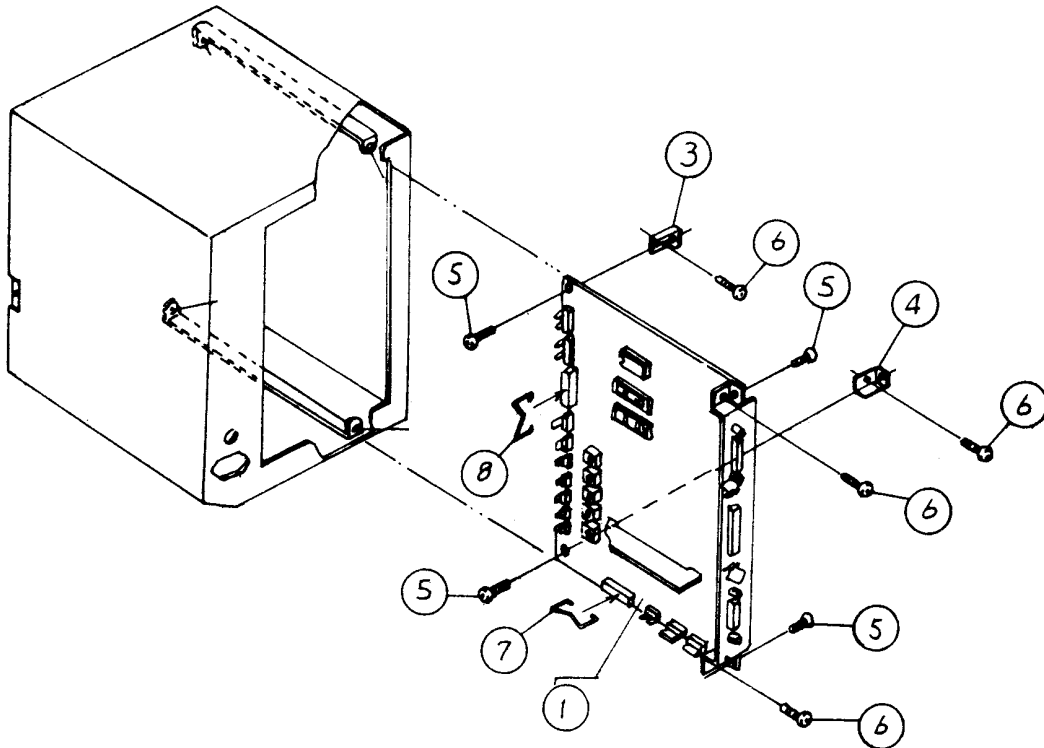


M8490S

Cover Assembly			
Item #	Part #	Description	QTY
2	PH1731701	Cover	1
3	PR7730100	Power supply (115V)	1
5	HD100301A	Fuse, 15A, 250V	1
10	RH1732000	POW1 cable	1
12	RH1732100	POW2 cable	1
13	RH1730500	POW SW cable	1
14	MC0301022	Pan head screw	2
15	MC0401022	Pan head screw	1
16	MC0301022	Pan head screw	4
17	MC0401022	Pan head screw	1
18	PH1731900	Cover	1
19	MC0300622	Pan head screw	5
20	PA1730900	Sub cover	1
21	MC0300622	Pan head screw	2
22	PH1732000	Cover	1
23	MD4300822	Pan head screw	2
24	PR1731000	Cover bracket	1
25	RH1730800	SEN6 cable	1
26	MA0200821	Pan head screw	2
27	PR1340500	Anti-static brush	1
28	MD4300622	Pan head screw	2
29	MC0301022	Pan head screw	3
31	PH1730601	Cover, front	1
32	PH2730100	Window	1
33	PH1730700	Set plate	1
34	MA7300625	Truss screw	2
35	MA7300625	Truss screw	4
38	PE6730300	SP case (A)	1
39	PE6730400	SP case (B)	1
40	PC0090300	Spring	1
41	PB0013700	Spring shaft	2
42	MT3020621	Hex nut	4
43	NA1060022	Plain washer	2
44	NB0060022	Spring washer	2

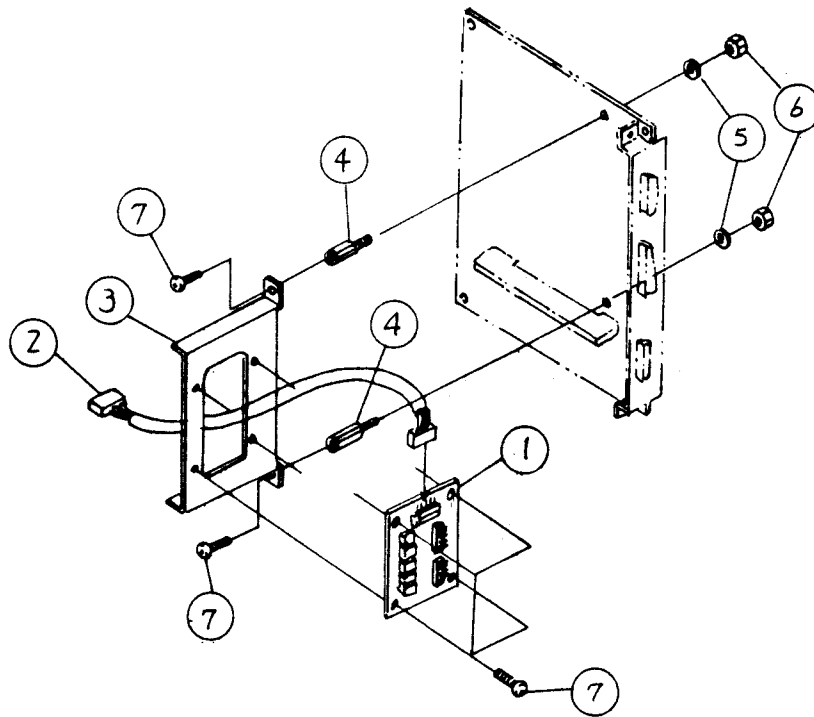
M8490S

Main PCB Assembly			
Item #	Part #	Description	QTY
1	RJ1731100	Main PCBA	1
3	PA3730300	PCB bracket	1
4	PA3730400	PCB bracket	1
5	MD3301022	Pan head screw	4
6	MD4300622	Pan head screw	4
7	PC9730100	Spring	1
8	PC9680000	Lock spring	1



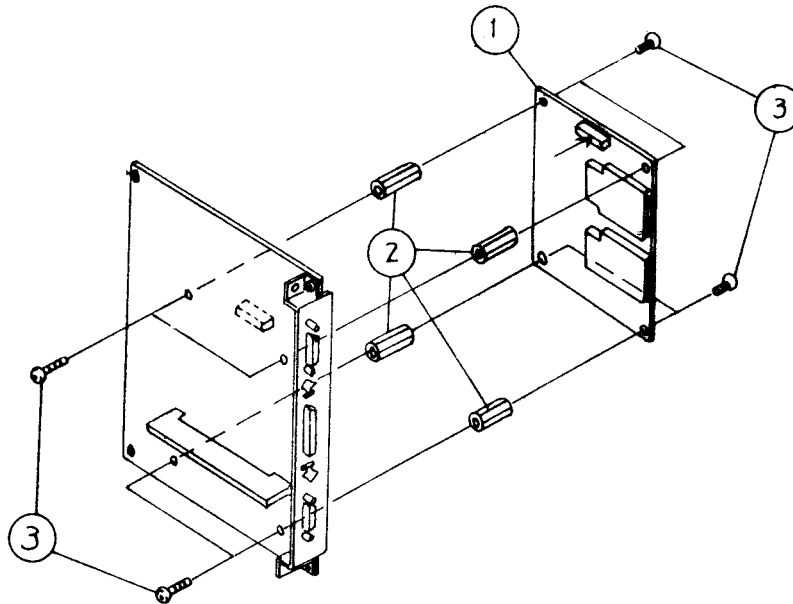
M8490S

Check PCB Assembly			
Item #	Part #	Description	QTY
1	RJ4730600	Check PCB	1
2	RH4730000	Check cable set	1
3	PA3736600	Bracket	1
4	PT9681600	Spacer	2
5	NA0030022	Washer	2
6	MT1300522	Nut, 2N3	2
7	MD4300822	Pan head screw	6



M8490S

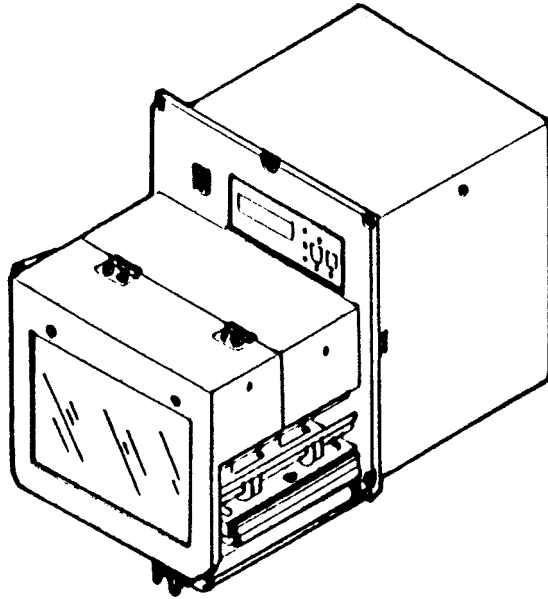
Memory Card PCB Assembly			
Item #	Part #	Description	QTY
1	RJ1723100	PCBA, memory	1
2	PT9730000	Spacer	4
3	MD3300622	Pan head screw	8





M8490S Parts List

(Use with printer serial numbers between 5010000 and 7069999)



Sato America, Inc.
10350-A Nations Ford Rd.
Charlotte, NC 29708
Phone (704) 644-1650
Fax (704) 644-1662

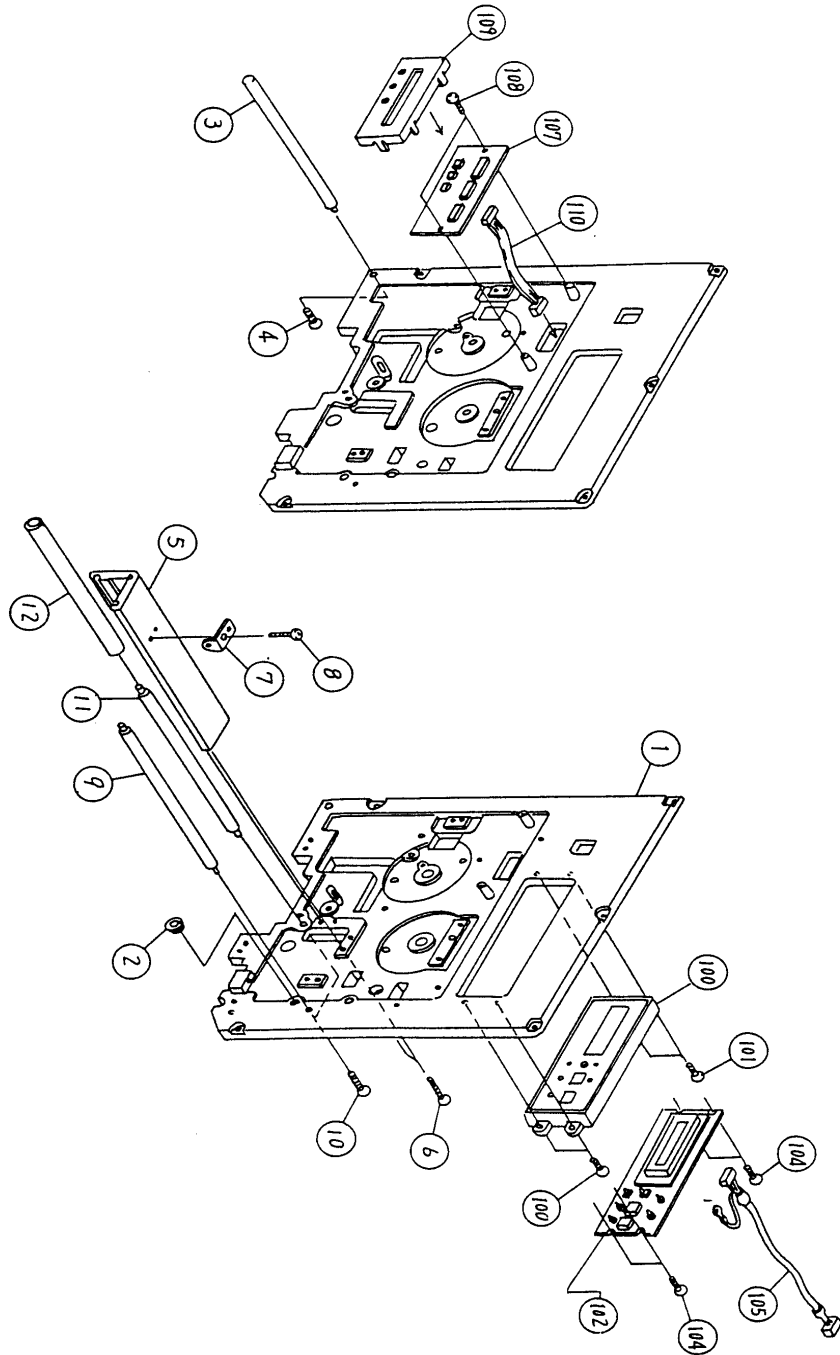
P/N 9001046 REV. D

M8490S

<u>Description</u>	<u>Page #</u>
Frame Assembly	34-39
Thermal Head Assembly	40-43
Ribbon Assembly	44-48
Feed Roller Assembly	49-52
Pressure Roller Assembly	53-53
Cover Assembly	54-56
Main PCB Assembly	57-57
Memory Upgrade (Option)	58-58

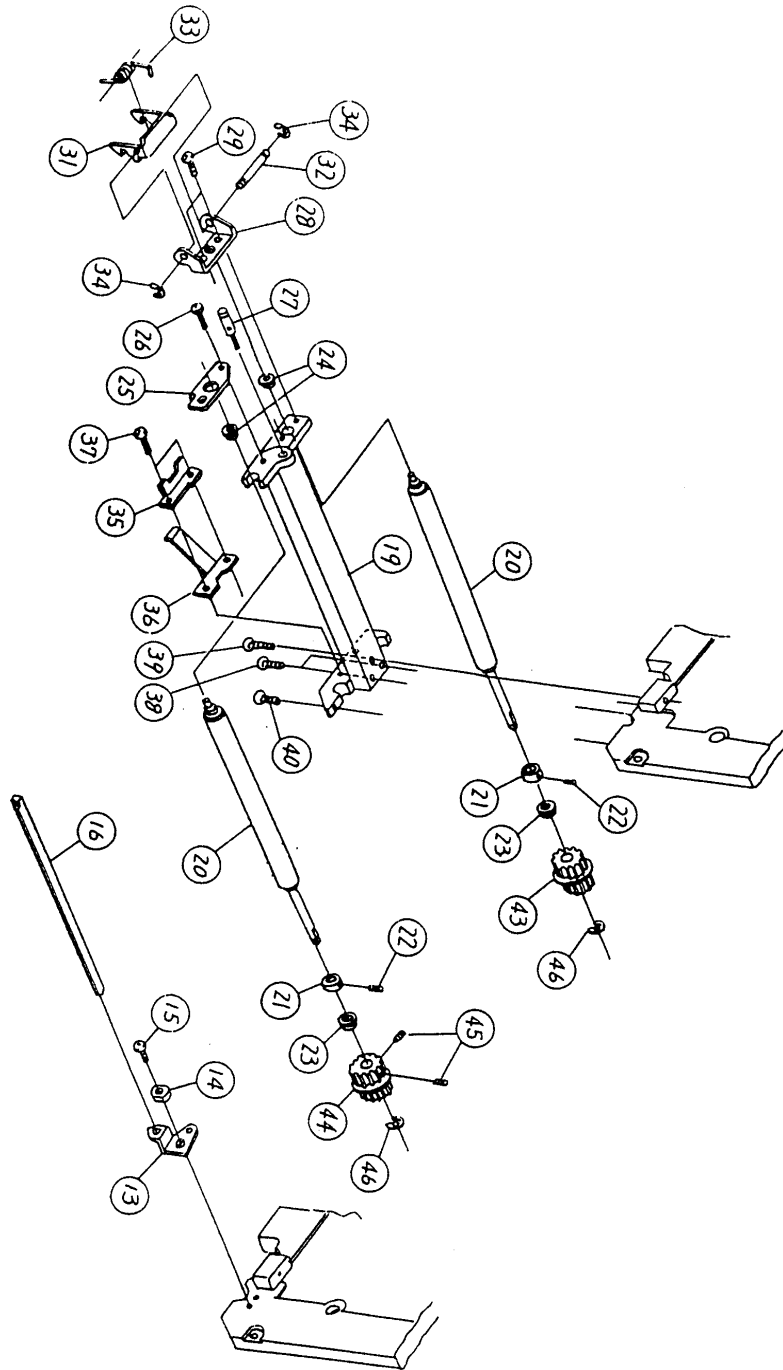
M8490S

Frame Assembly



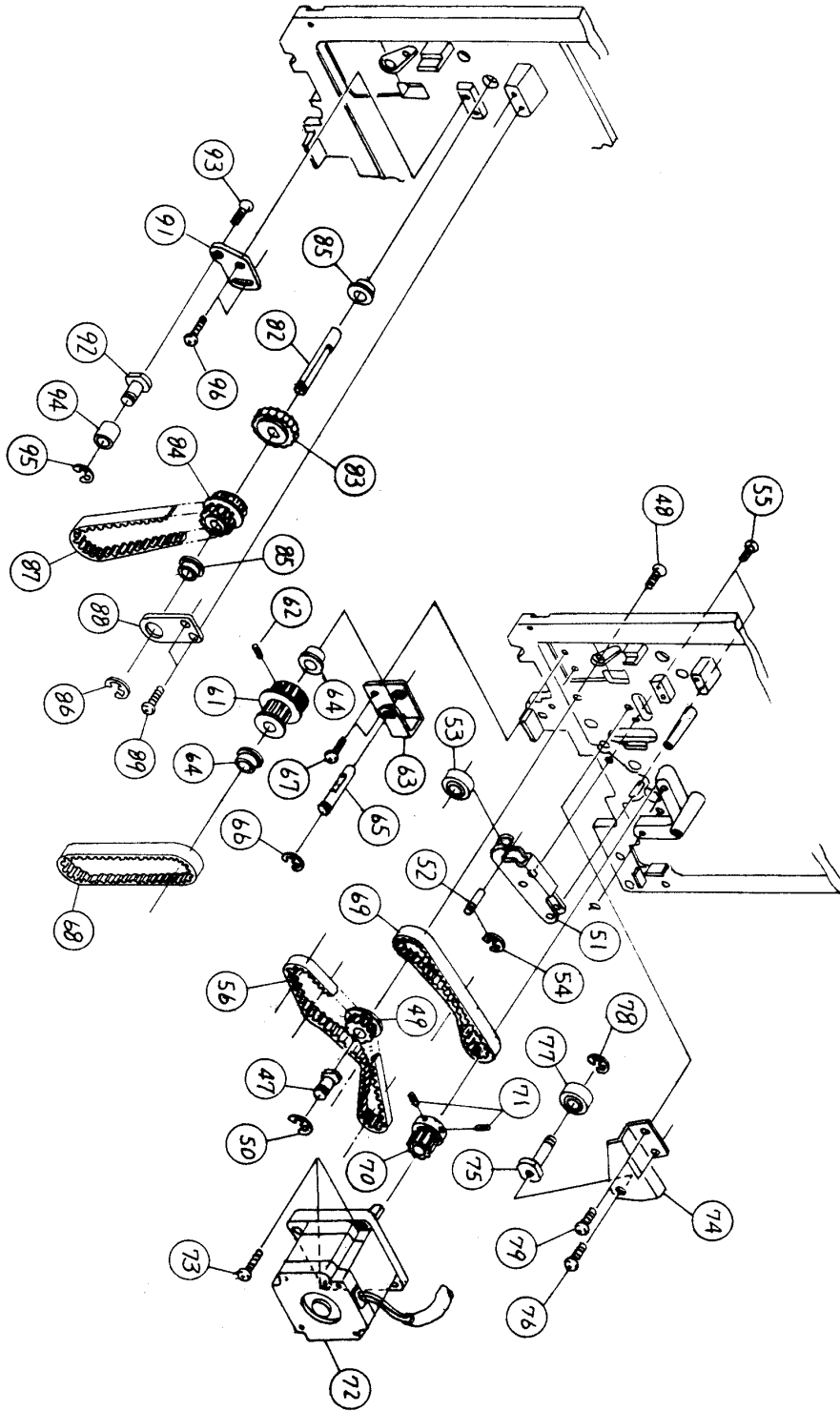
M8490S

Frame Assembly



M8490S

Frame Assembly



M8490S

Frame Assembly			
Item #	Part Number	Part Description	Qty
1	PL1730600	Engine frame	1
2	PT2108006	Dry metal	1
3	PB0540101	Guide post	1
4	MC0401022	Pan head screw	1
5	PR1730500	Stay	1
6	MC0401222	Pan head screw	2
7	PA3732500	Spring bracket	1
8	MC0300622	Pan head screw	1
9	PB0731500	Shaft (support)	1
10	MC0401022	Pan head screw	2
11	PB0732800	Shaft (ribbon adjust)	1
12	PR1730300	Roller	1
13	PA3732000	Dispense bar bracket	1
14	PB5730200	Collar	1
15	MD3300822	Pan head screw	1
16	PD1731100	Dispense bar	1
19	PL1730202	Platen frame	1
20	PR0730100	Platen roller	2
21	PB2730100	Collar	2
22	MJ1300424	W-point screw	2
23	PT1112060	Ball supporter	2
24	PT1109050	Ball supporter	2
25	PA1730201	Supporter clamp	1
26	MN0300824	Hex bolt	1
27	PB0730500	Post (latch)	1
28	PA3730700	Pressure roller bracket	1
29	MJ9300622	Screw	2
31	PA3730800	Latch handle	1
32	PB0730700	Shaft (latch)	1
33	PC2730300	Spring (latch)	1
34	ND0020030	E-snap ring	2
35	PA3732800	Adjust plate	1
36	PA3735000	Hold plate	1
37	MC0301022	Pan head screw	2
38	MN0402524	Hex bolt	2

M8490S

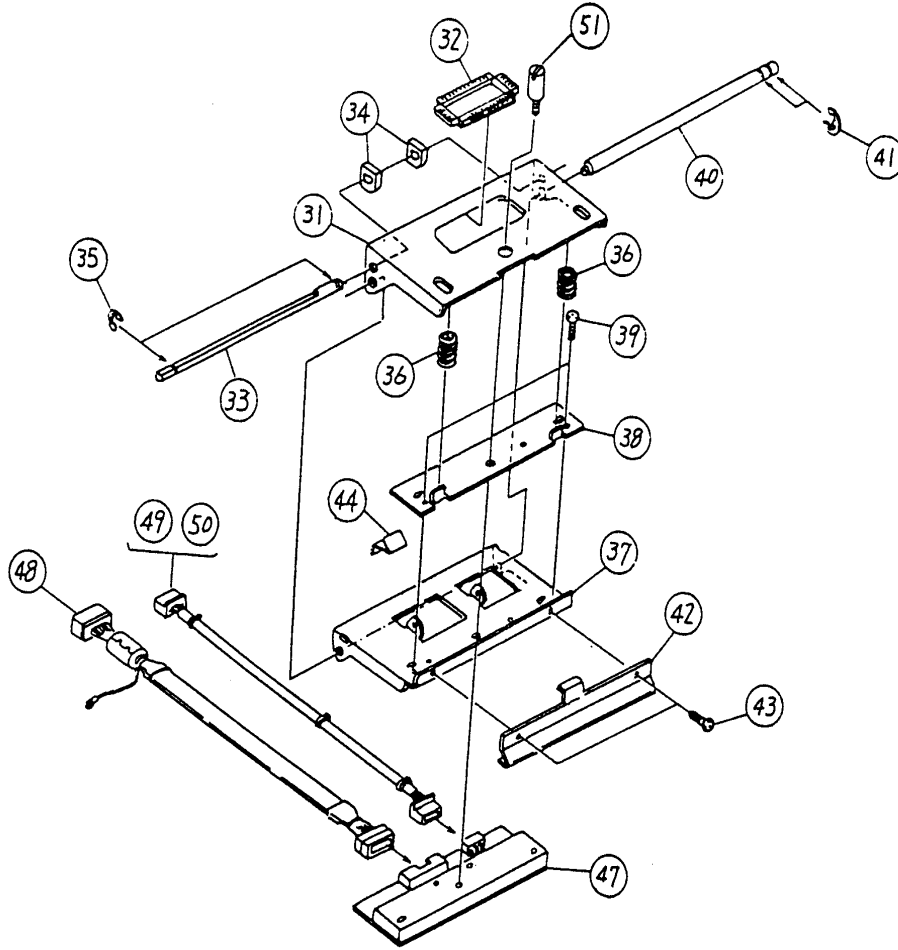
Frame Assembly			
Item #	Part Number	Part Description	Qty
39	MN0402024	Hex bolt	1
40	MN0401024	Hex bolt	1
43	PE8730200	Pulley	1
44	PR1732300	Pulley	1
45	MJ1400524	W-point screw	2
46	ND0040030	E-snap ring	2
47	PB0733200	Shaft (idle)	1
48	MN0401024	Hex bolt	1
49	PR1732500	Pulley	1
50	ND0040030	E-snap ring	1
51	PA3735800	Pulley bracket (A)	1
52	PB0731600	Shaft (roller)	1
53	PR1732600	Tension roller	1
54	ND0040030	E-snap ring	1
55	MD4401622	Pan head screw	2
56	PT8165064	Timing belt	1
61	PR1732400	Pulley	1
62	MJ1400524	W-point screw	1
63	PA3735600	Pulley bracket (B)	1
64	PT1112060	Ball supporter	2
65	PB0733100	Shaft (idle)	1
66	ND0040030	E-snap ring	1
67	MD4400822	Pan head screw	2
68	PT8074064	Timing belt	1
69	PT8150064	Timing belt	1
70	PL1720100	Motor pulley	1
71	MJ1400524	W-point screw	2
72	RH1730600	Stepper motor assy.	1
73	MC0401222	Pan head screw	2
74	PA3735700	Pulley bracket	1
75	PB0730600	Post (tension)	1
76	MD4400822	Pan head screw	1
77	PR1730600	Tension roller	1
78	ND0040030	E-snap ring	1
79	MD4300822	Pan head screw	2

M8490S

Frame Assembly			
Item #	Part Number	Part Description	Qty
82	PB0731701	Shaft (idle)	1
83	PE8730100	Gear	1
84	PE8730300	Pulley	1
85	PT1112060	Ball supporter	2
86	ND0040030	E-snap ring	1
87	PT8150064	Timing belt	1
88	PA1730500	Shaft bracket	1
89	MC0401022	Pan head screw	2
91	PA1730700	Tension bracket	1
92	PB0730600	Post (tension)	1
93	MD4400822	Pan head screw	1
94	PR1730600	Tension roller	1
95	ND0040030	E-snap ring	1
96	MD4300822	Pan head screw	2
100	PR4730501	Key board cover	1
101	MD4301222	Pan head screw	4
102	RJ2730200	KB PCB set	1
104	MH0300821	Screw	4
105	RH1731300	PSW cable	1
107	RJ2730100	DSW PCB set	1
108	MD3300822	Pan head screw	2
109	PH0730200	DSW cover	1
110	RH1731600	DSW cable set	1

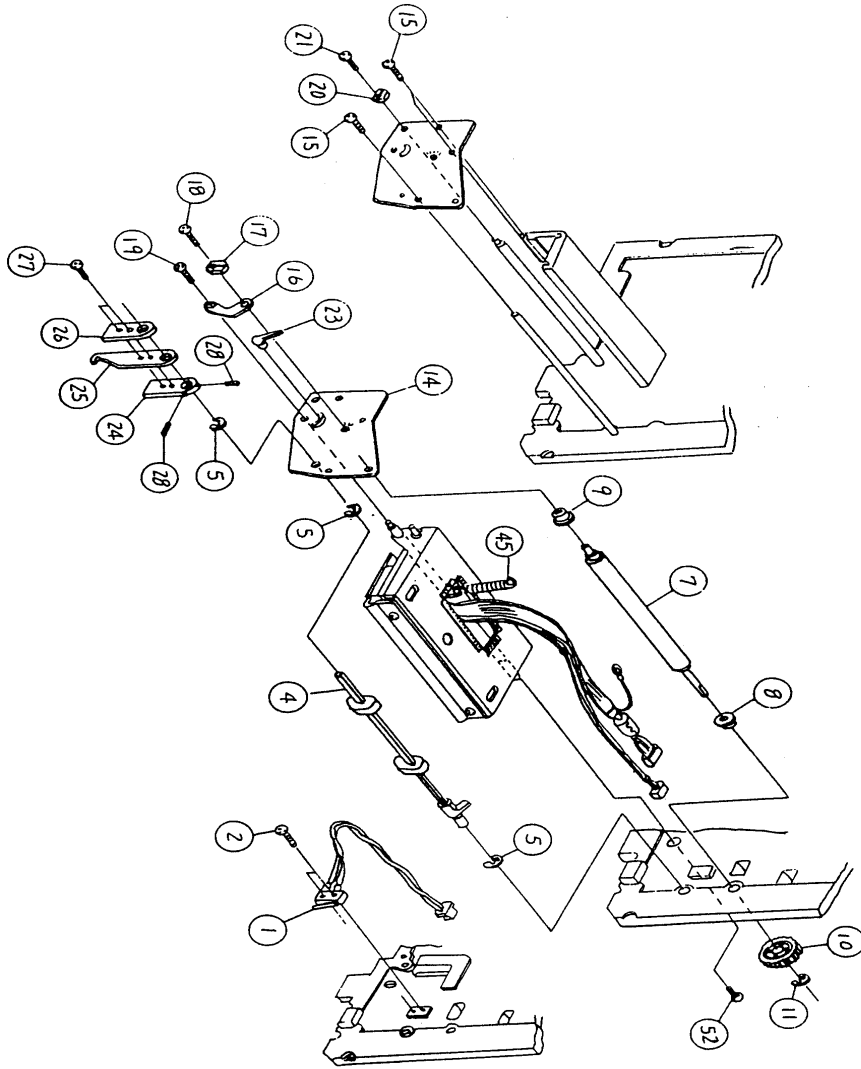
M8490S

Thermal Head Assembly



M8490S

Thermal Head Assembly



M8490S

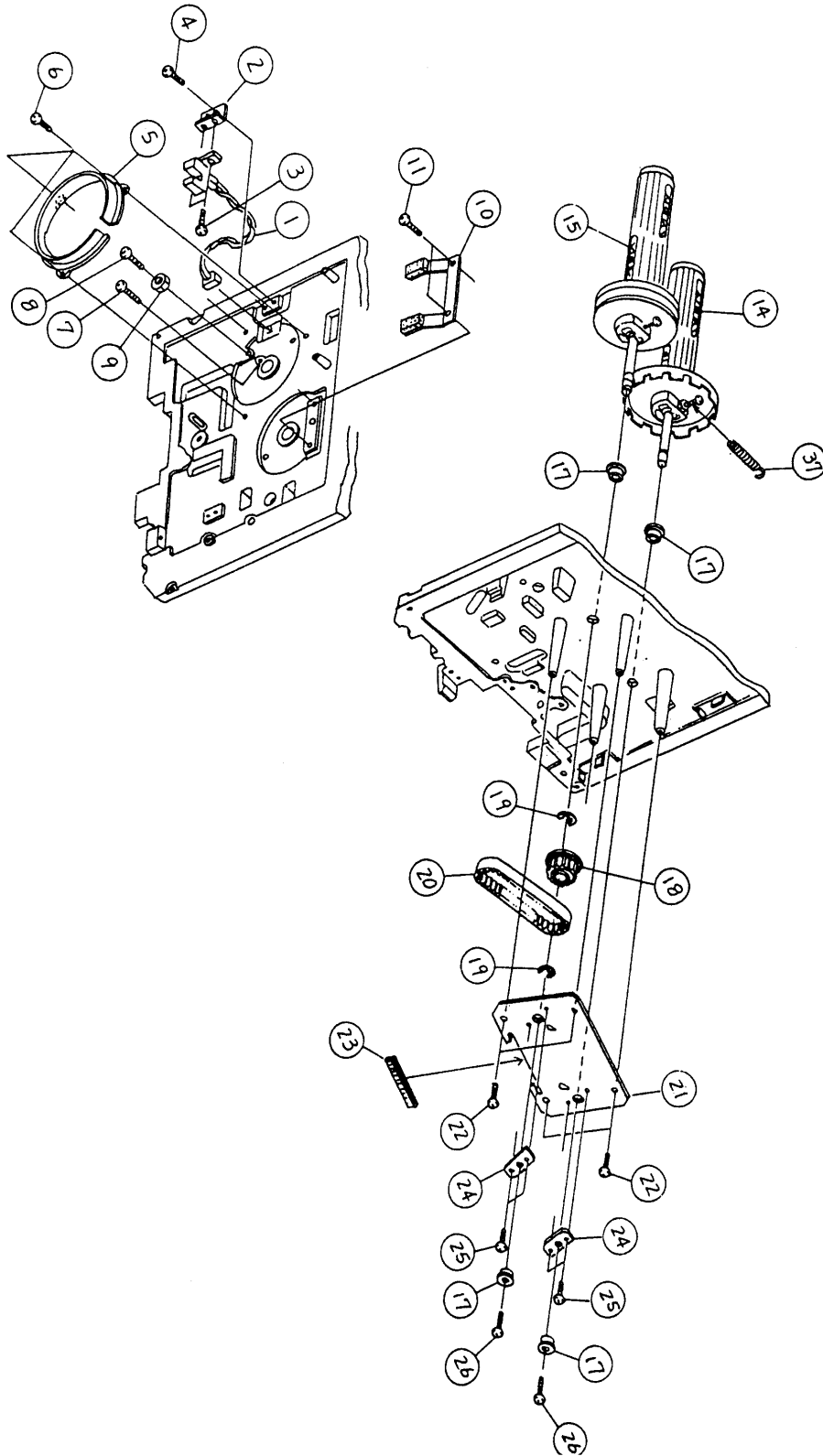
Thermal Head Assembly			
Item #	Part Number	Part Description	Qty
1	RH1731100	SEN5 cable	1
2	MC0401022	Pan head screw	1
4	PR1730700	Pressure cam	1
5	ND0060030	E-snap ring	3
7	PR0730200	Feed roller	1
8	PT1112060	Ball supporter	1
9	PT1109050	Ball supporter	1
10	PE8730100	Gear	1
11	ND0040030	E-snap ring	1
14	PA2730200	Head frame	1
15	MC0401022	Pan head screw	3
16	PA1730300	Plate (adjust)	1
17	PL2720100	Adjust collar	1
18	MD4300822	Pan head screw	1
19	MC0401022	Pan head screw	1
20	PL2730100	Adjust collar	1
21	MD4401022	Pan head screw	1
23	PE1730400	Handle (B)	1
24	PD1730600	Handle (A)	1
25	PA2730600	Latch handle	1
26	PD1731200	Handle (B)	1
27	MD4301022	Pan head screw	2
28	MJ1300424	Screw	2
31	PA3735900	Head bracket (up)	1
32	PV9730200	Bushing	1
33	PB0731400	Shaft (adjust cam)	1
34	PE1730300	Adjust cam	2
35	ND0050030	E-snap ring	2
36	PC1730200	Spring (head)	2
37	PR4731200	Head bracket (low)	1
38	PR1732700	Adjust plate (head)	1
39	MD4300622	Pan head screw	2
40	PB0733300	Shaft (head bracket)	1

M8490S

41	ND0070030	E-snap ring	2
42	PA3732100	Ribbon plate	1
Thermal Head Assembly			
Item #	Part Number	Part Description	Qty
43	MD3250522	Pan head screw	2
44	PA4730401	Plate spring (head cam)	1
45	PC0730200	Spring (head open)	1
47	GH000521A	Printhead assy.	1
48	RH1731200	HDS cable	1
49	RH1730300	HDP cable	1
51	PB5730300	Screw (head)	1
52	MD3201221	Pan head screw	2

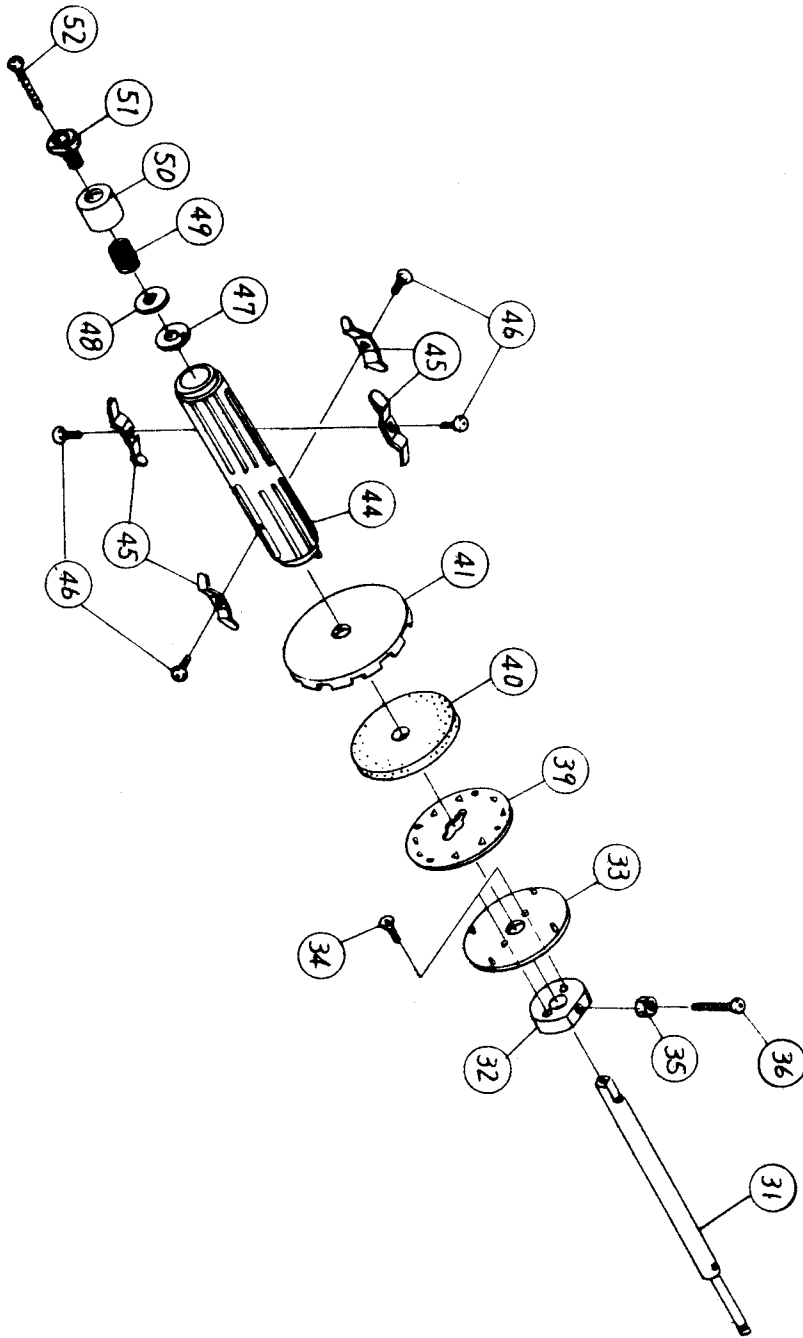
M8490S

Ribbon Assembly



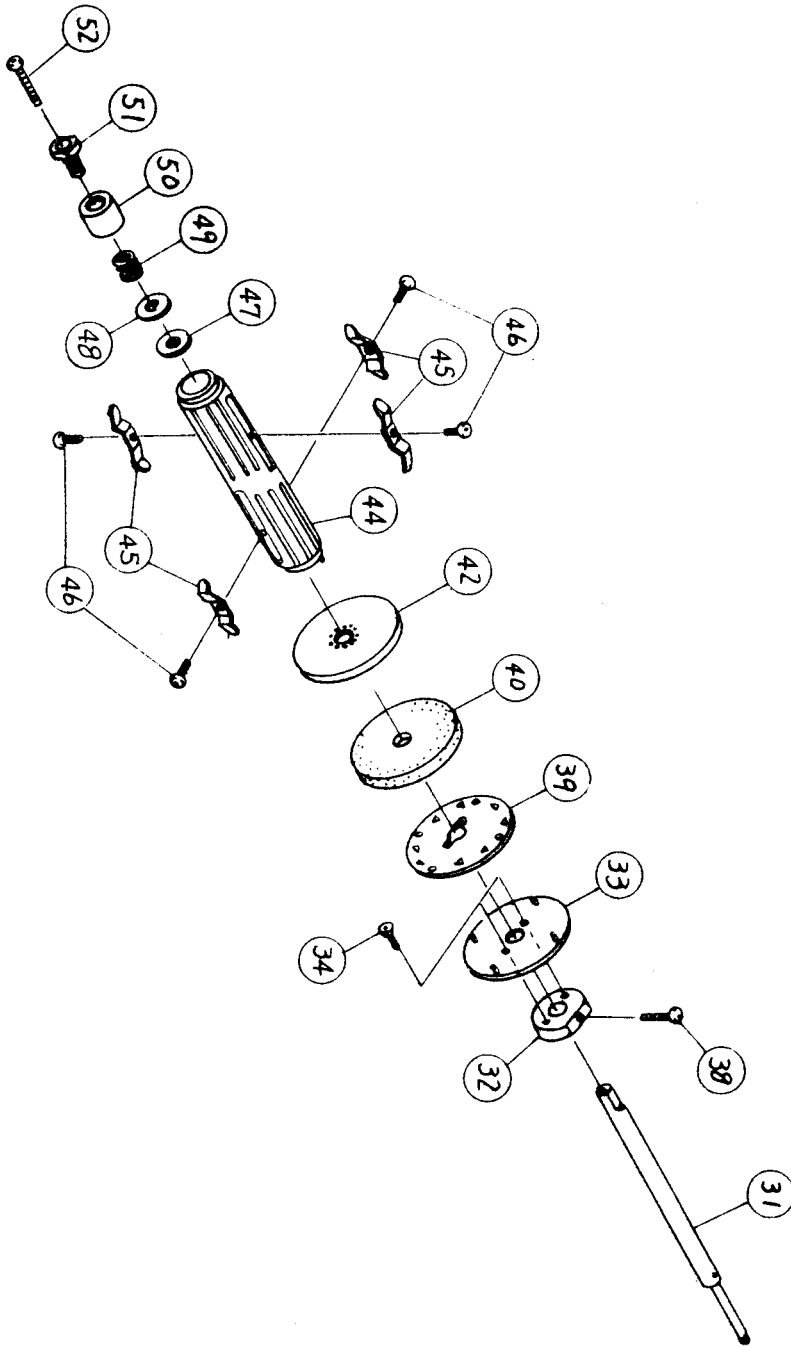
M8490S

Ribbon Assembly



M8490S

Ribbon Assembly



M8490S

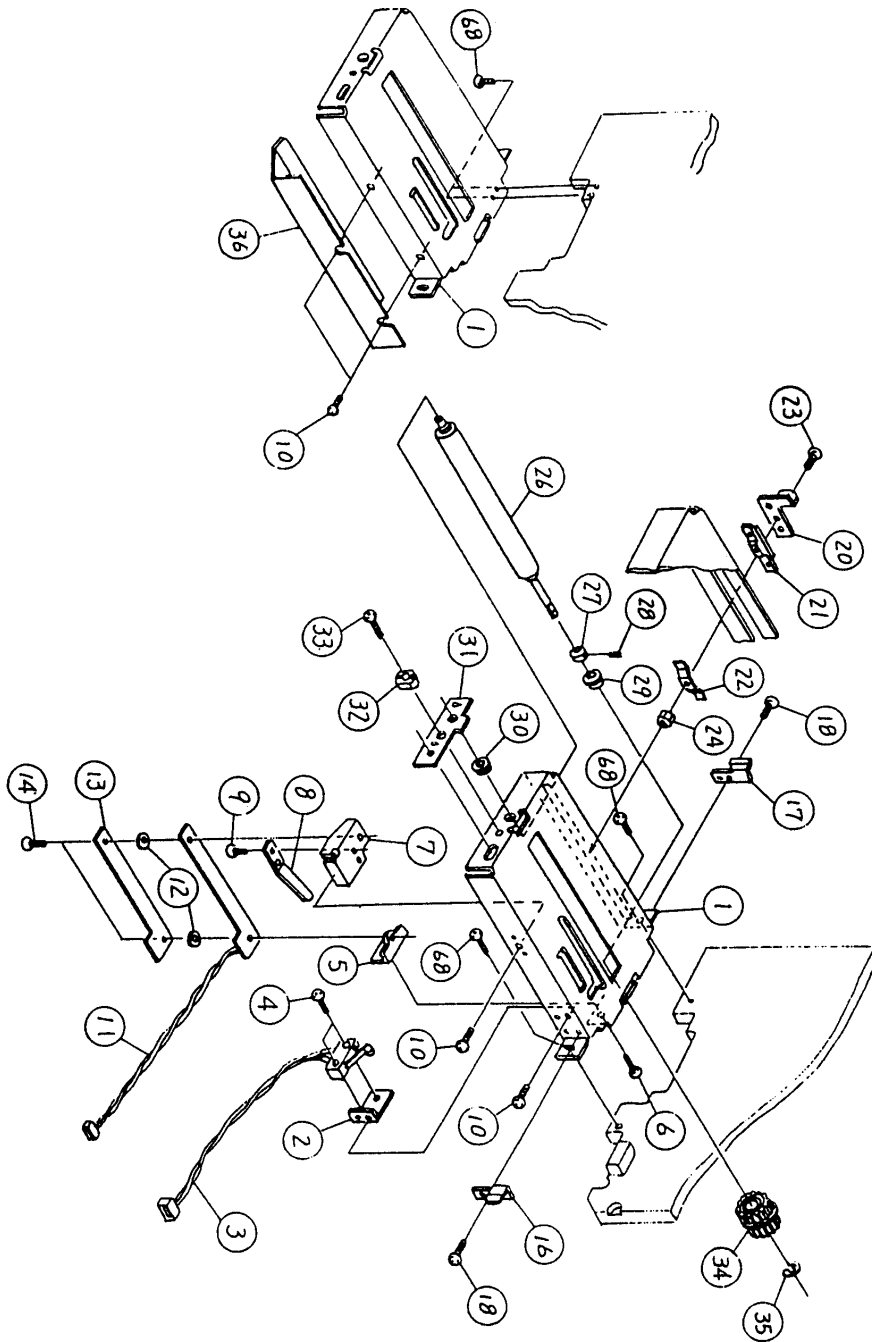
Ribbon Assembly			
Item #	Part Number	Part Description	Qty
1	RH1730400	SEN4 cable	1
2	PA3730200	Sensor bracket (ribbon)	1
3	MA0300622	Pan head screw	2
4	MC0301022	Pan head screw	1
5	PE6720100	Disc plate cover	1
6	MD4300622	Pan head screw	3
7	MD3300822	Pan head screw	1
8	MA0301022	Pan head screw	1
9	MT1300522	Hex nut	1
10	PR4740100	Spring (tension)	1
11	MD4300622	Pan head screw	2
14	RC2730200	Ribbon sub (unwind)	1
15	RC2730300	Ribbon sub (rewind)	1
17	PT1112080	Ball supporter	4
18	PR1730800	Pulley	1
19	ND0060030	E-snap ring	2
20	PT8085064	Timing belt	1
21	PA1730600	Ribbon frame	1
22	MC0401022	Pan head screw	4
23	PV9730100	Bushing	1
24	PA1731000	Adjust plate	2
25	MD4300622	Pan head screw	4
26	MD4400822	Pan head screw	1
31	PB0731200	Shaft (ribbon)	2
32	PE4720200	Plate holder boss	2
33	PA0730100	Guide plate	2
34	MH1250621	Screw	4
35	MT1300522	Hex nut	1
36	MA0302522	Pan head screw	1
37	PC0730100	Spring (back)	1
38	MA0301821	Pan head screw	1
39	PA0730200	Hold plate	2
40	PA0680300	Lining	2
41	PE7720100	Disc plate (A)	1

M8490S

Ribbon Assembly			
Item #	Part Number	Part Description	Qty
42	PE1681100	Guide plate (B)	1
44	PR1730900	Ribbon boss	2
45	PA4690900	Spring	8
46	MH0300521	Screw	8
47	PT2301020	Bushing	2
48	PA0680400	Disc	2
49	PC1730100	Spring	2
50	PE2730100	Stopper collar	2
51	PB5730100	Adjust screw	2
52	MA0302522	Pan head screw	2

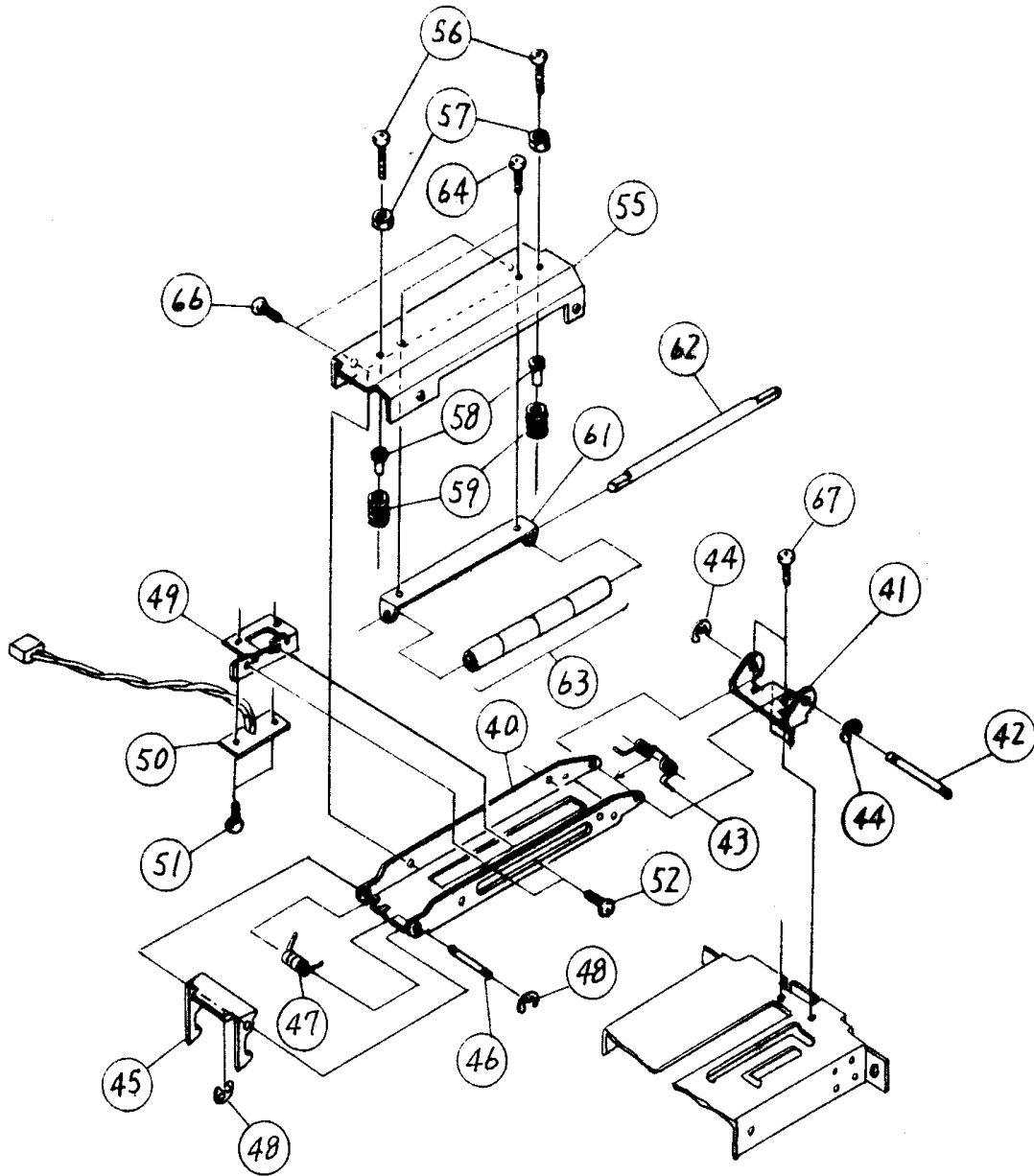
M8490S

Feed Roller Assembly



M8490S

Feed Roller Assembly



M8490S

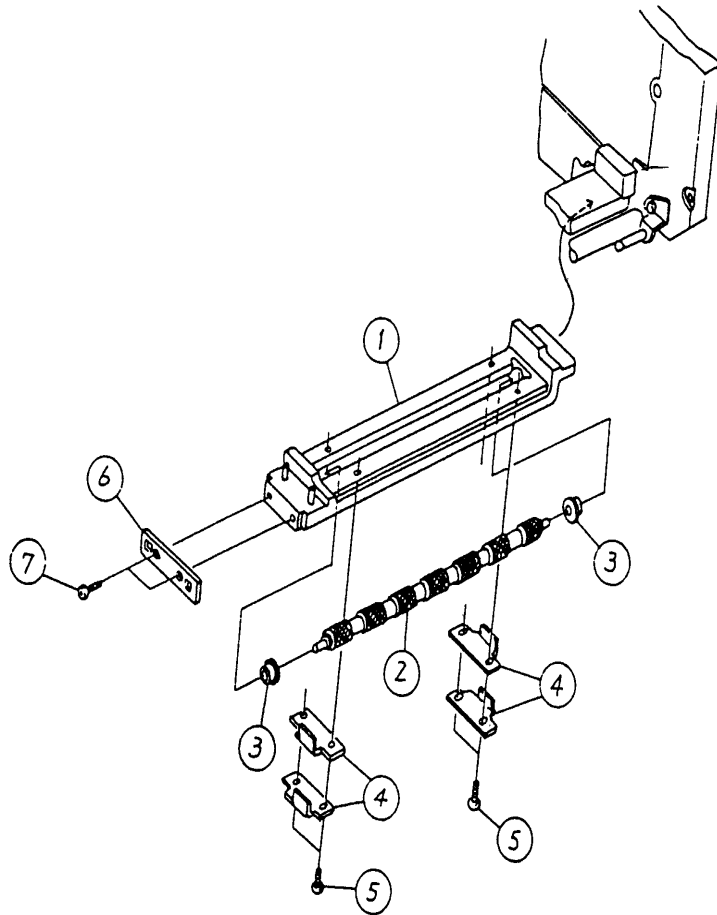
Feed Roller Assembly			
Item #	Part Number	Part Description	Qty
1	PR4730101	Paper guide bracket	1
2	PA3732700	Micro switch bracket	1
3	RH1731500	SEN7 cable	1
4	MA0200821	Pan head screw	2
5	PA3730500	PCB bracket	1
6	MC0300622	Pan head screw	1
7	PA3730600	PCB bracket (D)	1
8	PA4730200	Lift spring	1
9	MD4300622	Pan head screw	1
10	MD4300622	Pan head screw	2
11	RH1730900	SEN1 cable	1
12	PT9680500	Spacer	2
13	PA1730800	PCB protector	1
14	MD4300822	Pan head screw	2
16	PA3731400	Paper guide	1
17	PA3731500	Paper guide (L)	1
18	MJ9300622	Screw	2
20	PA3731600	Slide guide	1
21	PE1730200	Slider	1
22	PA4730100	Slide spring	1
23	MA0301022	Pan head screw	1
24	MT1300522	Hex nut	1
26	PR0730100	Platen roller assy	1
27	PB2730100	Collar	1
28	MJ1300424	Screw	1
29	PT1112060	Ball supporter	1
30	PT1109050	Ball supporter	1
31	PA1730100	Supporter clamp	1
32	PL2720100	Adjust collar	1
33	MD4300822	Pan head screw	1
34	PE8730200	Pulley	1
35	ND0040030	E-snap ring	1
36	PA3734600	Paper guide	1
40	PA3731100	Paper lid (low)	1
41	PA3734700	Lid bracket	1

M8490S

Feed Roller Assembly			
Item #	Part Number	Part Description	Qty
42	PB0731000	Shaft (lid)	1
43	PC2730200	Spring (open)	1
44	ND0020030	E-snap ring	1
45	PA3731700	Latch handle	1
46	PB0730900	Shat (latch)	1
47	PC2730100	Spring (latch)	1
48	ND0020030	E-snap ring	1
49	PA3731200	Sensor bracket (pitch)	1
50	RH1731000	SEN2 cable	1
51	MD4300622	Pan head screw	2
52	MJ9300622	Thin head screw	2
55	PA3731000	Paper lid (up)	1
56	MA0301022	Pan head screw	2
57	MT1300522	Hex nut	2
58	PE2730300	Stopper collar	2
59	PC1730300	Spring (pressure)	2
61	PA3731300	Roller bracket	1
62	PB0730800	Shaft (pressure roller)	1
63	PE3720200	Roller	4
64	MA0300422	Pan head screw	2
66	MC0300622	Pan head screw	2
67	MN0300624	Hex bolt	2
68	MN0300824	Hex bolt	4

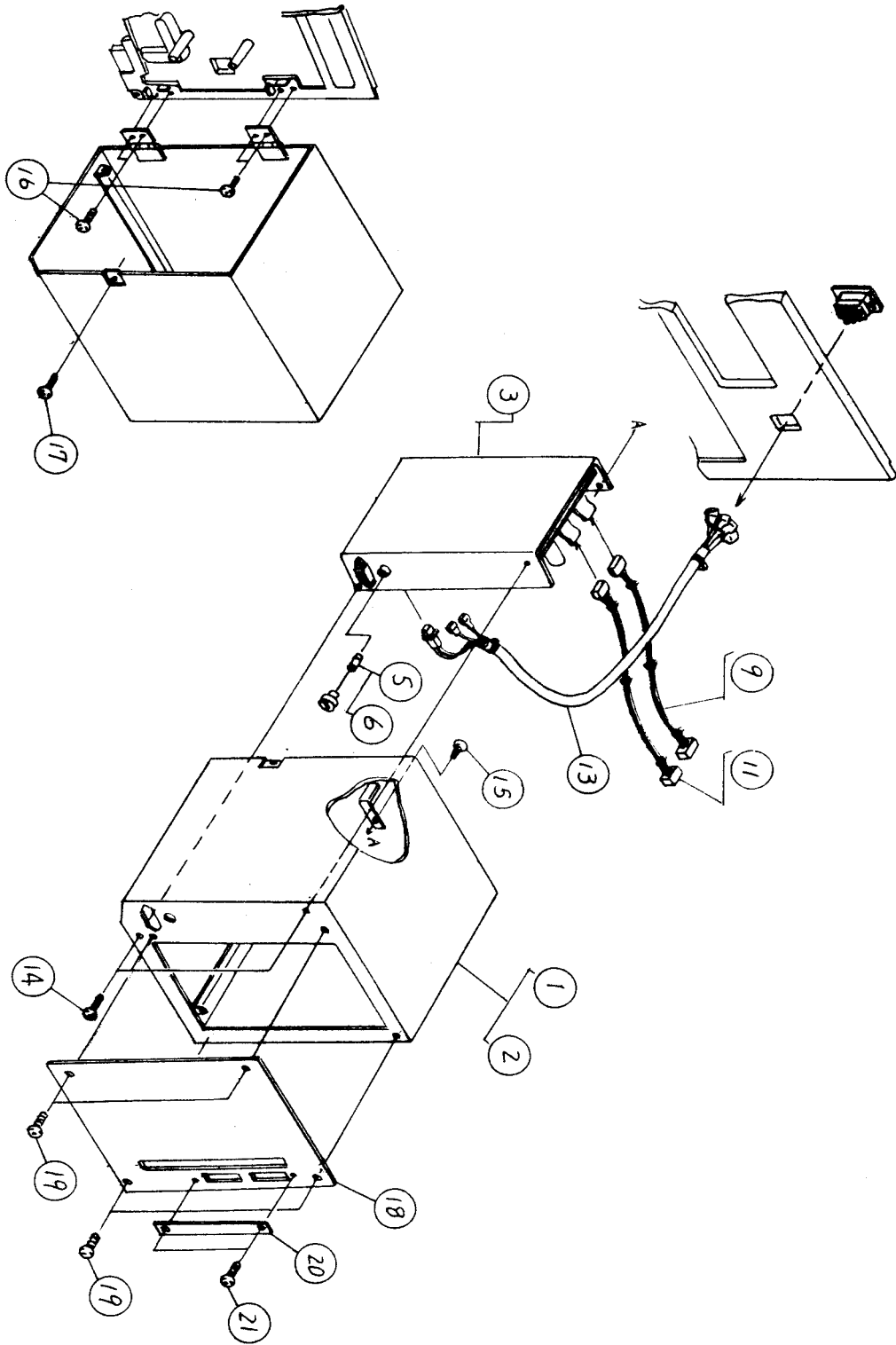
M8490S

Pressure Roller Assembly			
Item #	Part Number	Part Description	Qty
1	PR1730100	Roller holder	1
2	PB0731800	Pressure roller	1
3	PT1108040	Ball supporter	2
4	PA4730300	Plate spring	4
5	MJ9300622	Screw	4
6	PA1730400	Stopper plate	1
7	MC0300622	Pan head screw	2



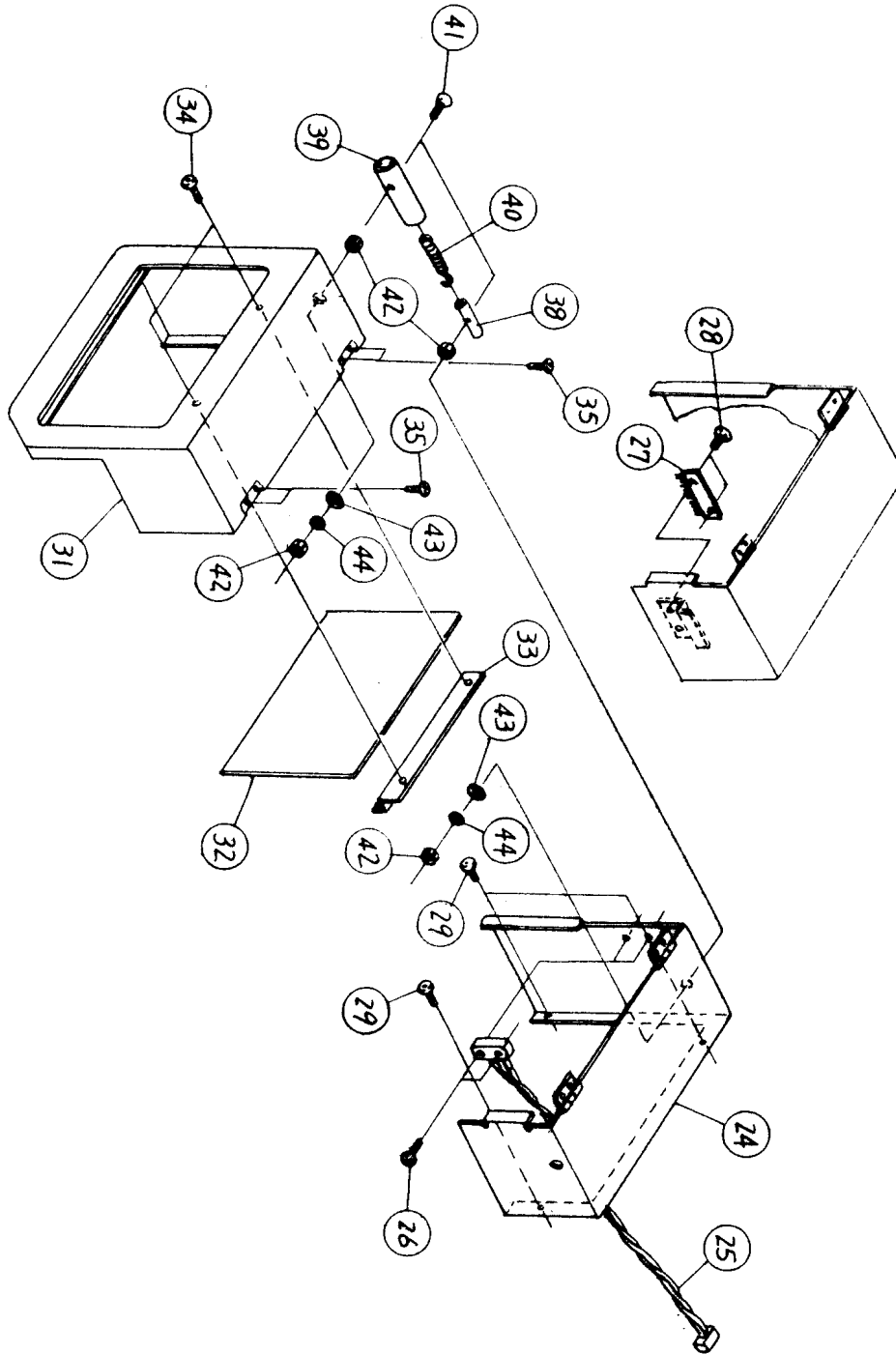
M8490S

Cover Assembly



M8490S

Cover Assembly

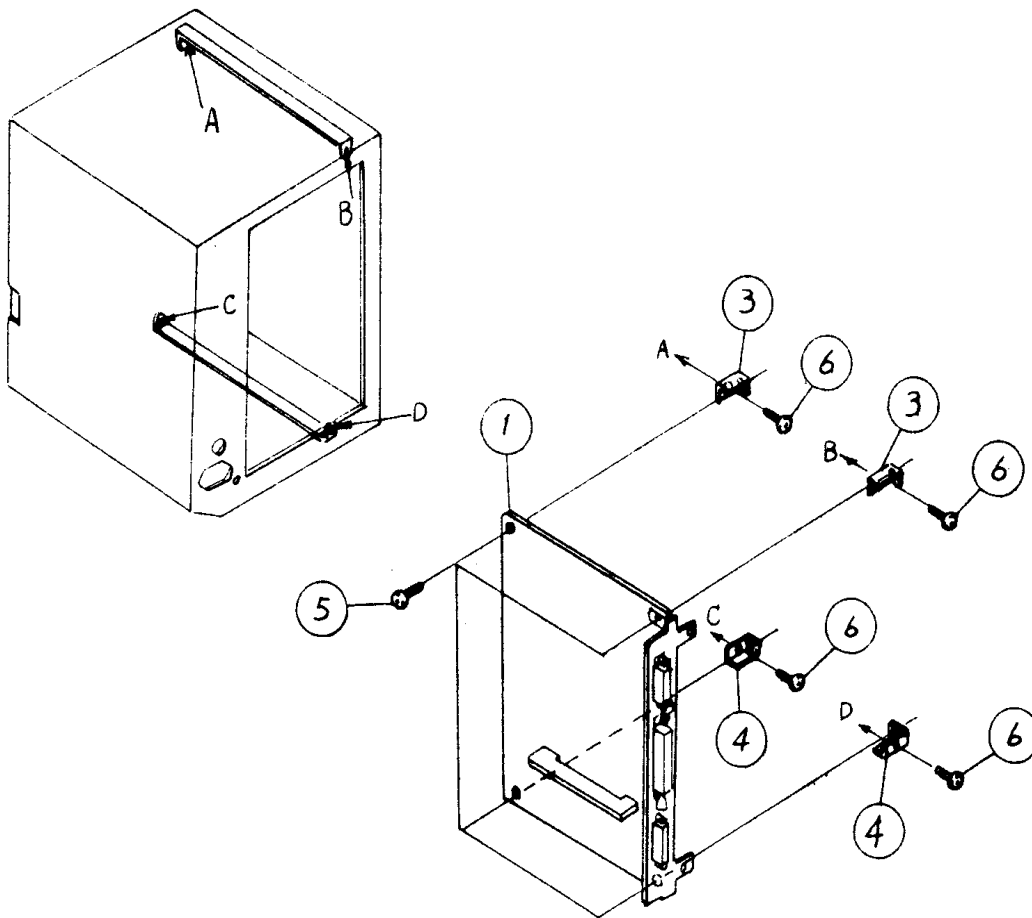


M8490S

Cover Assembly			
Item #	Part Number	Part Description	Qty
2	PH1731701	Close cover (A)	1
3	PR7730100	Power supply (115V)	1
5	HD100301A	Fuse	1
9	RH1730100	POW1 cable	1
11	RH1730200	POW2 cable	1
13	RH1730500	POW SW cable	1
14	MC0301022	Pan head screw	2
15	MC0401022	Pan head screw	1
16	MC0301022	Pan head screw	4
17	MC0401022	Pan head screw	1
18	PH1730300	Close cover (B)	1
19	MC0300622	Pan head screw	4
20	PA1730900	Sub cover	1
21	MC0300622	Pan head screw	2
24	PR1731000	Cover bracket	1
25	RH1730800	SEN6 cable	1
26	MA0200821	Pan head screw	2
27	PR1340500	Anti-static brush	1
28	MD4300622	Pan head screw	2
29	MC0301022	Pan head screw	3
31	PH1730601	Open cover (A)	1
32	PH2730100	Open cover (B)	1
33	PH1730700	Set plate	1
34	MA7300625	Truss screw	2
35	MA7300625	Truss screw	4
38	PE6730300	SP case (A)	1
39	PE6730400	SP case (B)	1
40	PC0090300	Spring	1
41	PB0013700	Spring shaft	2
42	MT3020621	Hex nut	4
43	NA1060022	Plain washer	2
44	NB0060022	Spring washer	2

M8490S

Main PCB Assembly			
Item #	Part Number	Part Description	Qty
1	RJ1730300	Main PCBA assy.	1
3	PA3730300	PCB bracket (A)	2
4	PA3730400	PCB bracket (B)	2
5	MD4300622	Pan head screw	4
6	MD3301022	Pan head screw	4



M8490S

Memory Upgrade Assembly (Option)			
Item #	Part Number	Part Description	Qty
1	RJ1723100	Card PCB set	1
2	PT9730000	Spacer	4
3	MD3300622	Pan head screw	8

