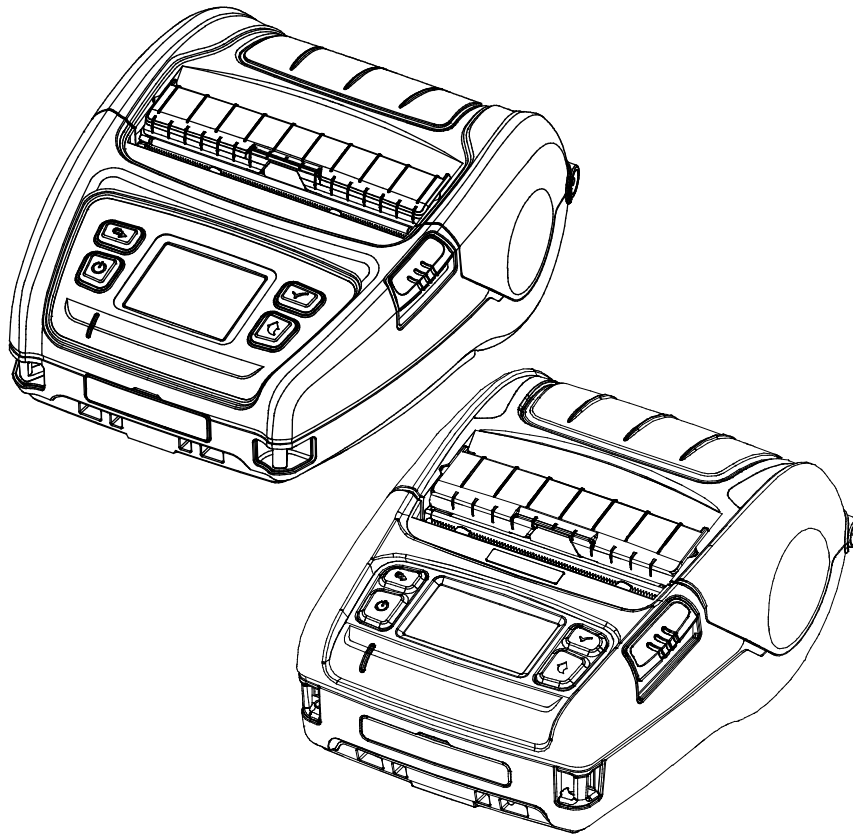




Paper Specifications

PV3/PV4

BARCODE PRINTER
Ver. 1.00



※ About this manual

This manual contains paper specifications needed to use barcode printer.

1. Label paper

1-1 Paper specifications

Model	Paper Width	Outer Diameter of Paper Roll	Inner Diameter of Paper Core	Length of Paper (Reference)
PV3	25~80 ± 0.5 mm (3.13" ± 0.2")	Max. Ø66 mm (Max. Ø2.6")	19mm (0.75")	19.5m (63.97')
PV4	10 ~112 ± 0.5 mm (3.13" ± 0.2")	Max. Ø66 mm (Max. Ø2.6")	19mm (0.75")	19.5m (63.97')

1-2 Quantity of label (Reference)

Model	Outer Diameter of Paper Roll	Length of Label					
		1"	2"	3"	4"	5"	6"
PV3, PV4	Max. Ø66 mm (Max. Ø2.6")	685	360	245	185	150	-

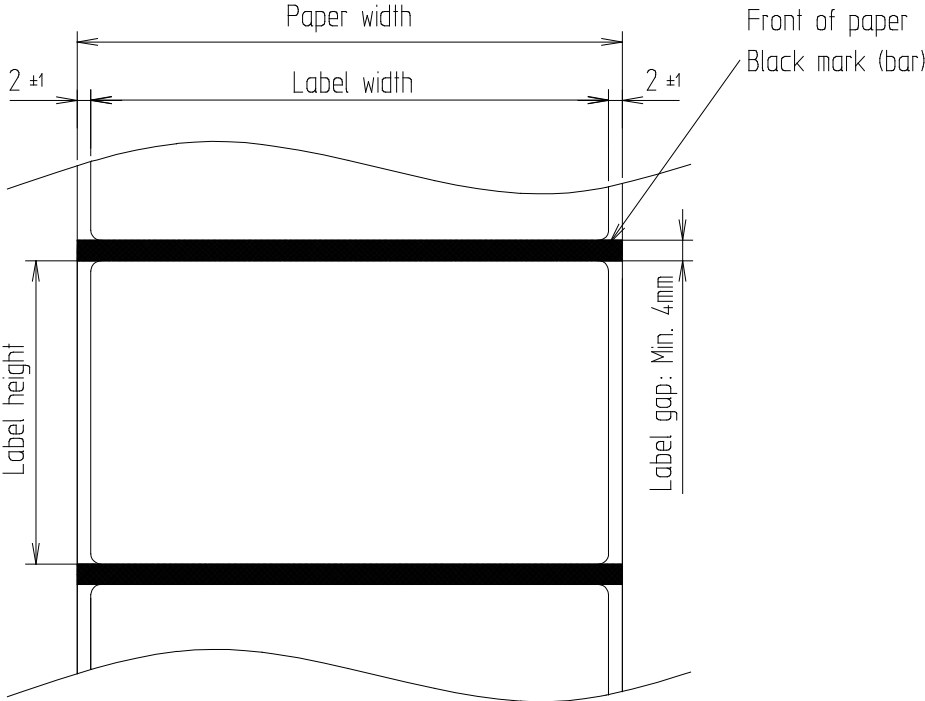
1-3 Black mark specifications

1) Available black mark location by model

Model	Black mark location					
	Middle of front (Standard)	Right of front (0)	Left of front (4)	Middle of rear (2)	Right of rear (1)	Left of rear (3)
PV3, PV4	O	X	X	O	X	X

NOTE) Front is side to be printed

2) Dimension of Label paper and black mark



3) Density of black mark : Optical density 0.84 ~ 1.34
(Based on the Macbeth measuring instrument)

Copyright

© SATO CORPORATION. All rights reserved.

This user manual and all property of the product are protected under copyright law. It is strictly prohibited to copy, store, and transmit the whole or any part of the manual and any property of the product without the prior written approval of SATO CORPORATION.

The information contained herein is designed only for use with this SATO product. SATO is not responsible for any direct or indirect damages, arising from or related to use of this information.

- The SATO logo is the registered trademark of SATO CORPORATION.
- All other brand or product names are trademarks of their respective companies or organizations.

SATO maintains ongoing efforts to enhance and upgrade the functions and quality of all our products.

In the following, product specifications and/or user manual content may be changed without prior notice.

Caution

Some semiconductor devices are easily damaged by static electricity. You should turn the printer "OFF", before you connect or remove the cables on the rear side, in order to guard the printer against the static electricity. If the printer is damaged by the static electricity, you should turn the printer "OFF".

