


# TURN-O-MATIC INSTALLATION GUIDE

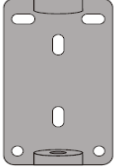
WIRED SYSTEM






# SYSTEM PARTS LIST WIRED SYSTEM



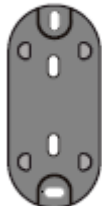
(1) Dispenser



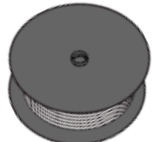
(1) Dispenser Mounting Bracket



(3) Large Slotted Screw  
(2) Large Slotted Bolt  
(2) Nut



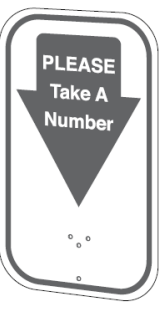
(1) Flat Display Wall Mount Bracket




(100') Electrical Wire


(2) Data Cable Connector  
(1) Power Connector




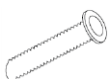
(1) TOM Sign





(1) Label Sheet



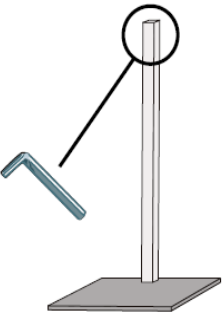
(1) 2 Digit Indicator

(2) Large Phillips Screw  
(2) Wall Anchor

(3) Push Button  
(6) Slotted Screws



(1) Mounting Stand



(1) AC Power Supply

### TOOLS NEEDED



Large Flathead Screwdriver



Phillips Screwdriver



Mini Flathead Screwdriver



Wire Cutters

# OPERATION & INSTALLATION DISPENSER

## OPERATION

1. The customer takes a number from the dispenser; this number will indicate the customer's spot in the queue
2. The customer will be notified of their turn when their number is displayed on the indicator
3. The associate will use the programmed (+) push button to advance the display one number at a time
4. Press and hold the (+) pushbutton to advance the numbers by tens
5. Use the programmed (-) push button to go back one number at a time

## NUMBER DISPENSER

Number dispenser may be mounted to either the wall or stand

## WALL MOUNTING

1. Measure and mark the mounting holes on the wall using the dispenser mounting bracket as a template (Figure 1)
2. Drill holes using a 3/16" to 5/16" drill bit
3. Use the wall anchors if mounting the dispenser to a surface other than solid wood
4. Position the sign and dispenser mounting bracket over the holes in the wall and fasten with two slotted screws (Figure 2)
5. Snap the dispenser into the mounting bracket (Figure 3)

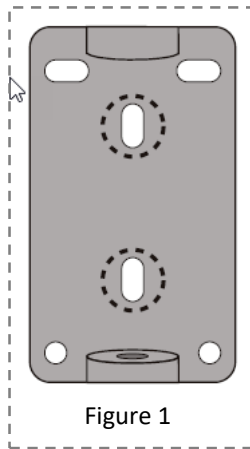


Figure 1

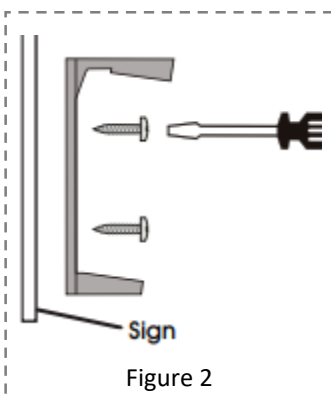


Figure 2

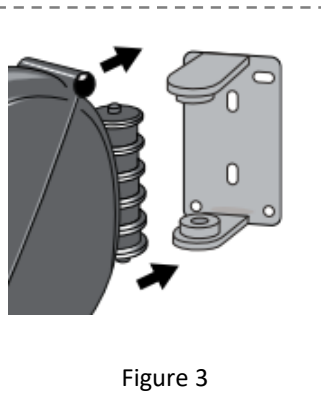


Figure 3

## STAND MOUNTING

1. Position the mounting stand in the desired location on a countertop
2. Align the holes in the sign and the mounting bracket with the holes in the post. Push the two large slotted bolts through bracket and sign and secure with the provided nuts (Figure 4)
3. Snap the dispenser into the mounting bracket (Figure 3)

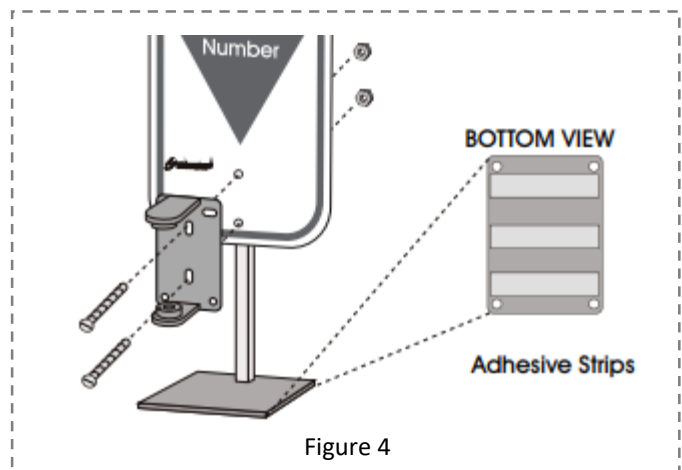


Figure 4

## LOADING DISPENSER

1. Pull the locking bar down to open the dispenser
2. Place the roll of tickets in the dispenser, making sure the numbers are facing up and the roll out from the bottom (Figure 5)
3. Pull the end of the roll of tickets through the dispenser and securely shut the dispenser by snapping the locking bar back into place

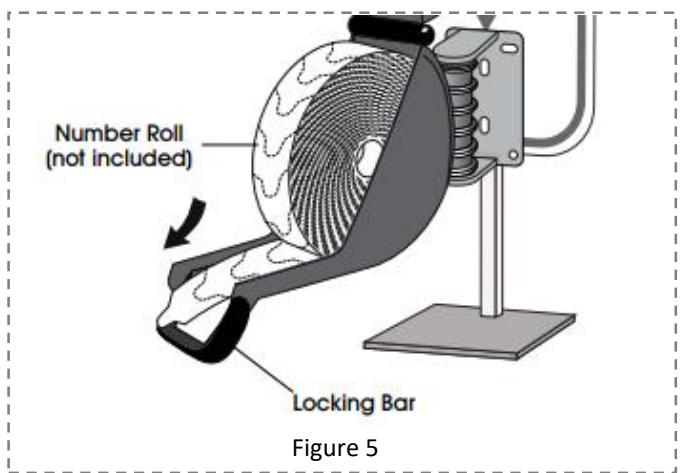


Figure 5

# OPERATION & INSTALLATION DISPLAY

## ELECTRONIC DISPLAY WALL MOUNTING

1. Identify a suitable position for the indicator assuring the display is easily seen by the customers
2. Measure and mark the mounting holes on the wall using the display wall mount bracket as a template (Figure 6)
3. Drill holes using a 5/16" drill bit
4. Use the wall anchors if mounting the indicator to a surface other than solid wood wall
5. Position the display wall mount bracket over the drilled holes and secure with two large Phillips screws (Figure 7)

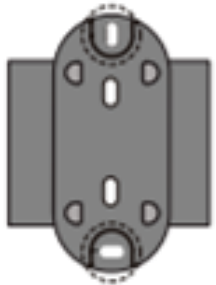


Figure 6

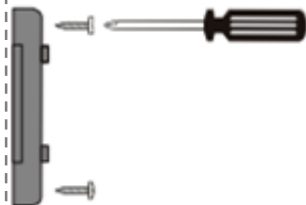


Figure 7

## WIRING PUSH BUTTONS



**WARNING!** Electrical Shock hazard. Do not connect the display to power until all push buttons and power connections are complete. Serious electric shock, injury or death may result.

The Take-A-Number System includes three push buttons. Set two push buttons to advance numbers and one to go back to a previous number.

1. Cut a length of electrical wire to reach from each push button location to display
2. Strip wire ends about 1/2" (Figure 8)
3. On the underside of one push button: Loosen screws. Wrap one wire end around one screw post and wrap the other wire end around the other screw post. Tighten the screws to secure wires (Figure 9)
4. Secure push button to surface using the two included slotted screws (Optional)
5. Repeat steps 1-3 with the two remaining push buttons

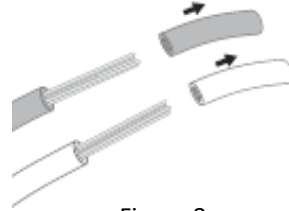


Figure 8



Figure 9

## WIRING PUSH BUTTONS TO DATA CONNECTORS

1. Strip wire ends about 1/2" for all three push buttons. (Figure 8)
2. Each data connector has three numbered ports. Loosen screws on ports 2 and 3 with a mini flathead screwdriver
3. For (+) push buttons: Twist the same color wires together from two of the push buttons (copper to copper, silver to silver). Insert the twisted wires into ports 2 and 3 on one data connector. Tighten screws to secure wires (Figure 10)
4. For (-) push button: Use the wire from one remaining push button. Insert the wires into ports 2 and 3 on the second data connector. Tighten screws to secure the wires (Figure 10)

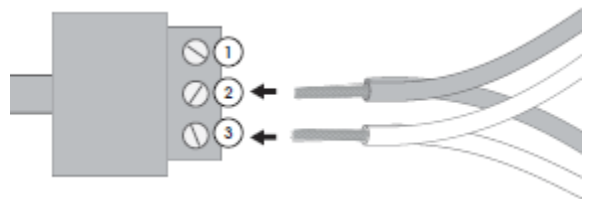


Figure 10

## PLUGGING DATA CONNECTORS INTO DISPLAY

1. Plug the data connector with two push buttons attached into the (+) jack on the back of the display (Figure 11)
2. Plug the other data connector with the single push button attached into the (-) jack on the back of the display (Figure 11)

## PLUGGING DATA CONNECTORS INTO DISPLAY CONT.

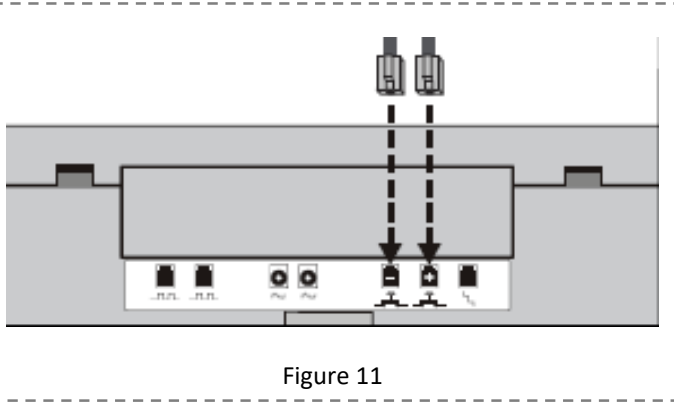


Figure 11

3. Mark which push button is plugged into the (+) and (-) jacks

(+) Push button advances the numbers

(-) Push button goes back to previous numbers

## WIRING AC POWER SUPPLY



**WARNING!** Do not connect the display to power until all push buttons and power connections are complete. Serious electrical shock, injury or death may result.

1. Cut a length of electrical wire that will reach from the electrical outlet to the display location
2. Strip wire ends about 1.5" (Figure 12)
3. Loosen both screws on the bottom of the AC power supply
4. Attach one wire to each screw post underneath the metal plates. Tighten screws to secure wires (Figure 13)

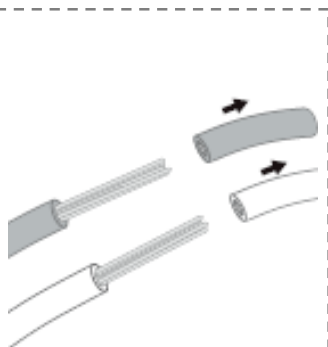


Figure 12

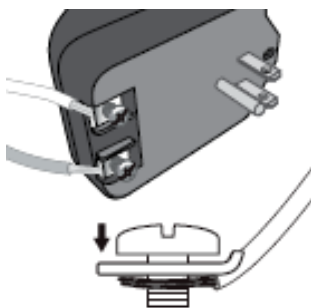


Figure 13

## WIRING AC POWER SUPPLY TO POWER CONNECTOR

1. The power connector has two parts. Loosen both small screws using the mini flathead screwdriver
2. Insert one wire end into each port. Tighten screws to secure wires (Figure 14)

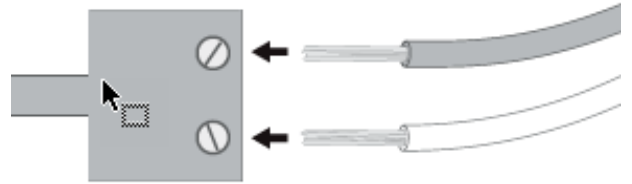


Figure 14

3. Plug the power connector into either of the two power receptacles located on the back of the display (Figure 15)
4. Plug the AC power supply into the nearest outlet

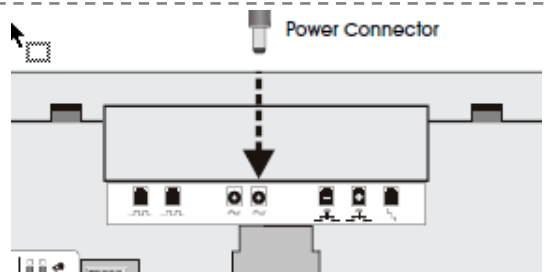


Figure 15

## SET-UP

### SOUND & TONE VOLUME

Use a mini flathead screwdriver to change the tone and volume switches on back of the display (Figure 12)

#### TONE

No Sound:	1-OFF1	2-OFF
Single Tone:	1-OFF	2-ON
Double Tone:	1-ON	2-OFF
Triple Tone:	1-ON	2-ON

#### VOLUME

Low Volume:	3-OFF	4-OFF
Medium Volume:	3-ON	4-OFF
High Volume:	3-OFF	4-ON
Highest Volume:	3-ON	4-ON

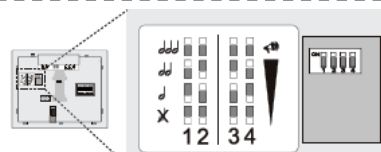


Figure 16

## DISPLAY START-UP

Once powered on, the display will show a number of messages upon start-up (Figure13)

### DISPLAY SHOWS

- Program Version: "P-", then number
- TOM-Net Address: "ad", then 51 or 21
- Last Number Displayed When The Power Has Been Disconnected: Number, (00 if first-time start-up)
- Error Message if Displayed is Set as a Duplicate Master: "Ed"

## OPTIONAL DISPLAY SET-UP

- To enter setup options, make sure the display is unplugged.
- Hold down (+) on the wireless push button and plug the display back in.
- Release (+) when the display reads "UP"

### SET DISPLAY UPDATE DELAY:

- Display shows "UP" followed by the current delay time in seconds, (ex. "00"). Press (+) on the wireless push button to increase the delay one second at a time
- After three without pushing the button, the set display sleep time "SL" appears

## OPTIONAL DISPLAY SET-UP CONT.

### SET DISPLAY SLEEP TIME:

- Display shows "SL" followed by the current delay time in minutes. (The display shuts off after a set periods of the time with no button pushes.) Press (+) on the wireless push button to increase the delay before the display goes into sleep mode one minute at a time
- After three seconds without pushing the button the set display flashes and "FL" appears

### SET DISPLAY FLASHES WHEN NUMBER CHANGES:

- Display shows "FL" followed by the current setting showing number of flashes. Presses (+) on the wireless push button to increase the number of times the display will flash when the number changes one flash at a time

After three seconds without pushing the button, the display shows "CS" and saves the new settings to memory

